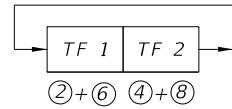
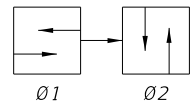
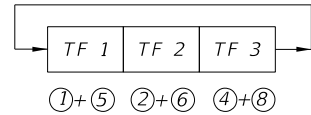
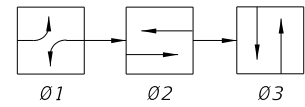


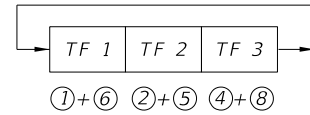
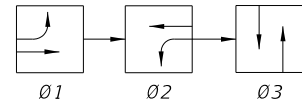
C:\projects\standards\roadway\17800-s\17870-01.dgn
6/29/2012 12:37:09 PM rd960rh



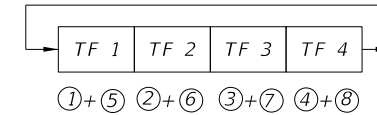
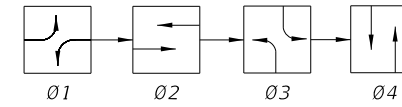
SOP 1



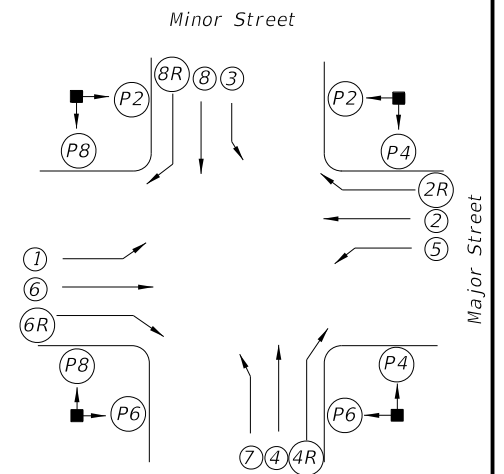
SOP 2



SOP 3



SOP 4

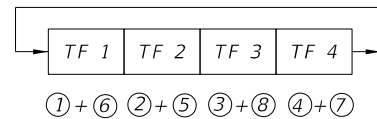
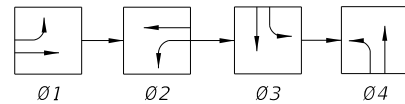


SIGNALIZED INTERSECTION

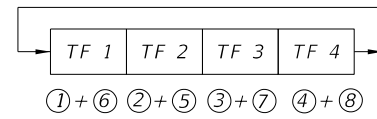
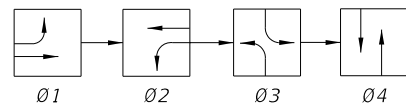
Vehicle movements & signal head number assignments are not directionally oriented but shall maintain their relative orientation about the intersection (I.E., movements 7 and 4 are always to the right of movements 1 and 6 etc.).

LEGEND

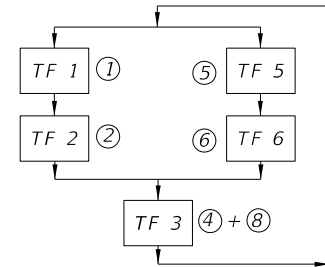
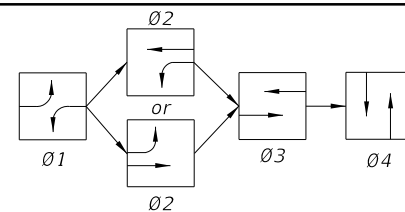
- ⊗ Vehicle Movement Number
- ⊗PX Pedestrian Movement Number
- TF X Timing Function Number
- 0X Phase Number
- ↔ Green Arrow (Left or Right)
- ↔R Red Arrow
- ↔ Yellow Arrow



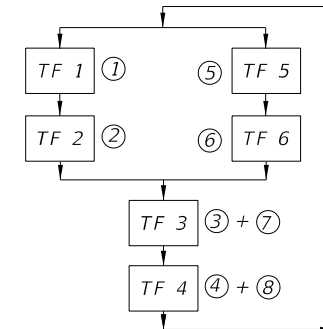
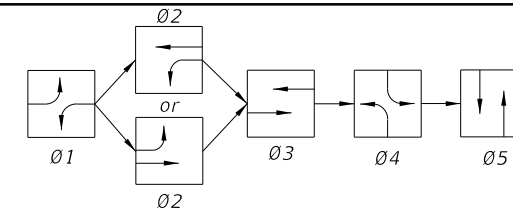
SOP 5



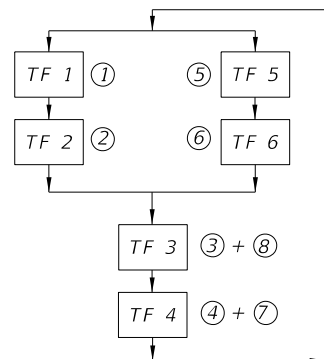
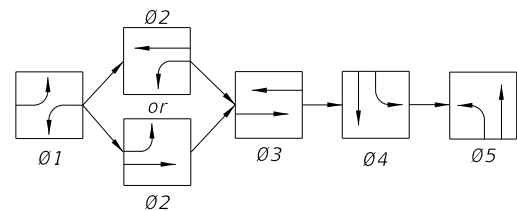
SOP 6



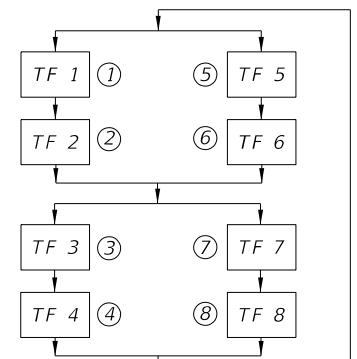
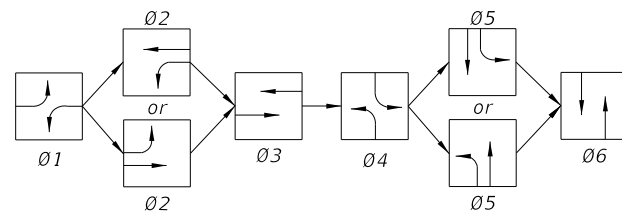
SOP 7



SOP 8



SOP 9



SOP 10

SIGNAL CLEARANCE TABLE
(Blank Indicates No Clearance Required)

From To		SIGNAL INDICATIONS						
		R	↔R	G	↔	↕	WALK	DONT WALK
SIGNAL INDICATIONS	R			Y	↔	Y		
	↔R			Y	↔	Y		
	G				↔			
	↔							
	↕							
	WALK							
	DONT WALK						Flash DONT WALK	

LAST REVISION	DESCRIPTION:
07/01/05	



FDOT DESIGN STANDARDS
2013

STANDARD SIGNAL OPERATING PLANS

INDEX NO.	SHEET NO.
17870	1

C:\projects\standards\roadway\17800-s\17870-02.dgn
6/28/2012 12:37:12 PM rd960/h

