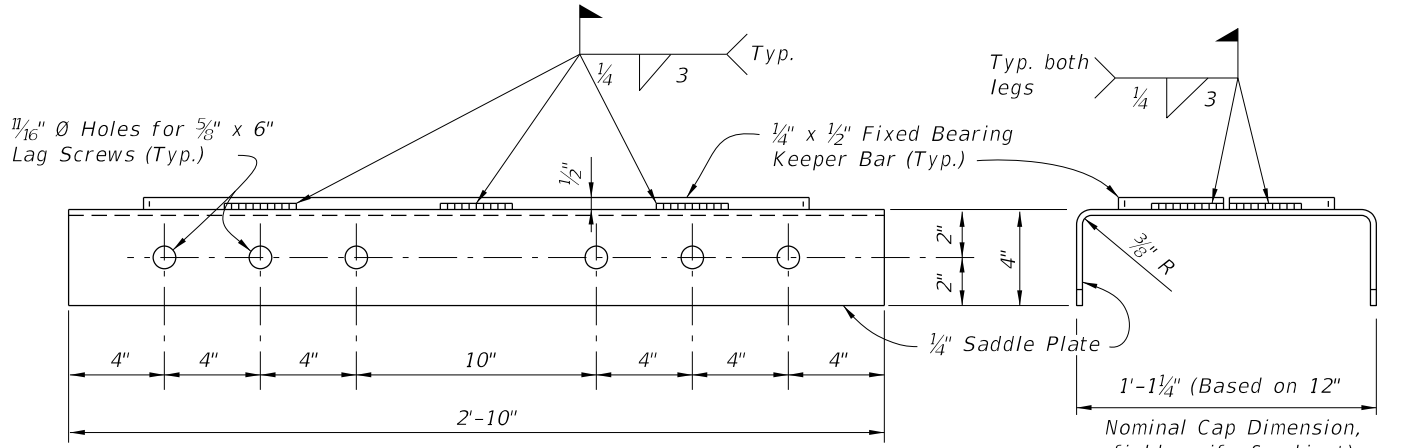
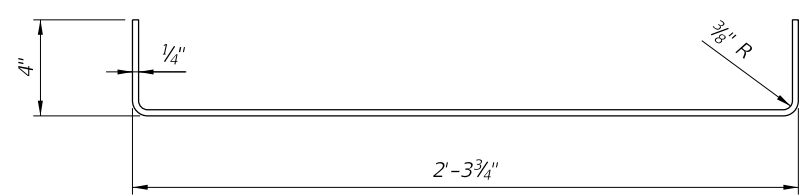


PLAN VIEW



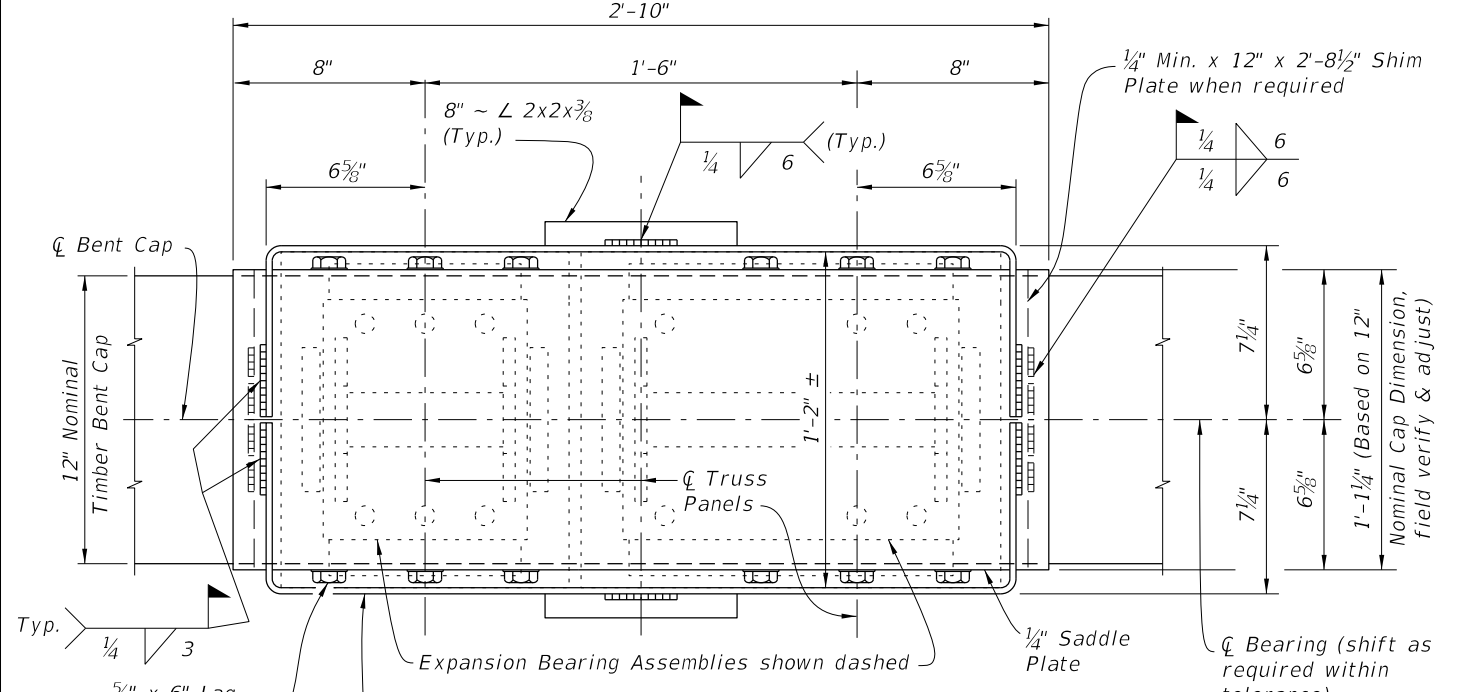
ELEVATION VIEW OF SADDLE PLATE

END VIEW

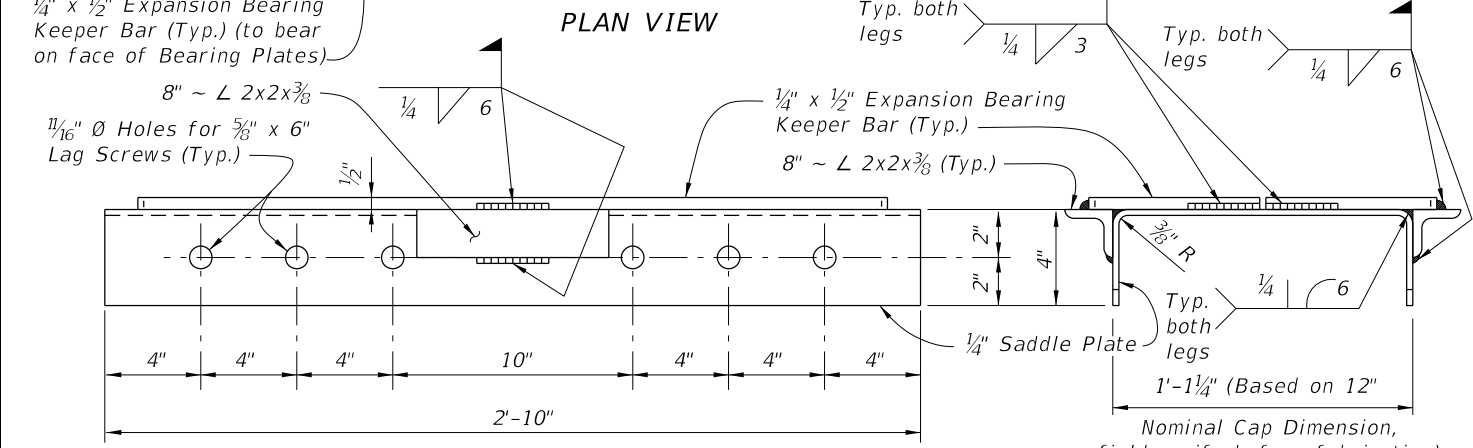


FIXED BEARING KEEPER BAR DETAIL

FIXED BEARING DETAILS

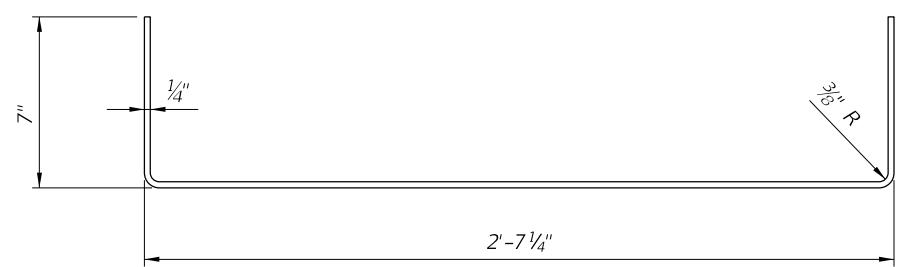


PLAN VIEW



ELEVATION VIEW OF SADDLE PLATE

END VIEW



EXPANSION BEARING KEEPER BAR DETAIL

EXPANSION BEARING DETAILS

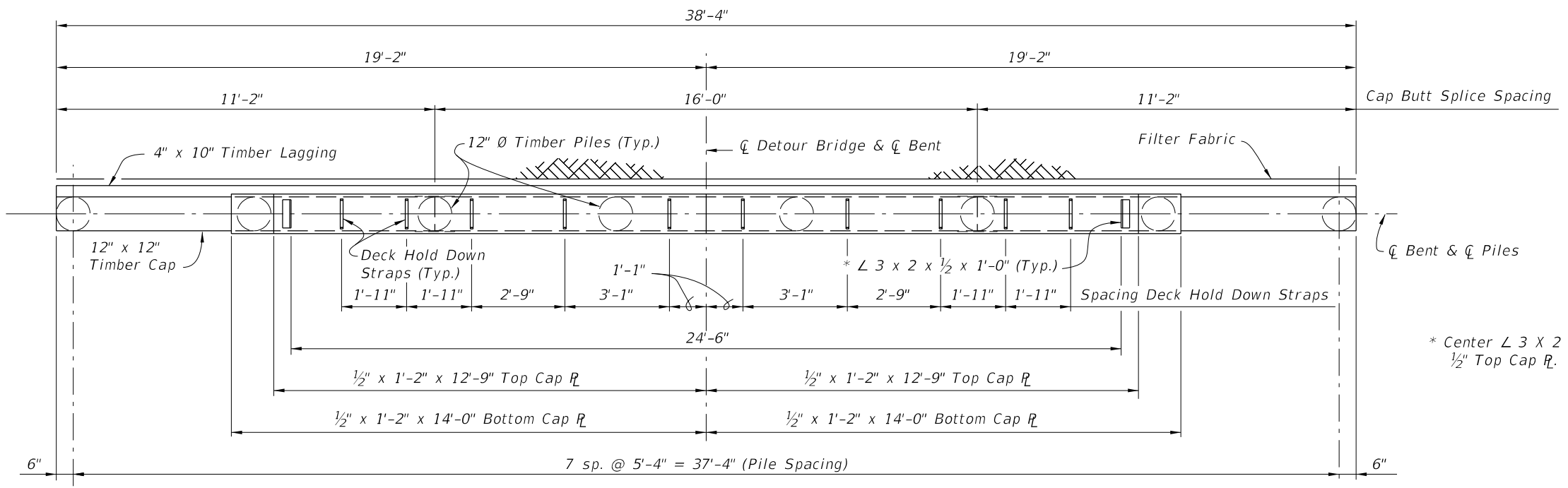
10/26/2016 9:09:52 AM

LAST REVISION	DESCRIPTION:
01/01/16	

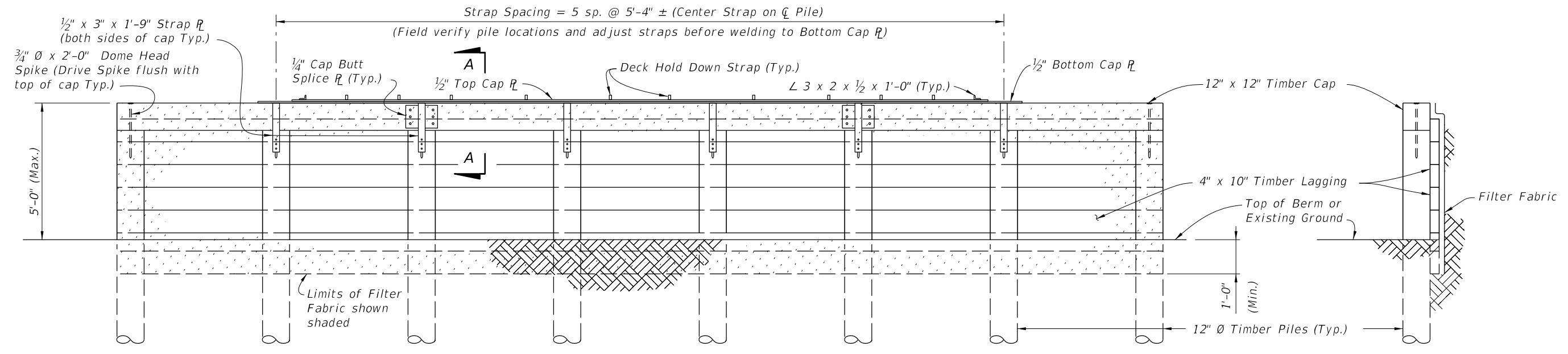

FY 2017-18
DESIGN STANDARDS

TEMPORARY DETOUR BRIDGE DETAILS
TIMBER PILE FOUNDATIONS

INDEX NO. 21610	SHEET NO. 1 of 3
---------------------------	----------------------------



PLAN VIEW



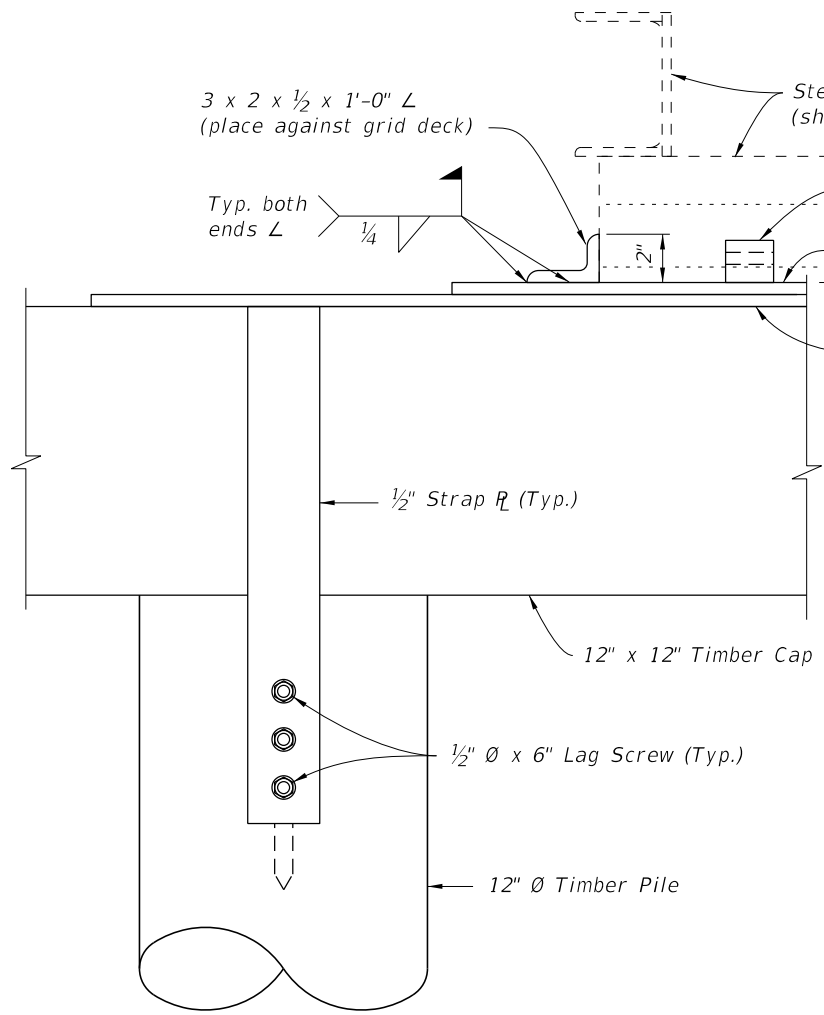
ELEVATION VIEW

END VIEW

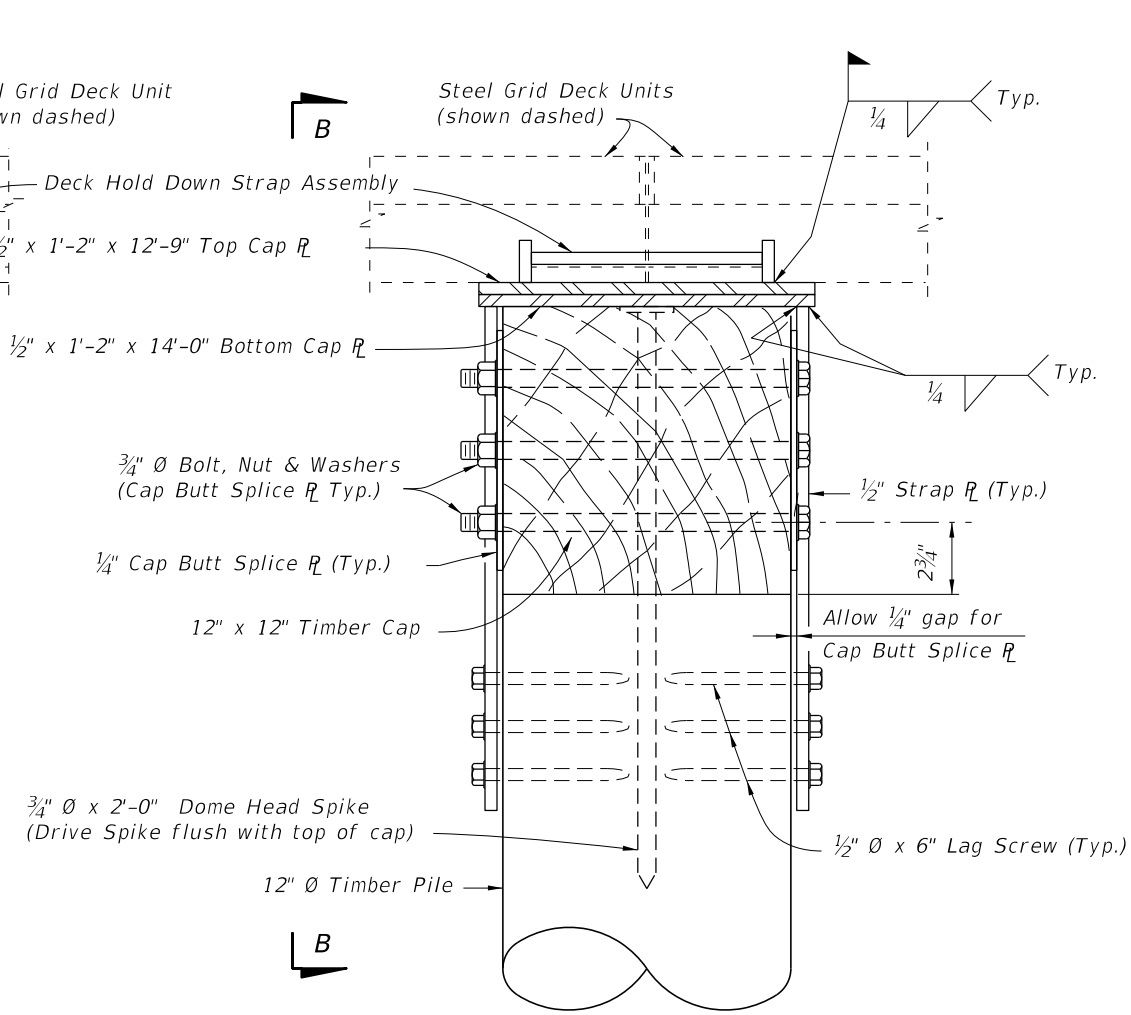
BACKWALL BENT DETAILS

10/26/2016 9:09:54 AM

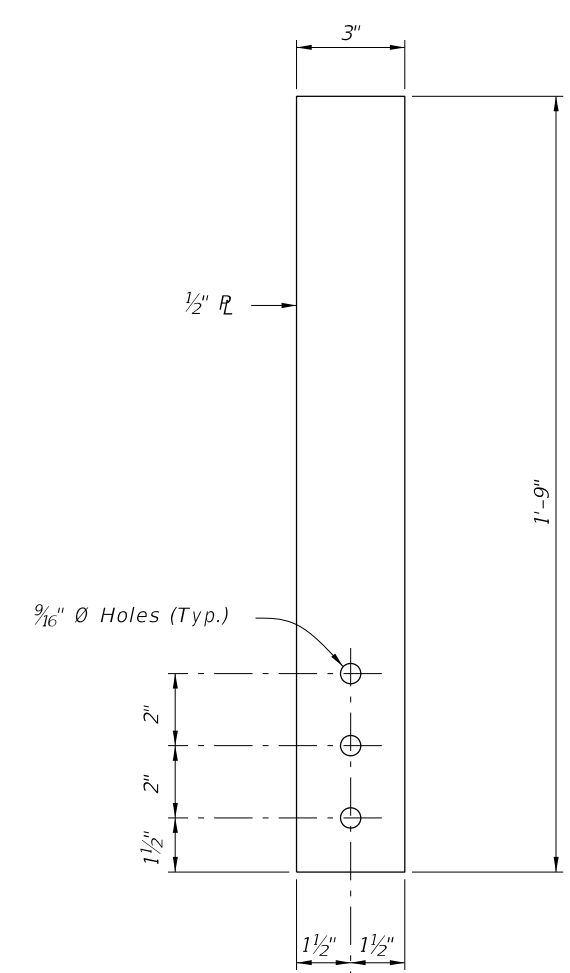
LAST REVISION	07/01/06	DESCRIPTION:	FY 2017-18 DESIGN STANDARDS	TEMPORARY DETOUR BRIDGE DETAILS TIMBER PILE FOUNDATIONS	INDEX NO. 21610	SHEET NO. 2 of 3
---------------	----------	--------------	--------------------------------	------------------------------------------------------------	--------------------	---------------------



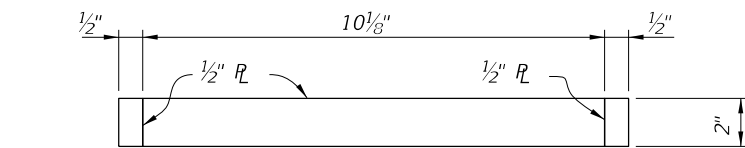
VIEW B-B
 (SHOWING END OF CAP PLATES)



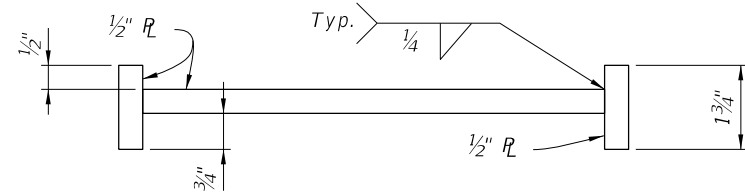
SECTION A-A



STRAP PLATE DETAIL

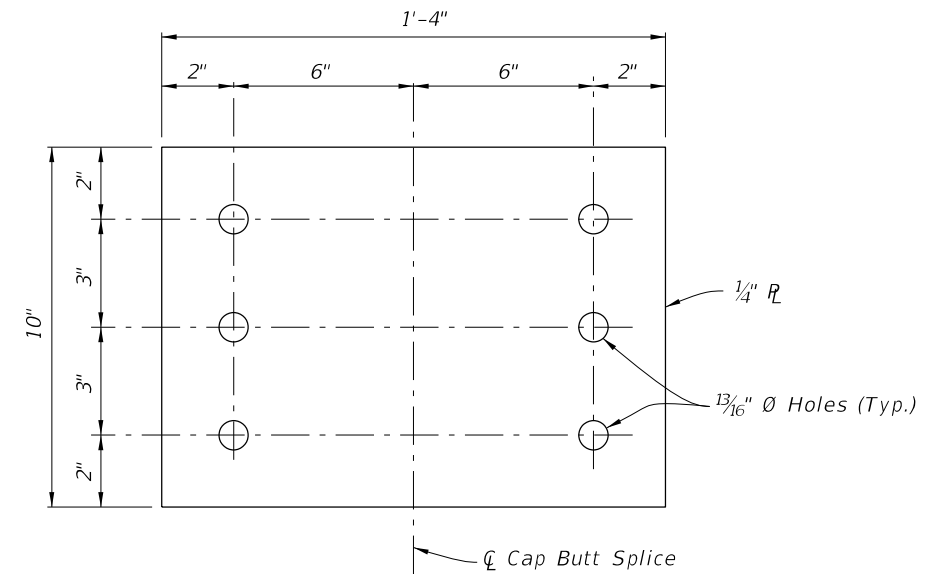


PLAN VIEW



ELEVATION VIEW

HOLD DOWN STRAP ASSEMBLY DETAIL



CAP BUTT SPLICE PLATE DETAIL

BACKWALL BENT DETAILS

10/26/2016 9:09:57 AM

LAST REVISION 07/01/06	DESCRIPTION:
---------------------------	--------------



FY 2017-18
 DESIGN STANDARDS

TEMPORARY DETOUR BRIDGE DETAILS
 TIMBER PILE FOUNDATIONS

INDEX NO.
 21610

SHEET NO.
 3 of 3