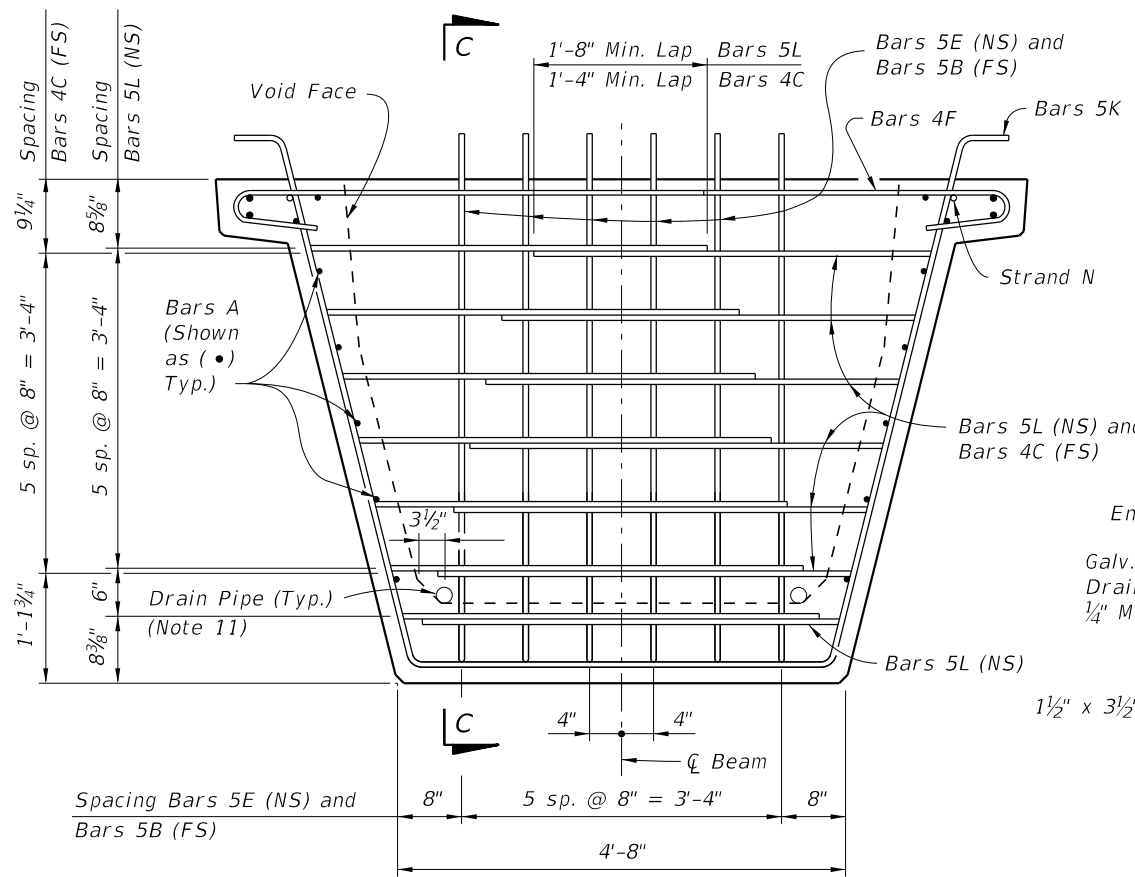
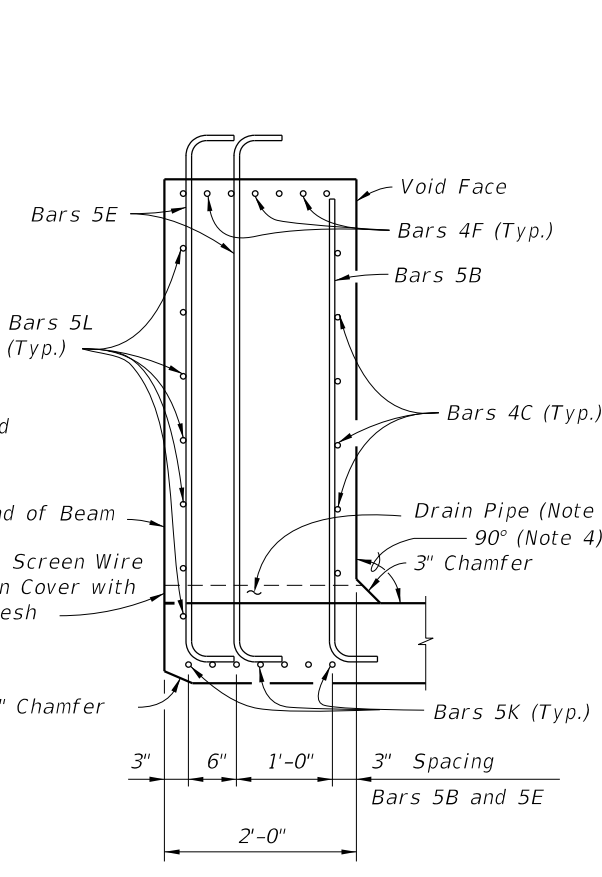


LAST REVISION <b>11/01/16</b>	DESCRIPTION:	<b>FDOT</b> FY 2017-18 DESIGN STANDARDS	<b>FLORIDA-U 63 BEAM - STANDARD DETAILS</b>	INDEX NO. <b>20263</b>	SHEET NO. <b>1 of 3</b>
----------------------------------	--------------	---	---	---------------------------	----------------------------

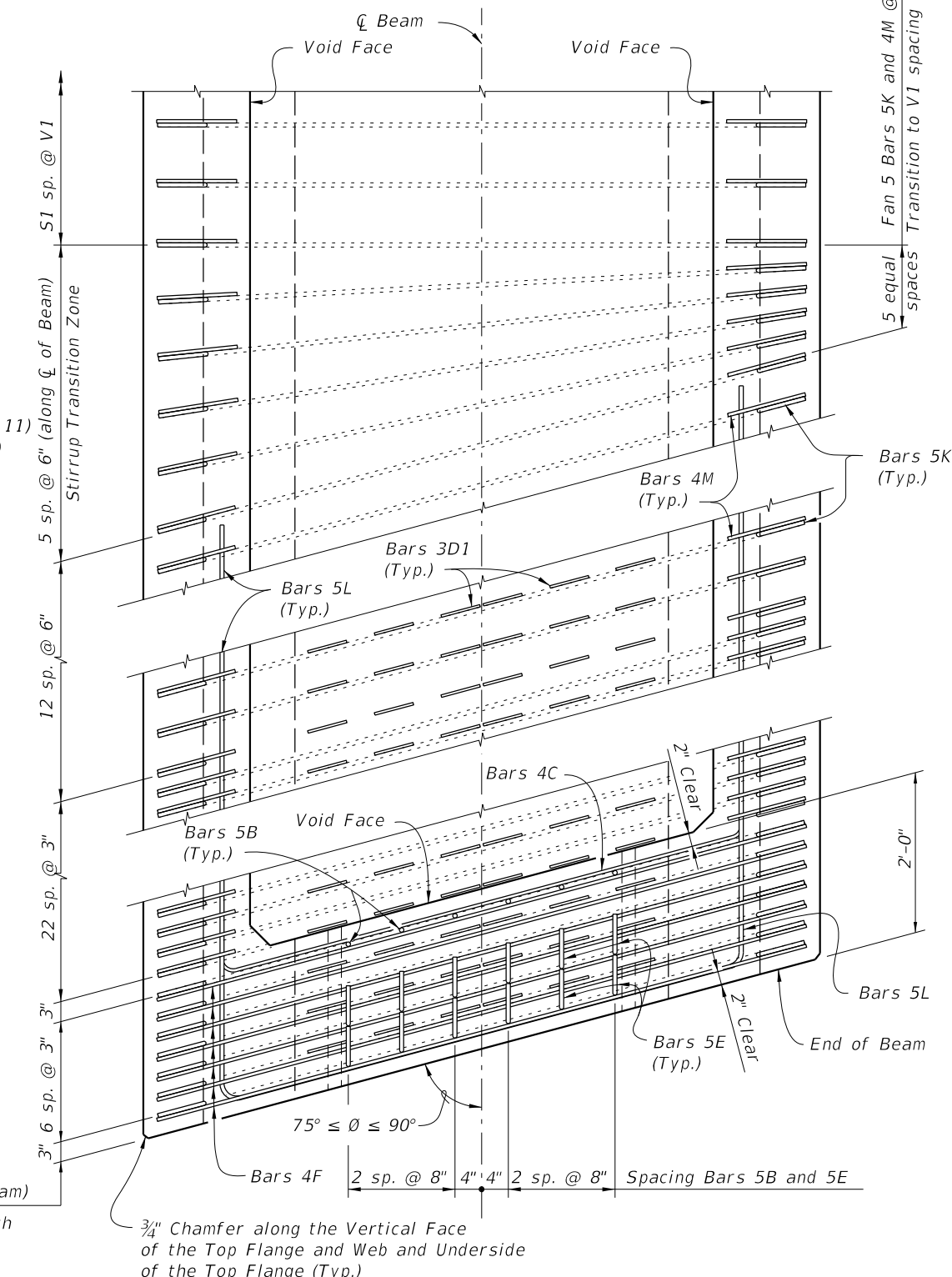
10/26/2016 8:51:22 AM



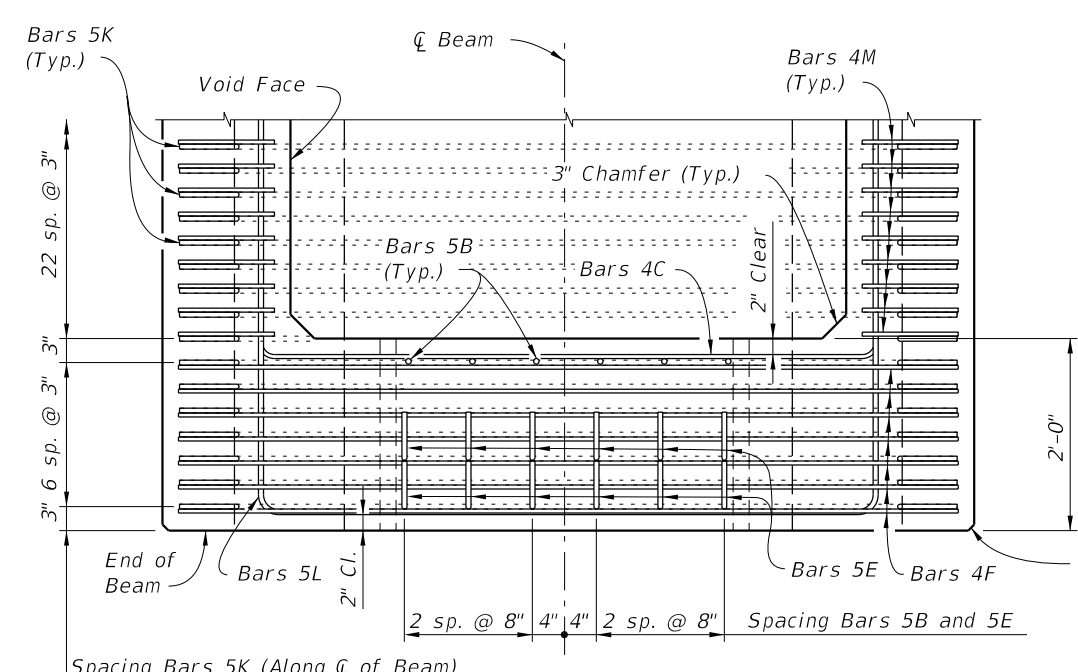
END VIEW AT END DIAPHRAGM



SECTION C-C



TOP VIEW OF SKEWED END DIAPHRAGM AND STIRRUP TRANSITION ZONE (Bars 3D2 Not Shown For Clarity)



TOP VIEW OF END DIAPHRAGM (Bars 3D1 And 3D2 Not Shown For Clarity)

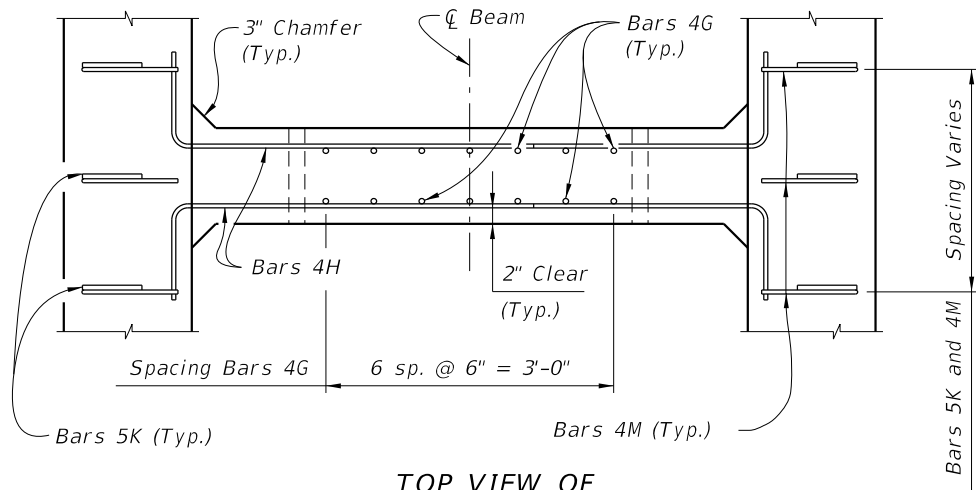
Spacing Bars 5K (Along C of Beam) (Bars 4F and 4M are Paired with Bars 5K as shown)

3/4" Chamfer along the Vertical Face of the Top Flange and Web and Underside of the Top Flange (Typ.)

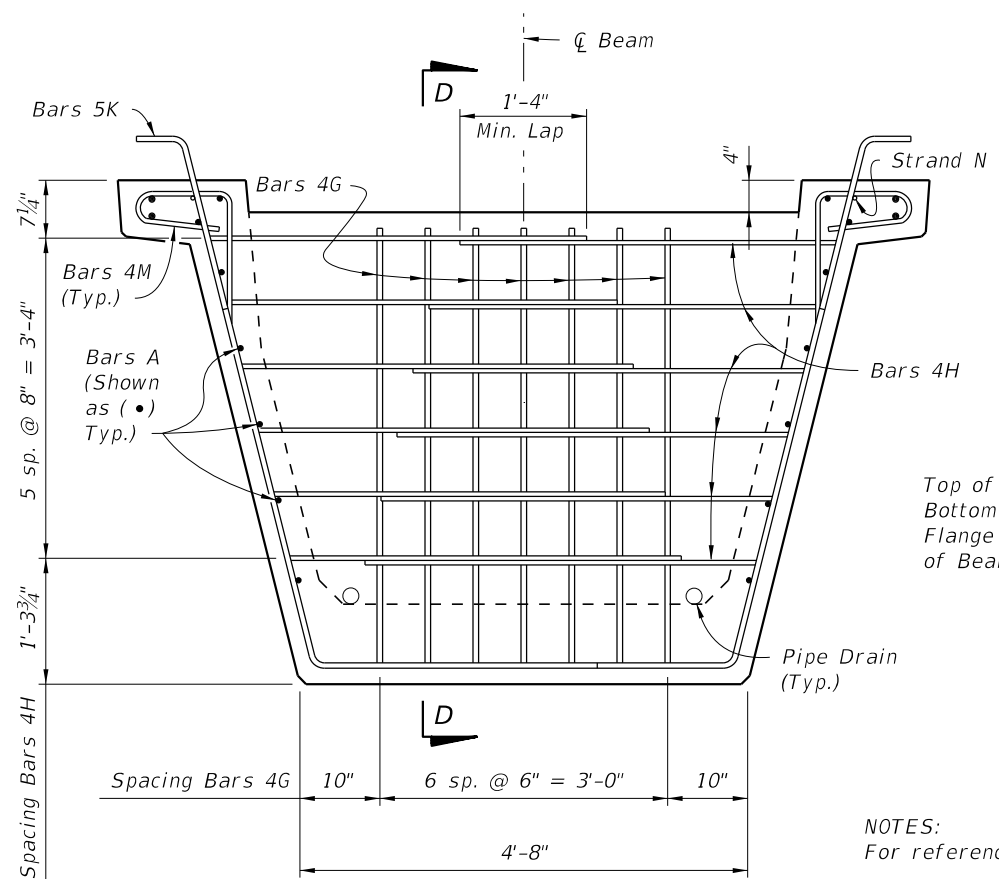
NOTES: For referenced note see Index 20210.

10/26/2016 8:51:27 AM

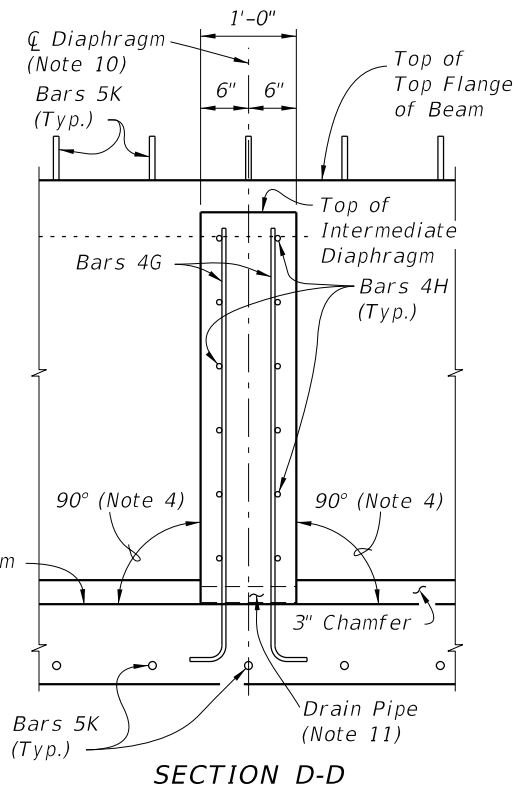
LAST REVISION 11/01/16	DESCRIPTION:	<b>FY 2017-18 DESIGN STANDARDS</b>	<b>FLORIDA-U 63 BEAM - STANDARD DETAILS</b>	INDEX NO. <b>20263</b>	SHEET NO. <b>2 of 3</b>
---------------------------	--------------	--	---	---------------------------	----------------------------



TOP VIEW OF INTERMEDIATE DIAPHRAGM



SECTION AT INTERMEDIATE DIAPHRAGM



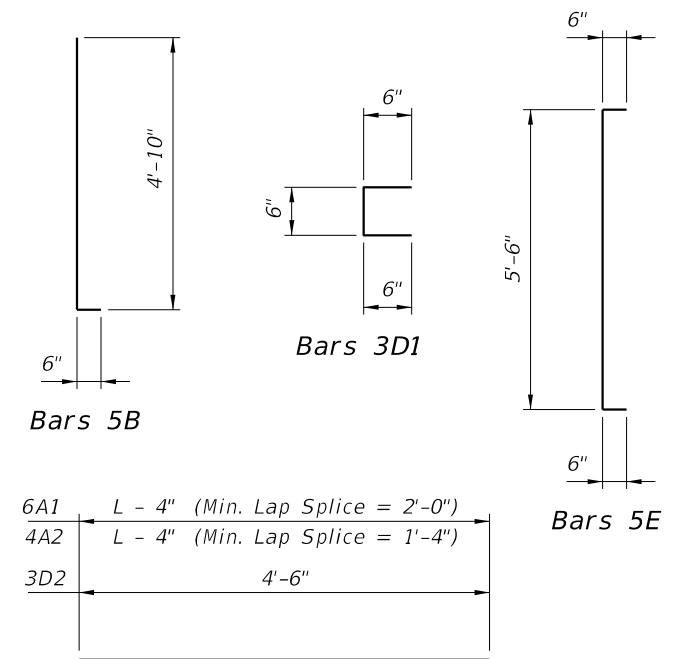
SECTION D-D

NOTES:  
For referenced notes see Index 20210.

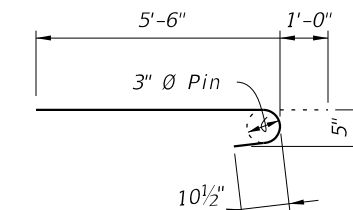
CONVENTIONAL REINFORCING STEEL BENDING DIAGRAMS

BILL OF REINFORCING STEEL FOR ONE BEAM ONLY

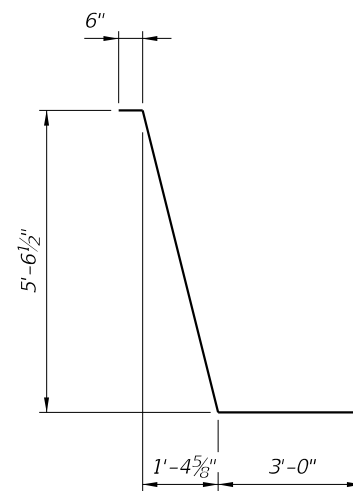
MARK	SIZE	NO. REQD.	LENGTH
A1	6	4	Dim. L - 4"
A2	4	12	Dim. L - 4"
B	5	12	5'-4"
C	4	24	5'-5"
D1	3	204	1'-6"
D2	3	34	4'-6"
E	5	24	6'-6"
F	4	28	6'-6"
G	4	See Table	5'-3"
H	4	See Table	4'-11"
K	5	See Table	9'-2 $\frac{1}{2}$ "
L	5	28	17'-8"
M	4	See Table	3'-11"
N	$\frac{3}{8}$ " $\varnothing$ Strand	2	Dim. L - 3"



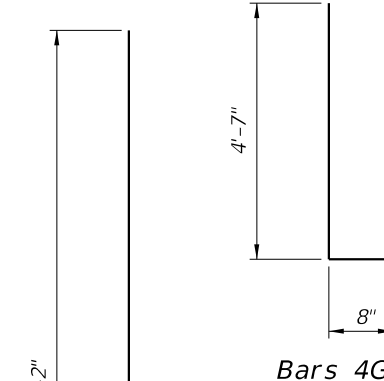
Bars 6A1, 4A2 and 3D2



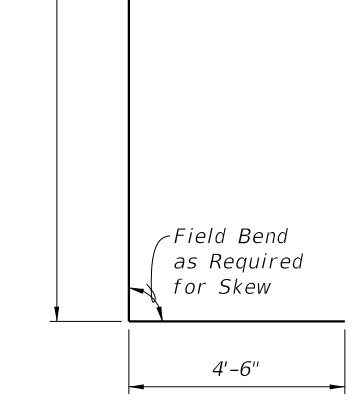
Bars 4F



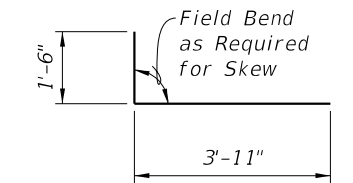
Bars 5K



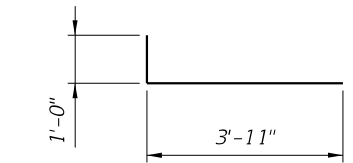
Bars 4G



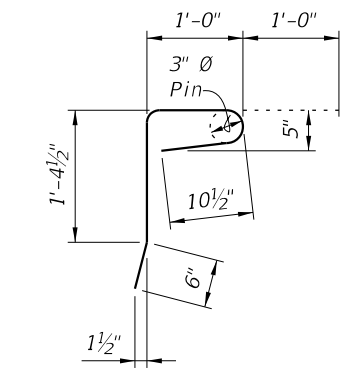
Bars 5L



Bars 4C



Bars 4H



Bars 4M

10/26/2016 8:51:29 AM

LAST REVISION 11/01/16	DESCRIPTION:
---------------------------	--------------

FDOT  
FY 2017-18  
DESIGN STANDARDS

FLORIDA-U 63 BEAM - STANDARD DETAILS

INDEX NO. 20263	SHEET NO. 3 of 3
--------------------	---------------------