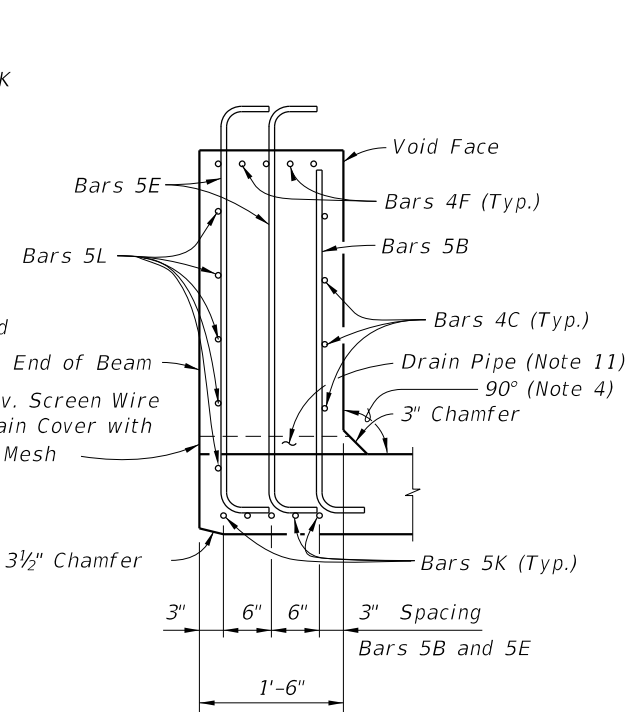
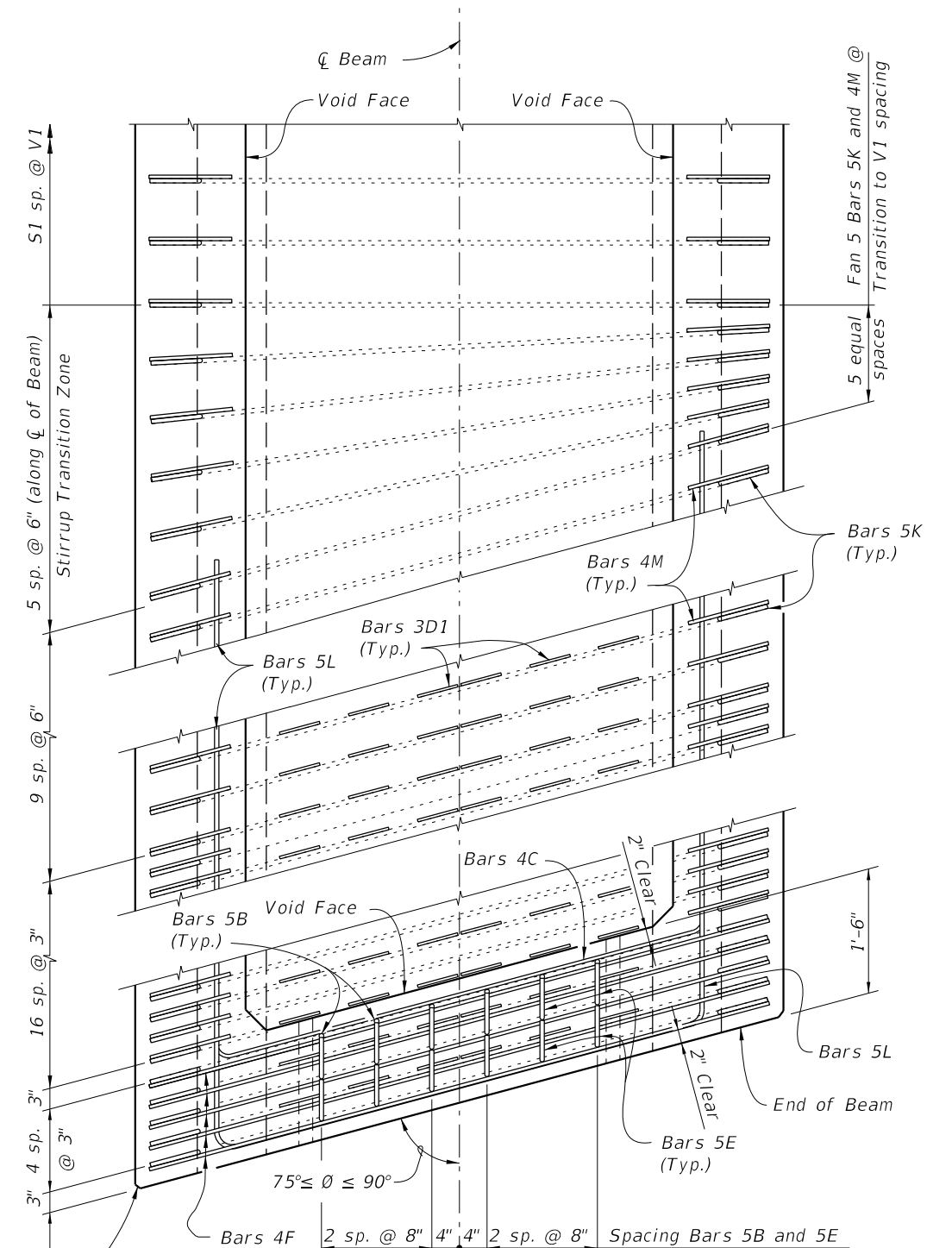


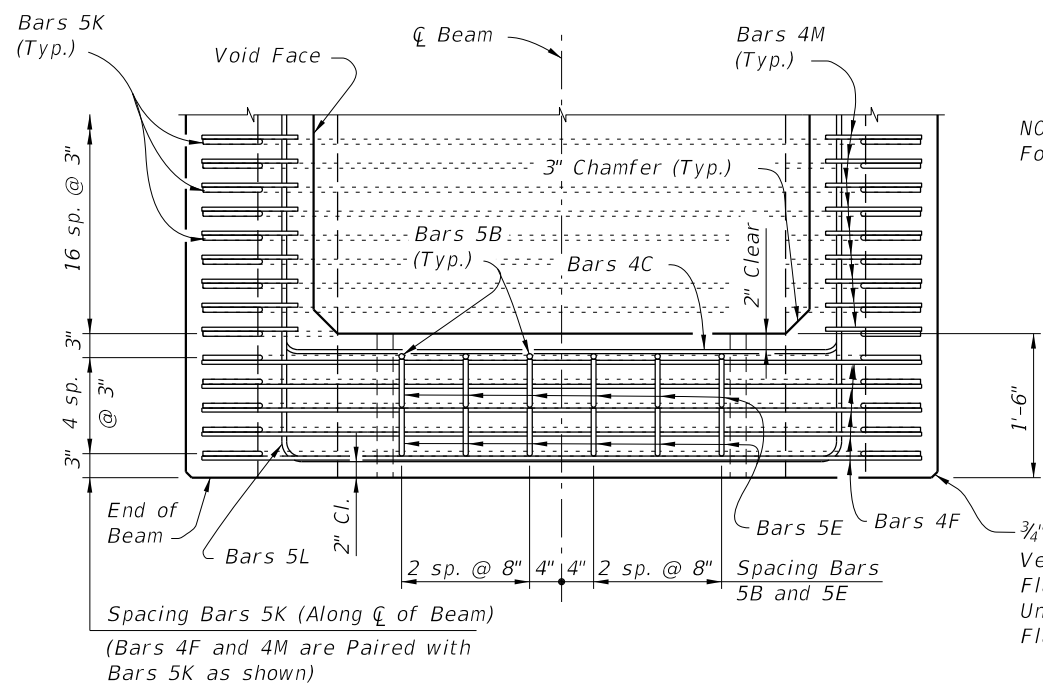
END VIEW AT END DIAPHRAGM



SECTION C-C



TOP VIEW OF SKEWED END DIAPHRAGM AND STIRRUP TRANSITION ZONE (Bars 3D2 Not Shown For Clarity)



TOP VIEW OF END DIAPHRAGM (Bars 3D1 And 3D2 Not Shown For Clarity)

NOTES:
For referenced notes see Index 20210.

Spacing Bars 5K (Along C of Beam)
(Bars 4F and 4M are Paired with Bars 5K as shown)

3/4" Chamfer along the Vertical Face of the Top Flange and Web and Underside of the Top Flange (Typ.)

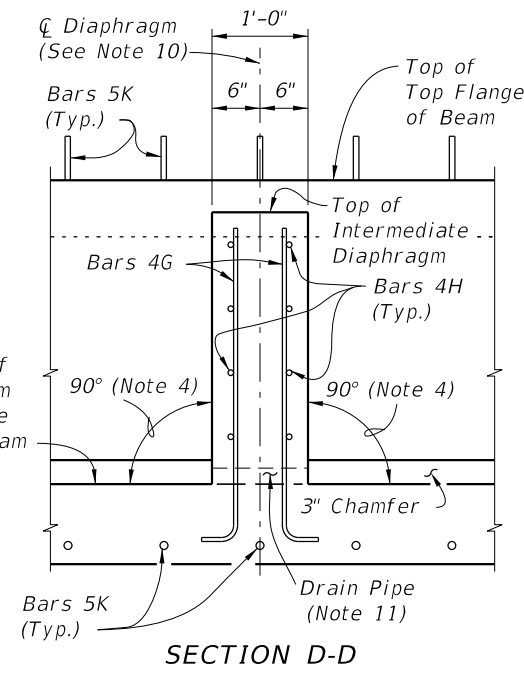
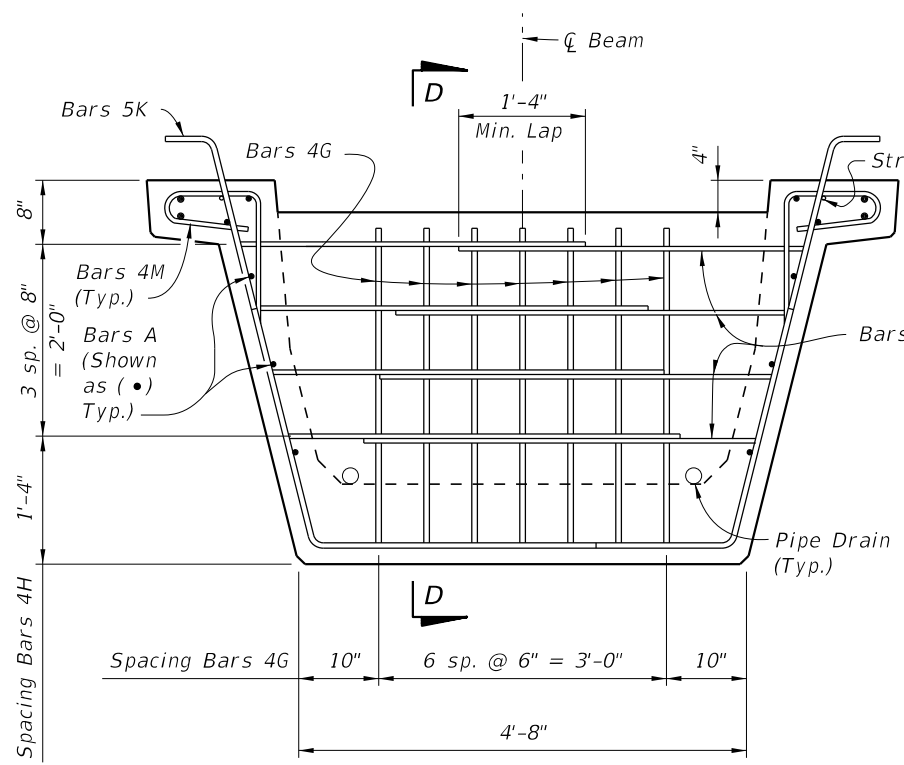
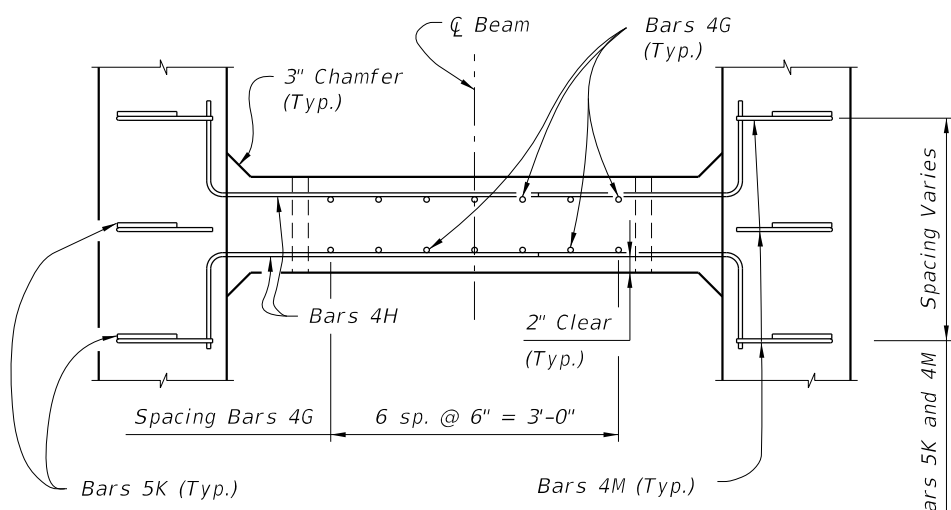
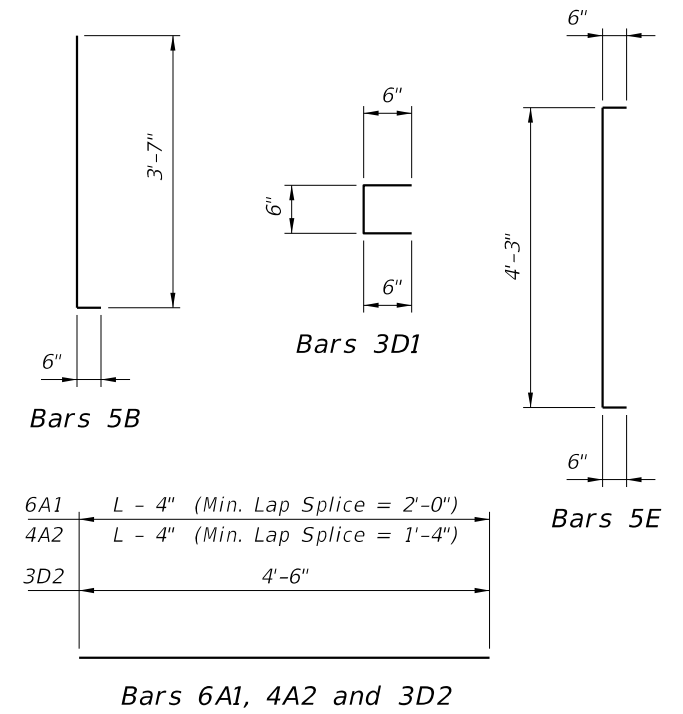
10/26/2016 8:50:26 AM

LAST REVISION 11/01/16	DESCRIPTION:	FY 2017-18 DESIGN STANDARDS	FLORIDA-U 48 BEAM - STANDARD DETAILS	INDEX NO. 20248	SHEET NO. 2 of 3
---------------------------	--------------	--------------------------------	--------------------------------------	--------------------	---------------------

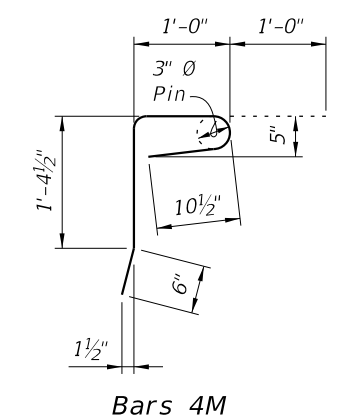
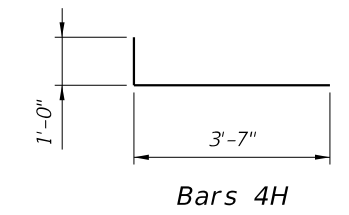
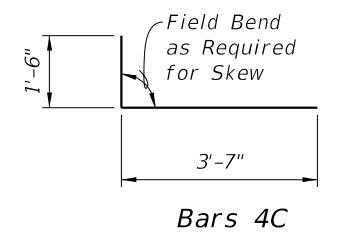
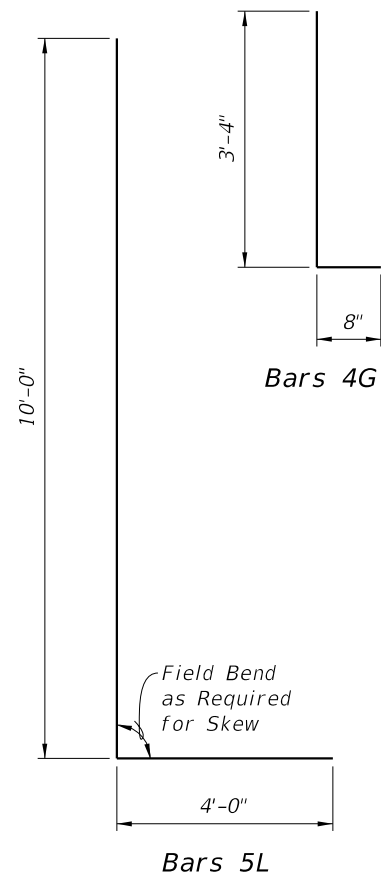
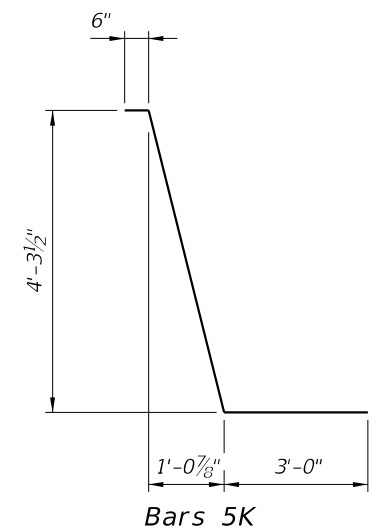
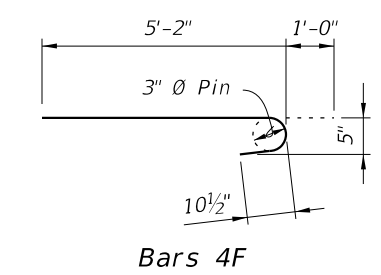
CONVENTIONAL REINFORCING STEEL BENDING DIAGRAMS

BILL OF REINFORCING STEEL FOR ONE BEAM ONLY

MARK	SIZE	NO. REQD.	LENGTH
A1	6	4	Dim. L - 4"
A2	4	10	Dim. L - 4"
B	5	12	4'-1"
C	4	16	5'-1"
D1	3	156	1'-6"
D2	3	26	4'-6"
E	5	24	5'-3"
F	4	20	6'-2"
G	4	See Table	4'-0"
H	4	See Table	4'-7"
K	5	See Table	8'-0"
L	5	20	14'-0"
M	4	See Table	3'-11"
N	3/8" Ø Strand	2	Dim. L - 3"



NOTES:
For referenced notes see Index 20210.



10/26/2016 8:50:28 AM