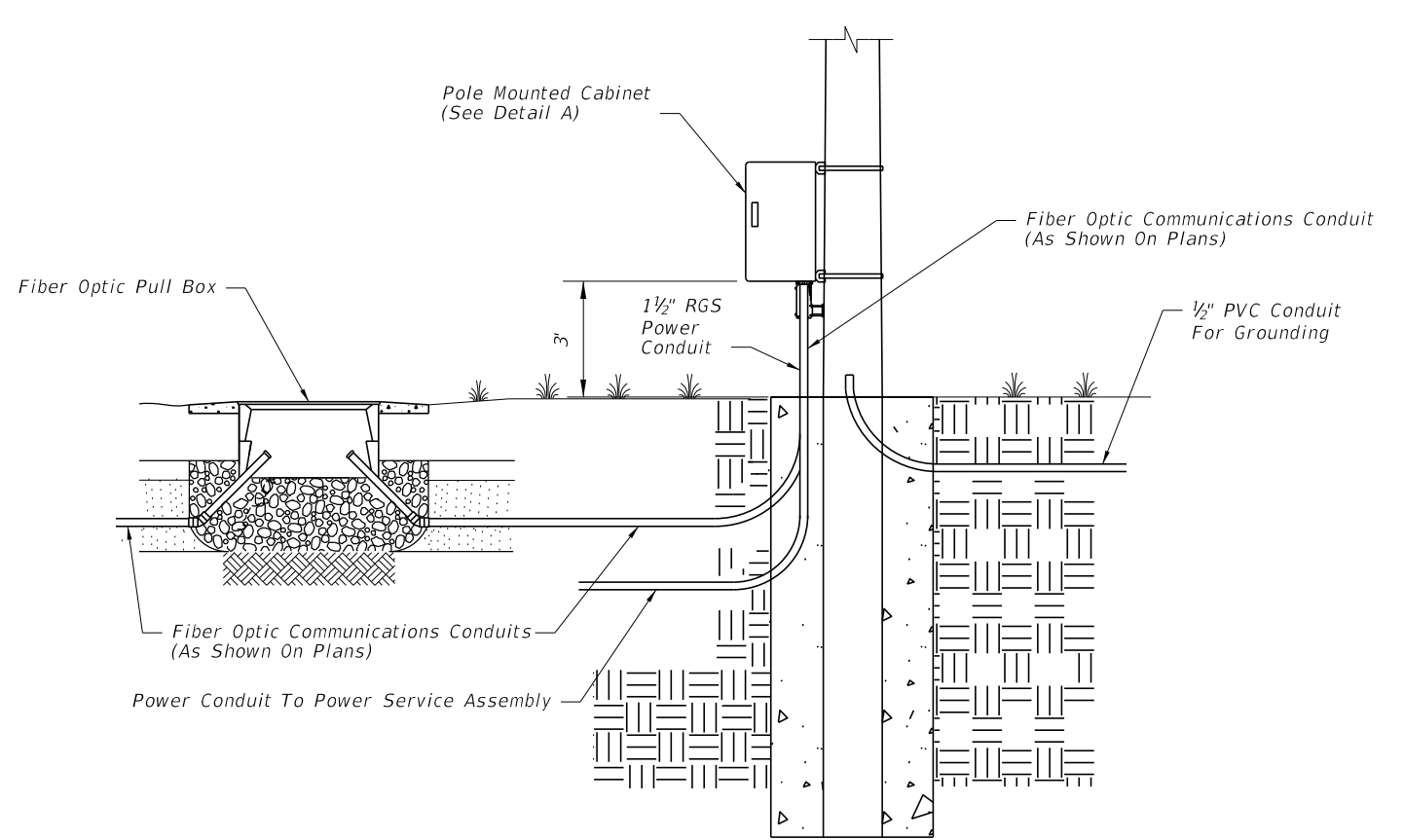
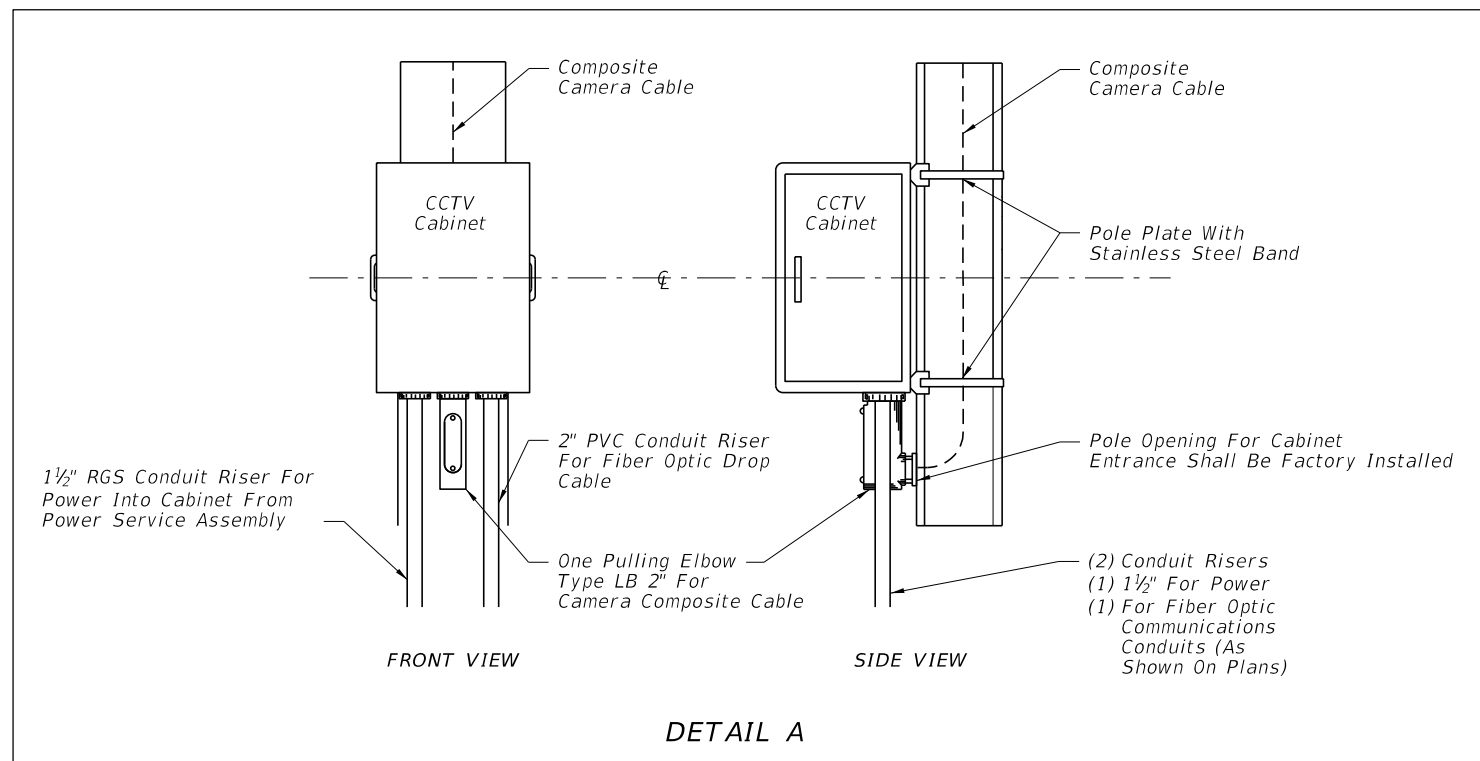


STEEL POLE



CONCRETE POLE



GENERAL NOTES:

1. Contractor shall splice fiber optic cables in cabinet to preterminated patch panel.
2. Furnish and install TVSS protection on all cabling in cabinet.
3. Furnish and install secondary TVSS protection on outlets for equipment in cabinet.
4. Sizes and types of conduits and innerducts for network communications between the pull box and cabinet are stated in the contract documents.
5. Ensure that equipment cabinet is bonded to CCTV pole grounding system.
6. All network communications conduits and ducts shall be sealed with approved waterproof duct plugs and seals.
7. Pole mounted cabinets shall be mounted with hinges next to the pole.

10/11/2016 8:33:37 AM

LAST REVISION 07/01/07

REVISION

DESCRIPTION:



FY 2017-18 DESIGN STANDARDS

POLE MOUNTED CCTV CABINET

INDEX NO. 18108

SHEET NO. 1 of 1