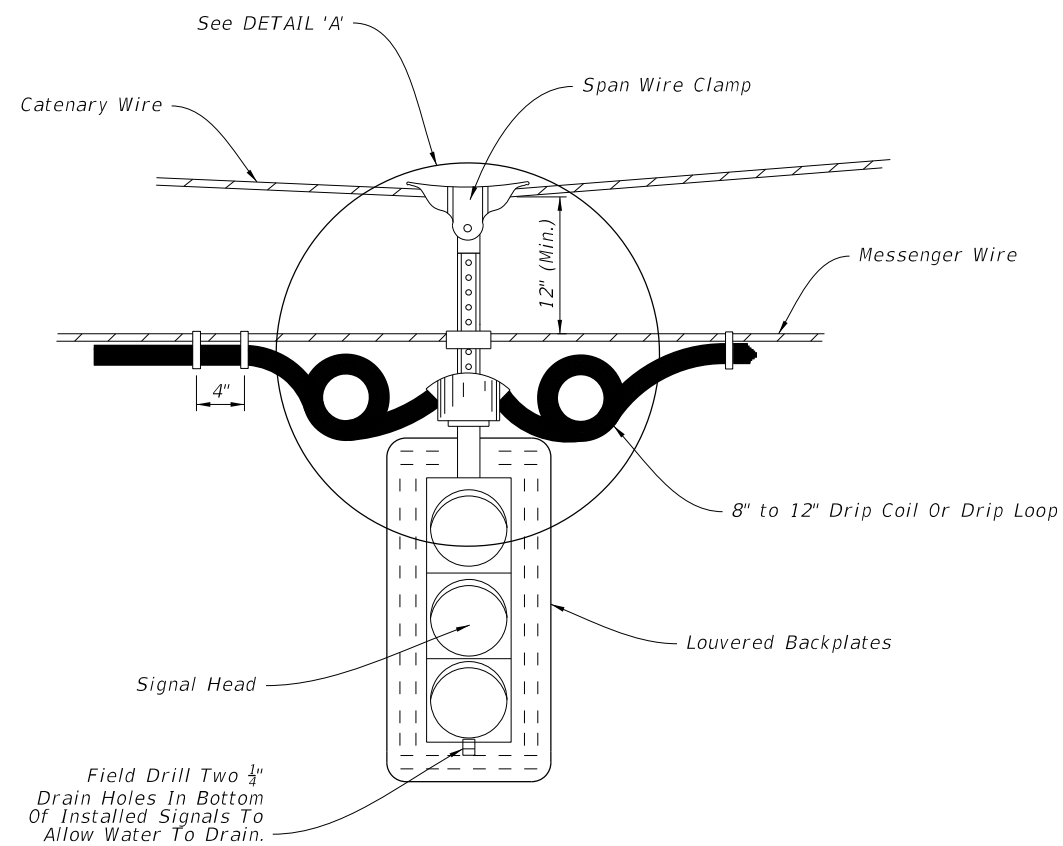


- NOTES:**
1. Use only span wire mounting assemblies listed on the APL. For specific details and requirements, see the vender drawings on the APL.
  2. With the approval of the resident engineer, the service head hole for joint use poles may be drilled by the utility company at an angle of 90° but not less than 45° to the face of the pole.
  3. Lashing wire should normally be used for distances of 12' or greater.
  4. All hardware for signal attachment shall be stainless steel.
  5. Hole for eye bolt will require field reaming for 1" & 1 1/4" eye bolts.
  6. Meet all grounding requirements of Specification 620.

10/25/2016 9:57:31 AM

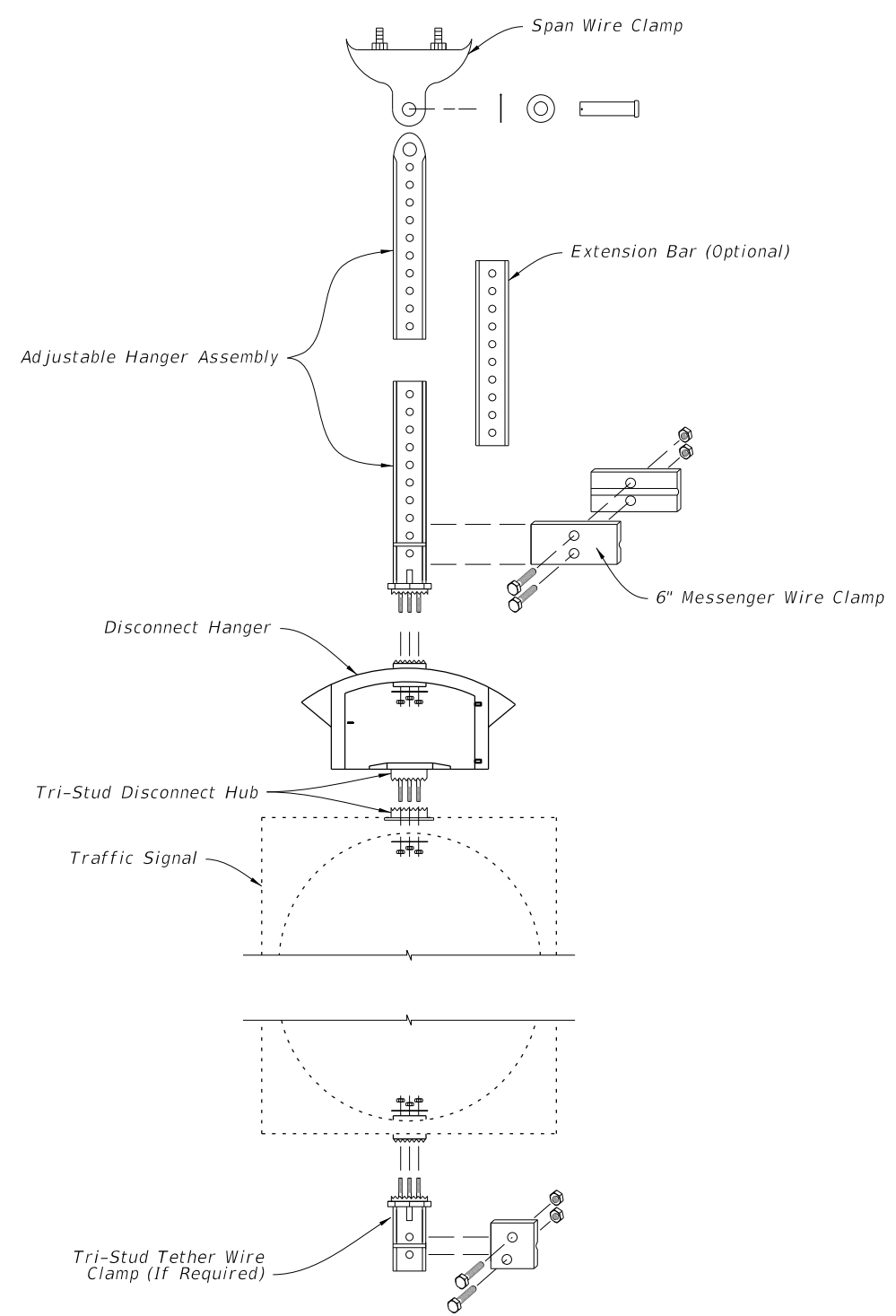
LAST REVISION 11/01/16	REVISION	DESCRIPTION:	 FY 2017-18 DESIGN STANDARDS	SIGNAL CABLE & SPAN WIRE INSTALLATION DETAILS	INDEX NO. 17727	SHEET NO. 1 of 2
---------------------------	----------	--------------	------------------------------------	--	--------------------	---------------------



**SIGNAL ATTACHMENT**

**Notes:**

1. With the approval of the resident engineer, the service head hole for joint use poles may be drilled by the utility company at an angle of 90° but not less than 45° to the face of the pole.
2. Use only span wire mounting assemblies listed on the APL.



**DETAIL 'A'**

**TWO POINT ATTACHMENT**

10/25/2016 9:57:33 AM

LAST REVISION 11/01/16	REVISION	DESCRIPTION:	 <b>FY 2017-18 DESIGN STANDARDS</b>	<b>SIGNAL CABLE &amp; SPAN WIRE INSTALLATION DETAILS</b>	INDEX NO. <b>17727</b>	SHEET NO. <b>2 of 2</b>
---------------------------	----------	--------------	---	--	---------------------------	----------------------------