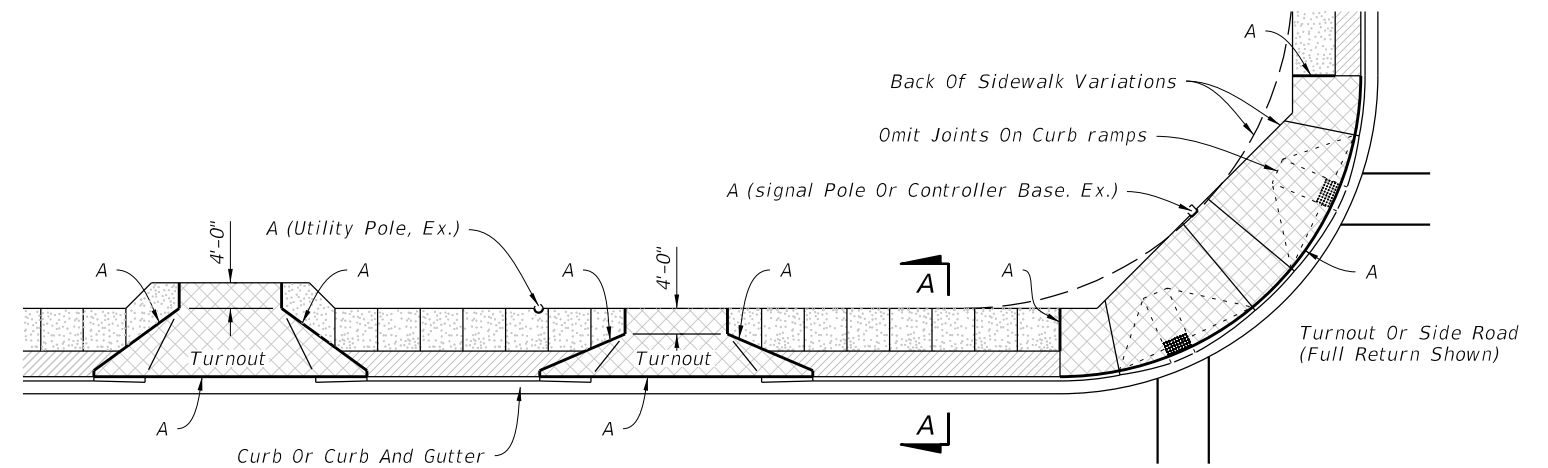


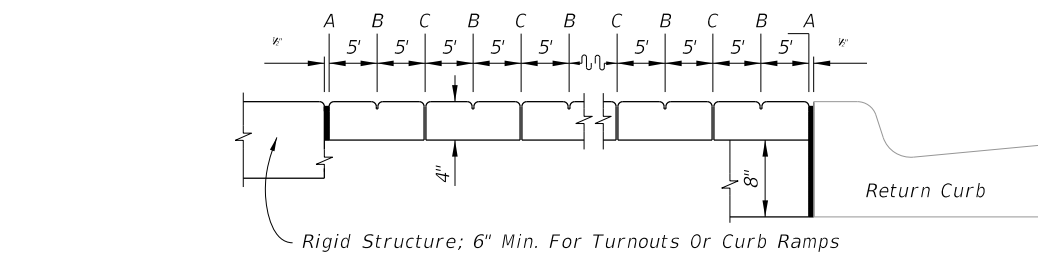
GENERAL NOTES:

1. Construct sidewalks in accordance with Specification Section 522.
2. Include detectable warnings on sidewalk curb ramps in accordance with Index 304.
3. For TURNOUTS see Index 515.
4. Bond breaker material can be any impermeable coated or sheet membrane or preformed material having a thickness of not less than 6 mils nor more than 1/2".
5. Construct sidewalks with Edge Beam through the limits of any surface mounted Pedestrian/Bicycle Railing or Pipe Guiderail shown in the plans. (See RAILING DETAIL)
6. When roadways or driveways are newly constructed, reconstructed or altered, construct the cross slopes for crosswalks and discontinuous sidewalks as follows:
 - A. Cross Slope = 0.02 for roadways or driveway controlled by "STOP" Sign or "YIELD" sign.
 - B. Cross Slope = 0.05 for roadways or driveways controlled by traffic signal.

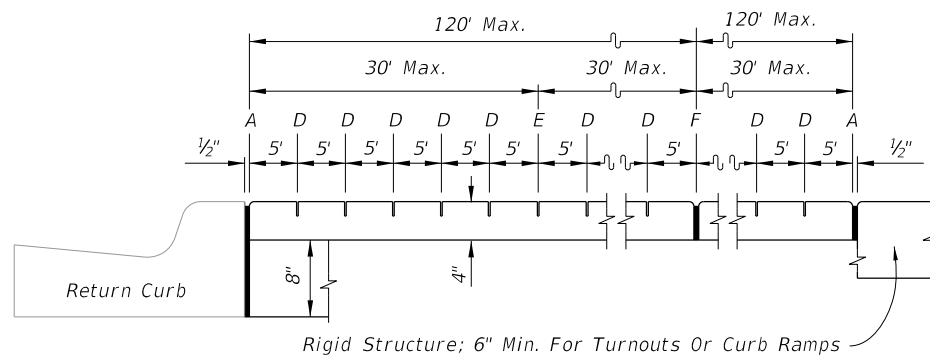


PLAN

SIDEWALK WITH UTILITY STRIP



OPEN JOINTS



SAWED JOINTS

LONGITUDINAL SECTION

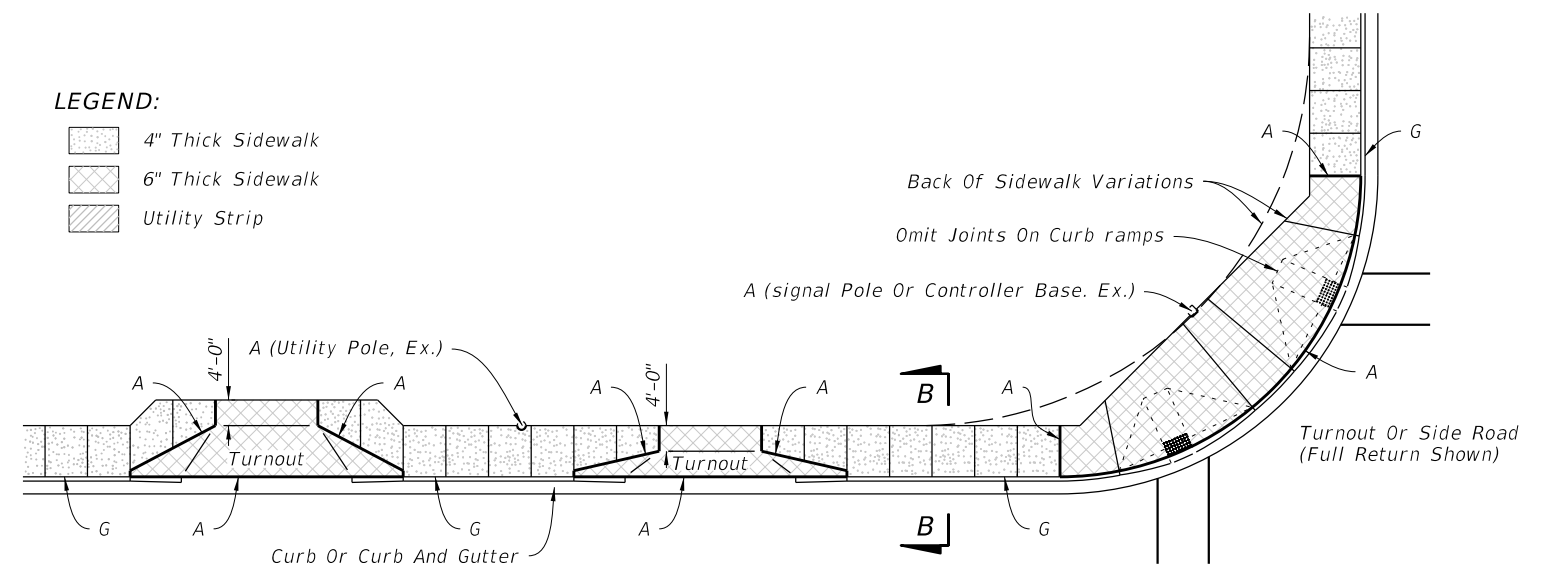
LEGEND:

- A- 1/2" Expansion Joints (Preformed Joint Filler)
- B- 1/8" Dummy Joints, Tooled
- C- 1/8" Formed Open Joints
- D- 3/16" Saw Cut Joints, 1 1/2" Deep (within 96 hours) Max. 5' Centers
- E- 3/16" Saw Cut Joints, 1 1/2" Deep (within 12 hours) Max. 30' Centers
Joint(s) Required When Length Exceeds 30'
- F- 1/2" Expansion Joint When Run Of Sidewalk Exceeds 120'. Intermediate locations when called for in the plans or at locations as directed by the Engineer.
- G- Cold Joint With Bond Breaker, Tooled

SIDEWALK JOINTS

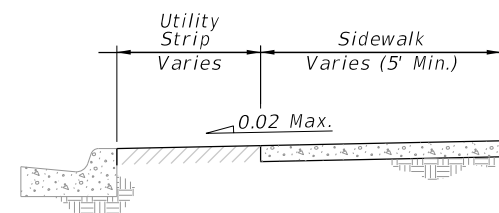
LEGEND:

- 4" Thick Sidewalk
- 6" Thick Sidewalk
- Utility Strip

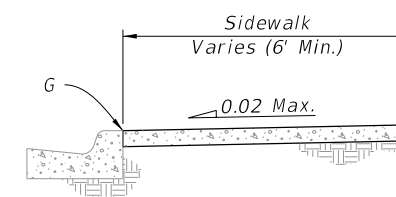


PLAN

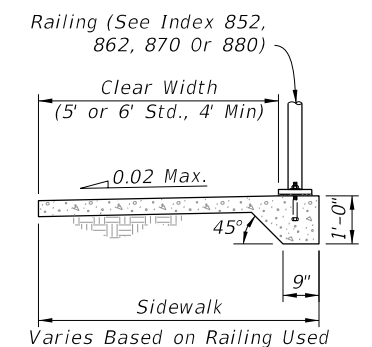
SIDEWALK WITHOUT UTILITY STRIP



SECTION A-A



SECTION B-B

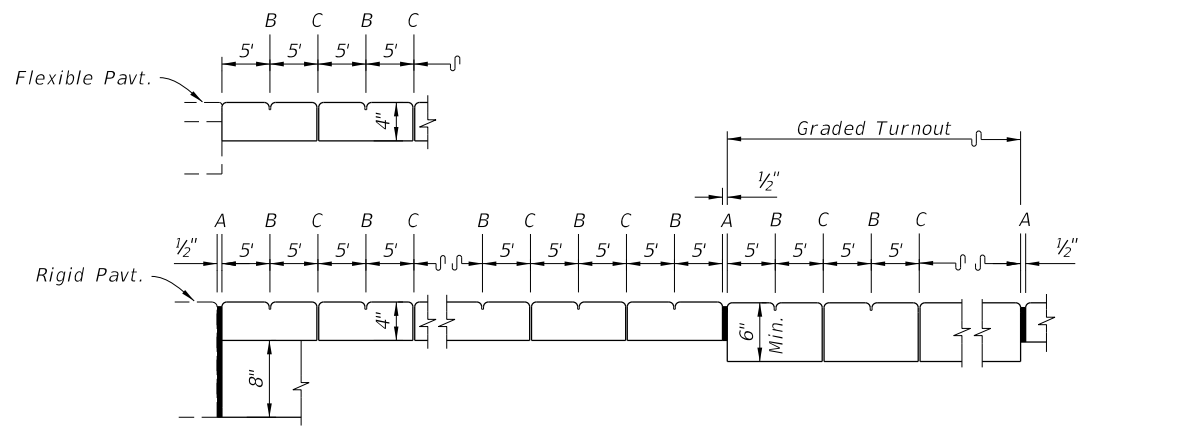


RAILING DETAIL

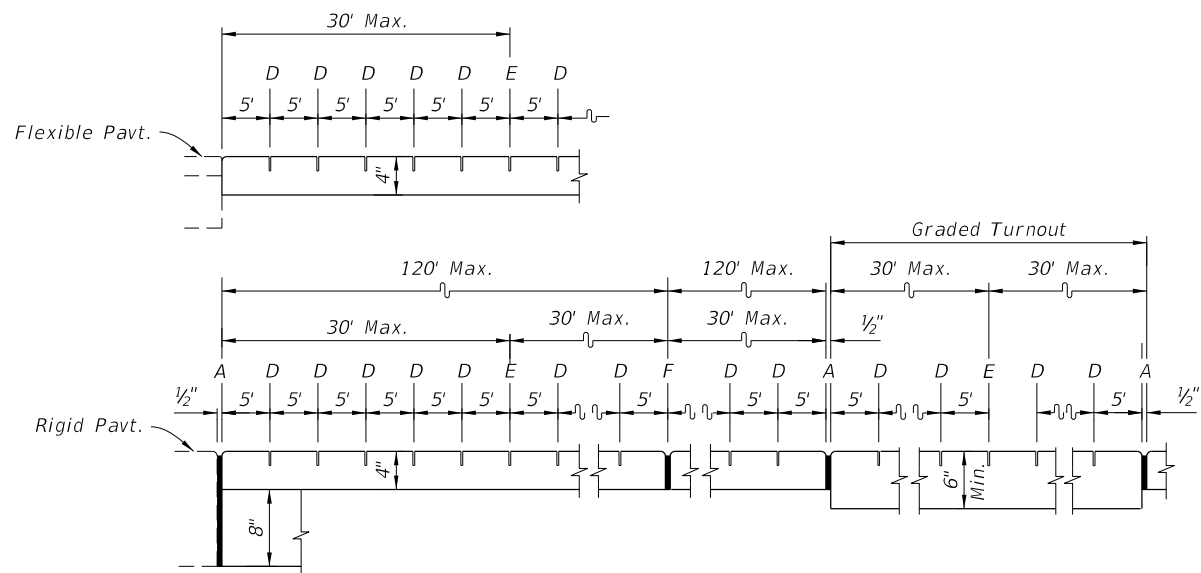
GENERAL NOTES AND CONCRETE SIDEWALK ON CURBED ROADWAYS

10/12/2016 9:35:53 AM

LAST REVISION 11/01/16	REVISION	DESCRIPTION:	 FY 2017-18 DESIGN STANDARDS	CONCRETE SIDEWALK	INDEX NO. 310	SHEET NO. 1 of 2
---------------------------	----------	--------------	------------------------------------	-------------------	------------------	---------------------



OPEN JOINTS



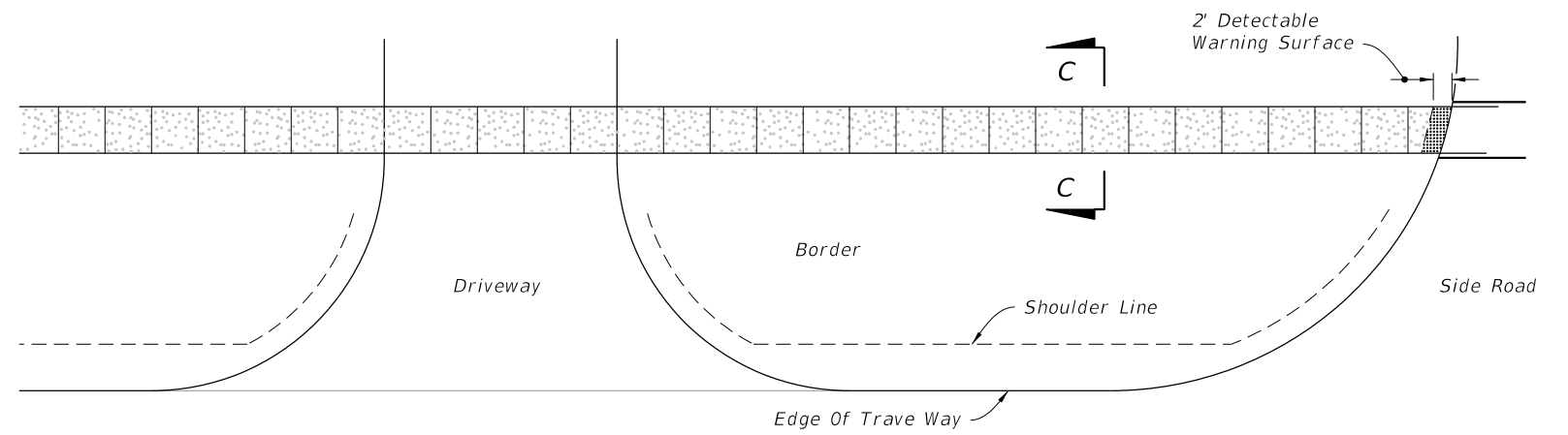
SAWED JOINTS

LONGITUDINAL SECTION

LEGEND:

- A- 1/2" Expansion Joints (Preformed Joint Filler)
- B- 1/8" Dummy Joints, Tooled
- C- 1/8" Formed Open Joints
- D- 3/16" Saw Cut Joints, 1 1/2" Deep (within 96 hours) Max. 5' Centers
- E- 3/16" Saw Cut Joints, 1 1/2" Deep (within 12 hours) Max. 30' Centers
Joint(s) Required When Length Exceeds 30'
- F- 1/2" Expansion Joint When Run Of Sidewalk Exceeds 120'. Intermediate locations when called for in the plans or at locations as directed by the Engineer.

SIDEWALK JOINTS

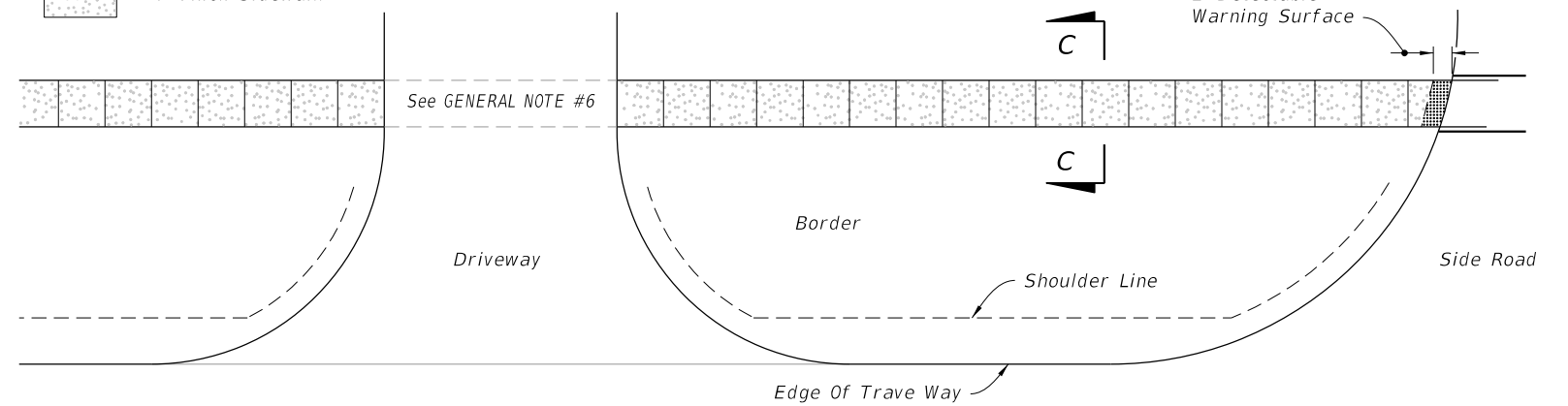


PLAN

CONTINUOUS SIDEWALK

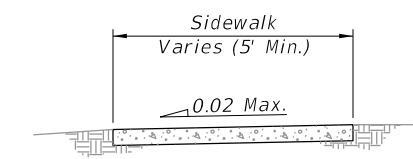
LEGEND:

4" Thick Sidewalk



PLAN

DISCONTINUOUS SIDEWALK



SECTION C-C

CONCRETE SIDEWALK ON FLUSH SHOULDER ROADWAYS

10/12/2016 9:35:56 AM

LAST REVISION 11/01/16	DESCRIPTION:
---------------------------	--------------



FY 2017-18

DESIGN STANDARDS

CONCRETE SIDEWALK

INDEX NO.
310

SHEET NO.
2 of 2