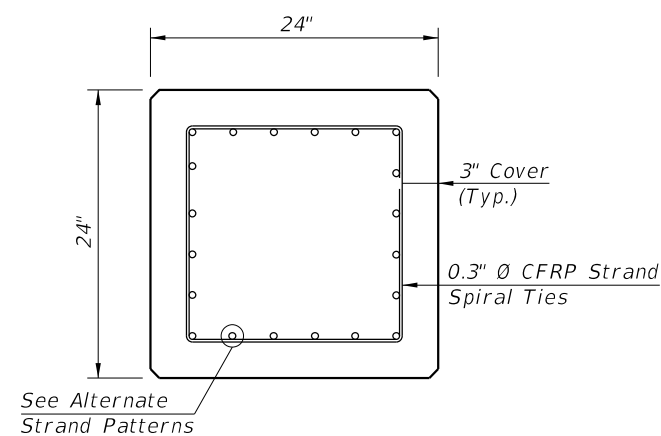


**SPIRAL TIE ELEVATION**

**ALTERNATE STRAND PATTERNS**

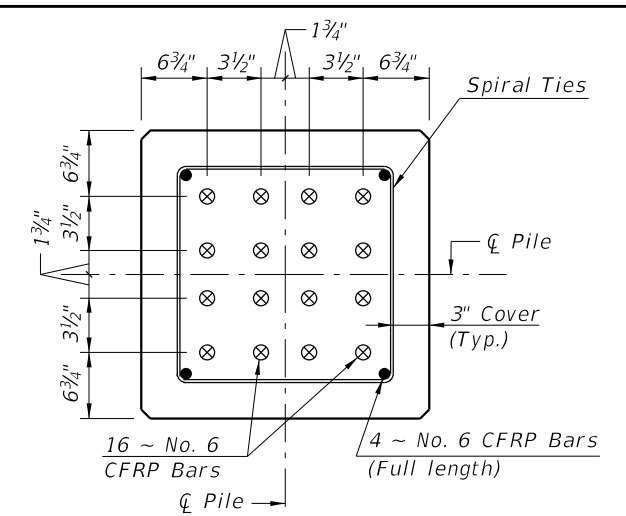
- 20 ~ 0.6" Ø, CFRP 7-Strand, at 34 kips
- 20 ~ 1/2" Ø, CFRP Single-Strand, at 33 kips



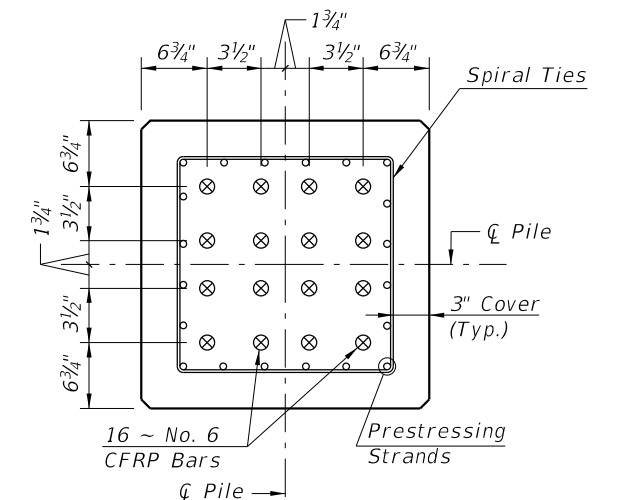
**SECTION A-A**

**NOTES:**

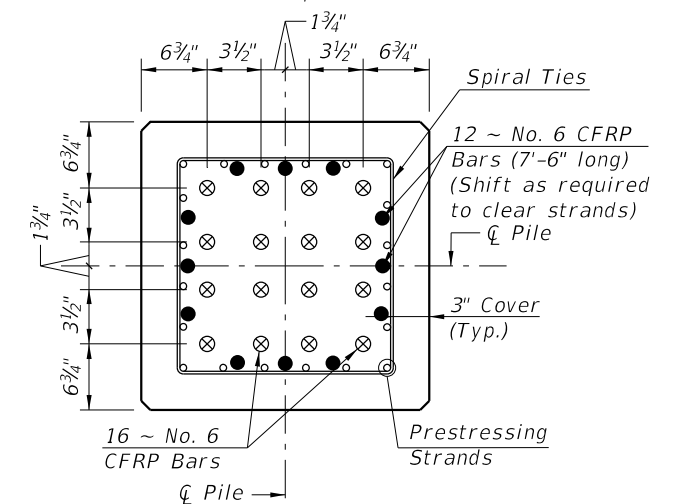
- Work this Index with Index D22600 - Notes and Details for Square CFRP & SS Prestressed Concrete Piles and Index D22601 - Square CFRP & SS Prestressed Concrete Pile Splices.
- Any of the given Strand Patterns may be utilized. The strands shall be located as follows:  
Place one strand at each corner and place the remaining strands equally spaced between the corner strands. The total strand pattern shall be concentric with the nominal concrete section of the pile.



**SECTION D-D**  
(See Nondrivable Unforesawn Reinforced Precast Pile Build-Up Detail)



**SECTION E-E**  
(See Drivable Prestressed Precast Pile Splice Detail)

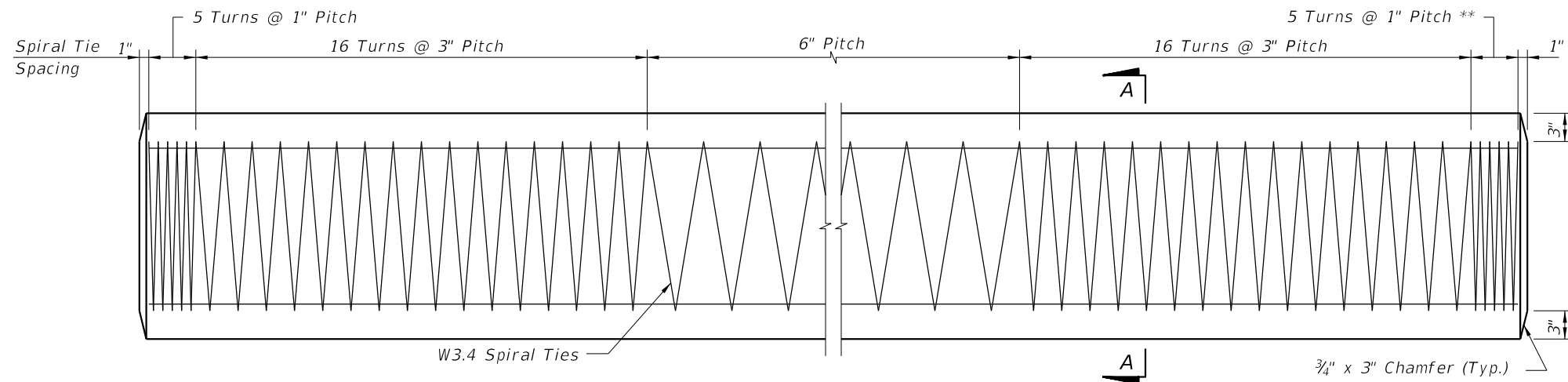


**SECTION F-F**  
(See Drivable Preplanned Prestressed Precast Pile Splice Detail)  
**CFRP PILE SPLICE REINFORCEMENT DETAILS**

**CFRP PRESTRESSED PILE DETAILS**

12/17/2015 2:17:05 PM

LAST REVISION 01/01/16	DESCRIPTION:		FY 2016-17 DESIGN STANDARDS	24" SQUARE CFRP & SS PRESTRESSED CONCRETE PILE	INDEX NO. 22624	SHEET NO. 1 of 2
REVISION						

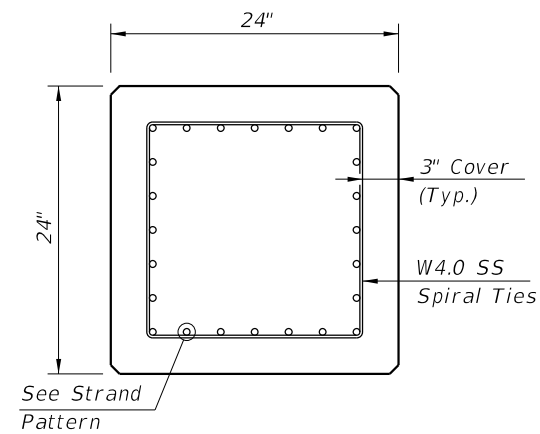


ELEVATION

\*\* See Note No. 4 on Index No. 22601

**STRAND PATTERN**

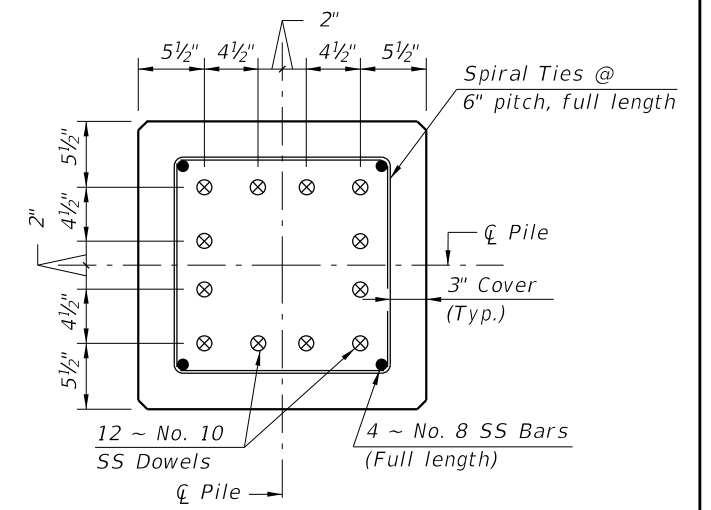
28 ~ 1/2" Ø, HSSS at 26 kips



SECTION A-A

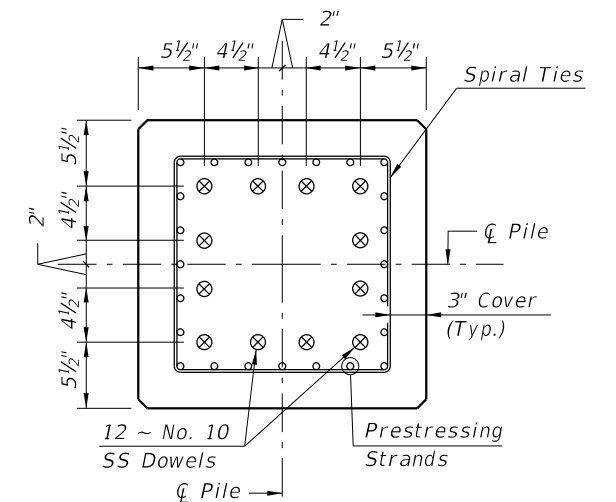
**NOTES:**

1. Work this Index with Index No. 22600 - Notes and Details for Square CFRP & SS Prestressed Concrete Piles and Index No. 22601 - Square CFRP & SS Prestressed Concrete Pile Splices.
2. Any of the given Strand Patterns may be utilized.  
The strands shall be located as follows:  
Place one strand at each corner and place the remaining strands equally spaced between the corner strands.  
The total strand pattern shall be concentric with the nominal concrete section of the pile.



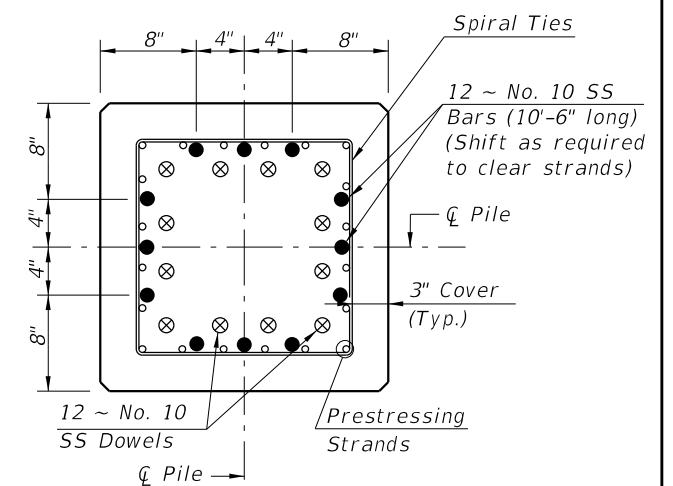
SECTION D-D

(See Non-drivable Unforeseen Reinforced Precast Pile Build-Up Detail)



SECTION E-E

(See Drivable Prestressed Precast Pile Splice Detail)



SECTION F-F

(See Drivable Preplanned Pile Splice Detail)

**SS PILE SPLICE REINFORCEMENT DETAILS**

**SS PRESTRESSED PILE DETAILS**

12/23/2015 10:39:16 AM

LAST REVISION 01/01/16	DESCRIPTION:
---------------------------	--------------



FY 2016-17  
DESIGN STANDARDS

24" SQUARE CFRP & SS PRESTRESSED  
CONCRETE PILE

INDEX NO.  
22624

SHEET NO.  
2 of 2