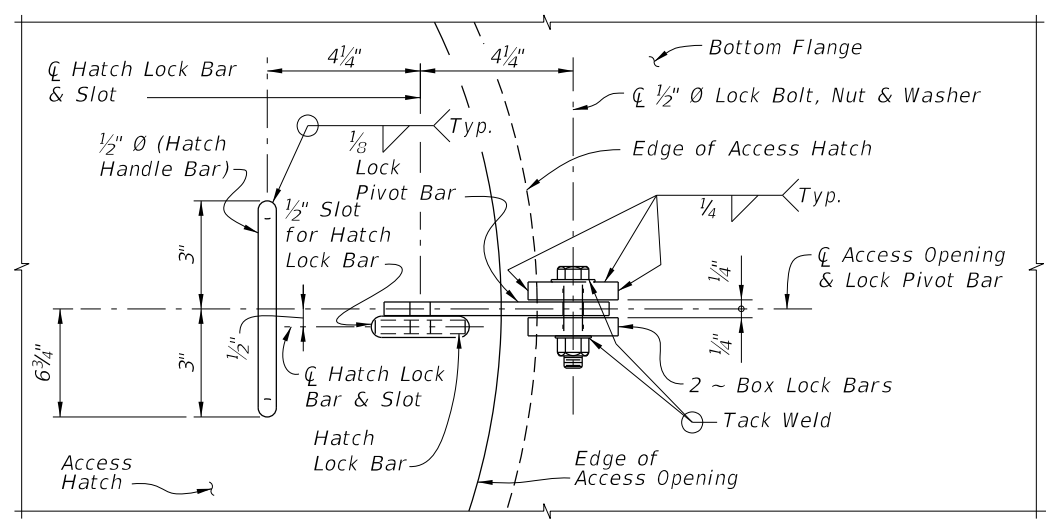
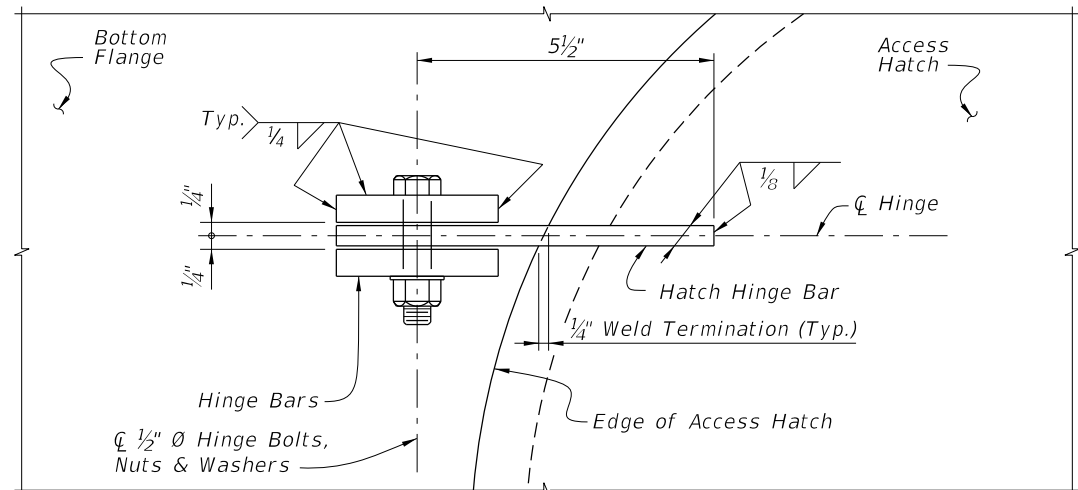


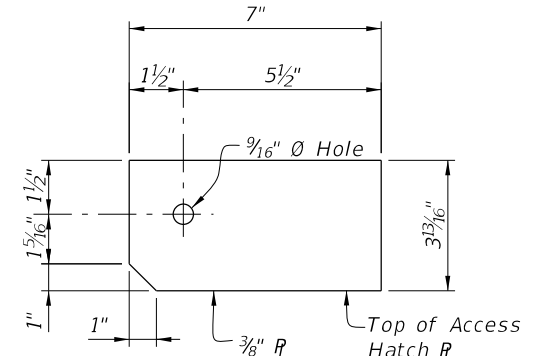
PLAN VIEW OF ACCESS HATCH ASSEMBLY



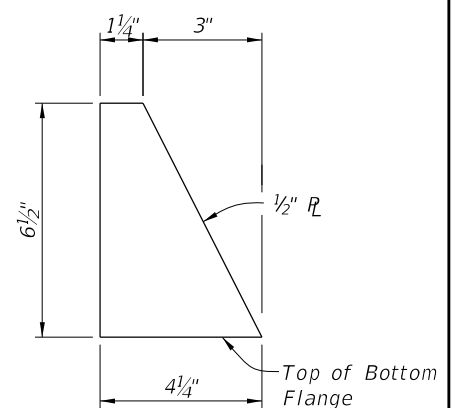
VIEW A-A



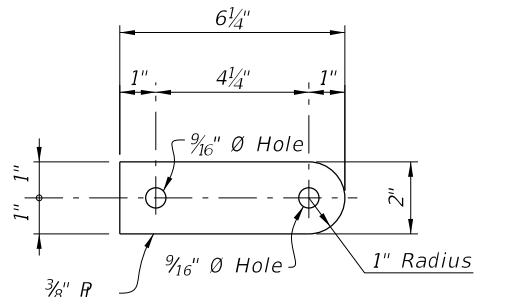
HINGE DETAIL



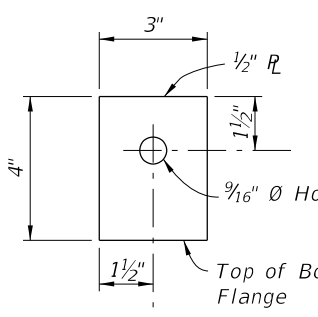
HATCH HINGE BAR DETAIL



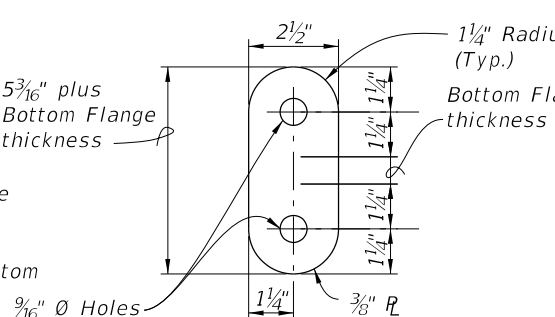
STOP BAR DETAIL



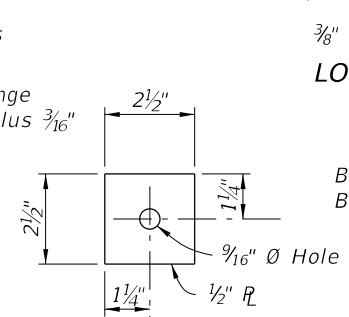
LOCK PIVOT BAR DETAIL



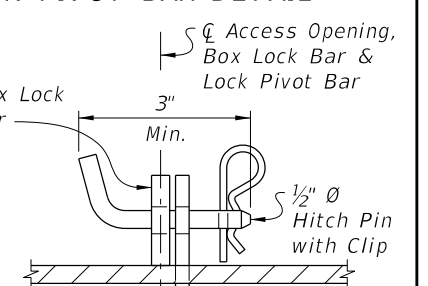
HINGE BAR DETAIL



HATCH LOCK BAR DETAIL

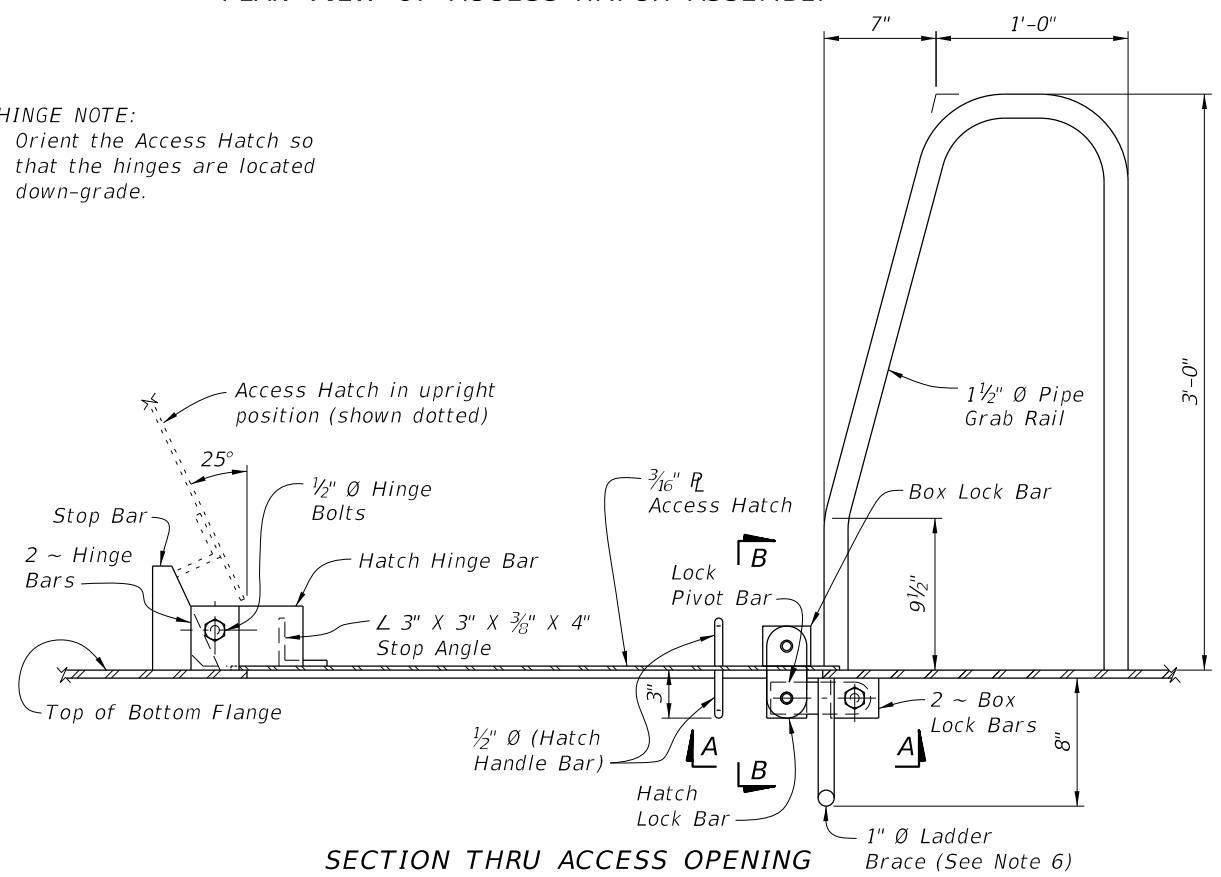


BOX LOCK BAR DETAIL



VIEW B-B HATCH LOCK ASSEMBLY DETAIL

HINGE NOTE:
Orient the Access Hatch so that the hinges are located down-grade.



SECTION THRU ACCESS OPENING

- NOTES:
1. All Structural Steel material in Access Hatch Assemblies shall conform to ASTM A709 Grade 36.
 2. 1 1/2\"/>

12/17/2015 1:49:56 PM

LAST REVISION 07/01/15	DESCRIPTION:	FDOT FY 2016-17 DESIGN STANDARDS	ACCESS HATCH ASSEMBLY FOR STEEL BOX SECTIONS	INDEX NO. 21250	SHEET NO. 1 of 1
---------------------------	--------------	--	---	--------------------	---------------------