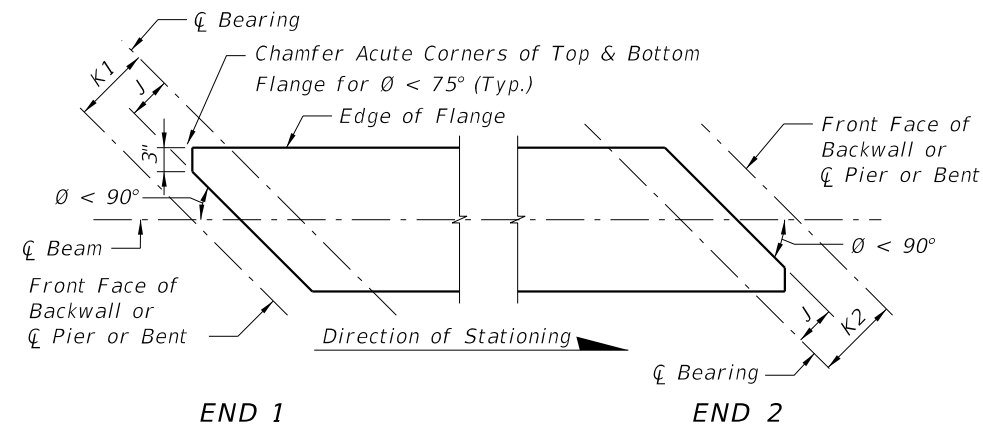
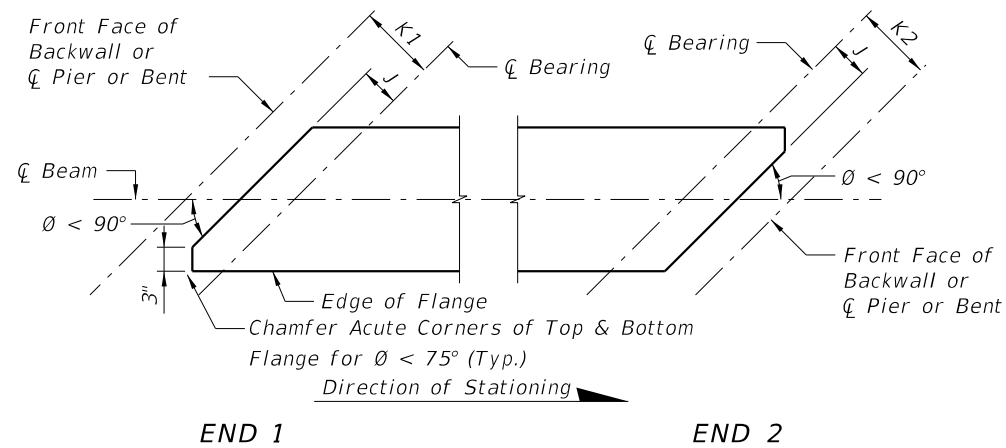


**CASE 1**  
(Standard Orientation for New Construction)

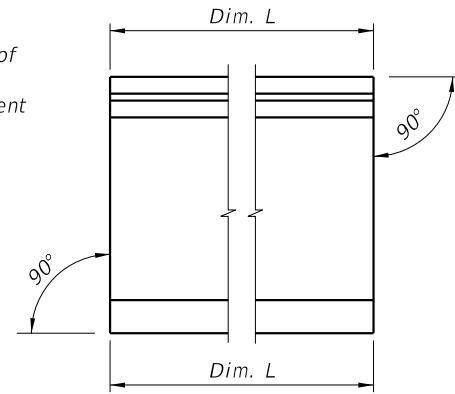


**CASE 2**  
(Special Orientation for Widening)

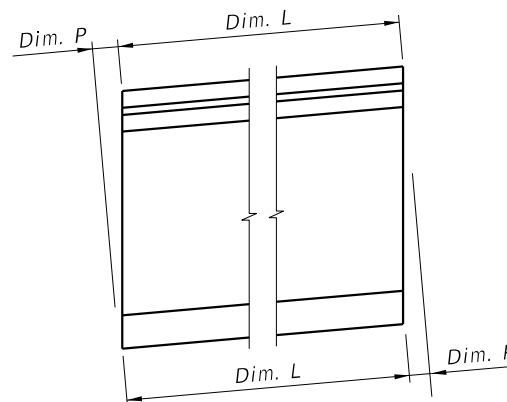


**CASE 3**  
(Special Orientation for Widening)

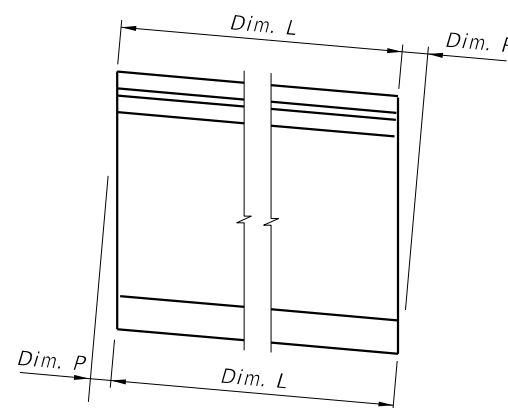
**SCHEMATIC PLAN VIEWS AT BEAM ENDS**



**CONDITION 1**  
(Dim P = 0.0)



**CONDITION 2**



**CONDITION 3**

**SCHEMATIC END ELEVATIONS OF BEAMS**  
(Showing Vertical Bevel of Beam End)

**BEAM NOTES**

- All bar dimensions are out-to-out.
- Place one (1) Bar 4K, or 5Z at each location as detailed alternating the direction of the ends for each bar (see "ELEVATION AT END OF BEAM", Sheet 3).
- Strands N shall be ASTM A416, Grade 270, seven-wire strands  $\frac{3}{8}$ "  $\phi$  or larger, stressed to 10,000 lbs. each.
- For beams with ends not to be encased in permanent concrete diaphragms, after detensioning cut wedge to recess Prestressing Strands at the end of the beam without damaging the surrounding concrete. See "STRAND CUTTING AND PROTECTING DETAIL" on Sheet 2.
- For beams with ends not to be encased in permanent concrete diaphragms, protect end of recessed strands in accordance with Specification Section 450.
- Unless otherwise noted, the minimum concrete cover for reinforcing steel shall be 2".
- At the Contractor's option, welded deformed wire reinforcement may be used in lieu of Bars 3D, 4K, and 5Z as shown on Sheet 4. Welded deformed wire reinforcement shall meet requirements of Specification Section 931.
- Safety Line Anchorage Devices or sleeves are required and permitted in the top flange only to accommodate fall protection systems used during construction. See shop drawings for details and spacing of any required embedments.
- For beams with skewed end conditions, the end reinforcement, defined as Bars 3D1, 3D2, 4K, 4Y and 5Z placed within the limits of Bars 3D in "ELEVATION AT END OF BEAM", shall be placed parallel to the skewed end of the beam. Bars 3D and 4K, located beyond the limits of Bars 3D shall be placed perpendicular to the longitudinal axis of the beam. For placement locations, see "SKEWED BEAM END DETAILS". Adjust the dimensions of Bars 3D1 and 3D2, as shown on the "BENDING DIAGRAM" for skewed end conditions.
- Placement of Bars 3D1 correspond to END 1, and Bars 3D2, correspond to END 2. END 1 and END 2 are shown on the beam "ELEVATION".
- For Beams with vertically beveled end conditions, place first row of Bars 3D1, 3D2, 4K, 4Y and 5Z parallel to the end of the beam. Progressively rotate remaining bars within the limits of Bars 5Z until vertical by adjusting the spacing at the top of beam up to a maximum of 1". For welded deformed wire reinforcement, cut top cross wire and rotate bars as required or reduce end cover at top of the beam to minimum 1".
- For beams with skewed end conditions, welded deformed wire reinforcement shall not be used for end confinement reinforcement (Bars 3D1 and 3D2).
- Bars 4K and 5Z shall be placed and tied to the fully bonded strands in the bottom or center row (see "STRAND PATTERN" on the Table of Beam Variables in Structures Plans). For welded deformed wire reinforcement, supplemental transverse bars are permitted to support Pieces K & S under the cross wires on the bottom row of strands or Strands N.
- At the Contractor's option, Bars 3D1, 3D2 and 3D3 may be fabricated as a two-piece bar with a 1'-0" minimum lap splice of the bottom legs.
- For referenced Dimensions, Angles and Case Numbers, see the Table of Beam Variables in Structures Plans.

12/17/2015 1:21:50 PM

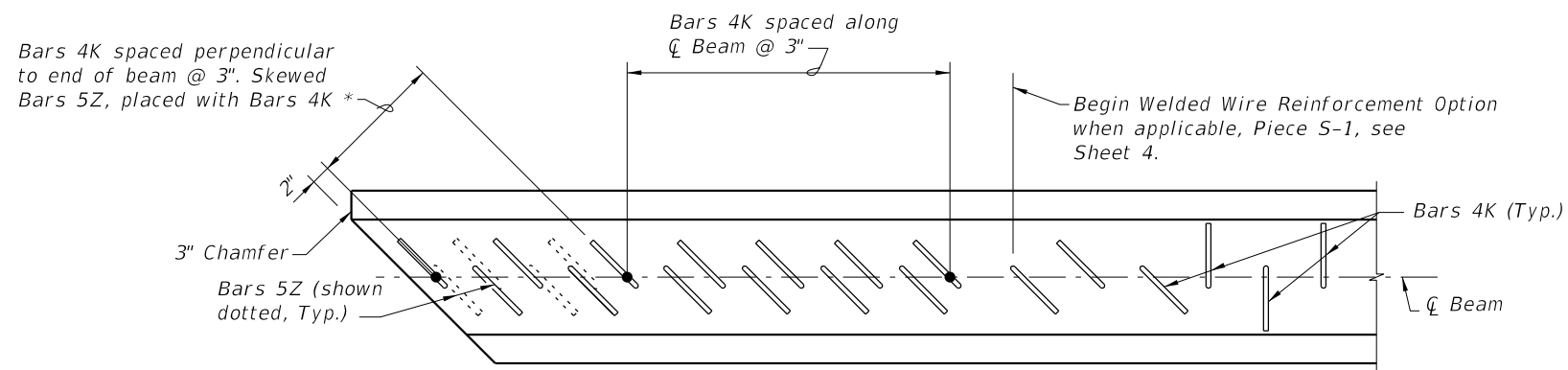
**DETAILS AND NOTES**

LAST REVISION 07/01/14	DESCRIPTION:
---------------------------	--------------

**FDOT** FY 2016-17  
DESIGN STANDARDS

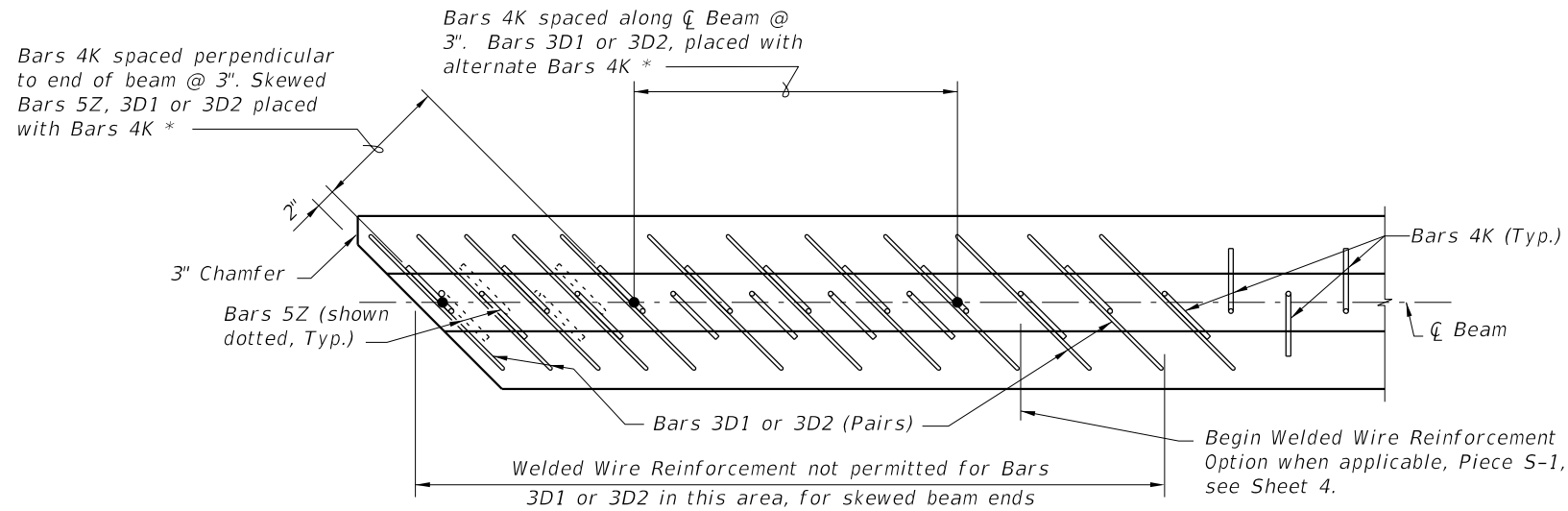
**AASHTO TYPE II BEAM**

INDEX NO. 20120	SHEET NO. 1 of 4
--------------------	---------------------



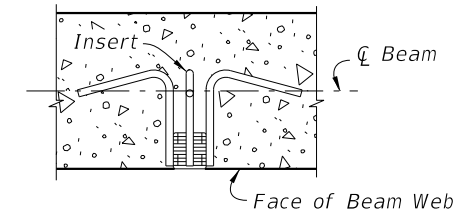
**PARTIAL PLAN VIEW (SHOWING TOP FLANGE)**  
 (End 1 Shown, End 2 Similar)  
 (Bars 5A, 4Y & Strands N not shown for clarity)

\* For number of Bars, spacing and placement details see Sheet 3. See Sheet 3 for Conventional Reinforcement, Sheet 4 for Welded Wire Reinforcement.



**PARTIAL SECTION THRU WEB (SHOWING BOTTOM FLANGE)**  
 (End 1 Shown, End 2 Similar)  
 (Bars 4Y & Strands not shown for clarity)

**SKewed BEAM END DETAILS FOR WIDENING EXISTING BRIDGES**

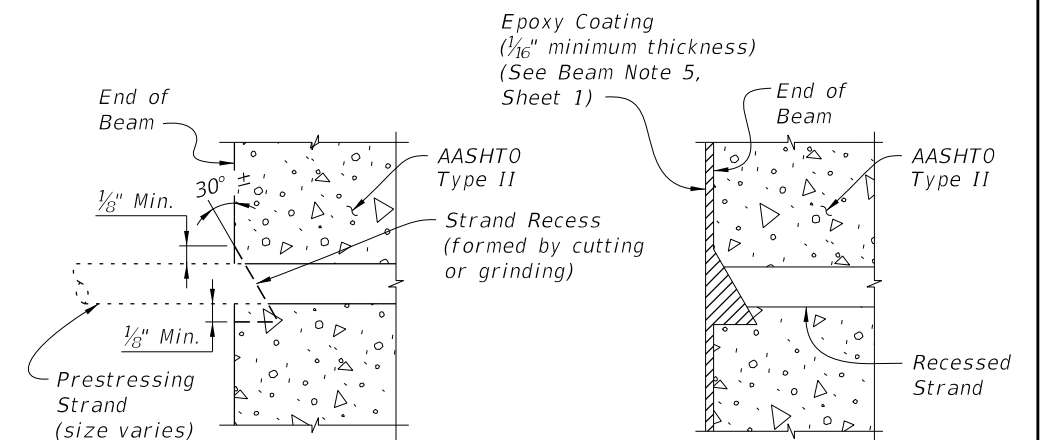


**PLAN SECTION THRU BEAM WEB AT INSERT FOR DIAPHRAGM REINFORCING**  
 (When Intermediate Diaphragms are Required by Design)

**INSERT NOTES**

1. Provide 1" Ø, zinc-electroplated, ferrule wing nut or coil inserts, UNC threads, 1/0 minimum gage wire, not more than 4" in depth with a minimum ultimate tensile strength of 11,400 lbs. in 4,000 psi concrete.
2. If inserts are needed on both sides (faces) of beam webs, an assembly as long as the thickness of the beam web, consisting of two (2) ferrule or coil inserts attached by two (2) or more struts may be utilized. The connecting struts shall have a minimum ultimate tensile strength of 11,400 lbs.
3. Inserts for diaphragm reinforcing are required at each end of each intermediate diaphragm shown on the Beam Framing Plan and may be required at the end of the beams when end diaphragms are shown. See Superstructure and Beam Framing Plans for longitudinal location of inserts for each face of beam.

**INSERT DETAIL**



**TYPICAL SECTION SHOWING CUT STRAND RECESS LIMITS**

**TYPICAL SECTION AFTER PROTECTING**

**STRAND CUTTING AND PROTECTING DETAIL**

**DETAILS AND NOTES**

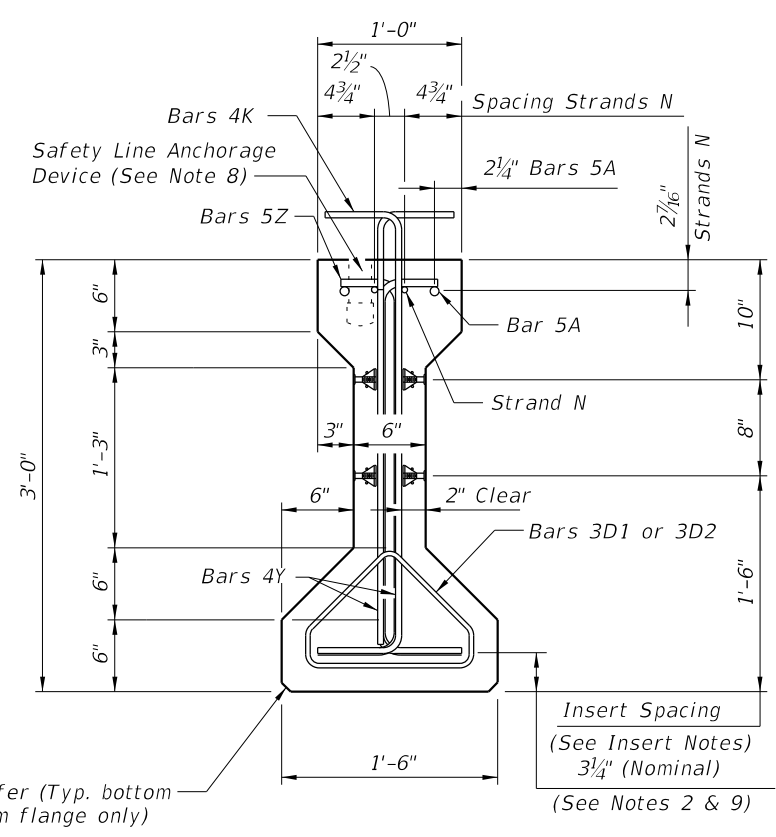
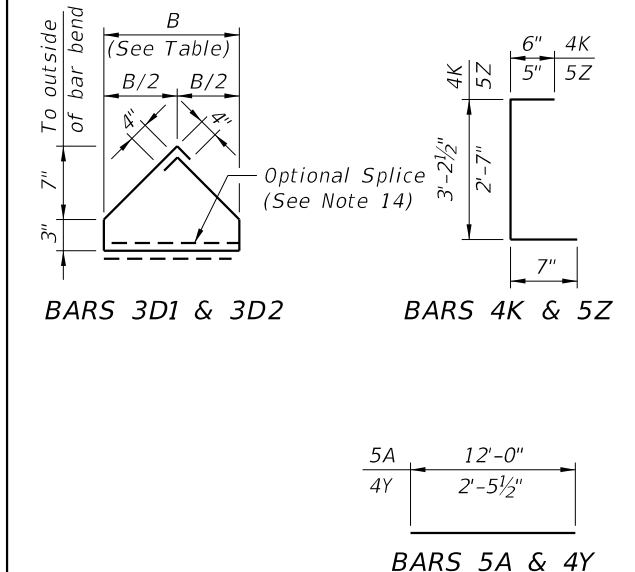
LAST REVISION	DESCRIPTION:
07/01/14	

12/17/2015 1:21:51 PM

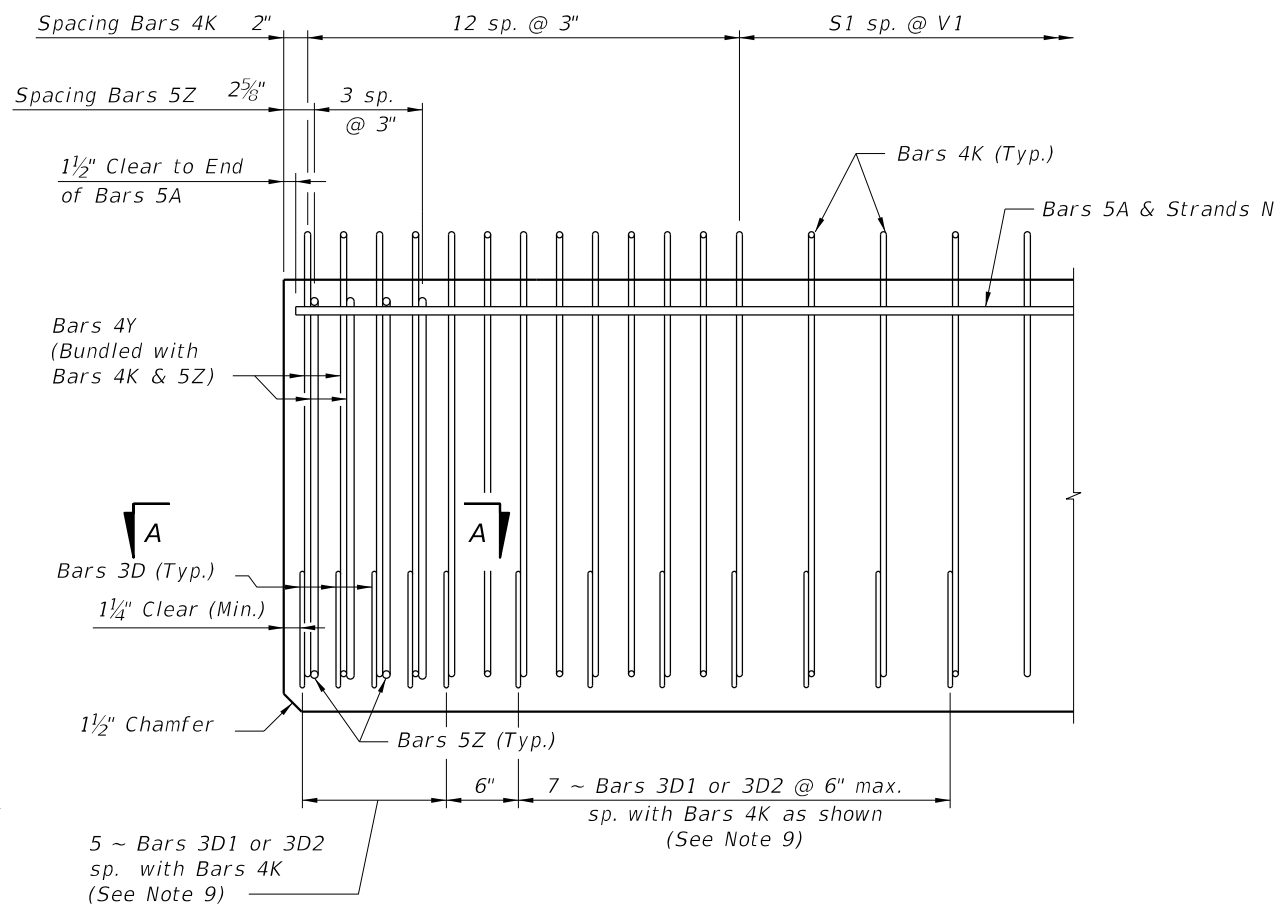
**BILL OF REINFORCING STEEL FOR ONE BEAM ONLY**

MARK	NOTE NUMBERS	SIZE	NUMBER REQUIRED	LENGTH (NOTE 1)
A	—	5	4	12'-0"
D1	9, 11 & 14	3	12	See Table
D2	9, 11 & 14	3	12	See Table
K	2, 9, 11 & 13	4	See Table	4'-4"
N	3 & 5	$\frac{3}{8}$ " $\emptyset$ Strand	2	DIM L+5"
Y	9 & 11	4	8	2'-6"
Z	2, 9, 11 & 13	5	8	3'-7"

**BENDING DIAGRAMS (See Note 1)**

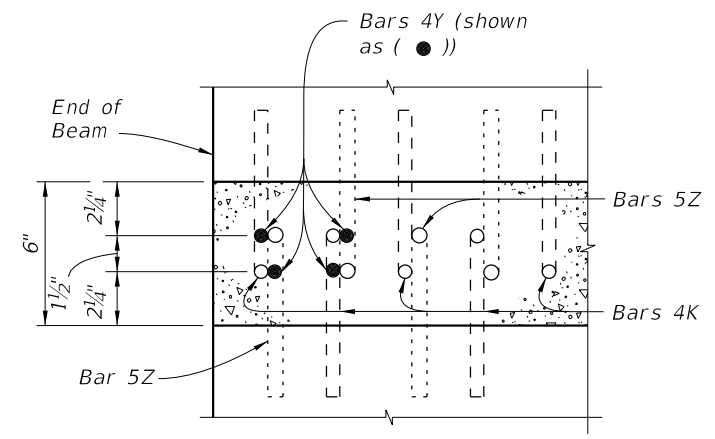


**END VIEW**

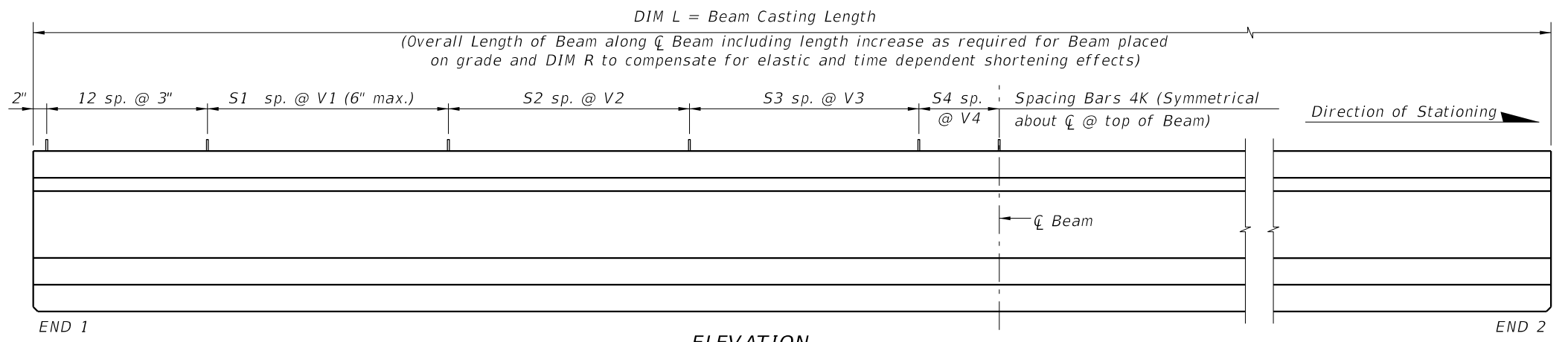


**ELEVATION AT END OF BEAM (Flanges Not Shown For Clarity)**

**NOTES:**  
 Work this Index with the AASHTO Type II Beam - Table of Beam Variables in Structures Plans.  
 For referenced notes, see Sheet 1.  
 For Dimensions L, R, V1 thru V4 and number of spaces S1 thru S4, see AASHTO Type II Beam - Table of Beam Variables.



**SECTION A-A (Showing Bars 4K, 4Y & 5Z Only)**



**ELEVATION**

12/17/2015 1:21:52 PM

LAST REVISION 07/01/13	DESCRIPTION:
---------------------------	--------------



**AASHTO TYPE II BEAM**

<b>STANDARD DETAILS</b>	
INDEX NO. 20120	SHEET NO. 3 of 4

