

NOTES:

1. Work with Index 11860.

2. Shop Drawings: Not required.

3. Materials:

- A. Steel Plate: ASTM A36 or ASTM A709 Grade 36
- B. Steel Pipe (Support Post): ASTM A501 Schedule 40
- C. Galvanized U-Bolts, Nuts and Plate Washer
 - a. U-Bolts: ASTM A449
 - b. Hex Nuts: ASTM A 536 Lock Nuts
 - c. Plate Washer: ASTM A 36 or ASTM A709 Grade 36 or 50
- D. Galvanized Anchor bolts, Nuts and Washers:
 - a. Anchor Rod: ASTM F1554 Grade 55 fully threaded (for Adhesive Anchors)
 - b. Anchor Bolts: ASTM F1554 Grade 55 Grade A Hex
 - c. Nuts: ASTM A563 Heavy Hex Locking
 - d. Washers: ASTM F436
- E. Adhesive Anchor Bonding Material: Specification Section 931 Type HV Adhesive.
- F. Weld Material: E70XX
- G. Snap-In Post Cap: UV and weather-resistant glass-filled polyester cap

4. Coating:

- A. U-Bolts, Threaded Rods, Nuts and Washers: ASTM F2329
- B. Other Steel: ASTM A123

5. Fabrication:

- A. Weld: Specification Section 460-6.4
- B. Hot dip galvanize after fabrication

6. Construction:

- A. Locate Sign Support a minimum of 5 feet from an open joint or transition (sign stationing may be adjusted to accommodate this requirement).
- B. Base plate must be flush with back of Traffic Railing
- C. Anchors in Traffic Railings:
 - a. Install Adhesive Anchors in accordance with Specification section 416 except perform field test on one anchor per sign support location.
 - b. Use templates and tie anchors as necessary to maintain correct placement of C-I-P Embedded Anchors
 - c. Do not drill into existing conduit
- D. Temporary Signs on Permanent Traffic Railings: Same as Permanent except field testing of anchors is not required
- E. Temporary Signs on Temporary Railings/Barriers:
 - a. Install Sign Supports at the midpoint along the length of a single segment
 - b. Avoid drilling through existing reinforcement; use of metal detector not required
 - c. Field testing of anchors is not required

7. Removal of Temporary Signs on Permanent Traffic Railings:

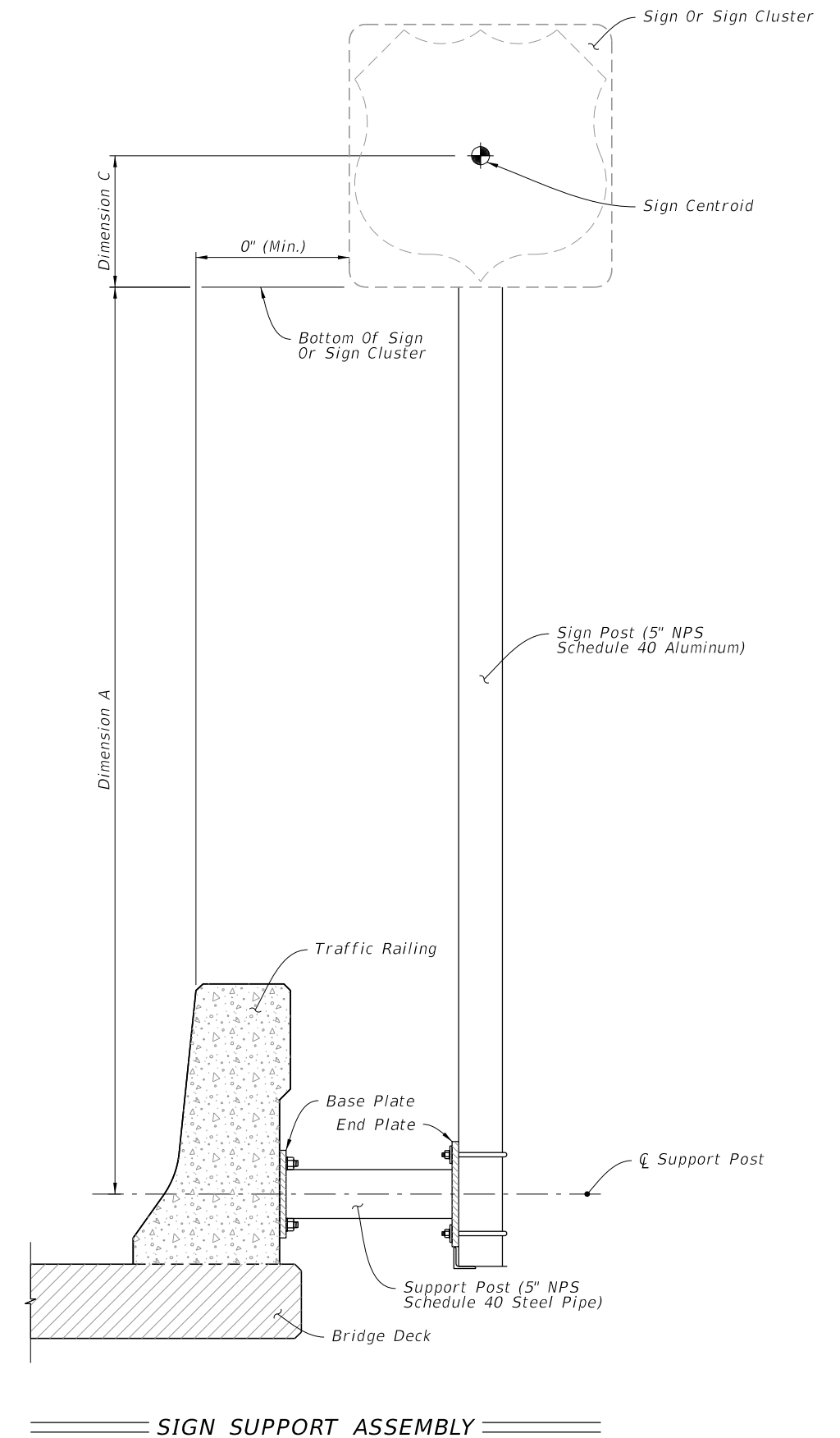
- A. Cut anchor rods flush with the top of the railing
- B. Coat anchors with Type F-1 epoxy to prevent corrosion
 - a. Extend coating 2 inches beyond edge of cut anchor rods
 - b. Epoxy coating 1/16" thick minimum

8. Payment:

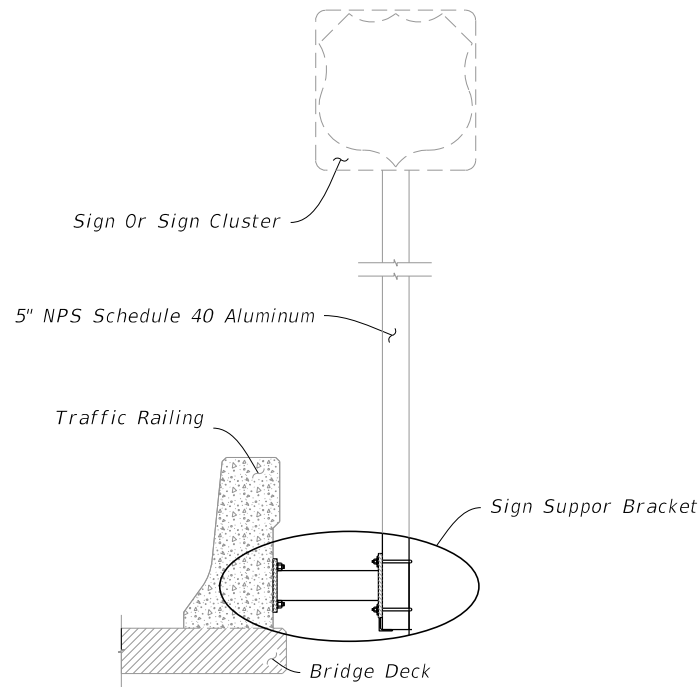
Include the cost of all materials and labor in the cost of the single post sign assembly.

SIGN LIMITATIONS TABLE		
MAX. WIND SPEED (MPH)	MAX. SIGN AREA (SF)	MAX. SIGN CENTROID HEIGHT (DIM. A + DIM. C)
110	30	9'-10"
130	25	9'-7"
150	20	9'-7"

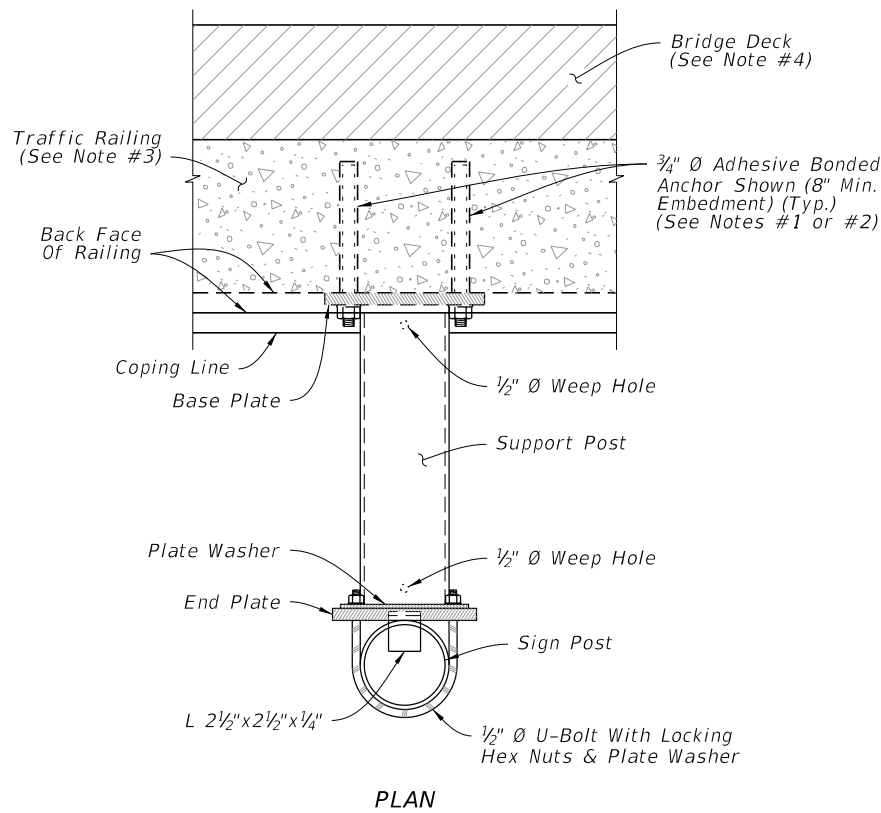
Dimension A = Distance from centerline of the Support Post to the bottom of the sign or sign cluster.
 Dimension C = Vertical distance from the bottom of the sign or sign cluster to the Centroid of the sign or sign cluster.



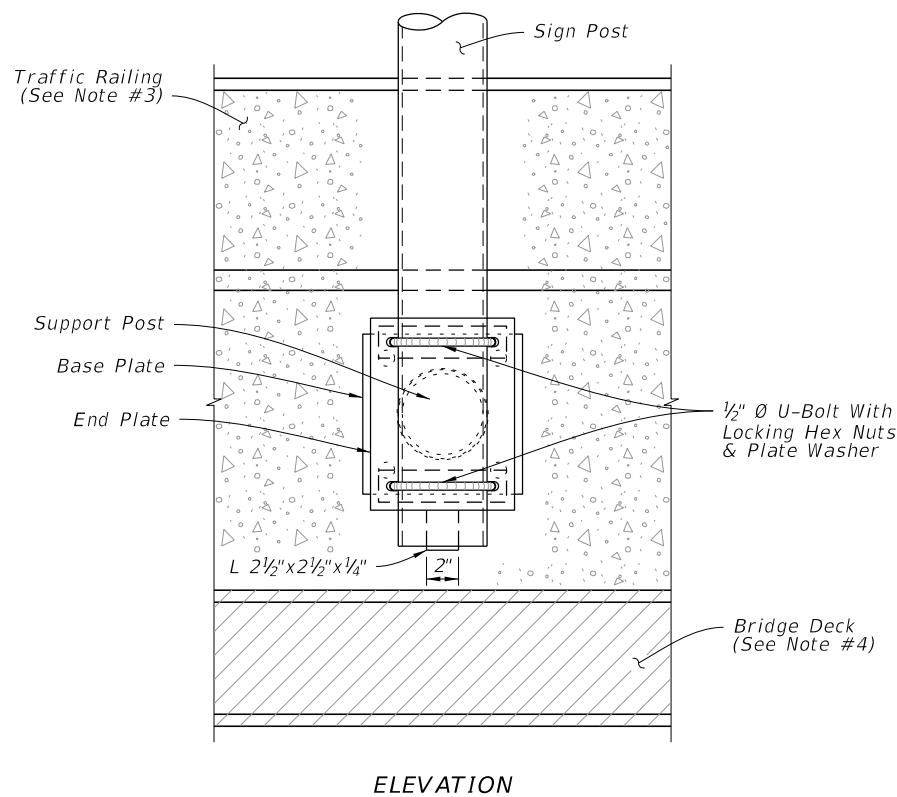
11/30/2015 2:19:17 PM



SIGN SUPPORT ASSEMBLY

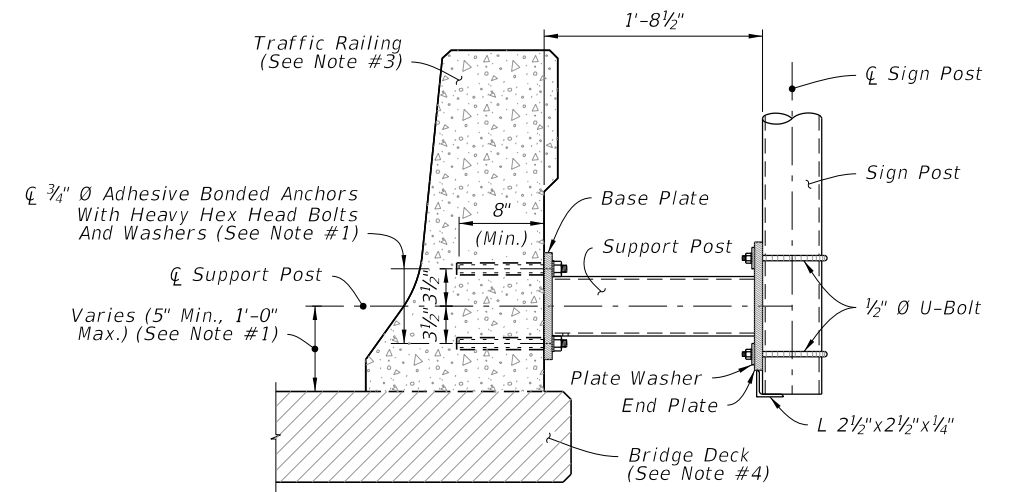


PLAN

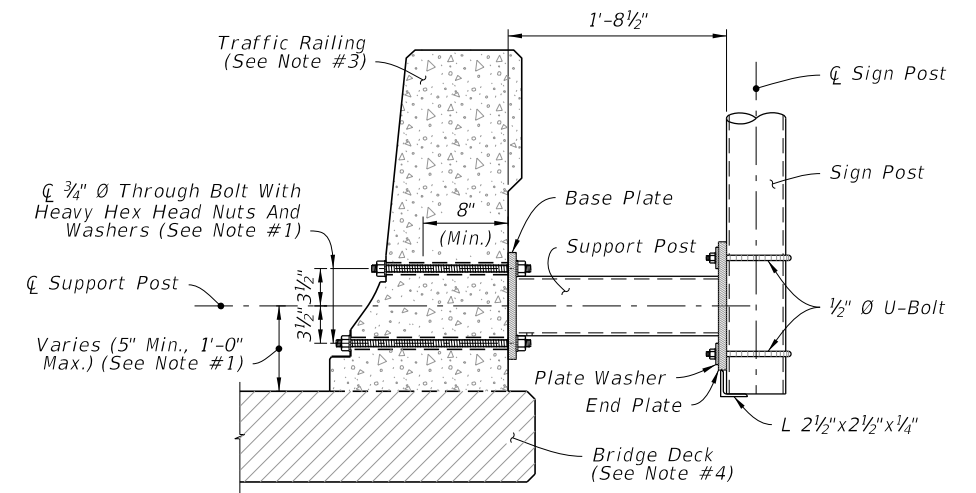


ELEVATION

SIGN SUPPORT BRACKET

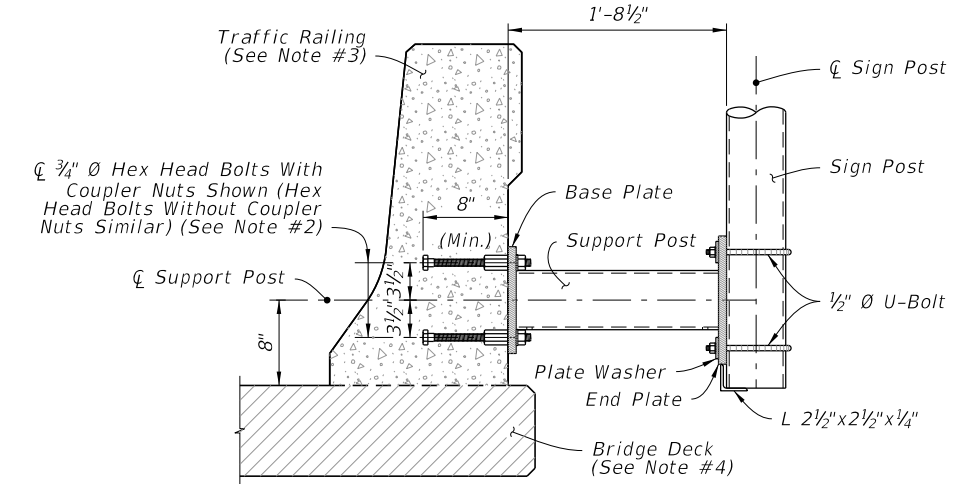


ADHESIVE BOND



THROUGH BOLTING

TYPICAL SECTION - EXISTING RAILING



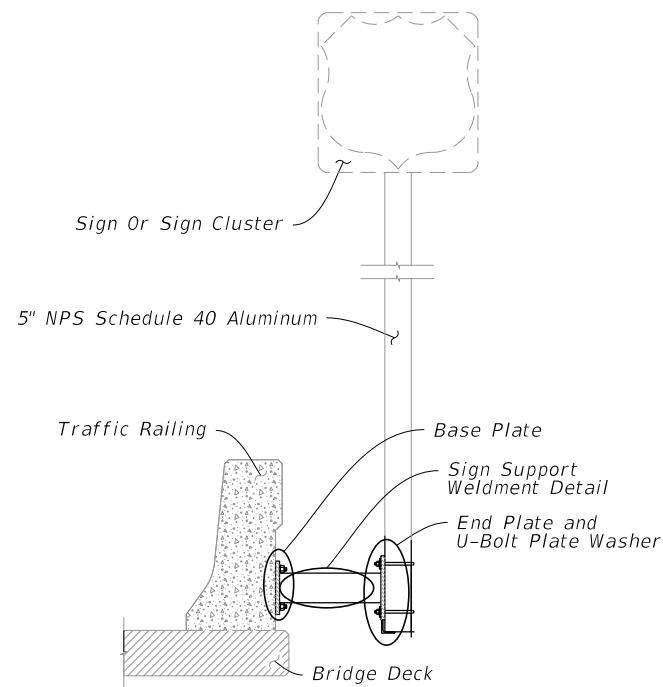
TYPICAL SECTION - NEW CONSTRUCTION

NOTES:

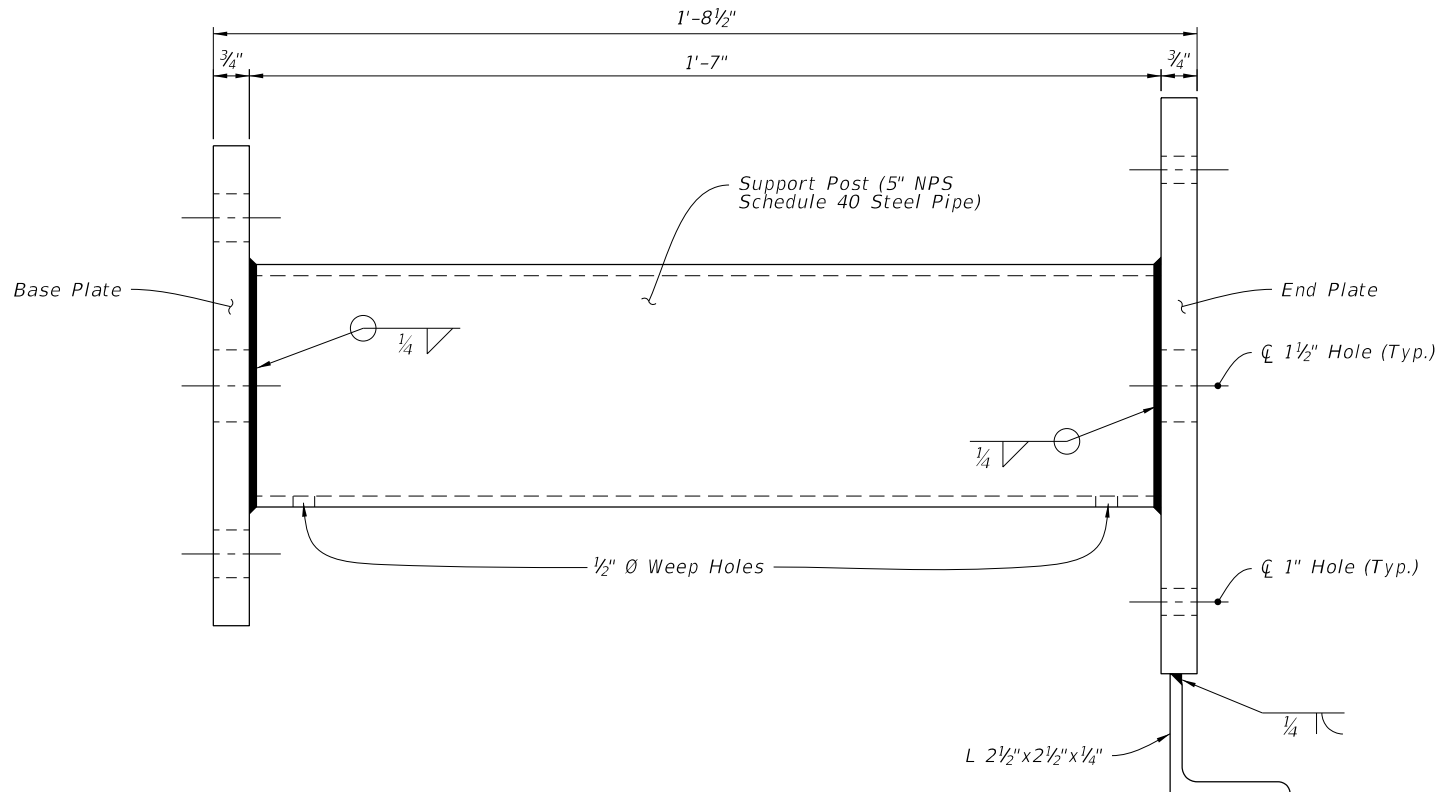
1. Existing Traffic Railings:
 - A. Locate existing conduit prior to drilling and adjust placement of base plate as necessary to avoid damaging existing conduit. Base plate must be flush with back of traffic railing. Maintain a minimum cover 2" from face of traffic railing to tip of Adhesive Anchor.
 - B. For concrete parapets less than 10" thick, through bolt 3/4" Ø Heavy Hex Head Bolts with Nuts and Washers in lieu of Adhesive Bonded Anchors. Bolt heads shall not protrude more than 1 1/2" beyond traffic face of railing.
 - C. For through bolting, cut front face of the traffic railing so that washer is flush with the concrete.
2. New Traffic Railings:
 - A. Optional Couplers are shown for slipforming; keep Anchor Bolt coupler threads free of concrete.
3. 32" F-Shape Traffic Railing shown, other Traffic Railings and Parapets are similar.
4. Bridge Deck shown, Approach Slab and Retaining Wall are similar.

11/30/2015 2:19:18 PM

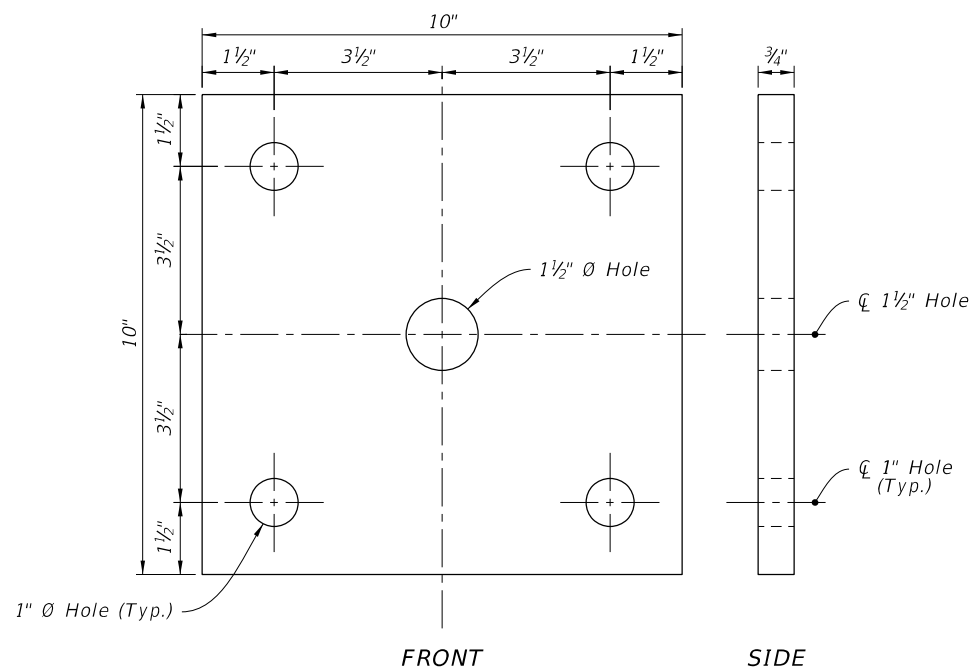
LAST REVISION 01/01/16	REVISION	DESCRIPTION:	FY 2016-17 DESIGN STANDARDS	SINGLE POST BRIDGE MOUNTED SIGN SUPPORT	INDEX NO. 11870	SHEET NO. 2 of 3
---------------------------	----------	--------------	--	--	---------------------------	----------------------------



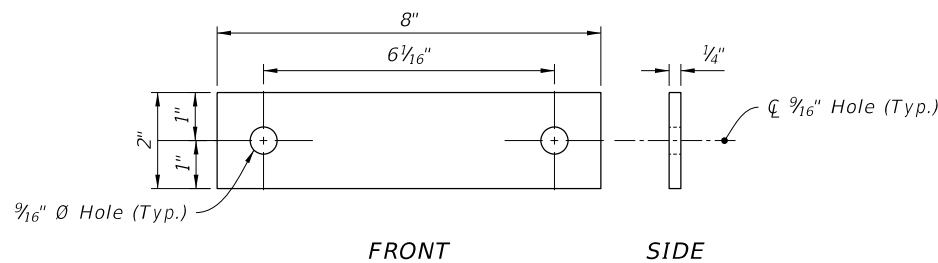
SIGN SUPPORT ASSEMBLY



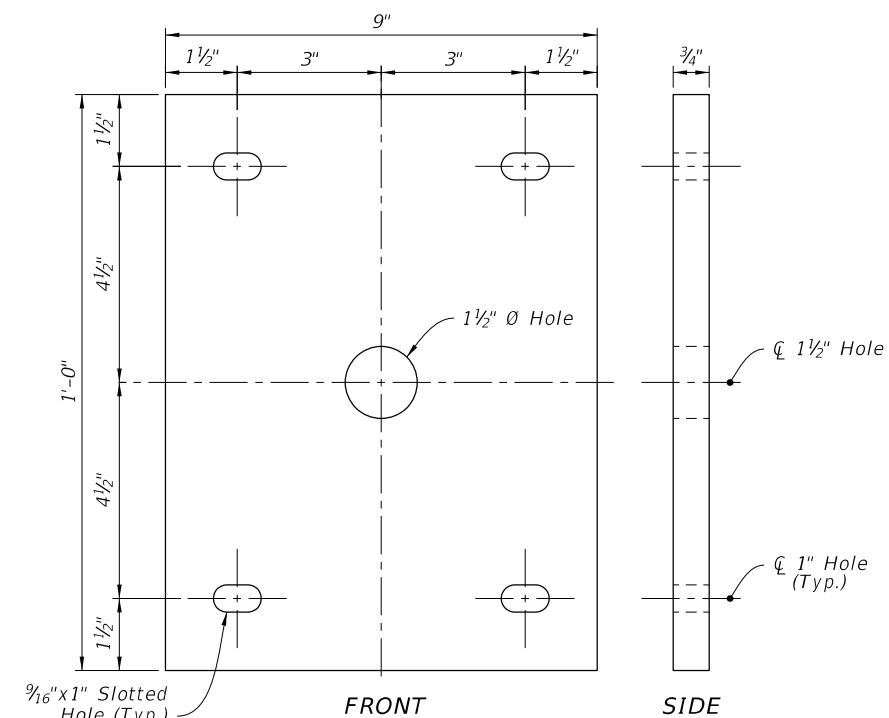
SIGN SUPPORT WELDMENT DETAIL



BASE PLATE



U-BOLT PLATE WASHER



END PLATE

11/30/2015 2:19:19 PM

LAST REVISION
01/01/16

REVISION

DESCRIPTION:



FY 2016-17
DESIGN STANDARDS

SINGLE POST BRIDGE MOUNTED SIGN SUPPORT

INDEX NO.
11870

SHEET NO.
3 of 3