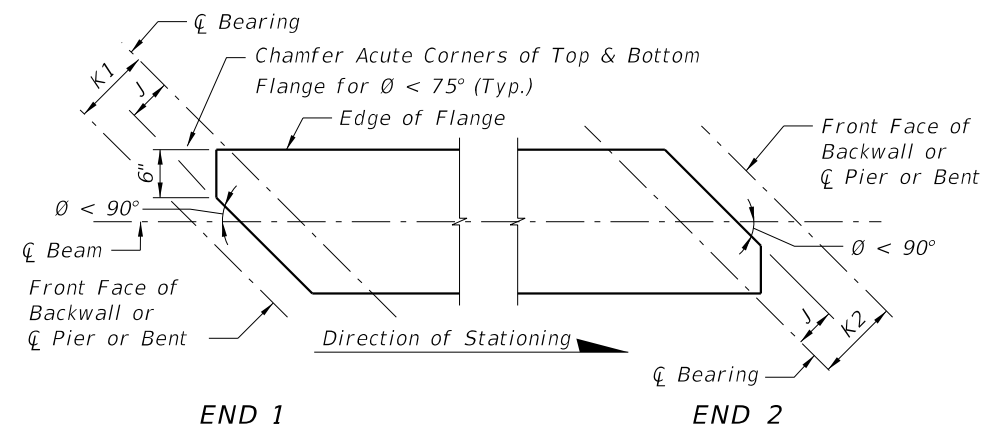
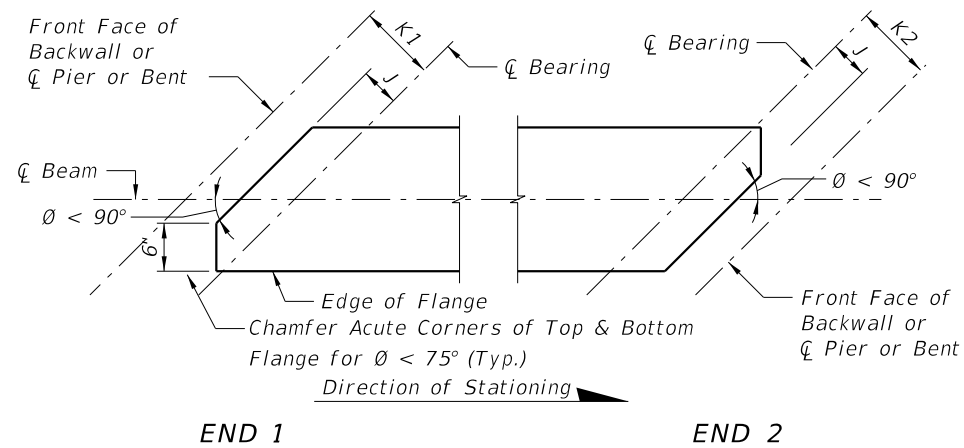


**CASE 1**  
(Standard Orientation for New Construction)

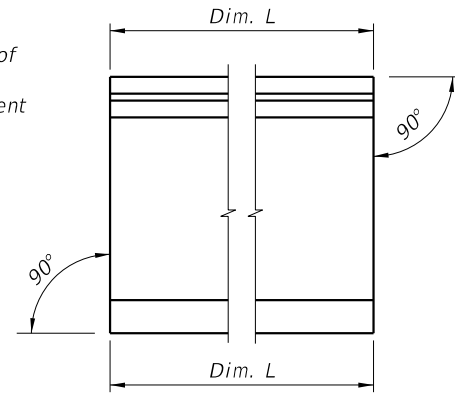


**CASE 2**  
(Special Orientation for Widening)

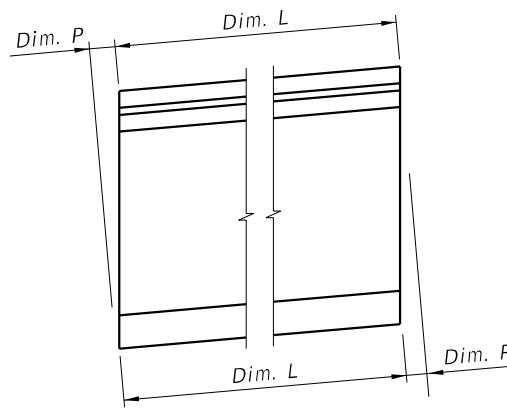


**CASE 3**  
(Special Orientation for Widening)

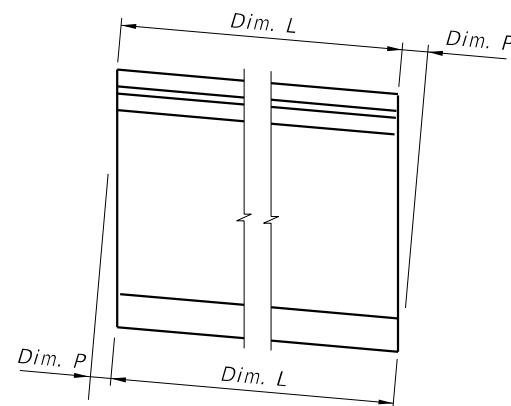
**SCHEMATIC PLAN VIEWS AT BEAM ENDS**



**CONDITION 1**  
(Dim P = 0.0)



**CONDITION 2**



**CONDITION 3**

**SCHEMATIC END ELEVATIONS OF BEAMS**  
(Showing Vertical Bevel of Beam End)

**BEAM NOTES**

- All bar dimensions are out-to-out.
- Place one (1) Bar 5K or 5Z at each location as detailed alternating the direction of the ends for each bar (see "ELEVATION AT END OF BEAM", Index Nos. 20036, 20045, 20054, 20063, 20072, 20078, 20084 and 20096).
- Strands N shall be ASTM A416, Grade 270, seven-wire strands  $\frac{3}{8}$ "  $\phi$  or larger, stressed to 10,000 lbs. each.
- For beams with ends not to be encased in permanent concrete diaphragms, after detensioning cut wedge to recess Prestressing Strands at the end of the beam without damaging the surrounding concrete. See STRAND CUTTING AND PROTECTING DETAIL on Sheet 2.
- For beams with ends not to be encased in permanent concrete diaphragms, protect end of recessed strands in accordance with Specification Section 450.
- Unless otherwise noted, the minimum concrete cover for reinforcing steel shall be 2".
- At the Contractor's option, welded deformed wire reinforcement may be used in lieu of Bars 3D, 5K, 4M, and 5Z as shown on the Standard Details for each beam size. Welded deformed wire reinforcement shall meet requirements of Specification Section 931.
- Safety Line Anchorage Devices or sleeves are required and permitted in the top flange only to accommodate fall protection systems used during construction. See shop drawings for details and spacing of any required embedments.
- For beams with skewed end conditions, the end reinforcement, defined as Bars 3C1, 3C2, 3D1, 3D2, 5K, 4M1, 4M2, 5Y and 5Z placed within the limits of the spacing for Bars 3C in "ELEVATION AT END OF BEAM", shall be placed parallel to the skewed end of the beam. Bars 3D3, 5K and 4M3 located beyond the limits of Bars 3C shall be placed perpendicular to the longitudinal axis of the beam. Fan Bars as needed to avoid overlapping bars at the transition to Bars 3D3 and 4M3, and field cut to maintain minimum cover. Provide additional Bars 4M1, 4M2, 3D1 and 3D2 as required; additional bars are not included in the Number Required on the "BILL OF REINFORCING STEEL". For placement locations, see "SKEWED BEAM END DETAILS". Adjust the dimensions of Bars 3C1, 3C2, 3D1, 3D2, 4M1 and 4M2 as shown on the "BENDING DIAGRAM" for skewed end conditions.
- Placement of Bars 3C1, 3D1 and 4M1 correspond to END 1, and Bars 3C2, 3D2 and 4M2 correspond to END 2. END 1 and END 2 are shown on the beam "ELEVATION".
- For Beams with vertically beveled end conditions, place first row of Bars 3C1, 3C2, 3D1, 3D2, 5K, 5Y and 5Z parallel to the end of the beam. Progressively rotate remaining bars within the limits of Bars 5Z until vertical by adjusting the spacing at the top of beam up to a maximum of 1". For welded deformed wire reinforcement, cut top cross wire and rotate bars as required or reduce end cover at top of the beam to minimum 1".
- For beams with skewed end conditions, welded deformed wire reinforcement shall not be used for end reinforcement (Bars 3D1, 3D2, 4M1 and 4M2).
- Bars 5K and 5Z shall be placed and tied to the fully bonded strands in the bottom or center row (see "STRAND PATTERN" on the Table of Beam Variables in Structures Plans). At the Contractor's option the length of the bottom legs of Bars 5K and 5Z may be extended to facilitate tying to the exterior strands. For welded deformed wire reinforcement, supplemental transverse #4 bars are permitted to support Pieces K & S under the cross wires on the bottom row of strands.
- At the Contractor's option, Bars 3D1, 3D2 and 3D3 may be fabricated as a single bar with a 1'-0" minimum lap splice of the top legs, or the length of the bottom legs may be extended to facilitate tying to the exterior strands.
- For referenced Dimensions, Angles and Case Numbers, see the Table of Beam Variables in Structures Plans.

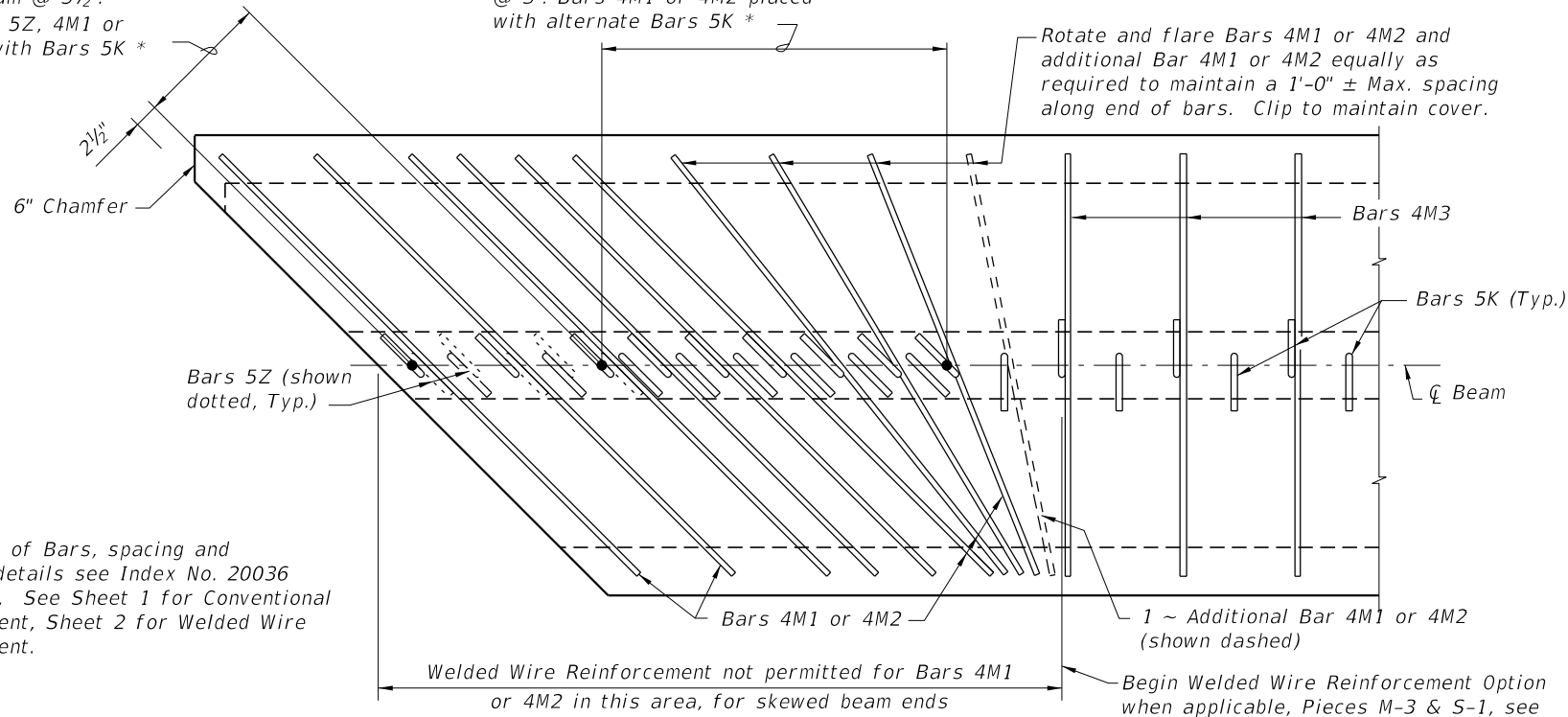
6/24/2015 7:06:53 AM

LAST REVISION 07/01/14	REVISION	DESCRIPTION:
---------------------------	----------	--------------

Bars 5K spaced perpendicular to end of beam @ 3 1/2". Skewed Bars 5Z, 4M1 or 4M2 placed with Bars 5K \*

Bars 5K spaced along  $\phi$  Beam @ 3". Bars 4M1 or 4M2 placed with alternate Bars 5K \*

Rotate and flare Bars 4M1 or 4M2 and additional Bar 4M1 or 4M2 equally as required to maintain a 1'-0"  $\pm$  Max. spacing along end of bars. Clip to maintain cover.

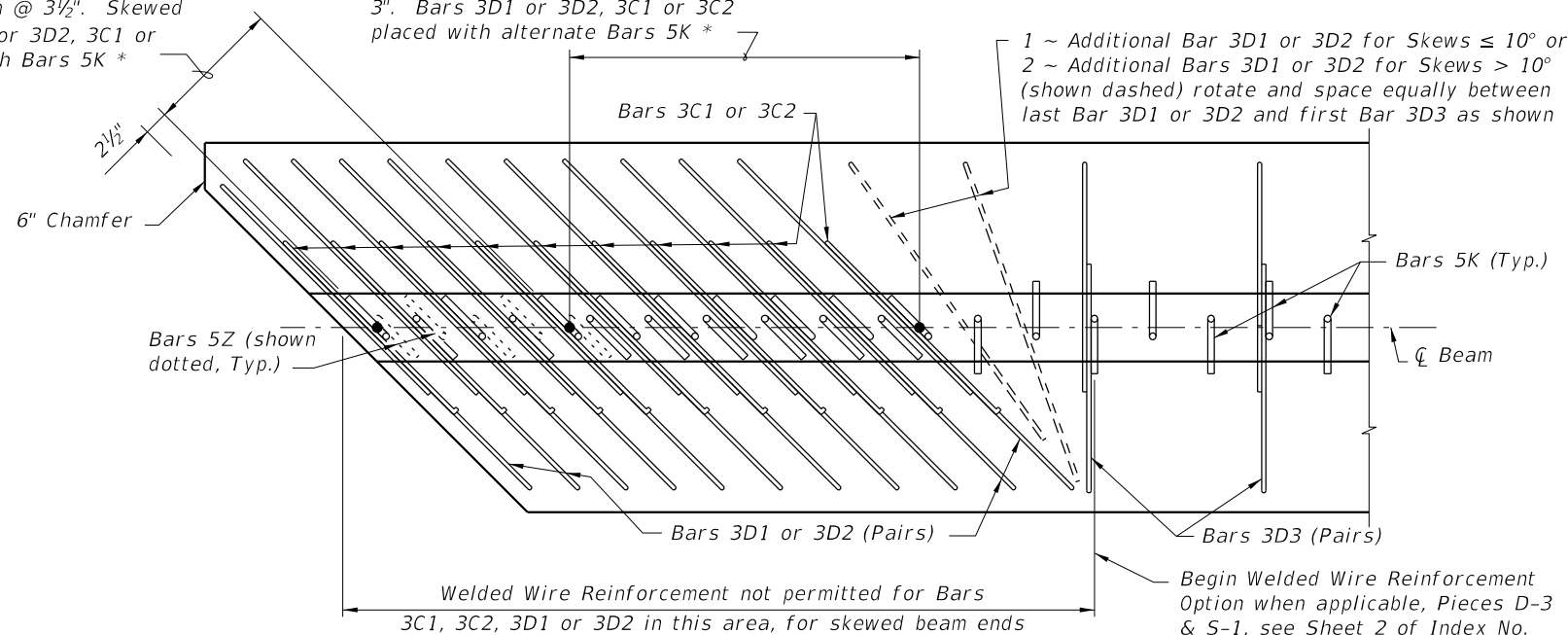


**PARTIAL PLAN VIEW (SHOWING TOP FLANGE)**  
(End 1 Shown, End 2 Similar)  
(Bars 5A, 5Y & Strands N not shown for clarity)

Bars 5K spaced perpendicular to end of beam @ 3 1/2". Skewed Bars 5Z, 3D1 or 3D2, 3C1 or 3C2 placed with Bars 5K \*

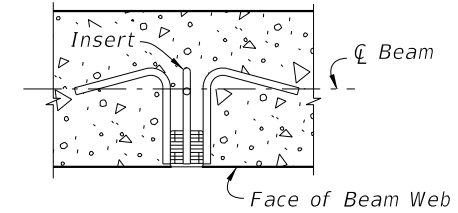
Bars 5K spaced along  $\phi$  Beam @ 3". Bars 3D1 or 3D2, 3C1 or 3C2 placed with alternate Bars 5K \*

1 ~ Additional Bar 3D1 or 3D2 for Skews  $\leq 10^\circ$  or 2 ~ Additional Bars 3D1 or 3D2 for Skews  $> 10^\circ$  (shown dashed) rotate and space equally between last Bar 3D1 or 3D2 and first Bar 3D3 as shown



**PARTIAL SECTION THRU WEB (SHOWING BOTTOM FLANGE)**  
(End 1 Shown, End 2 Similar)  
(Bars 5Y, Strands, and Embedded Bearing Plate "A" not shown for clarity)

**SKEWED BEAM END DETAILS FOR WIDENING EXISTING BRIDGES**  
(Florida-I 36 Beam shown, others similar)

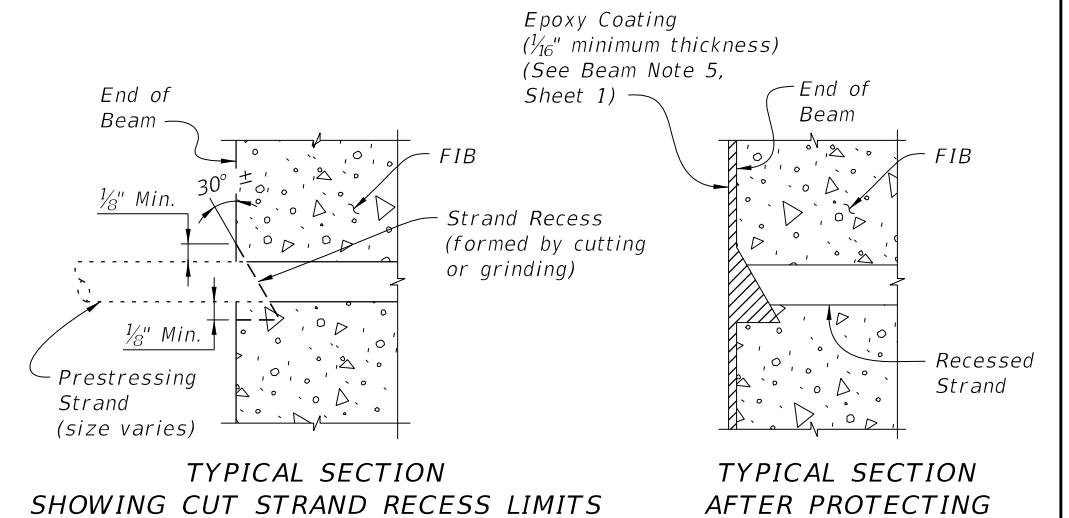


**PLAN SECTION THRU BEAM WEB AT INSERT FOR DIAPHRAGM REINFORCING**  
(When Intermediate Diaphragms are Required by Design)

**INSERT NOTES**

1. Provide 1"  $\phi$ , zinc-electroplated, ferrule wing nut or coil inserts, UNC threads, 1/0 minimum gage wire, not more than 4" in depth with a minimum ultimate tensile strength of 11,400 lbs. in 4,000 psi concrete.
2. If inserts are needed on both sides (faces) of beam webs, an assembly as long as the thickness of the beam web, consisting of two (2) ferrule or coil inserts attached by two (2) or more struts may be utilized. The connecting struts shall have a minimum ultimate tensile strength of 11,400 lbs.
3. Inserts for diaphragm reinforcing are required at each end of each intermediate diaphragm shown on the Beam Framing Plan and may be required at the end of the beams when end diaphragms are shown. See Superstructure and Beam Framing Plans for longitudinal location of inserts for each face of beam.

**INSERT DETAIL**



**TYPICAL SECTION SHOWING CUT STRAND RECESS LIMITS**

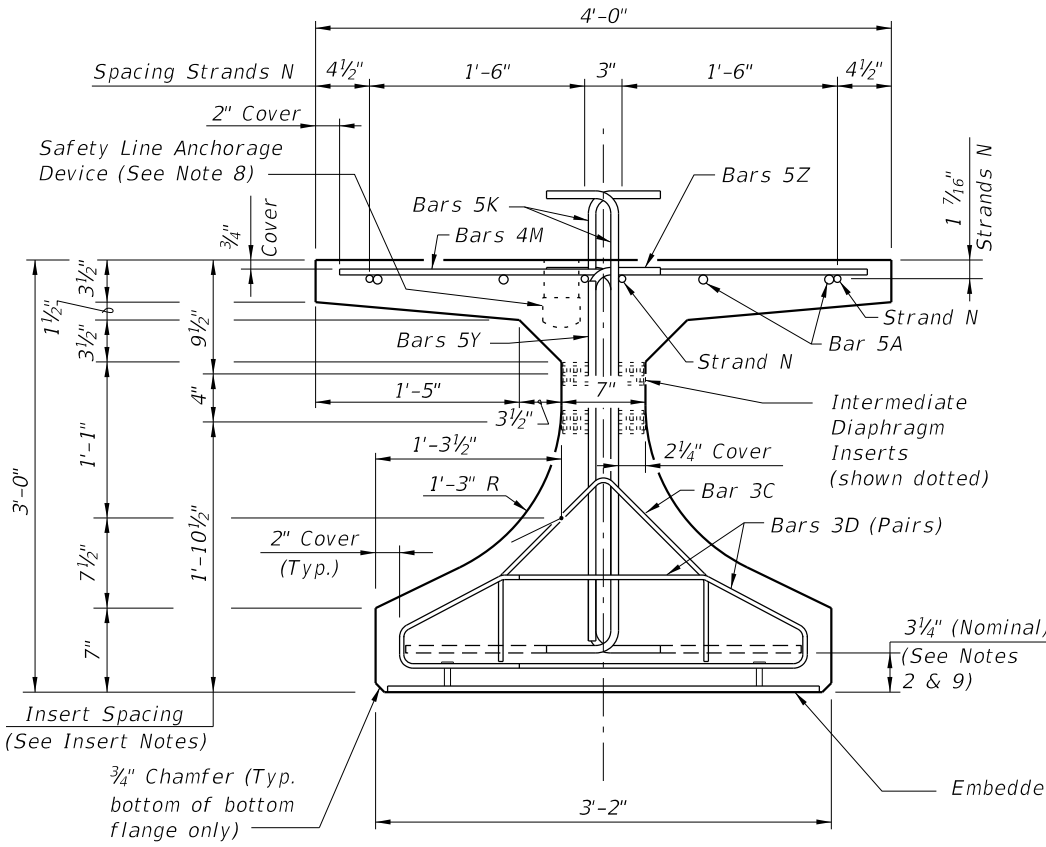
**TYPICAL SECTION AFTER PROTECTING**

**STRAND CUTTING AND PROTECTING DETAIL**

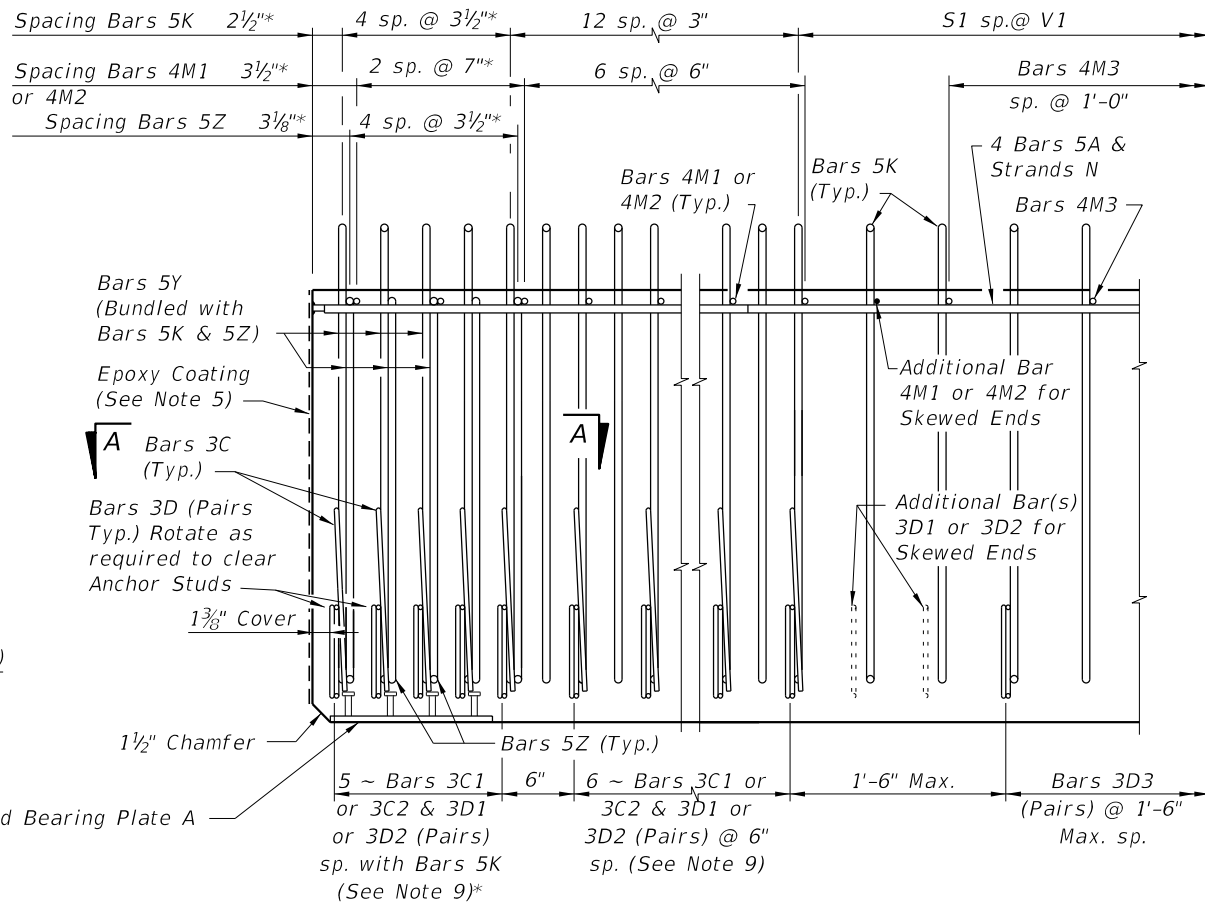
6/24/2015 7:06:54 AM

LAST REVISION	DESCRIPTION:
07/01/14	

\* These dimensions are measured perpendicular to the end of beam



END VIEW

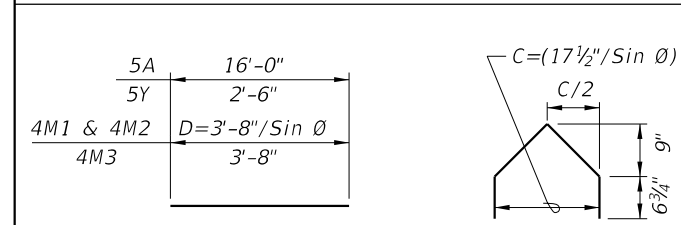


ELEVATION AT END OF BEAM  
(Flanges Not Shown For Clarity)  
(End 1 Shown, End 2 Similar)

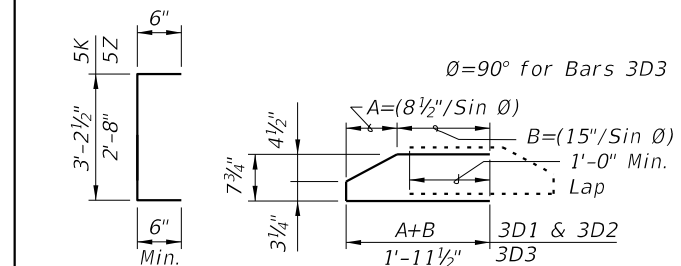
CONVENTIONAL REINFORCING  
BAR BENDING DETAILS

BILL OF REINFORCING STEEL				
MARK	NOTE NUMBERS	SIZE	NUMBER REQUIRED	LENGTH (NOTE 1)
A	—	5	8	16'-0"
C1	9, 10 & 11	3	11 (End 1)	Varies
C2	9, 10 & 11	3	11 (End 2)	Varies
D1	9, 10, 11 & 14	3	22 (End 1)	Varies
D2	9, 10, 11 & 14	3	22 (End 2)	Varies
D3	9 & 14	3	See Table	4'-3"
K	2, 9, 11 & 13	5	See Table	4'-2"
M1	9 & 10	4	9 (End 1)	Varies
M2	9 & 10	4	9 (End 2)	Varies
M3	9	4	See Table	3'-8"
N	3 & 4	3/8" Ø Strand	4	Dim. L
Y	9 & 11	5	12	2'-6"
Z	2, 9, 11 & 13	5	10	3'-8"

BENDING DIAGRAMS (See Note 1)

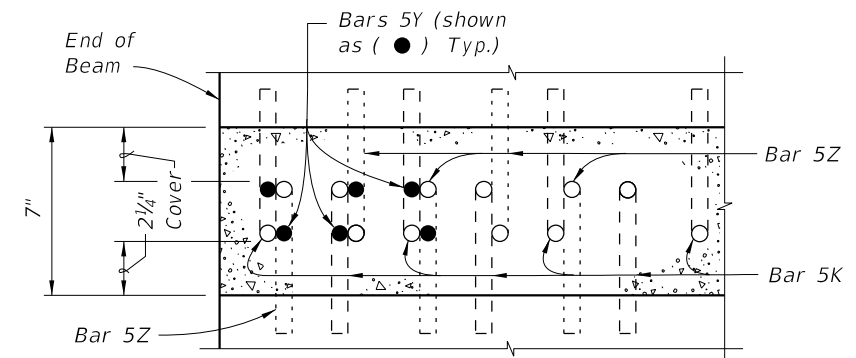


BARS 5A, 4M1, 4M2, BARS 3C1 & 3C2  
4M3 & 5Y

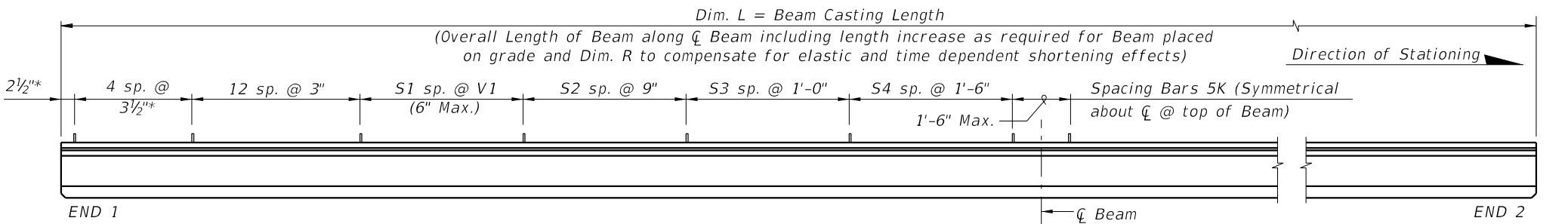


BARS 5K & 5Z BARS 3D1, 3D2 & 3D3

- NOTES:
- A. Work this Index with Index No. 20010 - Typical Florida-I Beam Details and Notes and the Florida-I Beam - Table of Beam Variables in Structures Plans.
  - B. For referenced notes, see Index No. 20010.
  - C. For Dimensions A, B, C, D, L, R & V1 and number of spaces S1 thru S4, see Florida-I Beam - Table of Beam Variables in Structures Plans.



SECTION A-A FOR CONVENTIONAL REINFORCING  
(Showing Bars 5K, 5Y & 5Z Only)

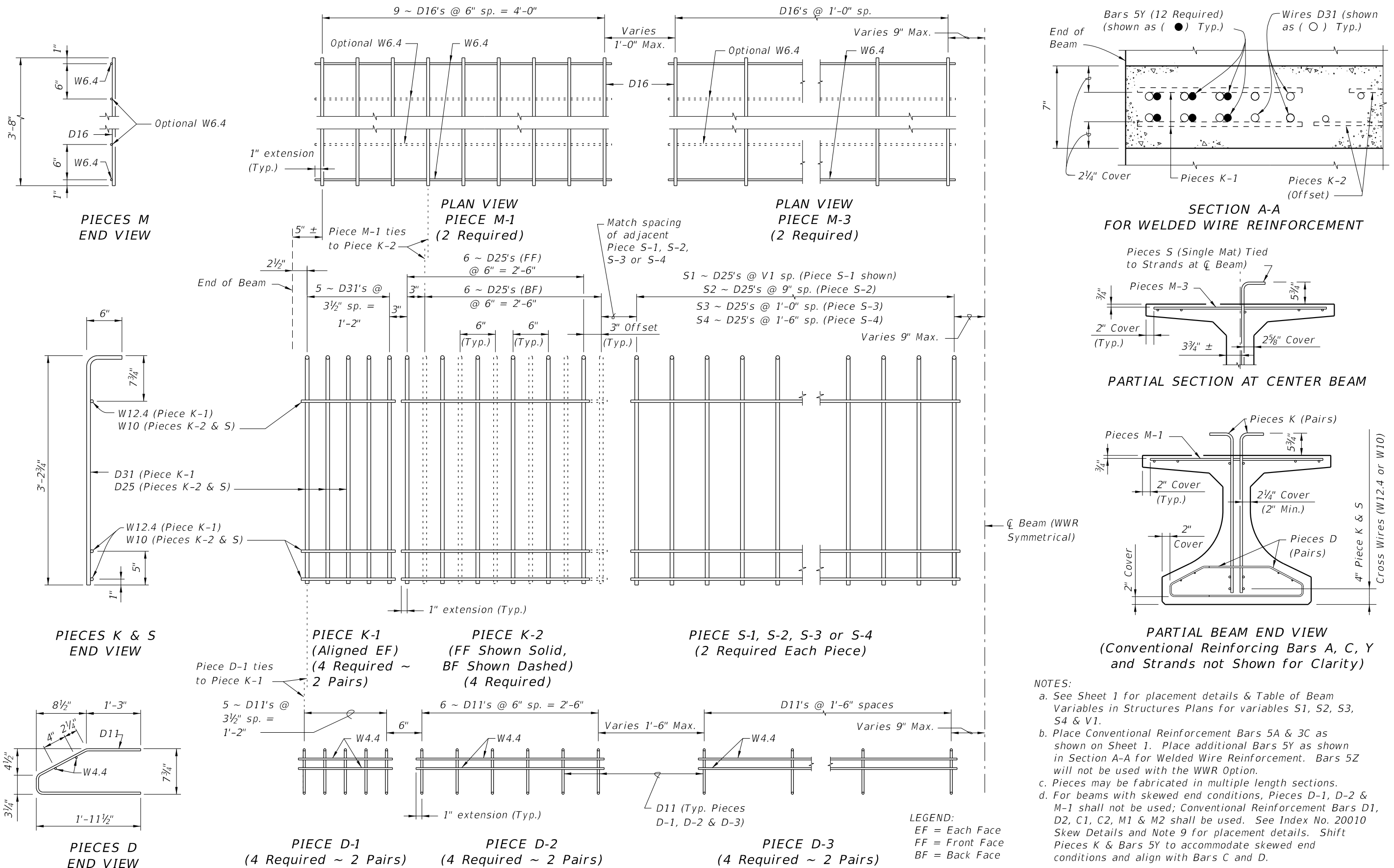


ELEVATION

6/24/2015 7:07:19 AM

LAST REVISION 07/01/12	DESCRIPTION:
---------------------------	--------------

ALTERNATE REINFORCING STEEL (WELDED WIRE REINFORCEMENT) DETAILS



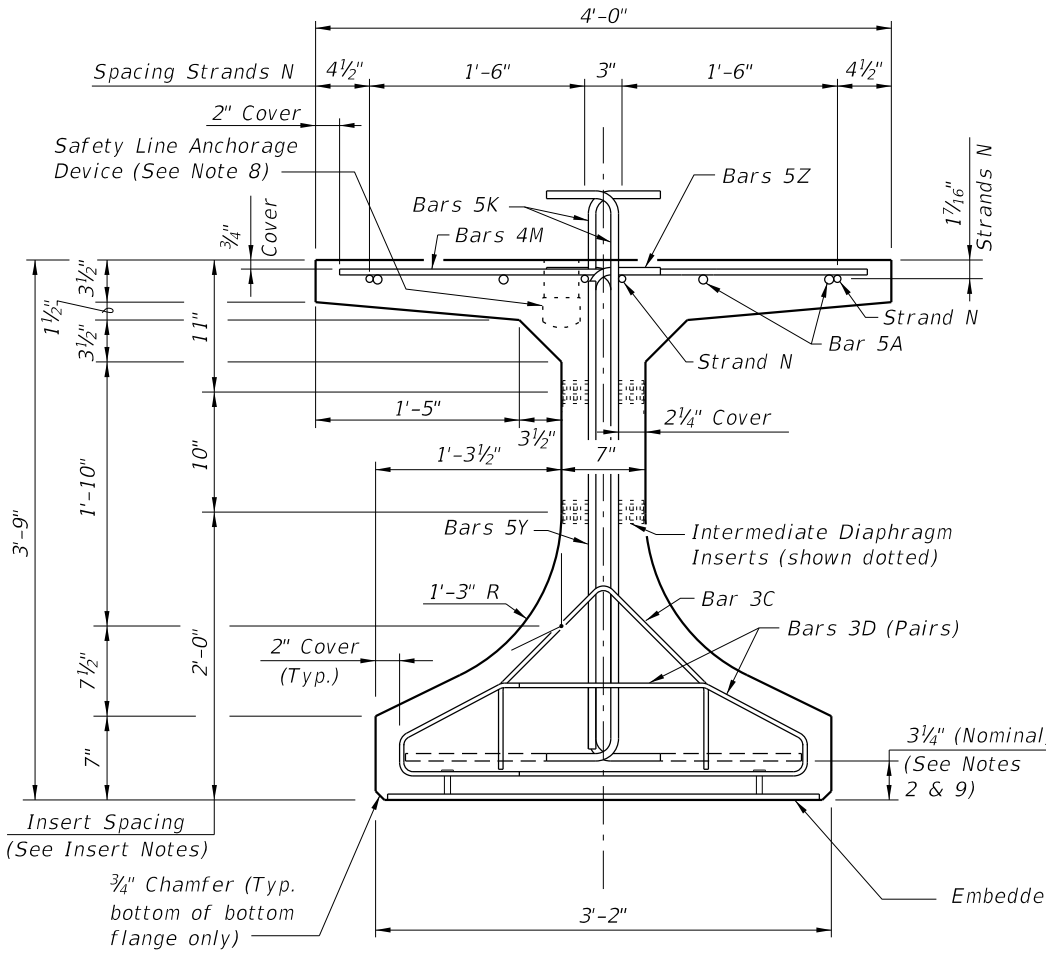
- NOTES:
- See Sheet 1 for placement details & Table of Beam Variables in Structures Plans for variables S1, S2, S3, S4 & V1.
  - Place Conventional Reinforcement Bars 5A & 3C as shown on Sheet 1. Place additional Bars 5Y as shown in Section A-A for Welded Wire Reinforcement. Bars 5Z will not be used with the WWR Option.
  - Pieces may be fabricated in multiple length sections.
  - For beams with skewed end conditions, Pieces D-1, D-2 & M-1 shall not be used; Conventional Reinforcement Bars D1, D2, C1, C2, M1 & M2 shall be used. See Index No. 20010 Skew Details and Note 9 for placement details. Shift Pieces K & Bars 5Y to accommodate skewed end conditions and align with Bars C and D.

6/24/2015 7:07:19 AM

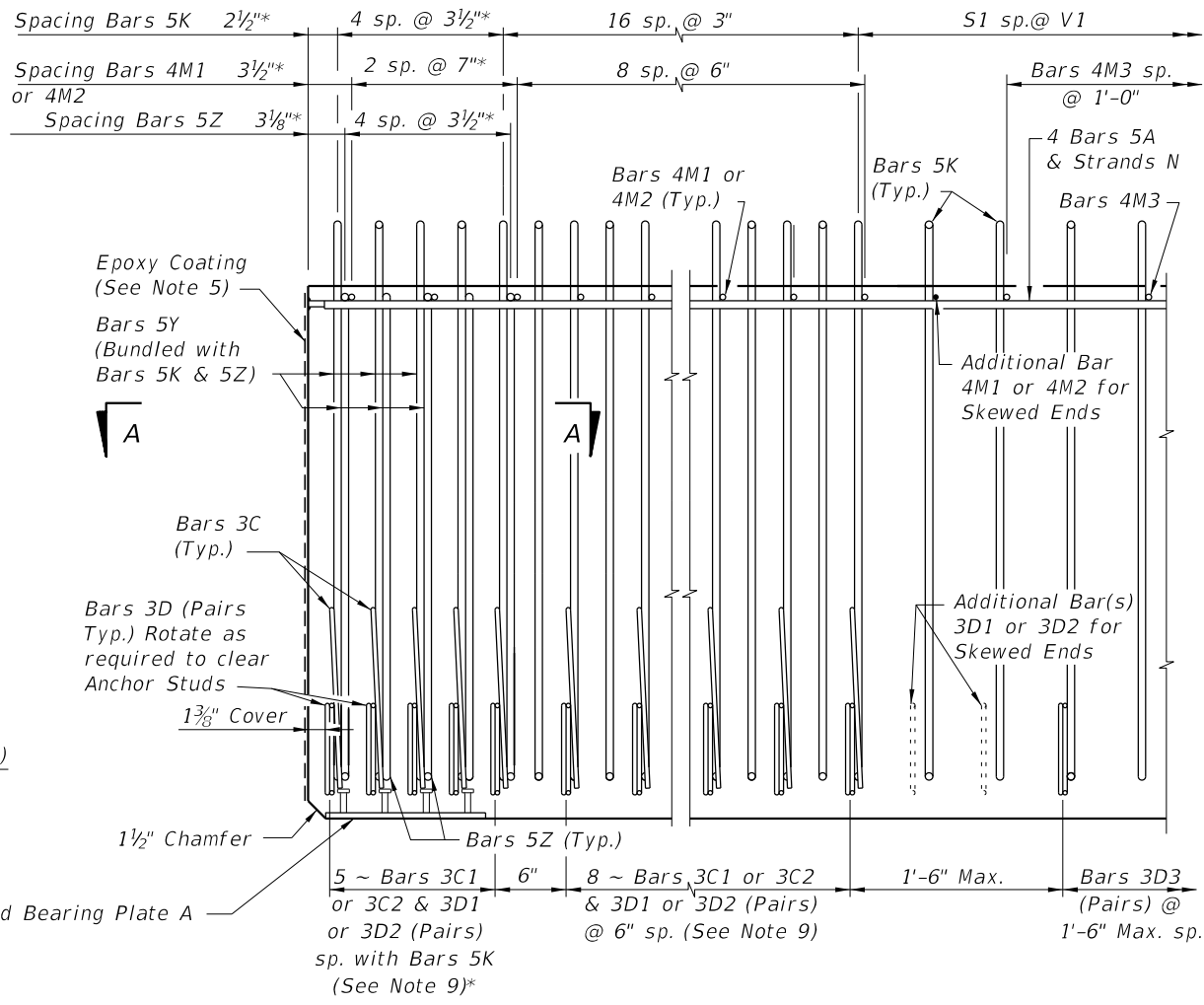
LAST REVISION 07/01/10	REVISION	DESCRIPTION:	 2016 DESIGN STANDARDS	FLORIDA-I 36 BEAM - STANDARD DETAILS	INDEX NO. 20036	SHEET NO. 2 of 2
---------------------------	----------	--------------	---------------------------	--------------------------------------	--------------------	---------------------



\* These dimensions are measured perpendicular to the end of beam



END VIEW

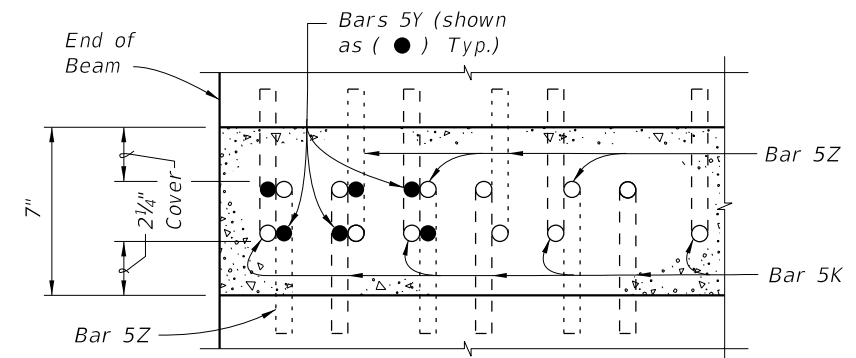
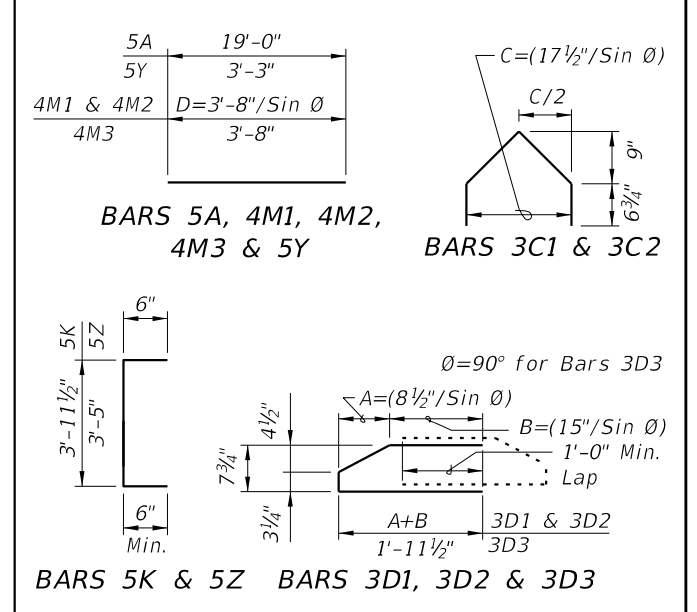


ELEVATION AT END OF BEAM  
(Flanges Not Shown For Clarity)  
(End 1 Shown, End 2 Similar)

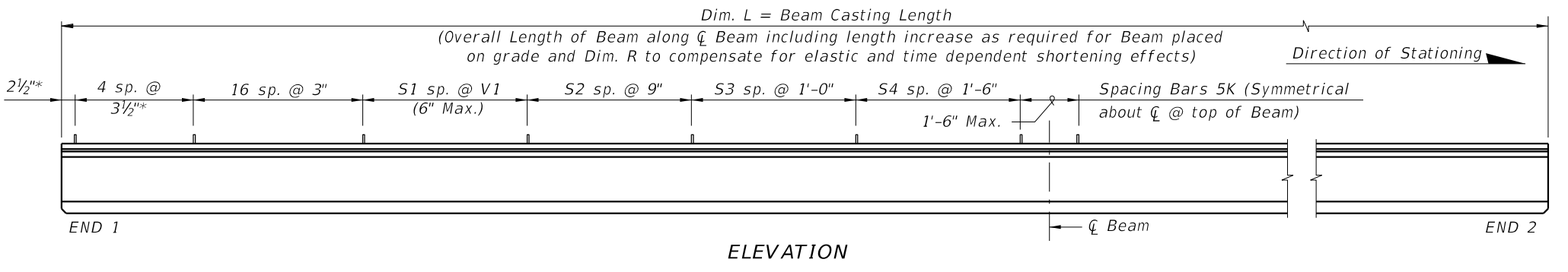
CONVENTIONAL REINFORCING  
BAR BENDING DETAILS

BILL OF REINFORCING STEEL				
MARK	NOTE NUMBERS	SIZE	NUMBER REQUIRED	LENGTH (NOTE 1)
A	—	5	8	19'-0"
C1	9, 10 & 11	3	13 (End 1)	Varies
C2	9, 10 & 11	3	13 (End 2)	Varies
D1	9, 10, 11 & 14	3	26 (End 1)	Varies
D2	9, 10, 11 & 14	3	26 (End 2)	Varies
D3	9 & 14	3	See Table	4'-3"
K	2, 9, 11 & 13	5	See Table	4'-11"
M1	9 & 10	4	11 (End 1)	Varies
M2	9 & 10	4	11 (End 2)	Varies
M3	9	4	See Table	3'-8"
N	3 & 4	3/8" Ø Strand	4	Dim. L
Y	9 & 11	5	12	3'-3"
Z	2, 9, 11 & 13	5	10	4'-5"

BENDING DIAGRAMS (See Note 1)



SECTION A-A FOR CONVENTIONAL REINFORCING  
(Showing Bars 5K, 5Y & 5Z Only)



ELEVATION

- NOTES:
- A. Work this Index with Index No. 20010 - Typical Florida-I Beam Details and Notes and the Florida-I Beam - Table of Beam Variables in Structures Plans.
  - B. For referenced notes, see Index No. 20010.
  - C. For Dimensions A, B, C, D, L, R & V1 and number of spaces S1 thru S4, see Florida-I Beam - Table of Beam Variables in Structures Plans.

6/24/2015 7:07:47 AM

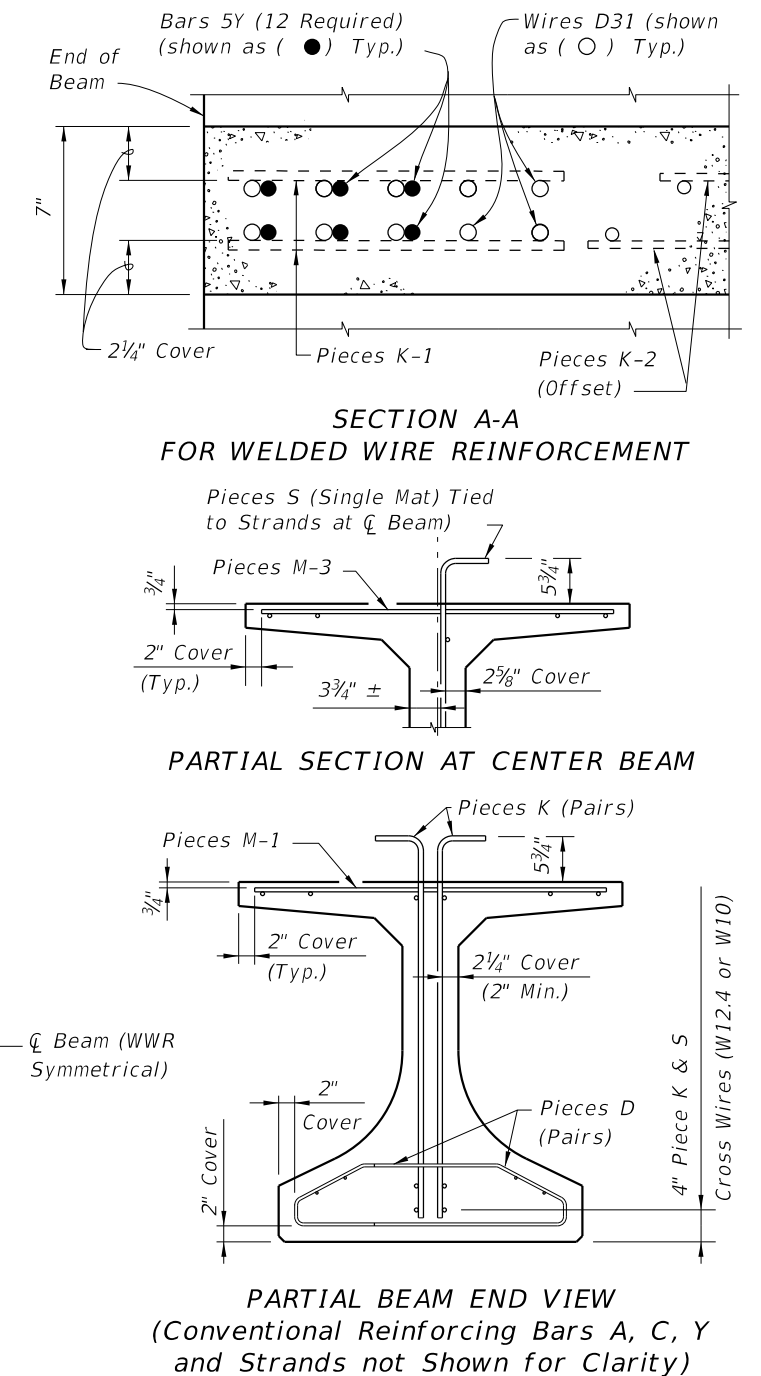
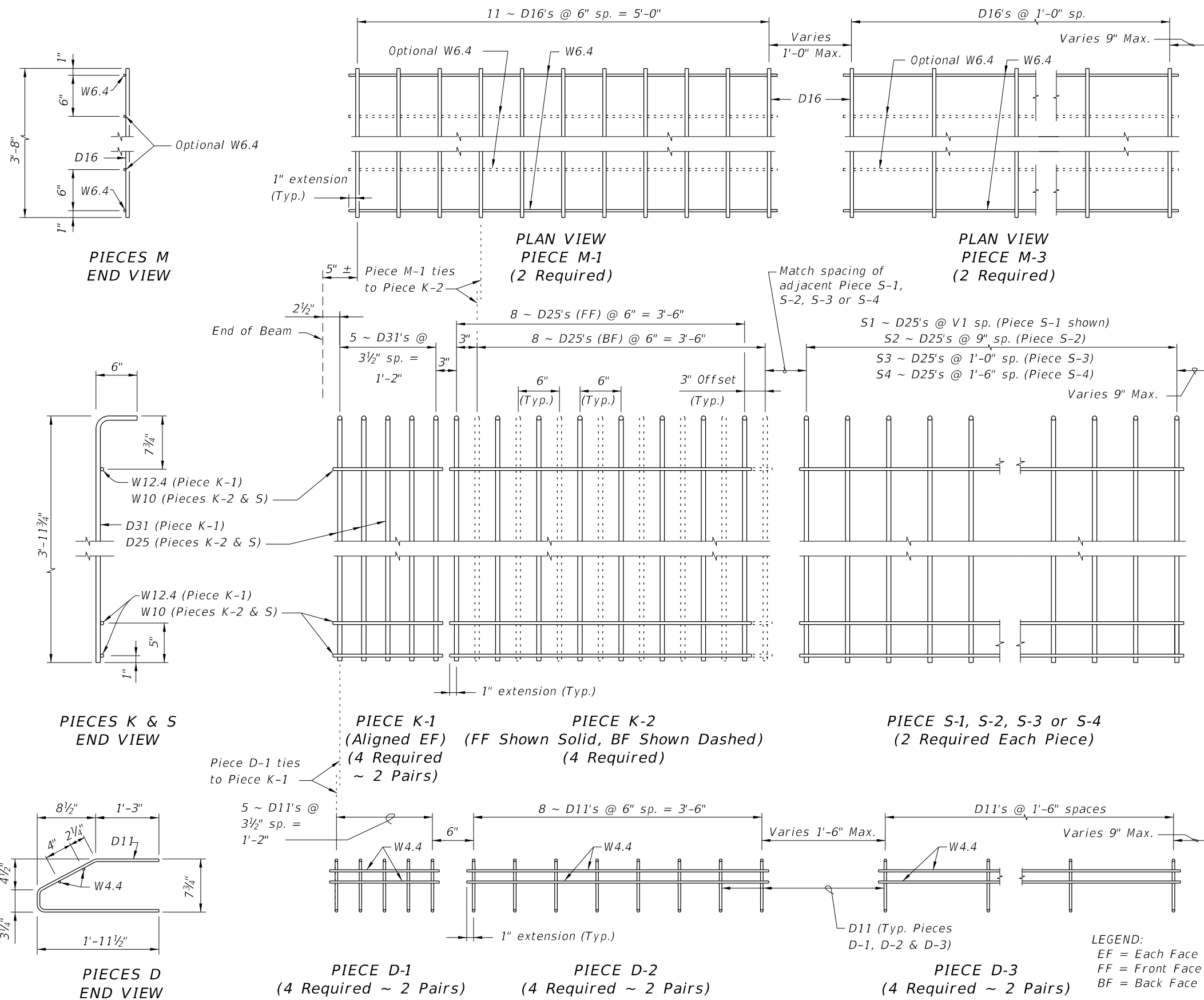
LAST REVISION	DESCRIPTION:
07/01/12	



FLORIDA-I 45 BEAM - STANDARD DETAILS

INDEX NO.	SHEET NO.
20045	1 of 2

ALTERNATE REINFORCING STEEL (WELDED WIRE REINFORCEMENT) DETAILS



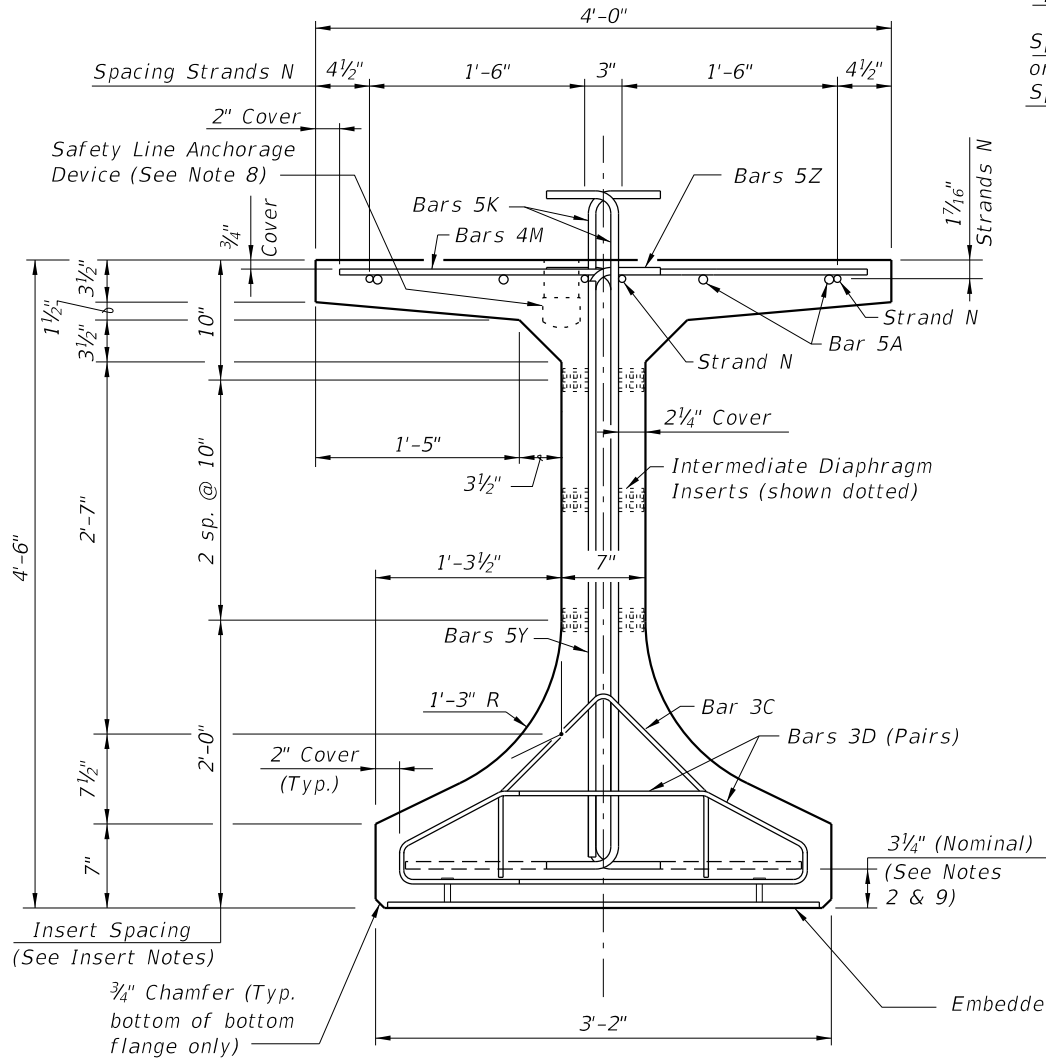
**NOTES:**

- See Sheet 1 for placement details & Table of Beam Variables in Structures Plans for variables S1, S2, S3, S4 & V1.
- Place Conventional Reinforcement Bars 5A & 3C as shown on Sheet 1. Place additional Bars 5Y as shown in Section A-A for Welded Wire Reinforcement. Bars 5Z will not be used with the WWR Option.
- Pieces may be fabricated in multiple length sections.
- For beams with skewed end conditions, Pieces D-1, D-2 & M-1 shall not be used; Conventional Reinforcement Bars D1, D2, C1, C2, M1 & M2 shall be used. See Index No. 20010 Skew Details and Note 9 for placement details. Shift Pieces K & Bars 5Y to accommodate skewed end conditions and align with Bars C and D.

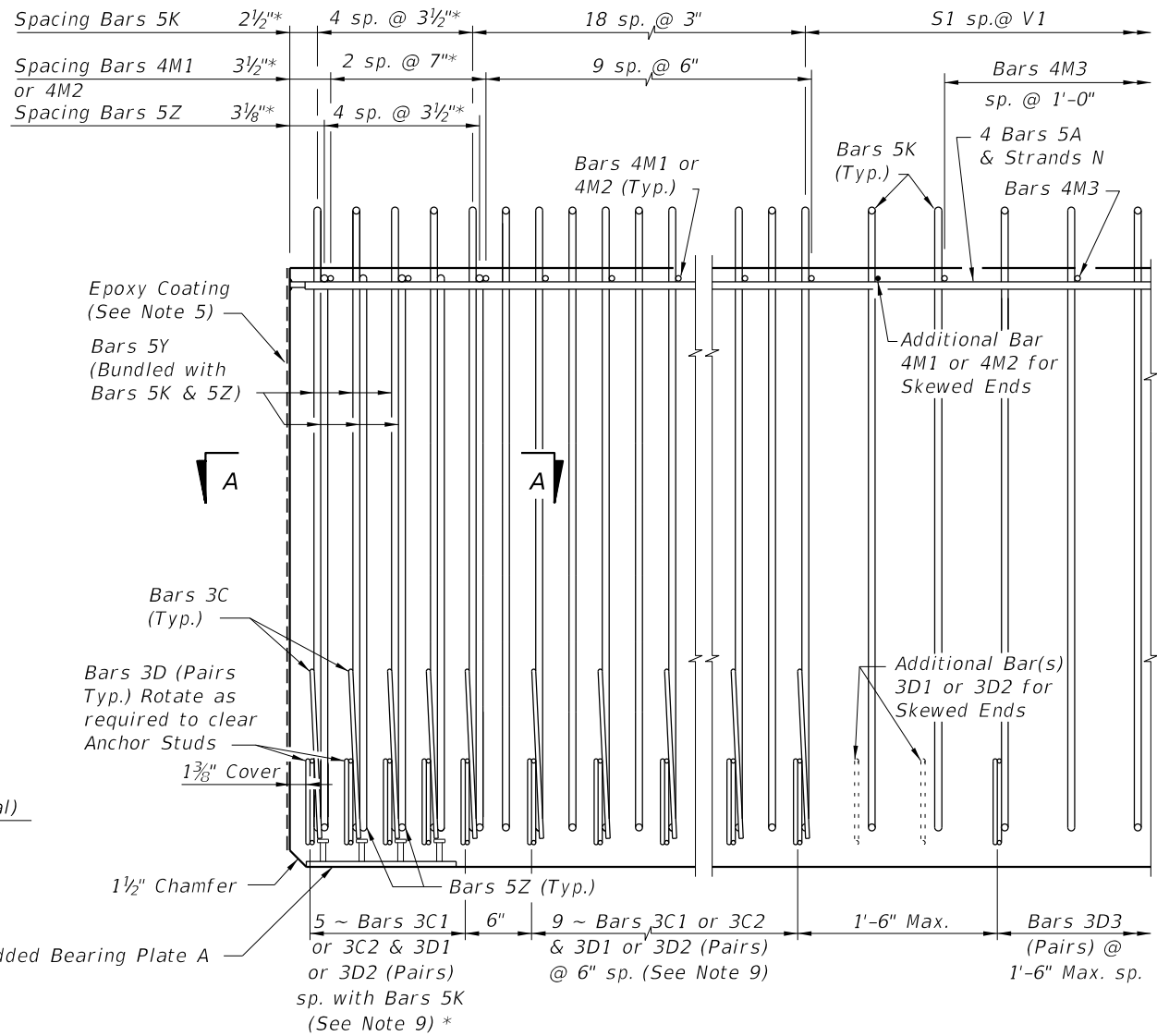
6/24/2015 7:07:48 AM

LAST REVISION 07/01/10	DESCRIPTION:	<p>2016 DESIGN STANDARDS</p>	<p>FLORIDA-I 45 BEAM - STANDARD DETAILS</p>	<p>INDEX NO. 20045</p>	<p>SHEET NO. 2 of 2</p>
---------------------------	--------------	------------------------------	---	----------------------------	-----------------------------

\* These dimensions are measured perpendicular to the end of beam



END VIEW

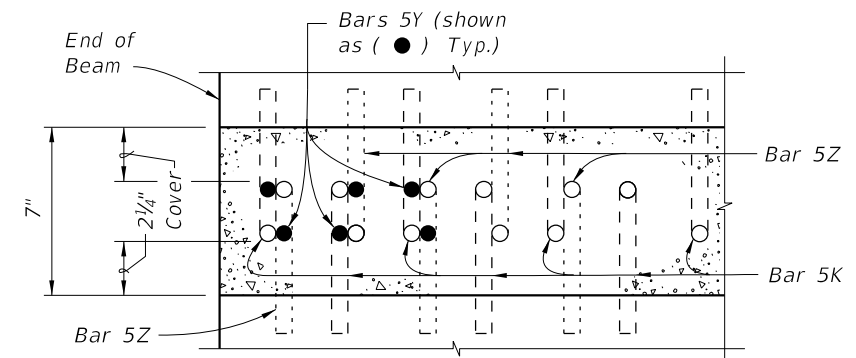
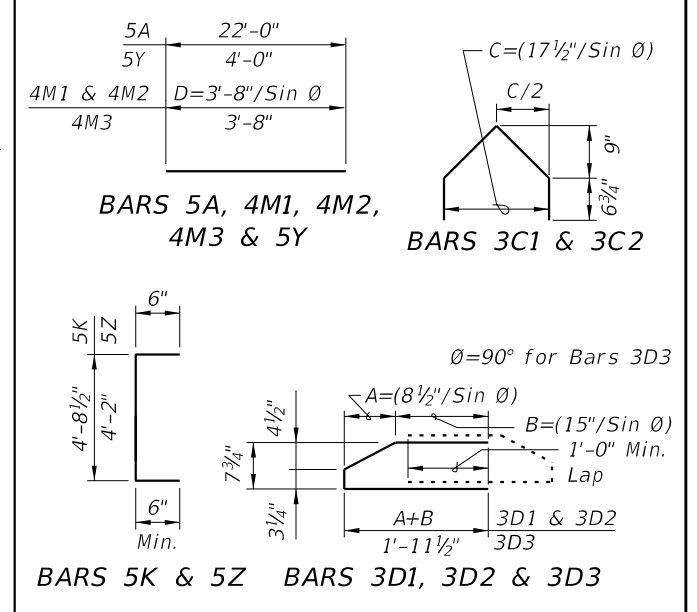


ELEVATION AT END OF BEAM  
(Flanges Not Shown For Clarity)  
(End 1 Shown, End 2 Similar)

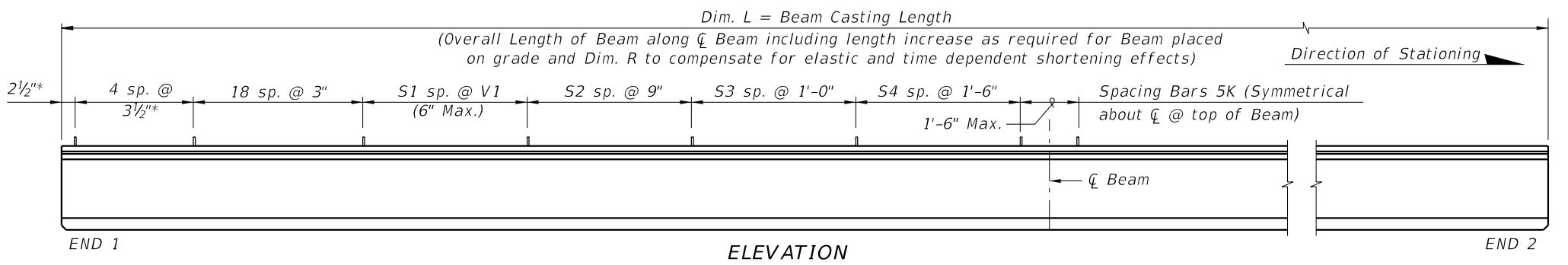
CONVENTIONAL REINFORCING  
BAR BENDING DETAILS

BILL OF REINFORCING STEEL				
MARK	NOTE NUMBERS	SIZE	NUMBER REQUIRED	LENGTH (NOTE 1)
A	—	5	8	22'-0"
C1	9, 10 & 11	3	14 (End 1)	Varies
C2	9, 10 & 11	3	14 (End 2)	Varies
D1	9, 10, 11 & 14	3	28 (End 1)	Varies
D2	9, 10, 11 & 14	3	28 (End 2)	Varies
D3	9 & 14	3	See Table	4'-3"
K	2, 9, 11 & 13	5	See Table	5'-8"
M1	9 & 10	4	12 (End 1)	Varies
M2	9 & 10	4	12 (End 2)	Varies
M3	9	4	See Table	3'-8"
N	3 & 4	3/8" Ø Strand	4	Dim. L
Y	9 & 11	5	12	4'-0"
Z	2, 9, 11 & 13	5	10	5'-2"

BENDING DIAGRAMS (See Note 1)



SECTION A-A FOR CONVENTIONAL REINFORCING  
(Showing Bars 5K, 5Y & 5Z Only)



ELEVATION

NOTES:  
A. Work this Index with Index No. 20010 - Typical Florida-I Beam Details and Notes and the Florida-I Beam - Table of Beam Variables in Structures Plans.  
B. For referenced notes, see Index No. 20010.  
C. For Dimensions A, B, C, D, L, R & V1 and number of spaces S1 thru S4, see Florida-I Beam - Table of Beam Variables in Structures Plans.

6/24/2015 7:08:25 AM

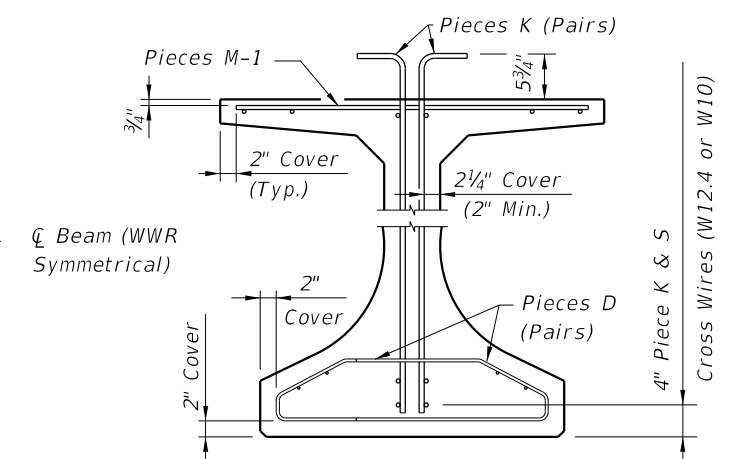
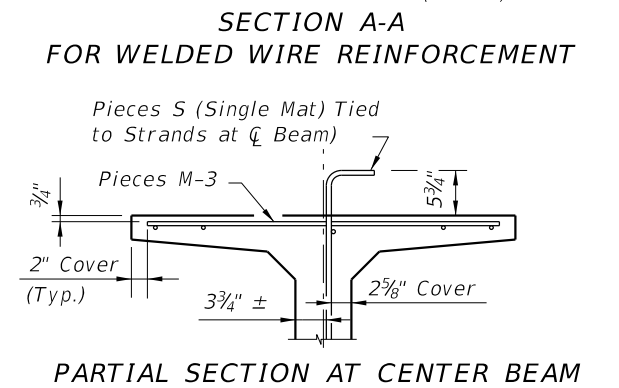
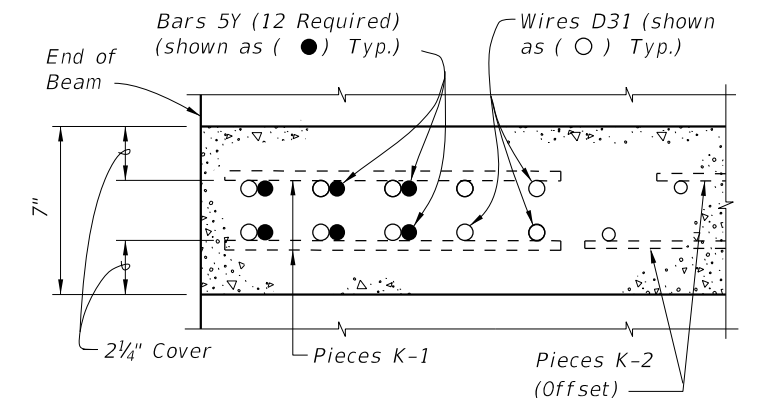
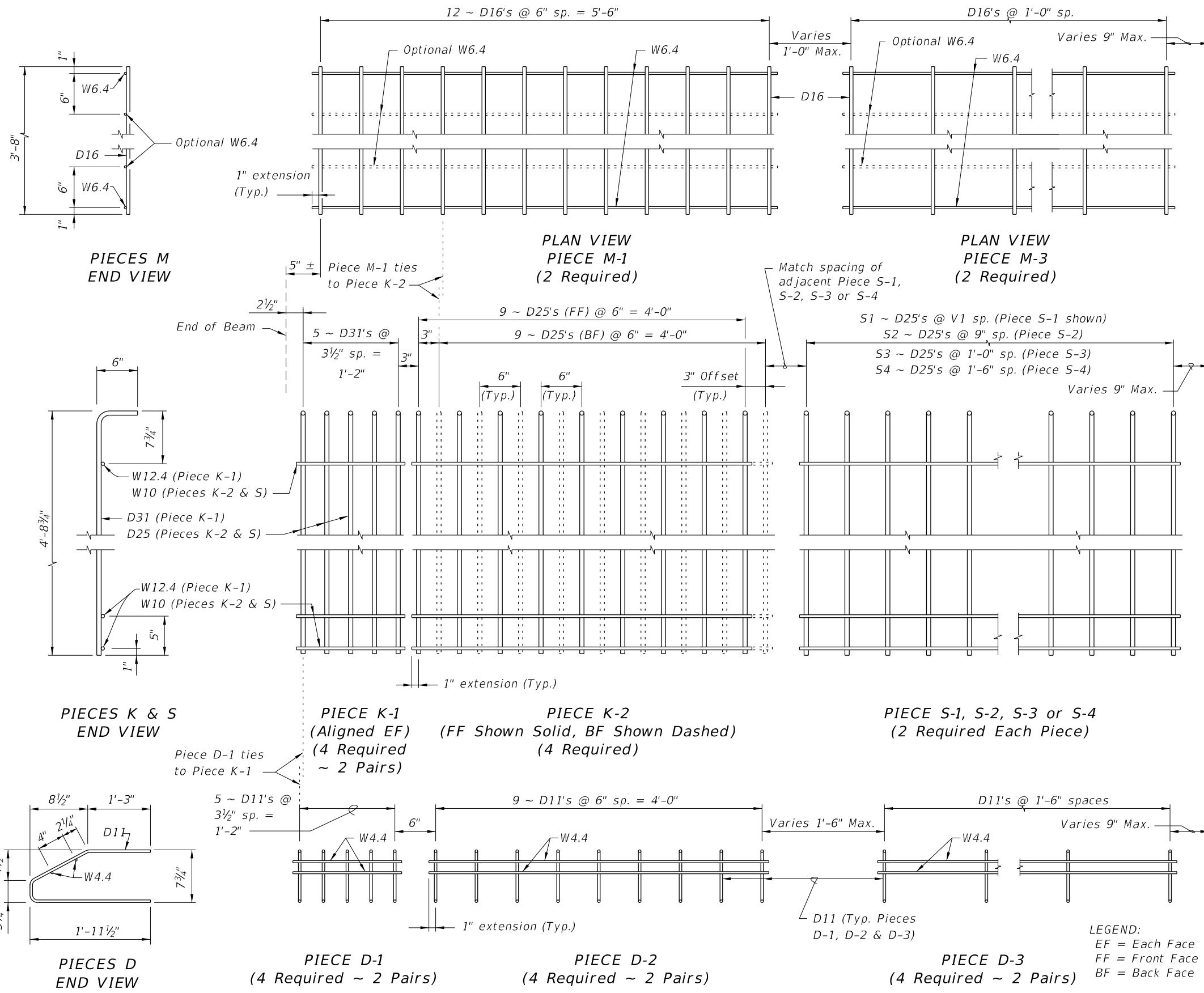
LAST REVISION 07/01/12	DESCRIPTION:
---------------------------	--------------



FLORIDA-I 54 BEAM - STANDARD DETAILS

INDEX NO. 20054	SHEET NO. 1 of 2
--------------------	---------------------

ALTERNATE REINFORCING STEEL (WELDED WIRE REINFORCEMENT) DETAILS



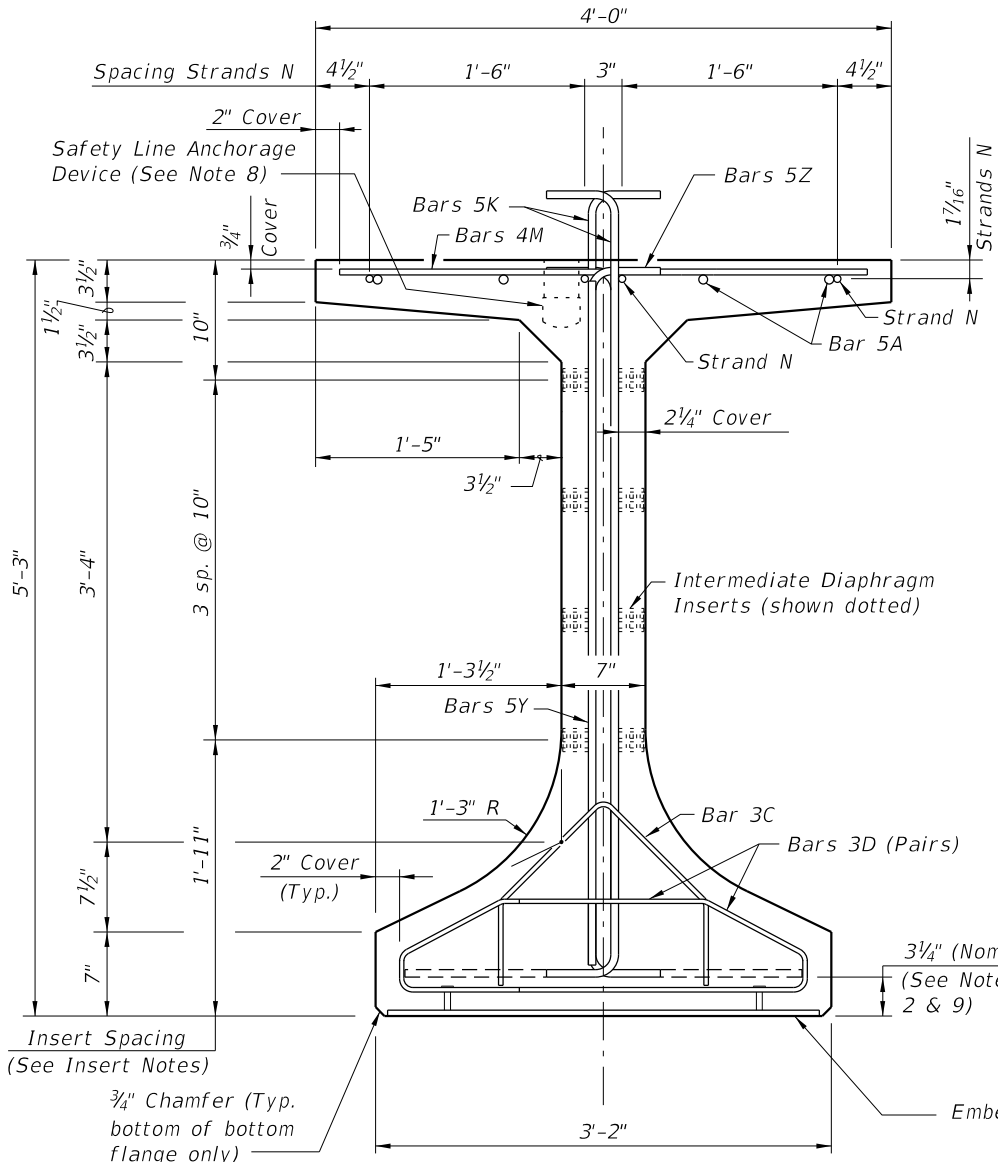
**NOTES:**  
 a. See Sheet 1 for placement details & Table of Beam Variables in Structures Plans for variables S1, S2, S3, S4 & V1.  
 b. Place Conventional Reinforcing Bars 5A & 3C as shown on Sheet 1. Place additional Bars 5Y as shown in Section A-A for Welded Wire Reinforcement. Bars 5Z will not be used with the WWR Option.  
 c. Pieces may be fabricated in multiple length sections.  
 d. For beams with skewed end conditions, Pieces D-1, D-2 & M-1 shall not be used; Conventional Reinforcing Bars D1, D2, C1, C2, M1 & M2 shall be used. See Index No. 20010 Skew Details and Note 9 for placement details. Shift Pieces K & Bars 5Y to accommodate skewed end conditions and align with Bars C and D.

**LEGEND:**  
 EF = Each Face  
 FF = Front Face  
 BF = Back Face

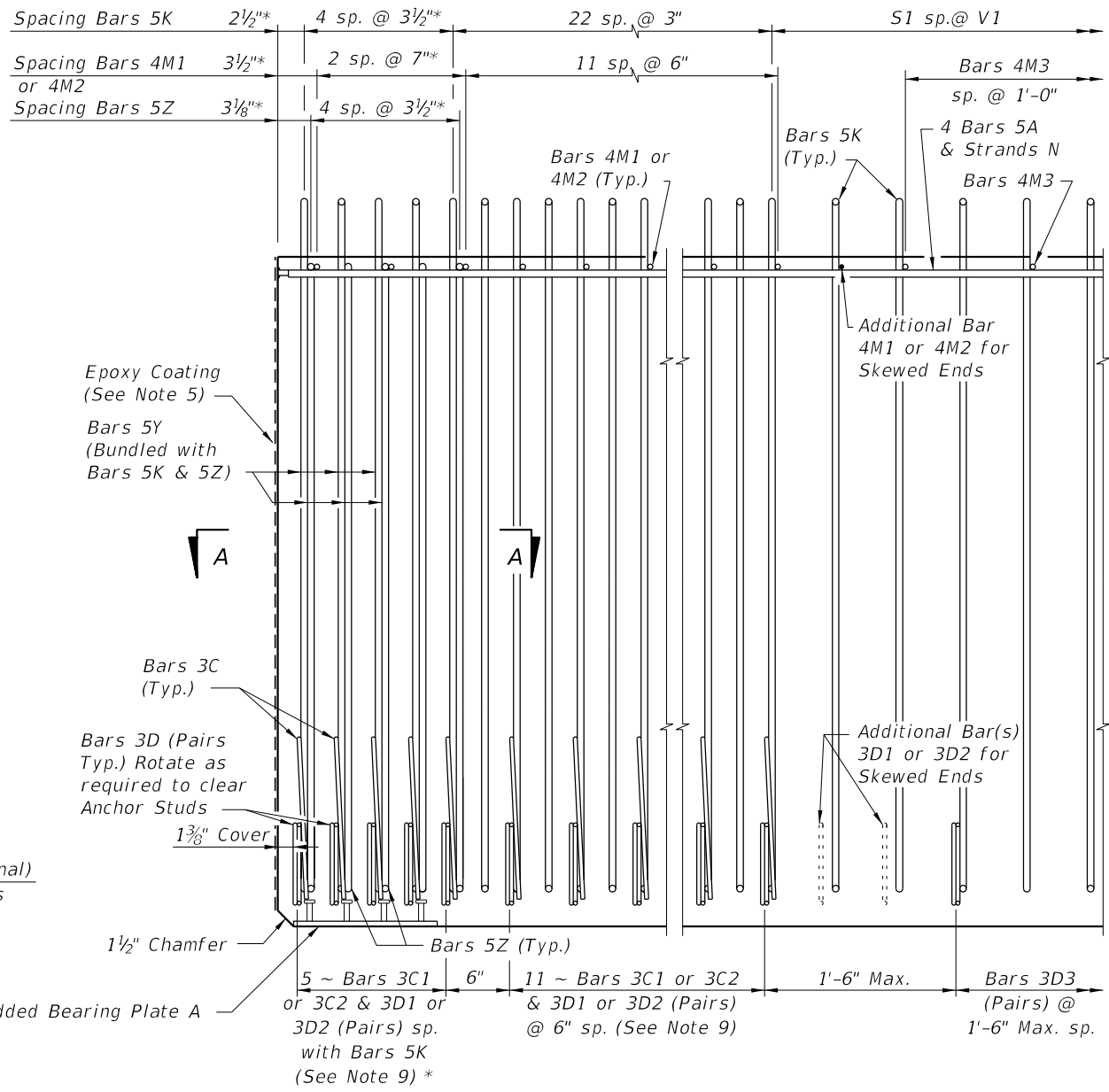
6/24/2015 7:08:26 AM

LAST REVISION 07/01/10	DESCRIPTION:	 2016 DESIGN STANDARDS	FLORIDA-I 54 BEAM - STANDARD DETAILS	INDEX NO. 20054	SHEET NO. 2 of 2
---------------------------	--------------	---------------------------	--------------------------------------	--------------------	---------------------

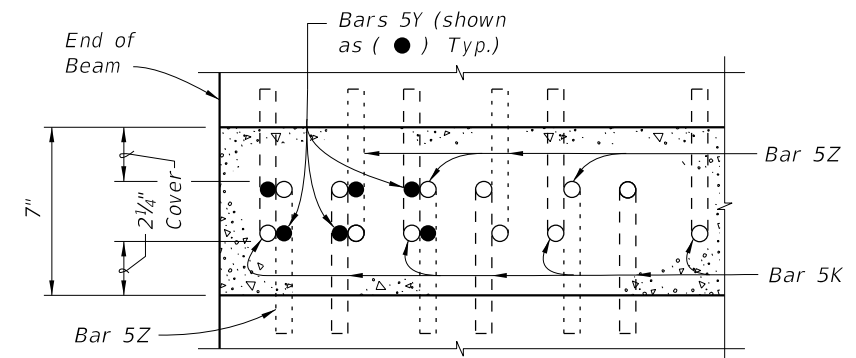
\* These dimensions are measured perpendicular to the end of beam



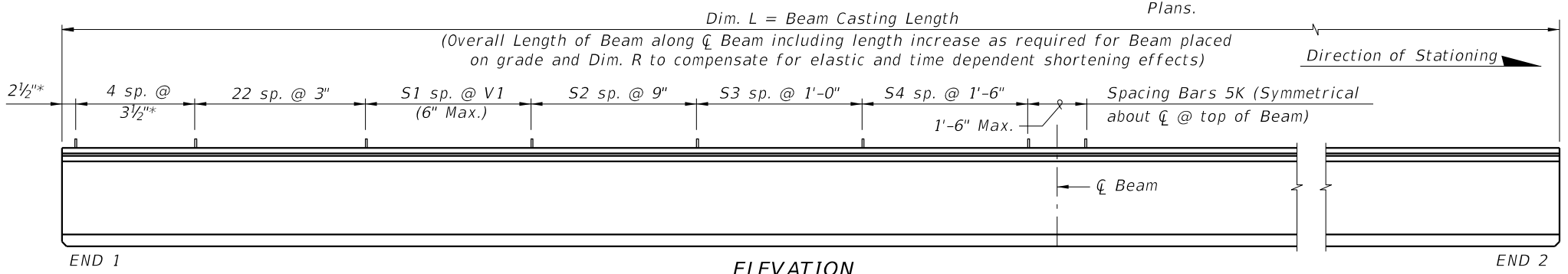
END VIEW



ELEVATION AT END OF BEAM  
(Flanges Not Shown For Clarity)  
(End 1 Shown, End 2 Similar)



SECTION A-A FOR CONVENTIONAL REINFORCING  
(Showing Bars 5K, 5Y & 5Z Only)

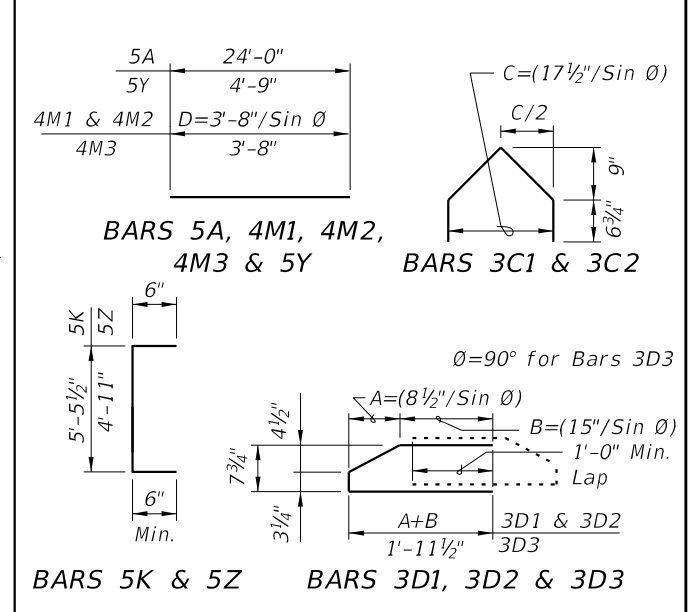


ELEVATION

CONVENTIONAL REINFORCING  
BAR BENDING DETAILS

BILL OF REINFORCING STEEL				
MARK	NOTE NUMBERS	SIZE	NUMBER REQUIRED	LENGTH (NOTE 1)
A	—	5	8	24'-0"
C1	9, 10 & 11	3	16 (End 1)	Varies
C2	9, 10 & 11	3	16 (End 2)	Varies
D1	9, 10, 11 & 14	3	32 (End 1)	Varies
D2	9, 10, 11 & 14	3	32 (End 2)	Varies
D3	9 & 14	3	See Table	4'-3"
K	2, 9, 11 & 13	5	See Table	6'-5"
M1	9 & 10	4	14 (End 1)	Varies
M2	9 & 10	4	14 (End 2)	Varies
M3	9	4	See Table	3'-8"
N	3 & 4	3/8" Ø Strand	4	Dim. L
Y	9 & 11	5	12	4'-9"
Z	2, 9, 11 & 13	5	10	5'-11"

BENDING DIAGRAMS (See Note 1)

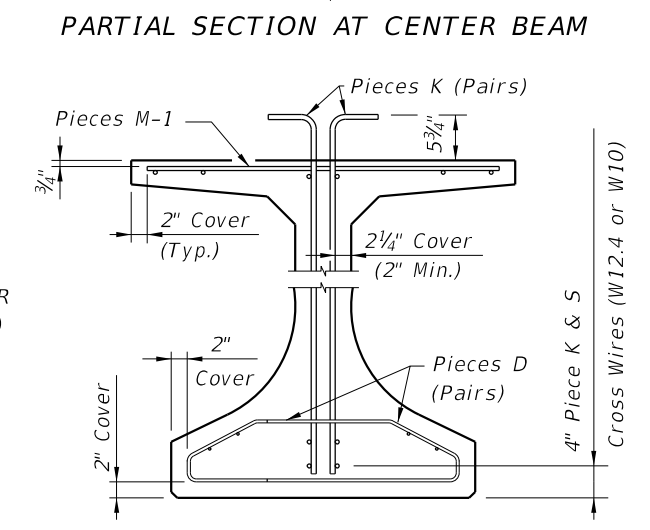
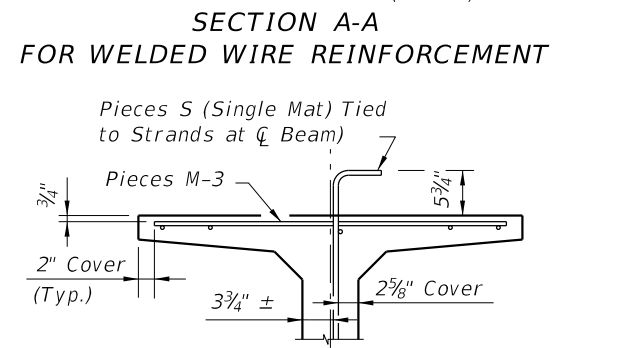
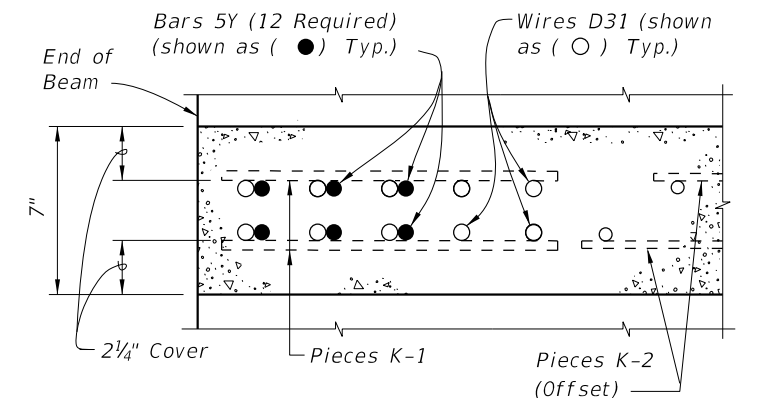
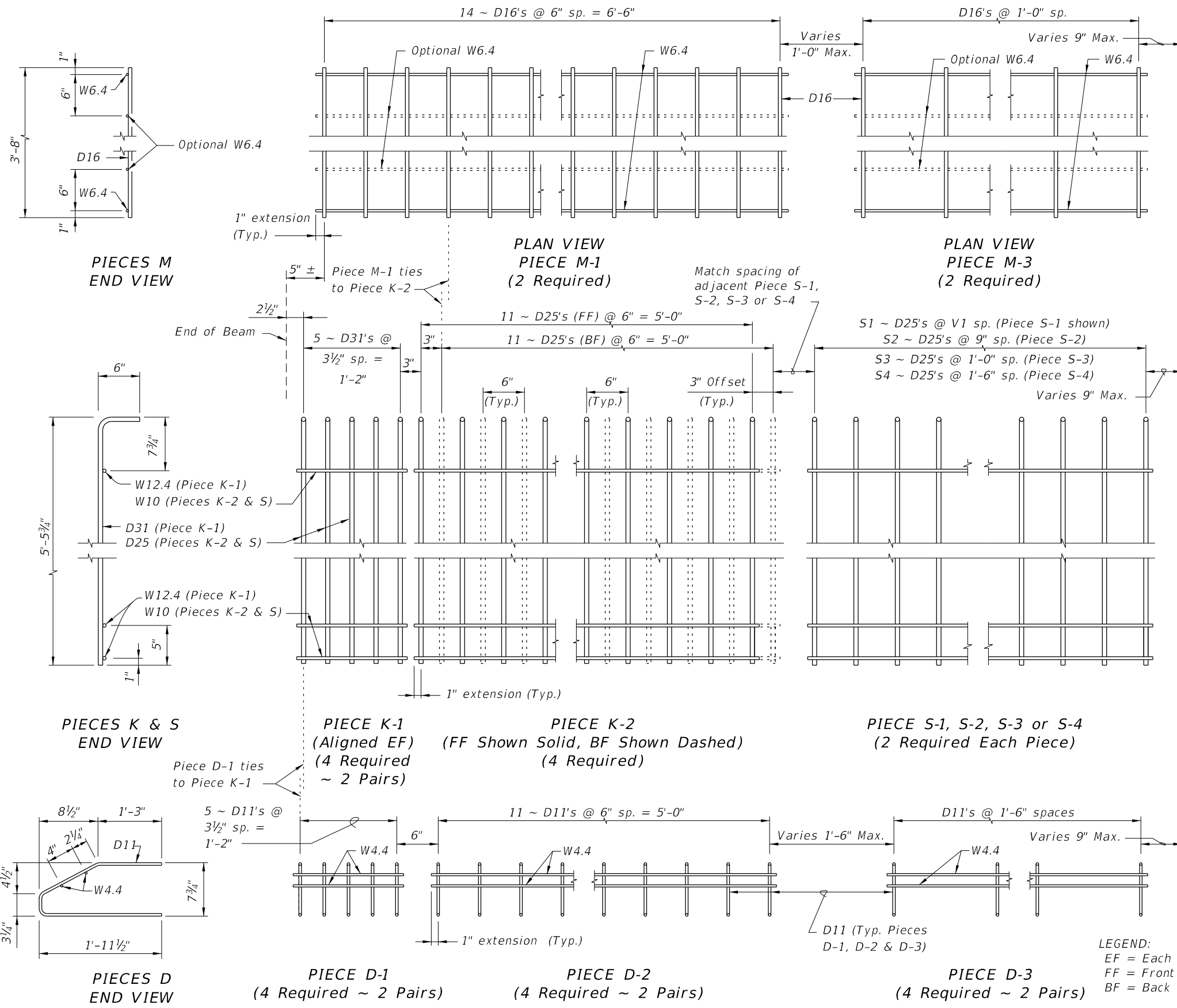


NOTES:  
 A. Work this Index with Index No. 20010 - Typical Florida-I Beam Details and Notes and the Florida-I Beam - Table of Beam Variables in Structures Plans.  
 B. For referenced notes, see Index No. 20010.  
 C. For Dimensions A, B, C, D, L, R & V1 and number of spaces S1 thru S4, see Florida-I Beam - Table of Beam Variables in Structures Plans.

6/24/2015 7:08:55 AM

LAST REVISION	DESCRIPTION:
07/01/12	

ALTERNATE REINFORCING STEEL (WELDED WIRE REINFORCEMENT) DETAILS



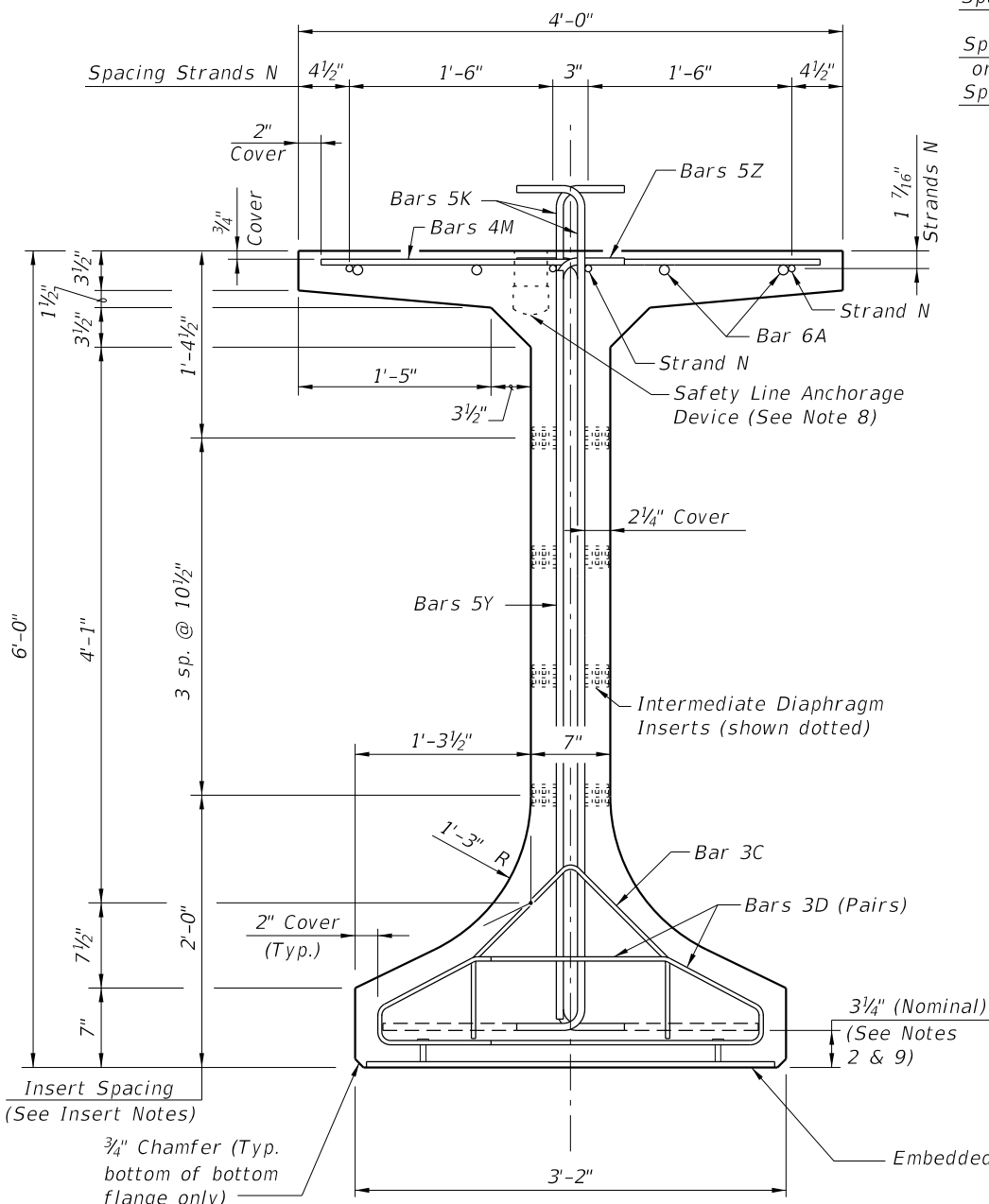
**NOTES:**  
 a. See Sheet 1 for placement details & Table of Beam Variables in Structures Plans for variables S1, S2, S3, S4 & V1.  
 b. Place Conventional Reinforcing Bars 5A & 3C as shown on Sheet 1. Place additional Bars 5Y as shown in Section A-A for Welded Wire Reinforcement. Bars 5Z will not be used with the WWR Option.  
 c. Pieces may be fabricated in multiple length sections.  
 d. For beams with skewed end conditions, Pieces D-1, D-2 & M-1 shall not be used; Conventional Reinforcing Bars D1, D2, C1, C2, M1 & M2 shall be used. See Index No. 20010 Skew Details and Note 9 for placement details. Shift Pieces K & Bars 5Y to accommodate skewed end conditions and align with Bars C and D.

**LEGEND:**  
 EF = Each Face  
 FF = Front Face  
 BF = Back Face

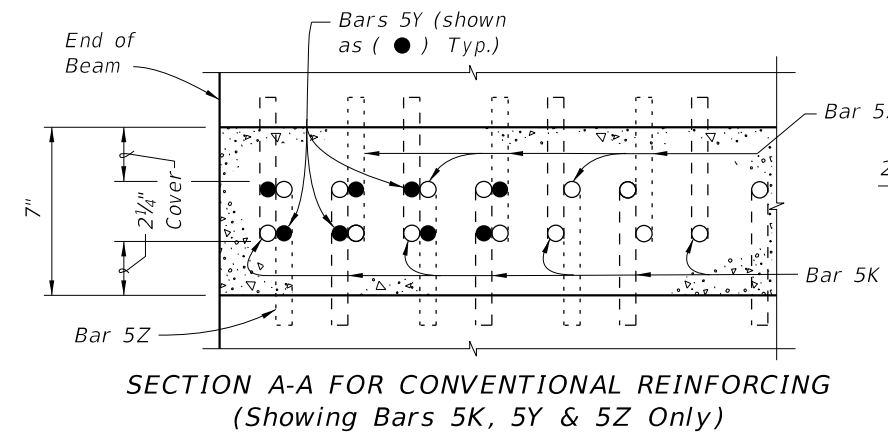
6/24/2015 7:08:55 AM

LAST REVISION 07/01/10	DESCRIPTION:	2016 FDOT DESIGN STANDARDS	FLORIDA-I 63 BEAM - STANDARD DETAILS	INDEX NO. 20063	SHEET NO. 2 of 2
---------------------------	--------------	-------------------------------	--------------------------------------	--------------------	---------------------

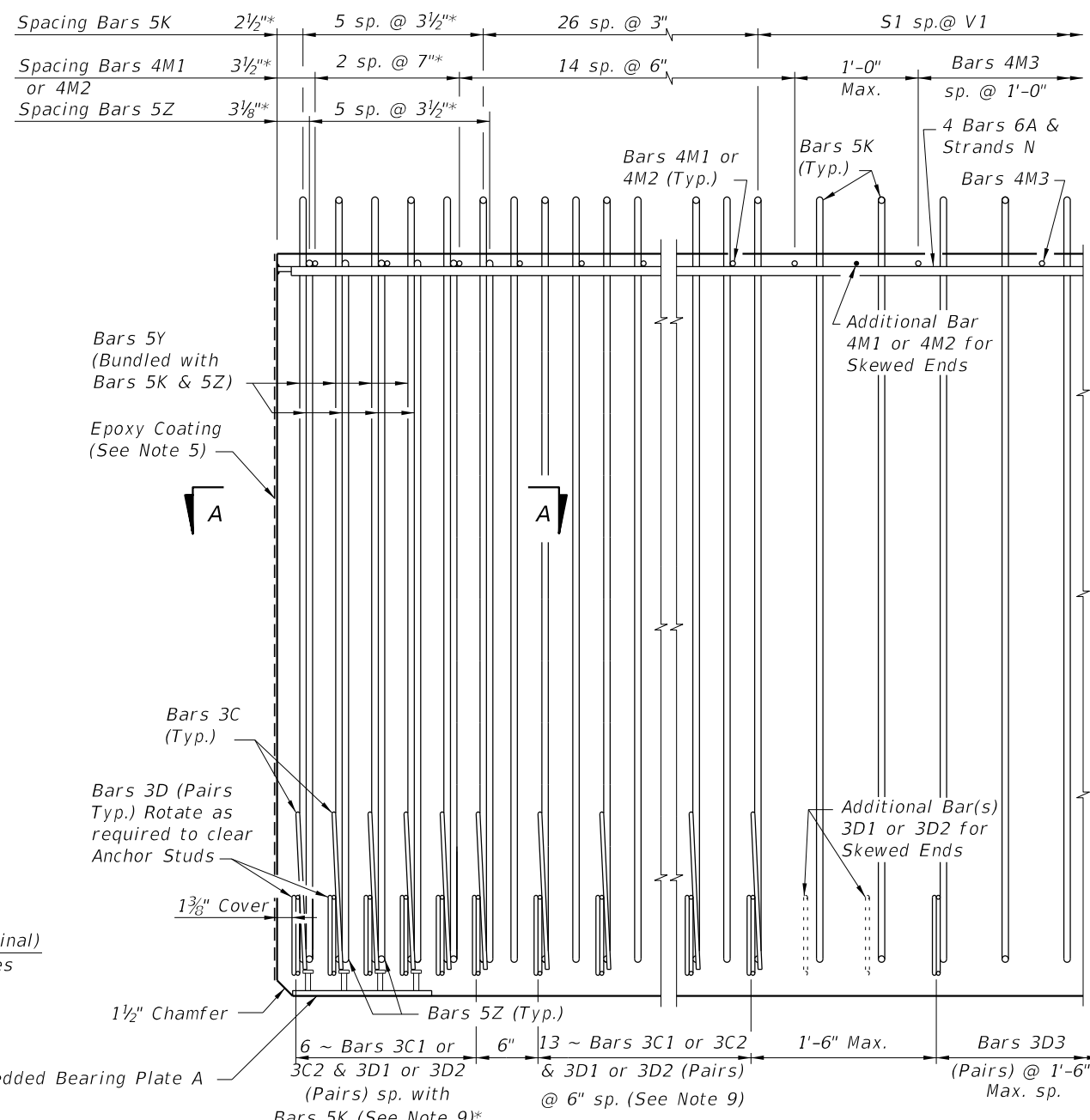
\* These dimensions are measured perpendicular to the end of beam



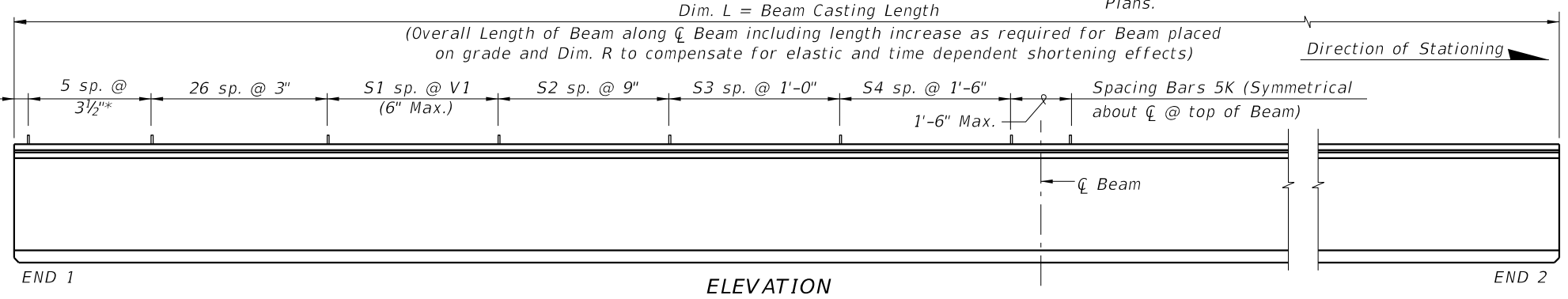
END VIEW



SECTION A-A FOR CONVENTIONAL REINFORCING (Showing Bars 5K, 5Y & 5Z Only)



ELEVATION AT END OF BEAM (Flanges Not Shown For Clarity) (End 1 Shown, End 2 Similar)

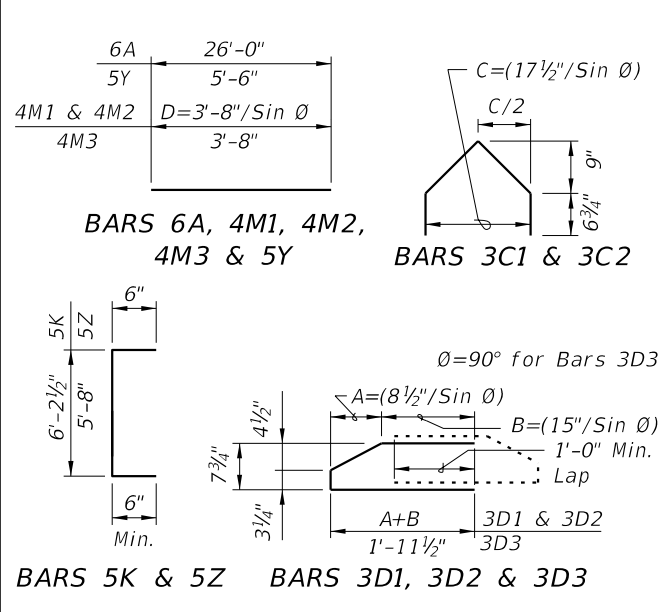


ELEVATION

CONVENTIONAL REINFORCING BAR BENDING DETAILS

BILL OF REINFORCING STEEL				
MARK	NOTE NUMBERS	SIZE	NUMBER REQUIRED	LENGTH (NOTE 1)
A	—	6	8	26'-0"
C1	9, 10 & 11	3	19 (End 1)	Varies
C2	9, 10 & 11	3	19 (End 2)	Varies
D1	9, 10, 11 & 14	3	38 (End 1)	Varies
D2	9, 10, 11 & 14	3	38 (End 2)	Varies
D3	9 & 14	3	See Table	4'-3"
K	2, 9, 11 & 13	5	See Table	7'-2"
M1	9 & 10	4	17 (End 1)	Varies
M2	9 & 10	4	17 (End 2)	Varies
M3	9	4	See Table	3'-8"
N	3 & 4	3/8" Ø Strand	4	Dim. L
Y	9 & 11	5	16	5'-6"
Z	2, 9, 11 & 13	5	12	6'-8"

BENDING DIAGRAMS (See Note 1)

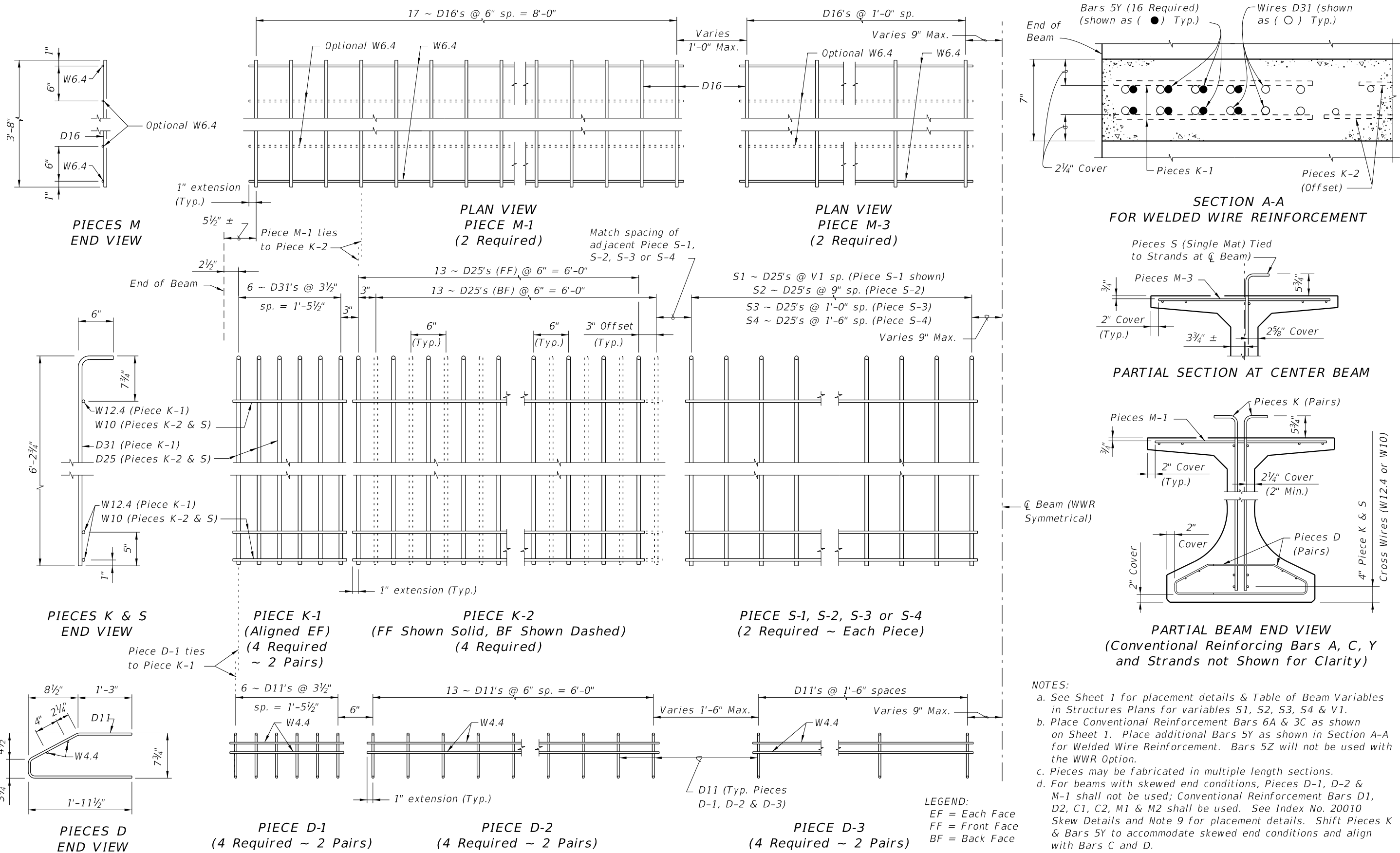


NOTES:  
 A. Work this Index with Index No. 20010 - Typical Florida-I Beam Details and Notes and the Florida-I Beam - Table of Beam Variables in Structures Plans.  
 B. For referenced notes, see Index No. 20010.  
 C. For Dimensions A, B, C, D, L, R & V1 and number of spaces S1 thru S4, see Florida-I Beam - Table of Beam Variables in Structures Plans.

6/24/2015 7:09:17 AM

LAST REVISION	DESCRIPTION:
07/01/12	

ALTERNATE REINFORCING STEEL (WELDED WIRE REINFORCEMENT) DETAILS



**NOTES:**

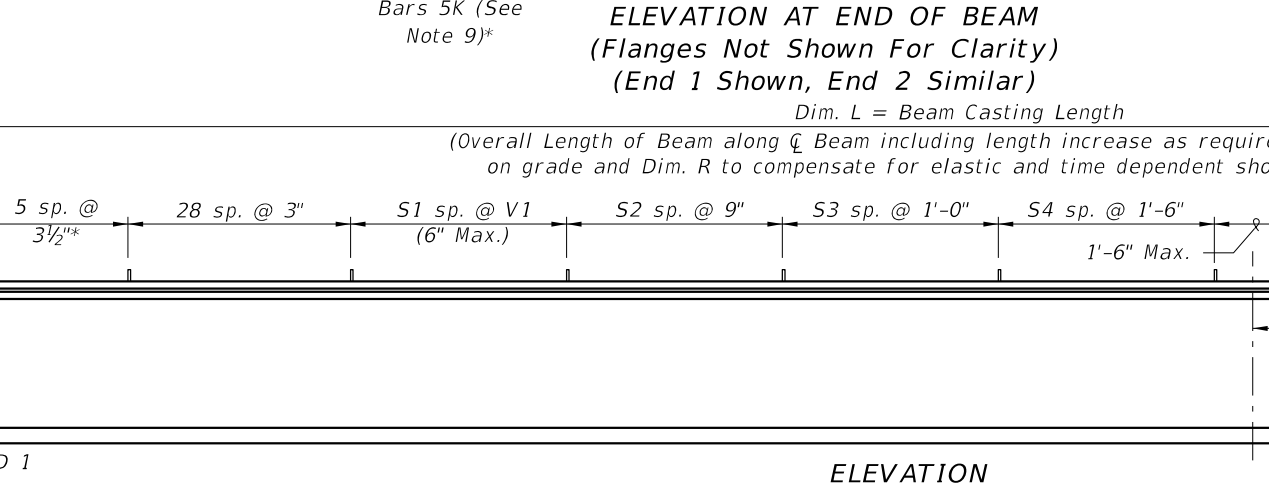
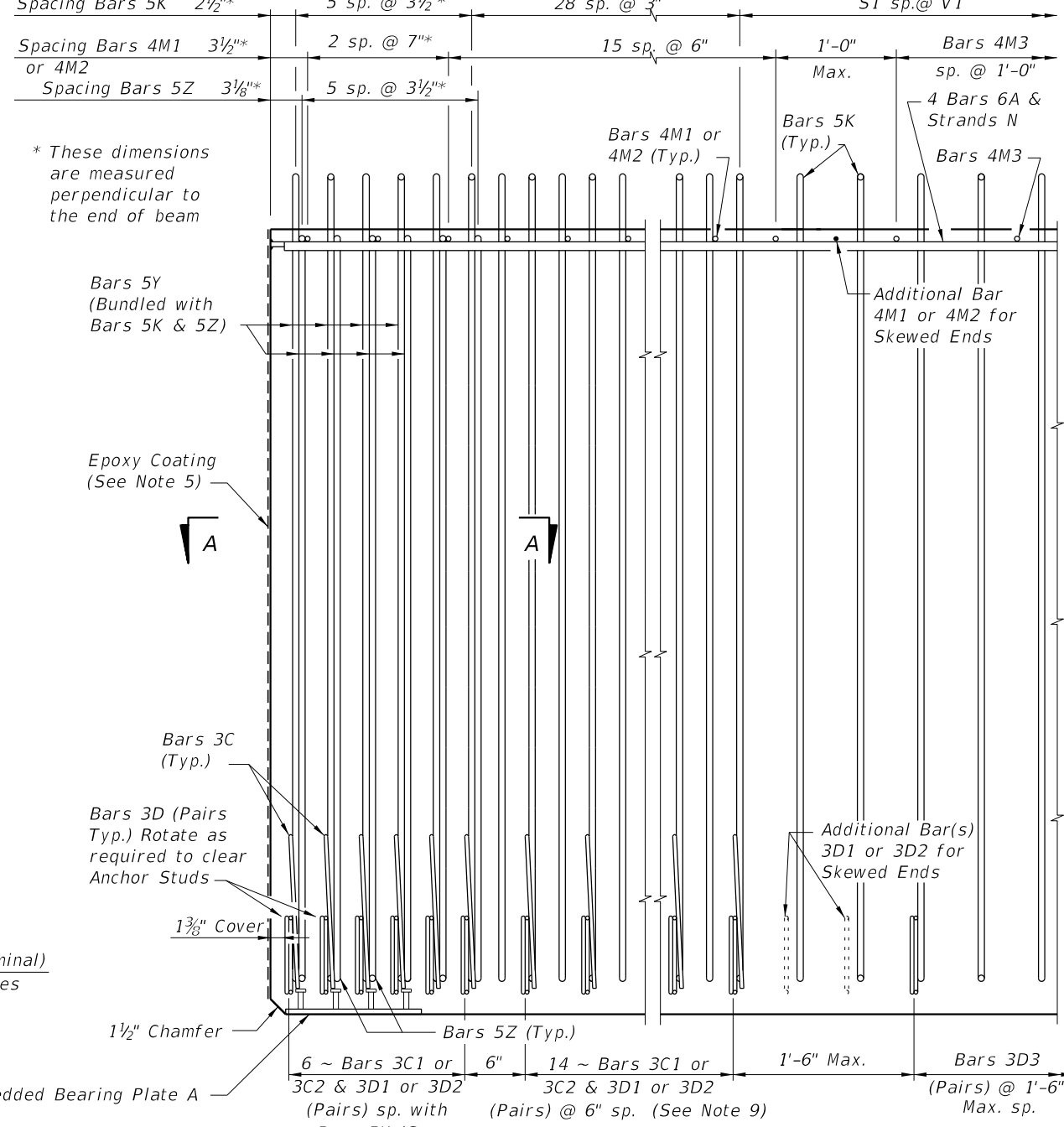
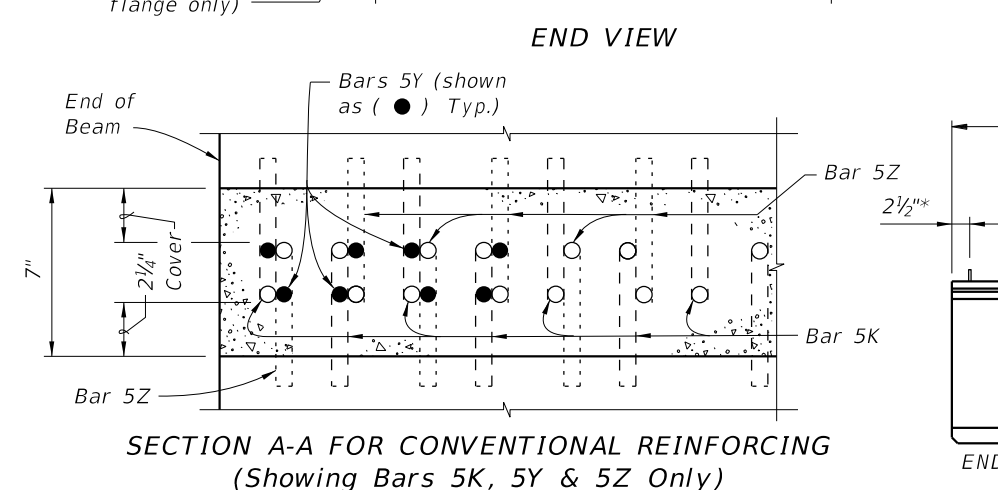
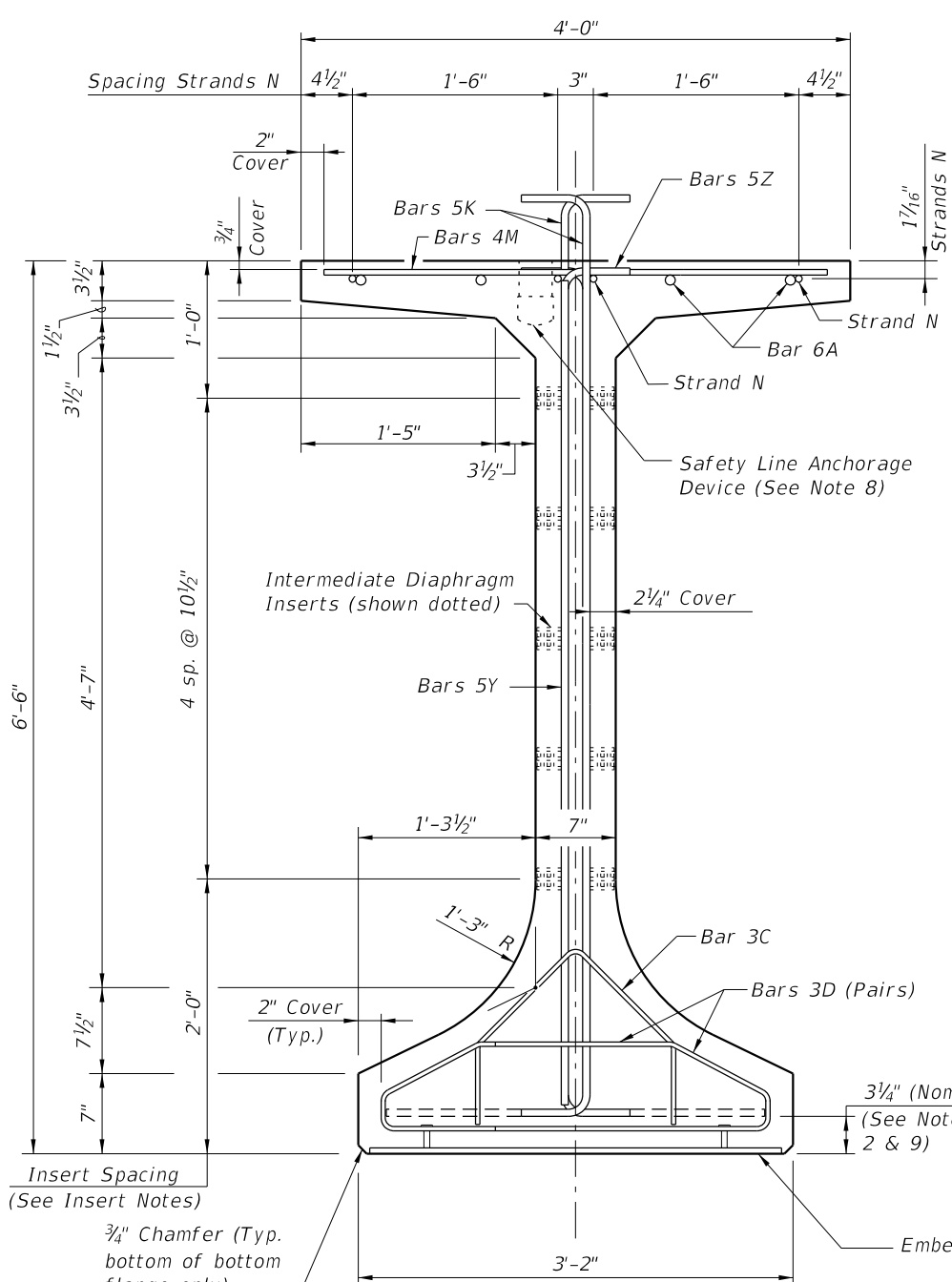
- See Sheet 1 for placement details & Table of Beam Variables in Structures Plans for variables S1, S2, S3, S4 & V1.
- Place Conventional Reinforcing Bars 6A & 3C as shown on Sheet 1. Place additional Bars 5Y as shown in Section A-A for Welded Wire Reinforcement. Bars 5Z will not be used with the WWR Option.
- Pieces may be fabricated in multiple length sections.
- For beams with skewed end conditions, Pieces D-1, D-2 & M-1 shall not be used; Conventional Reinforcing Bars D1, D2, C1, C2, M1 & M2 shall be used. See Index No. 20010 Skew Details and Note 9 for placement details. Shift Pieces K & Bars 5Y to accommodate skewed end conditions and align with Bars C and D.

**LEGEND:**  
 EF = Each Face  
 FF = Front Face  
 BF = Back Face

6/24/2015 7:09:18 AM

LAST REVISION 07/01/10	REVISION	DESCRIPTION:	 2016 DESIGN STANDARDS	FLORIDA-I 72 BEAM - STANDARD DETAILS	INDEX NO. 20072	SHEET NO. 2 of 2
---------------------------	----------	--------------	---------------------------	--------------------------------------	--------------------	---------------------

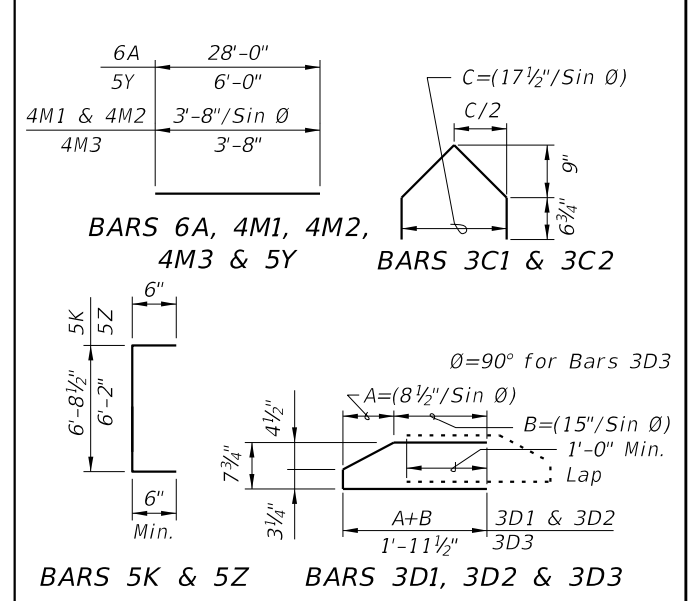




**CONVENTIONAL REINFORCING BAR BENDING DETAILS**

BILL OF REINFORCING STEEL				
MARK	NOTE NUMBERS	SIZE	NUMBER REQUIRED	LENGTH (NOTE 1)
A	—	6	8	28'-0"
C1	9, 10 & 11	3	20 (End 1)	Varies
C2	9, 10 & 11	3	20 (End 2)	Varies
D1	9, 10, 11 & 14	3	40 (End 1)	Varies
D2	9, 10, 11 & 14	3	40 (End 2)	Varies
D3	9 & 14	3	See Table	4'-3"
K	2, 9, 11 & 13	5	See Table	7'-8"
M1	9 & 10	4	18 (End 1)	Varies
M2	9 & 10	4	18 (End 2)	Varies
M3	9	4	See Table	3'-8"
N	3 & 4	3/8" Ø Strand	4	Dim. L
Y	9 & 11	5	16	6'-0"
Z	2, 9, 11 & 13	5	12	7'-2"

**BENDING DIAGRAMS (See Note 1)**

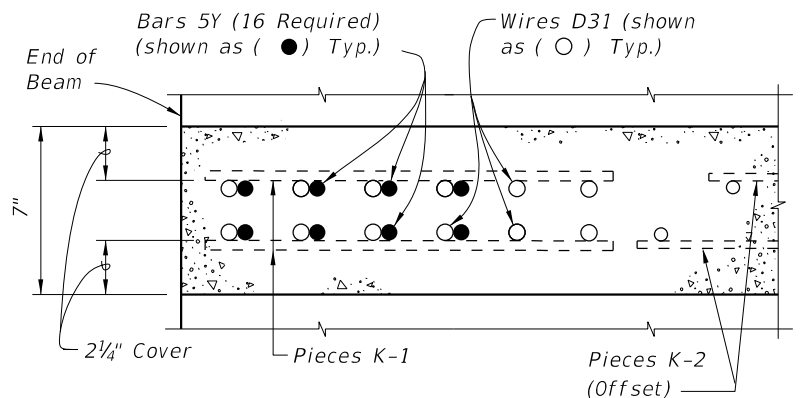
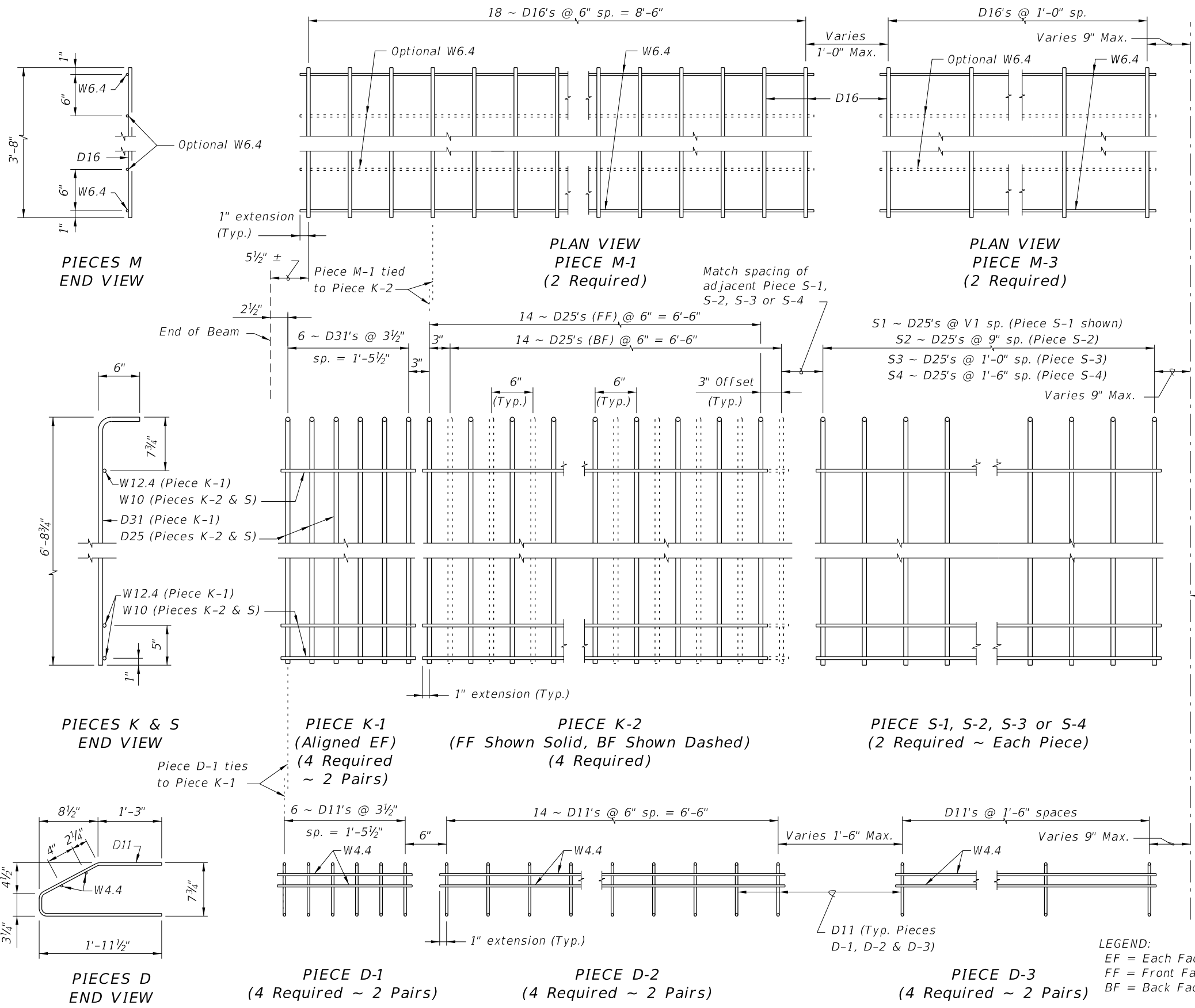


**NOTES:**  
 A. Work this Index with Index No. 20010 - Typical Florida-I Beam Details and Notes and the Florida-I Beam - Table of Beam Variables in Structures Plans.  
 B. For referenced notes, see Index No. 20010.  
 C. For Dimensions A, B, C, D, L, R & V1 and number of spaces S1 thru S4, see Florida-I Beam - Table of Beam Variables in Structures Plans.

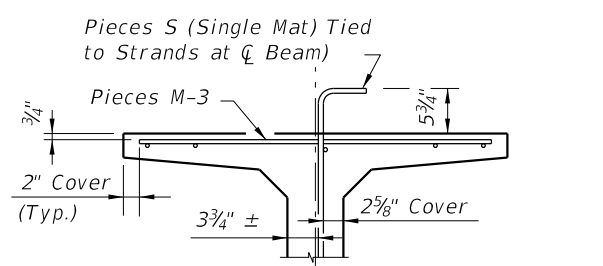
6/24/2015 7:09:46 AM

LAST REVISION	DESCRIPTION:
07/01/12	

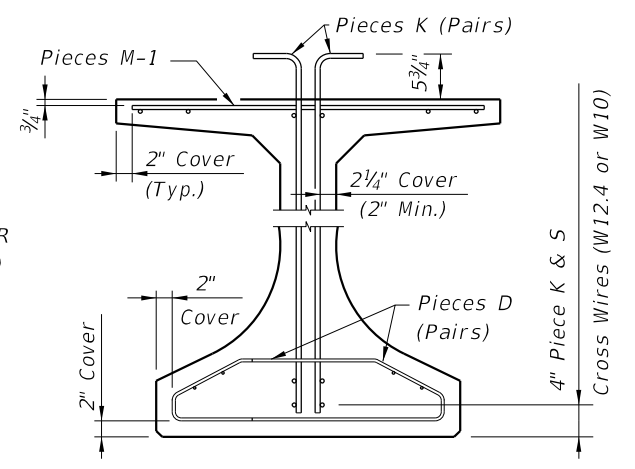
ALTERNATE REINFORCING STEEL (WELDED WIRE REINFORCEMENT) DETAILS



SECTION A-A FOR WELDED WIRE REINFORCEMENT



PARTIAL SECTION AT CENTER BEAM

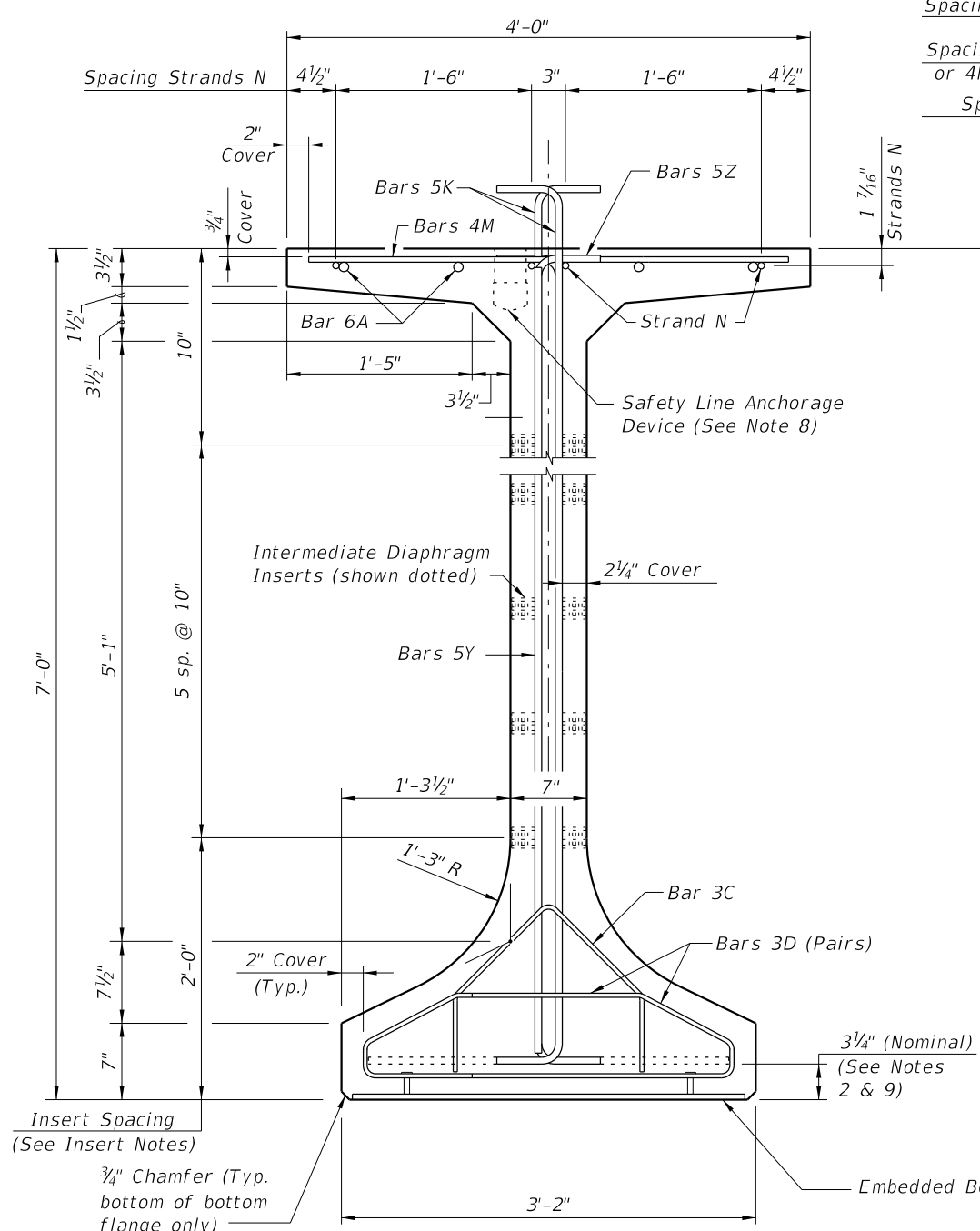


PARTIAL BEAM END VIEW (Conventional Reinforcing Bars A, C, Y and Strands N not Shown for Clarity)

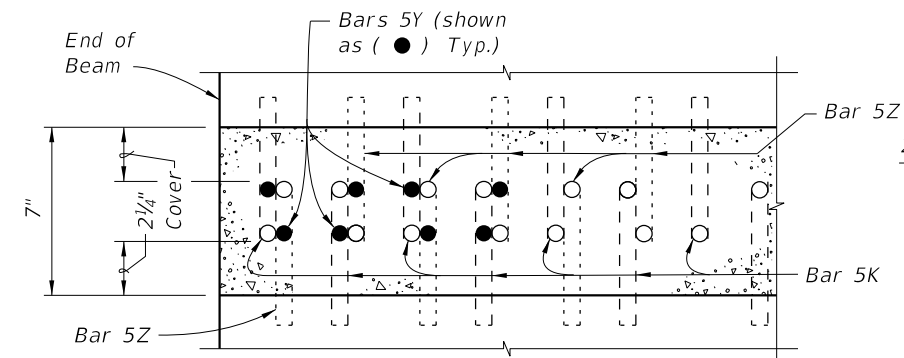
- NOTES:**
- See Sheet 1 for placement details & Table of Beam Variables in Structures Plans for variables S1, S2, S3, S4 & V1.
  - Place Conventional Reinforcing Bars 6A & 3C as shown on Sheet 1. Place additional Bars 5Y as shown in Section A-A for Welded Wire Reinforcement. Bars 5Z will not be used with the WWR Option.
  - Pieces may be fabricated in multiple length sections.
  - For beams with skewed end conditions, Pieces D-1, D-2 & M-1 shall not be used; Conventional Reinforcing Bars D1, D2, C1, C2, M1 & M2 shall be used. See Index No. 20010 Skew Details and Note 9 for placement details. Shift Pieces K & Bars 5Y to accommodate skewed end conditions and align with Bars C and D.
- LEGEND:**  
 EF = Each Face  
 FF = Front Face  
 BF = Back Face

6/24/2015 7:09:46 AM

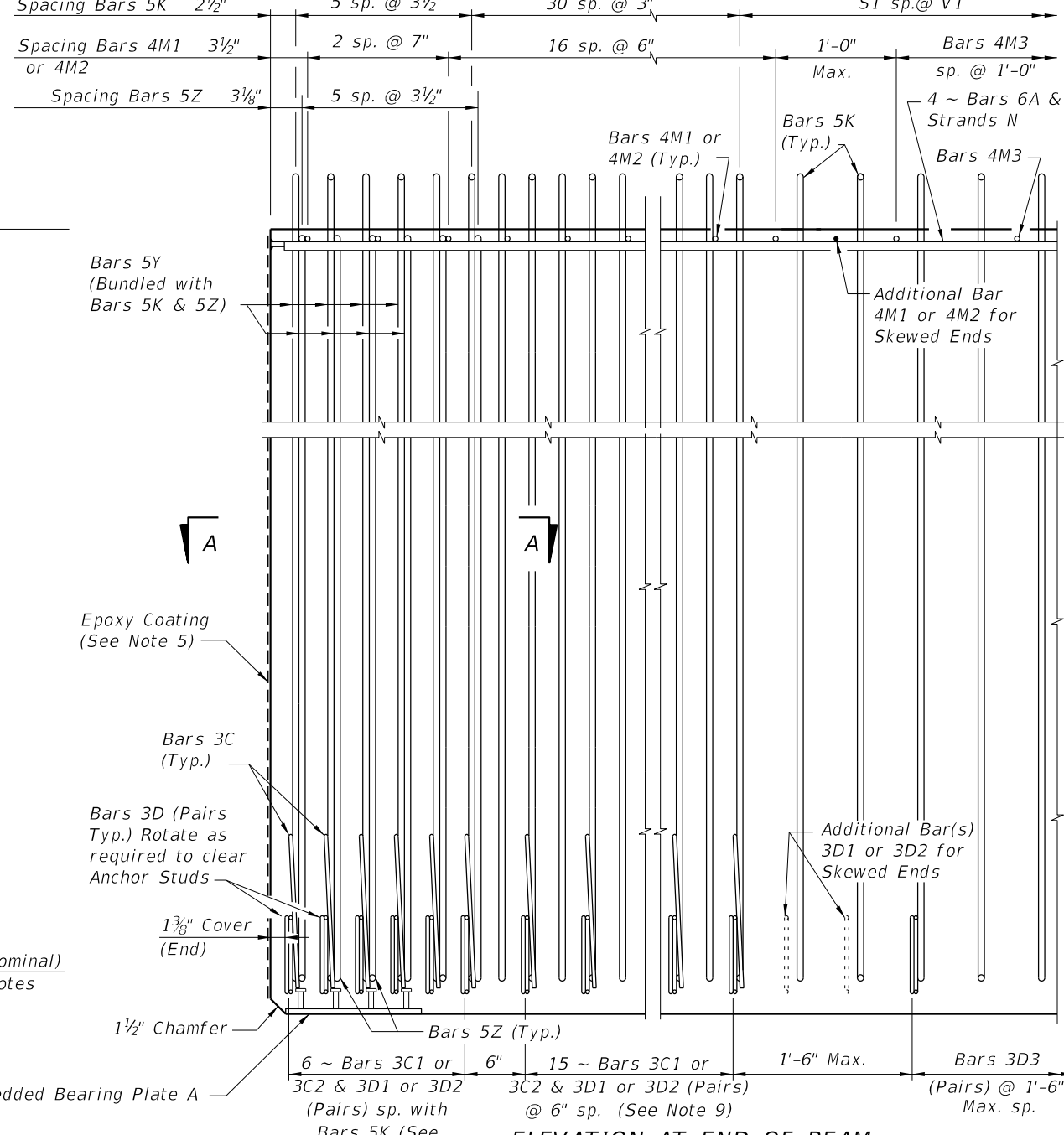
LAST REVISION 07/01/10	DESCRIPTION:	 2016 DESIGN STANDARDS	FLORIDA-I 78 BEAM - STANDARD DETAILS	INDEX NO. 20078	SHEET NO. 2 of 2
---------------------------	--------------	---------------------------	--------------------------------------	--------------------	---------------------



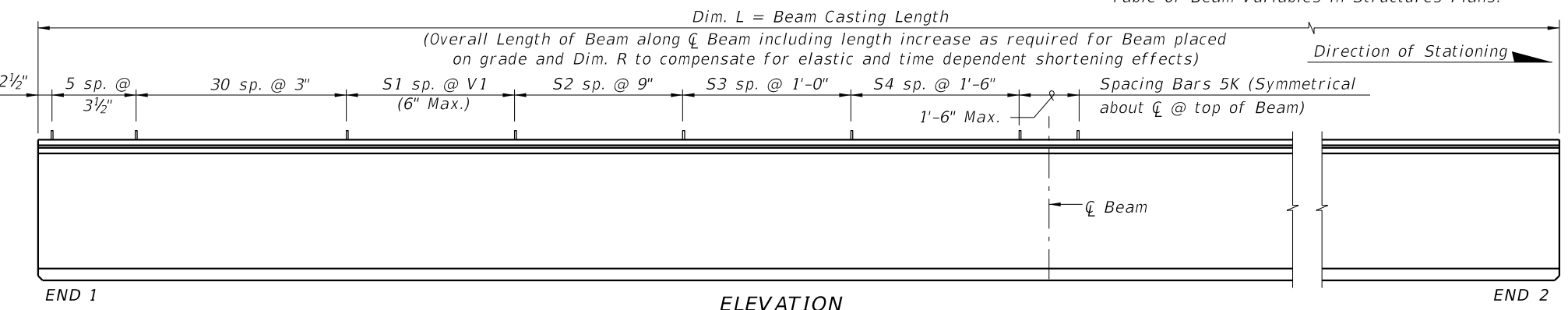
END VIEW



SECTION A-A FOR CONVENTIONAL REINFORCING (Showing Bars 5K, 5Y & 5Z Only)



ELEVATION AT END OF BEAM (Flanges Not Shown For Clarity) (End 1 Shown, End 2 Similar)

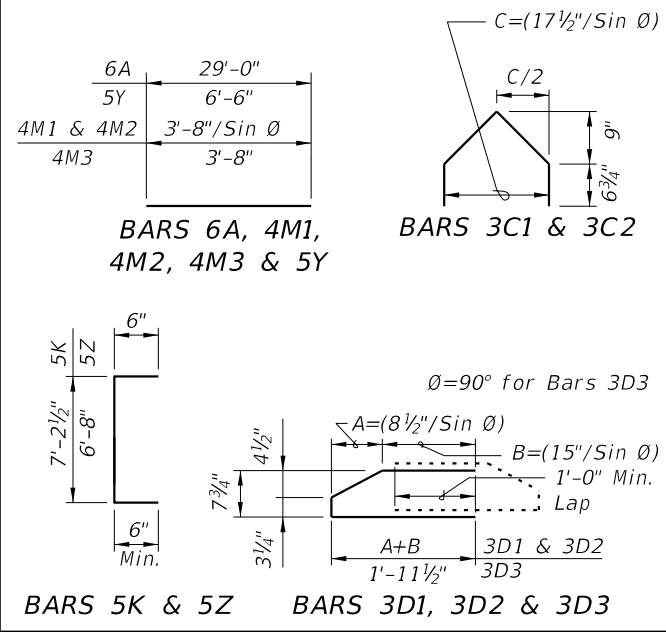


ELEVATION

CONVENTIONAL REINFORCING BAR BENDING DETAILS

BILL OF REINFORCING STEEL				
MARK	NOTE NUMBERS	SIZE	NUMBER REQUIRED	LENGTH (NOTE 1)
A	—	6	8	29'-0"
C1	9, 10 & 11	3	21 (End 1)	Varies
C2	9, 10 & 11	3	21 (End 2)	Varies
D1	9, 10, 11 & 14	3	42 (End 1)	Varies
D2	9, 10, 11 & 14	3	42 (End 2)	Varies
D3	9 & 14	3	See Table	4'-3"
K	2, 9, 11 & 13	5	See Table	8'-2"
M1	9 & 10	4	19 (End 1)	Varies
M2	9 & 10	4	19 (End 2)	Varies
M3	9	4	See Table	3'-8"
N	3 & 4	1/2" Ø Strand	4	Dim. L
Y	9 & 11	5	16	6'-6"
Z	2, 9, 11 & 13	5	12	7'-8"

BENDING DIAGRAMS (See Note 1)

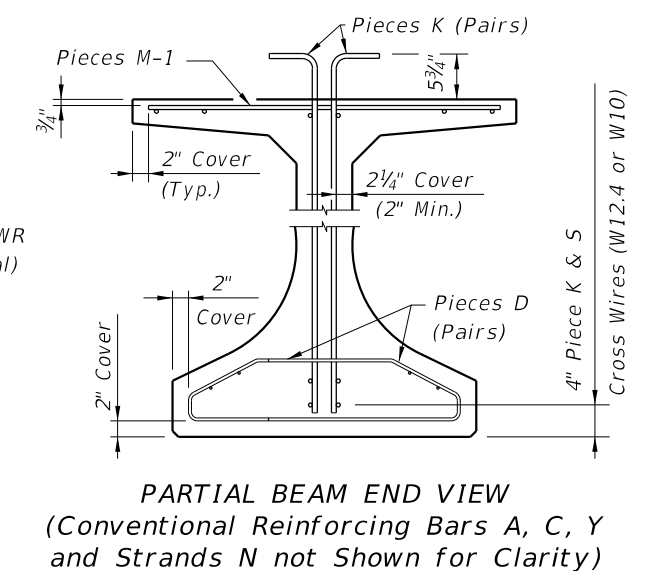
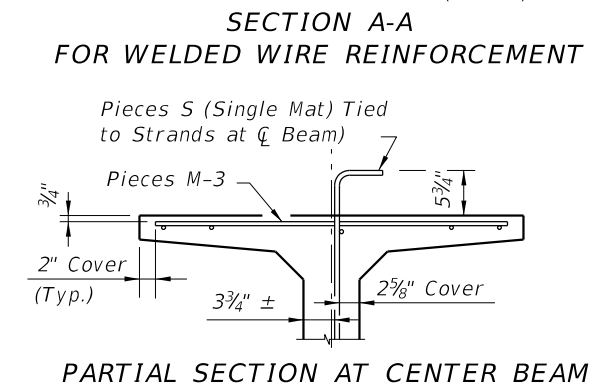
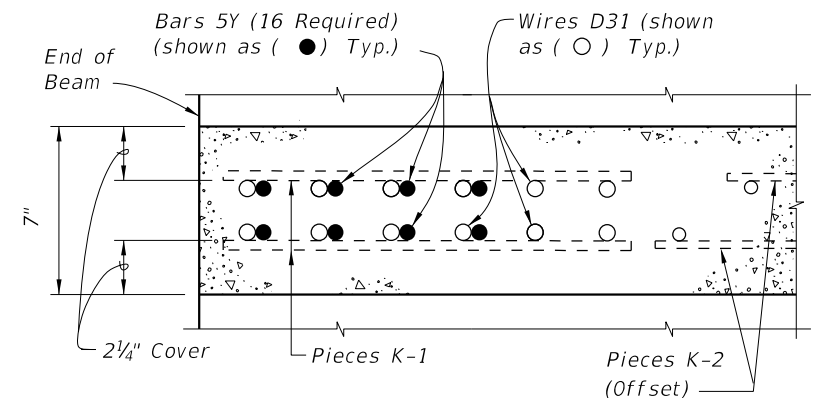
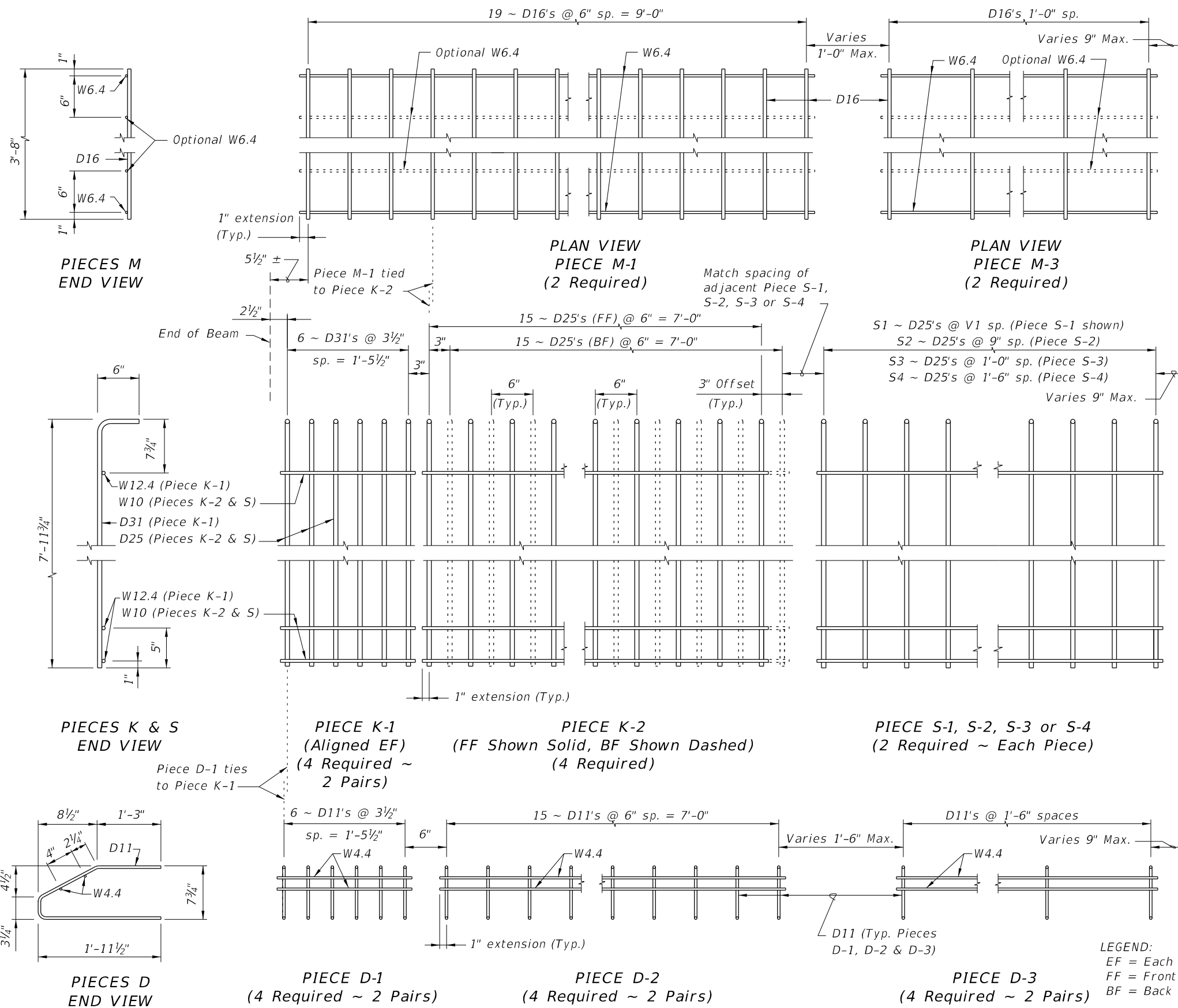


NOTES:  
 A. Work this Index with Index No. 20010 - Typical Florida-I Beam Details and Notes and the Florida-I Beam - Table of Beam Variables in Structures Plans.  
 B. For referenced notes, see Index No. 20010.  
 C. For Dimensions A, B, C, D, L, R & V1 and number of spaces S1 thru S4, see Florida-I Beam - Table of Beam Variables in Structures Plans.

6/24/2015 7:10:05 AM

LAST REVISION 07/01/12	DESCRIPTION:
---------------------------	--------------

ALTERNATE REINFORCING STEEL (WELDED WIRE REINFORCEMENT) DETAILS



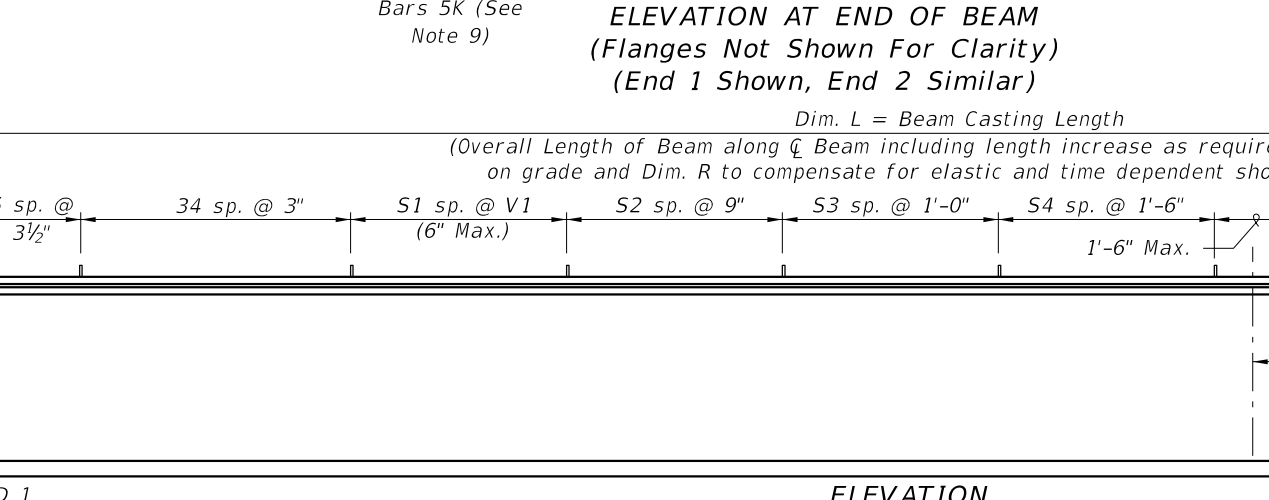
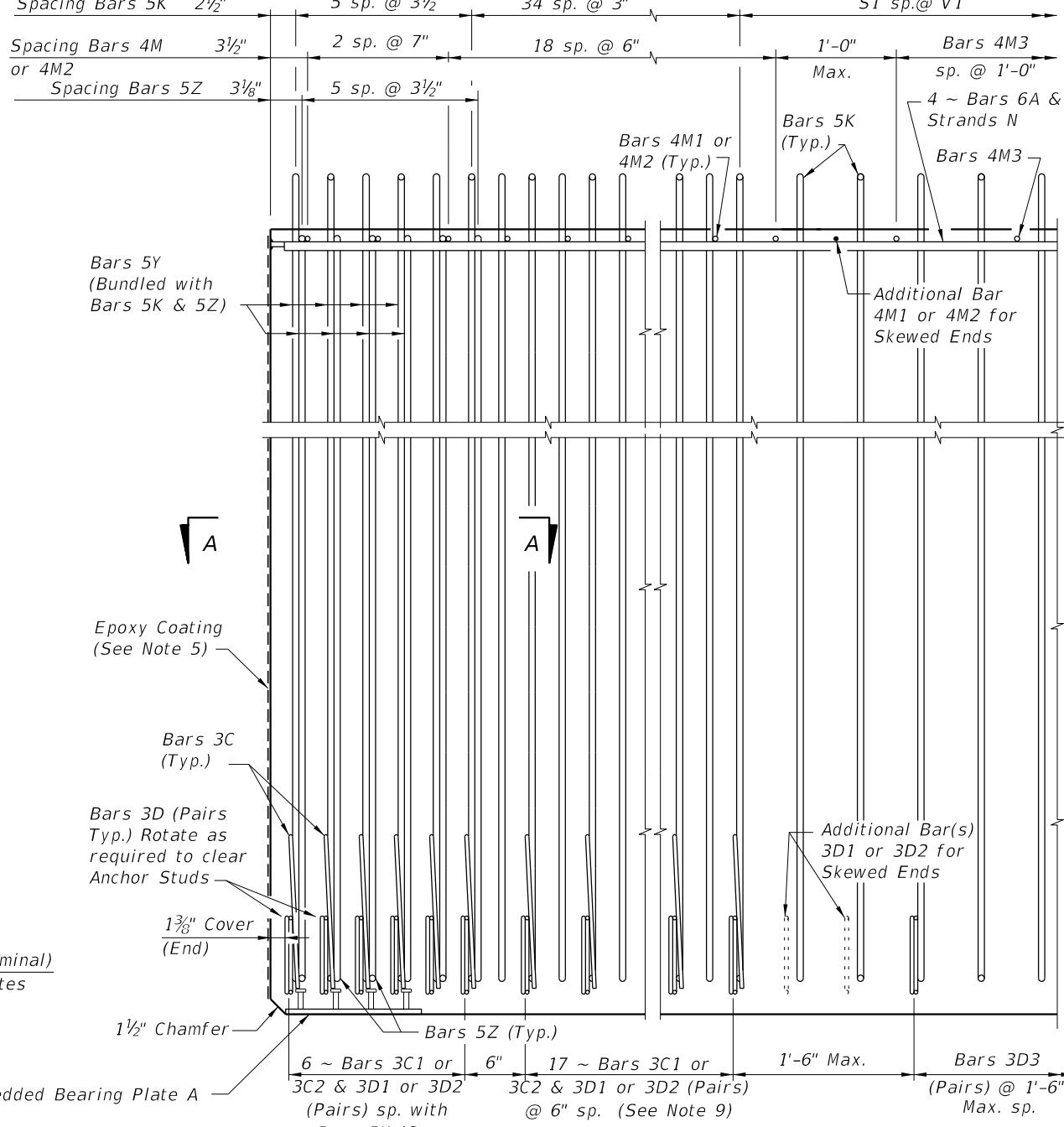
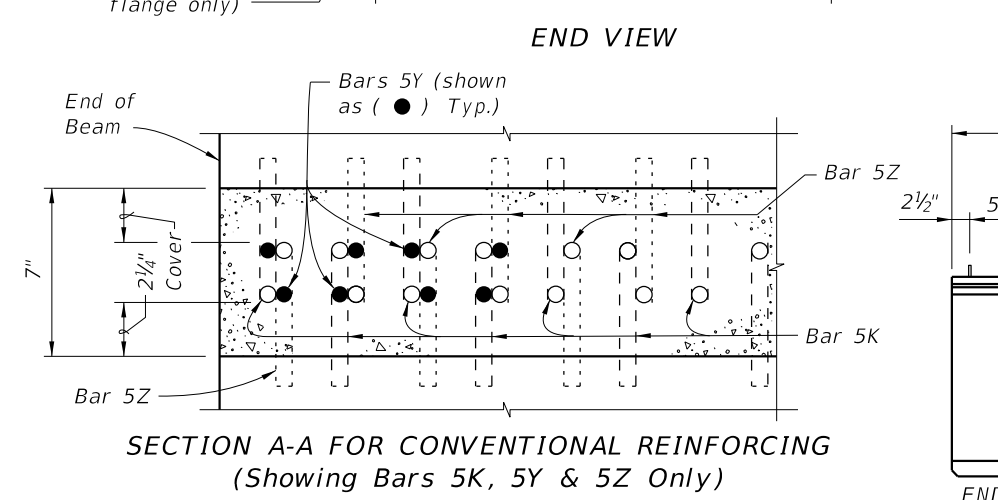
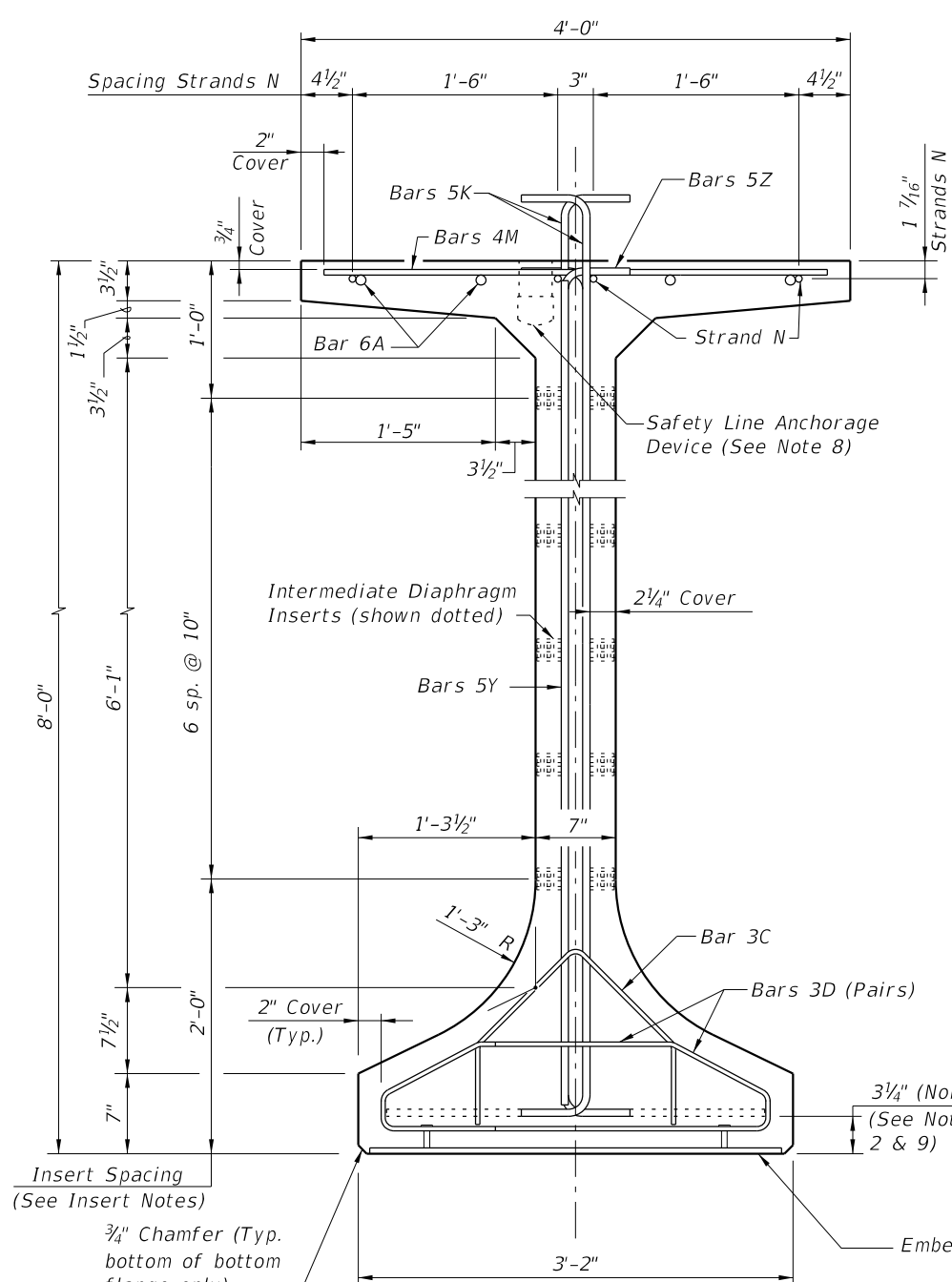
**NOTES:**

- See Sheet 1 for placement details & Table of Beam Variables in Structures Plans for variables S1, S2, S3, S4 & V1.
- Place Conventional Reinforcing Bars 6A & 3C as shown on Sheet 1. Place additional Bars 5Y as shown in Section A-A for Welded Wire Reinforcement. Bars 5Z will not be used with the WWR Option.
- Pieces may be fabricated in multiple length sections.
- For beams with skewed end conditions, Pieces D-1, D-2 & M-1 shall not be used; Conventional Reinforcing Bars D1, D2, C1, C2, M1 & M2 shall be used. See Index No. 20010 Skew Details and Note 9 for placement details. Shift Pieces K & Bars 5Y to accommodate skewed end conditions and align with Bars C and D.

**LEGEND:**  
 EF = Each Face  
 FF = Front Face  
 BF = Back Face

6/24/2015 7:10:05 AM

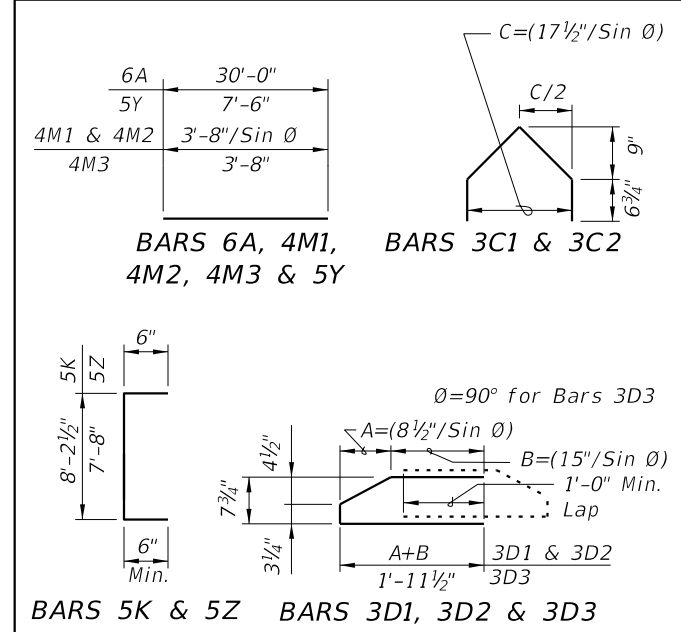
LAST REVISION 07/01/10	REVISION	DESCRIPTION:	 2016 DESIGN STANDARDS	FLORIDA-I 84 BEAM - STANDARD DETAILS	INDEX NO. 20084	SHEET NO. 2 of 2
---------------------------	----------	--------------	---------------------------	--------------------------------------	--------------------	---------------------



**CONVENTIONAL REINFORCING BAR BENDING DETAILS**

BILL OF REINFORCING STEEL				
MARK	NOTE NUMBERS	SIZE	NUMBER REQUIRED	LENGTH (NOTE 1)
A	—	6	8	30'-0"
C1	9, 10 & 11	3	23 (End 1)	Varies
C2	9, 10 & 11	3	23 (End 2)	Varies
D1	9, 10, 11 & 14	3	46 (End 1)	Varies
D2	9, 10, 11 & 14	3	46 (End 2)	Varies
D3	9 & 14	3	See Table	4'-3"
K	2, 9, 11 & 13	5	See Table	9'-2"
M1	9 & 10	4	21 (End 1)	Varies
M2	9 & 10	4	21 (End 2)	Varies
M3	9	4	See Table	3'-8"
N	3 & 4	1/2" Ø Strand	4	Dim. L
Y	9 & 11	5	16	7'-6"
Z	2, 9, 11 & 13	5	12	8'-8"

**BENDING DIAGRAMS (See Note 1)**

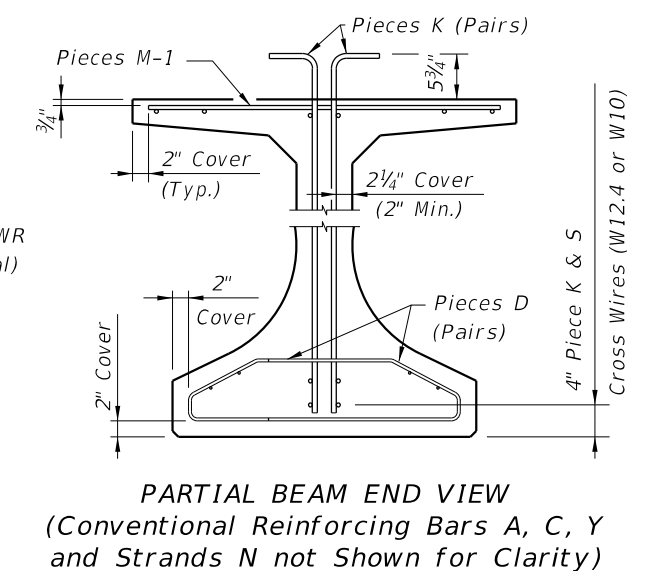
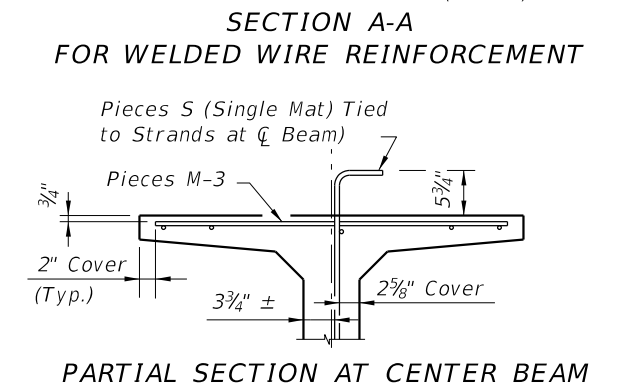
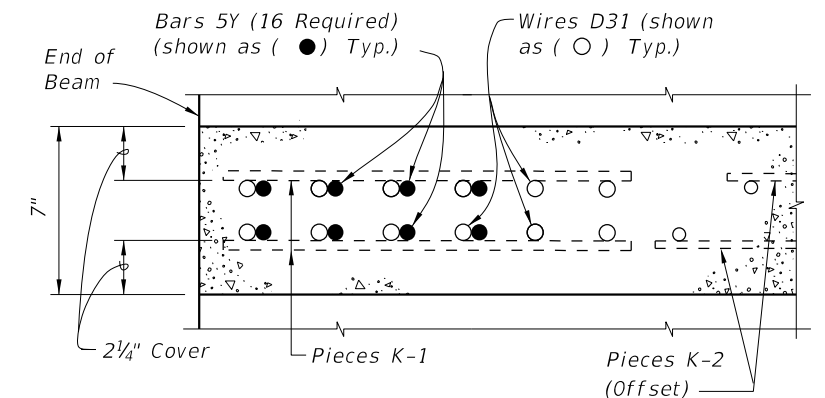
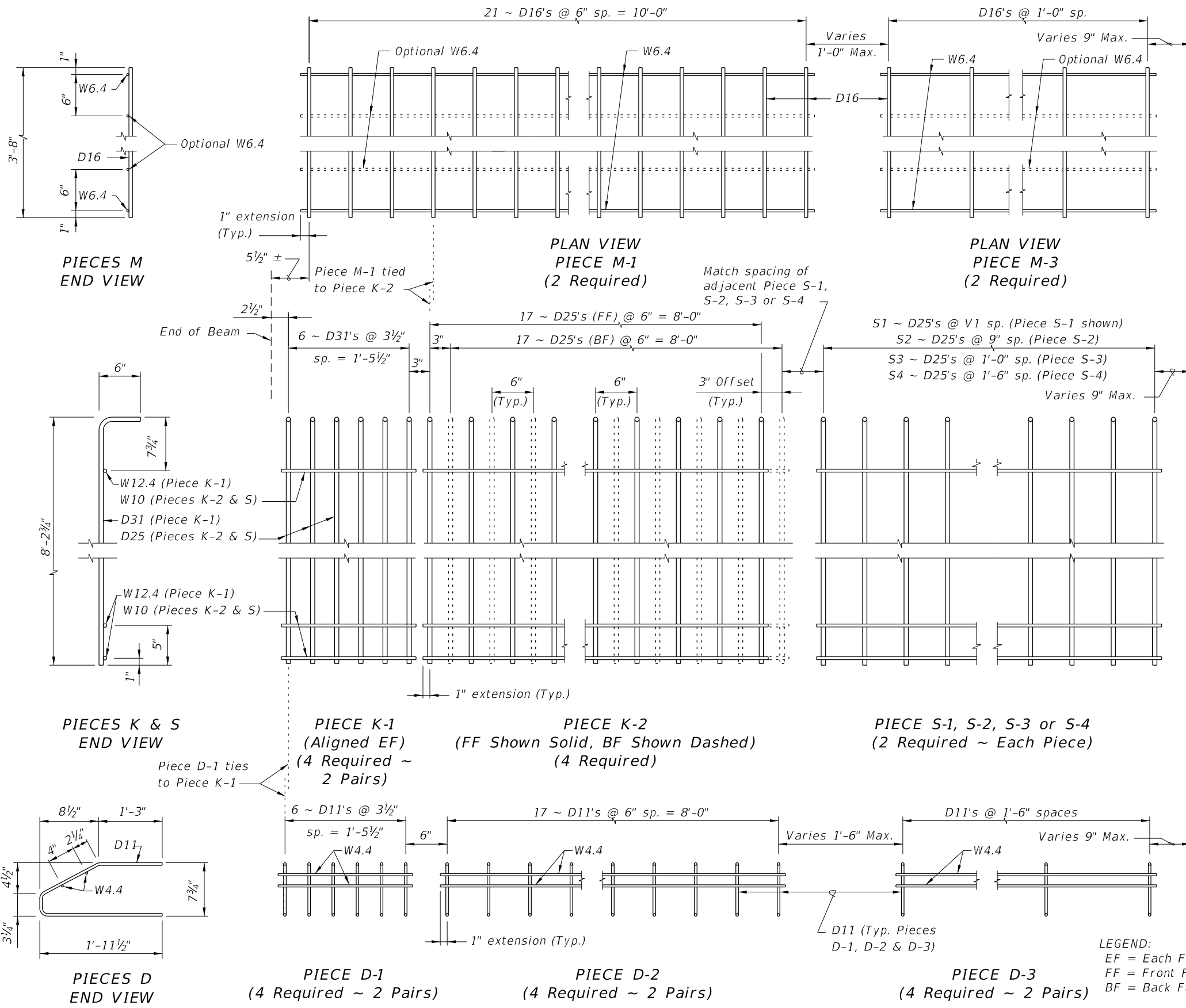


**NOTES:**  
 A. Work this Index with Index No. 20010 - Typical Florida-I Beam Details and Notes and the Florida-I Beam - Table of Beam Variables in Structures Plans.  
 B. For referenced notes, see Index No. 20010.  
 C. For Dimensions A, B, C, D, L, R & V1 and number of spaces S1 thru S4, see Florida-I Beam - Table of Beam Variables in Structures Plans.

7:10:25 AM  
6/24/2015

LAST REVISION 07/01/12	DESCRIPTION:
---------------------------	--------------

ALTERNATE REINFORCING STEEL (WELDED WIRE REINFORCEMENT) DETAILS



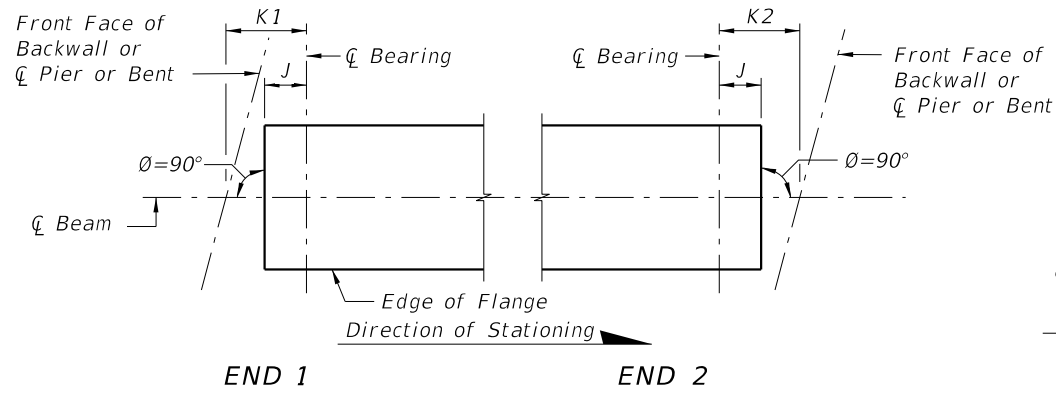
**NOTES:**

- See Sheet 1 for placement details & Table of Beam Variables in Structures Plans for variables S1, S2, S3, S4 & V1.
- Place Conventional Reinforcing Bars 6A & 3C as shown on Sheet 1. Place additional Bars 5Y as shown in Section A-A for Welded Wire Reinforcement. Bars 5Z will not be used with the WWR Option.
- Pieces may be fabricated in multiple length sections.
- For beams with skewed end conditions, Pieces D-1, D-2 & M-1 shall not be used; Conventional Reinforcing Bars D1, D2, C1, C2, M1 & M2 shall be used. See Index No. 20010 Skew Details and Note 9 for placement details. Shift Pieces K & Bars 5Y to accommodate skewed end conditions and align with Bars C and D.

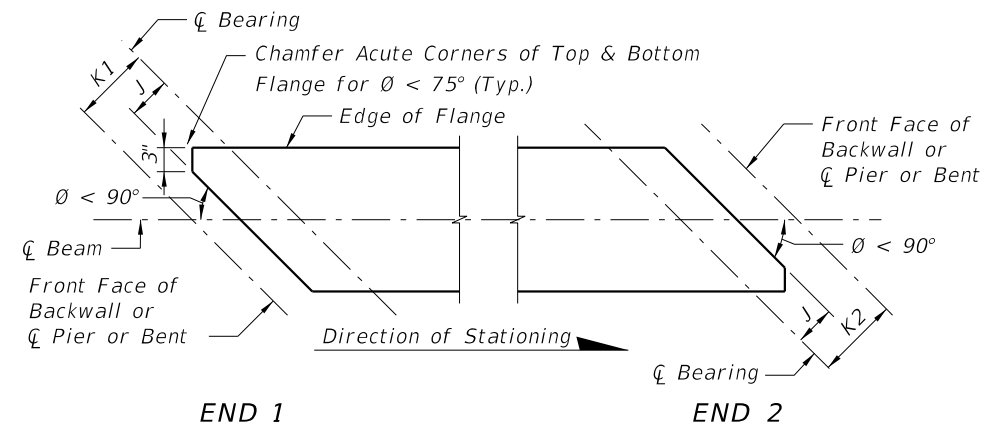
**LEGEND:**  
 EF = Each Face  
 FF = Front Face  
 BF = Back Face

6/24/2015 7:10:26 AM

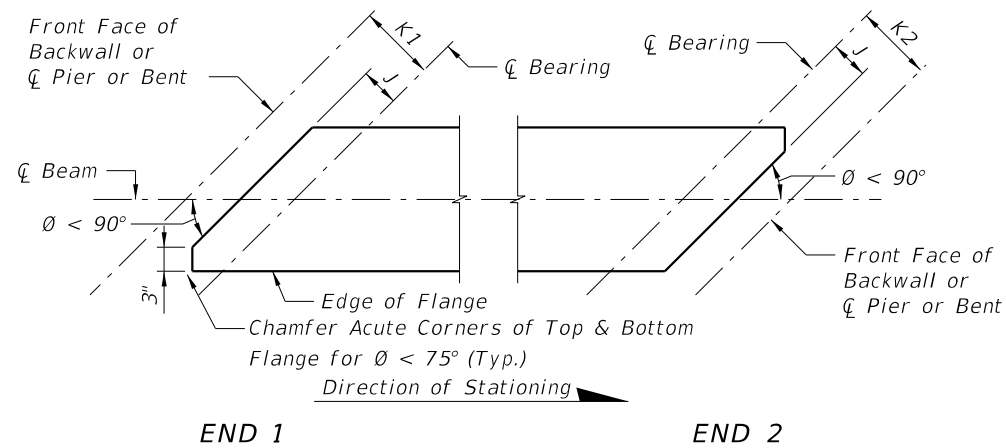
LAST REVISION 07/01/10	REVISION	DESCRIPTION:	 2016 DESIGN STANDARDS	FLORIDA-I 96 BEAM - STANDARD DETAILS	INDEX NO. 20096	SHEET NO. 2 of 2
---------------------------	----------	--------------	---------------------------	--------------------------------------	--------------------	---------------------



**CASE 1**  
(Standard Orientation for New Construction)

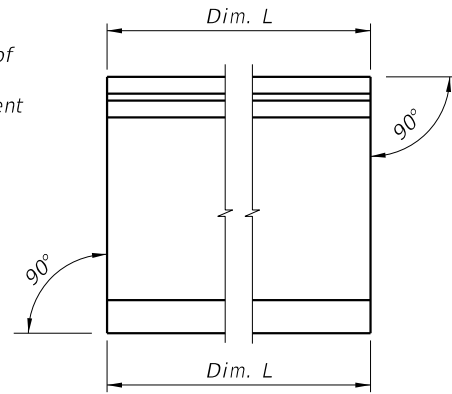


**CASE 2**  
(Special Orientation for Widening)

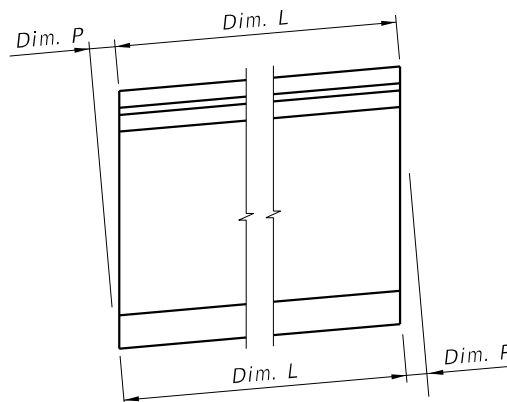


**CASE 3**  
(Special Orientation for Widening)

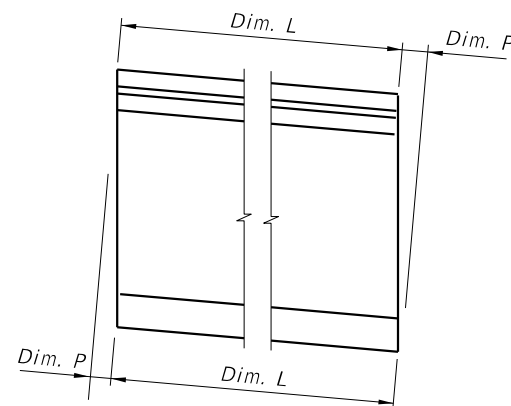
**SCHEMATIC PLAN VIEWS AT BEAM ENDS**



**CONDITION 1**  
(Dim P = 0.0)



**CONDITION 2**



**CONDITION 3**

**SCHEMATIC END ELEVATIONS OF BEAMS**  
(Showing Vertical Bevel of Beam End)

**BEAM NOTES**

1. All bar dimensions are out-to-out.
2. Place one (1) Bar 4K, or 5Z at each location as detailed alternating the direction of the ends for each bar (see "ELEVATION AT END OF BEAM", Sheet 3).
3. Strands N shall be ASTM A416, Grade 270, seven-wire strands  $\frac{3}{8}$ "  $\varnothing$  or larger, stressed to 10,000 lbs. each.
4. For beams with ends not to be encased in permanent concrete diaphragms, after detensioning cut wedge to recess Prestressing Strands at the end of the beam without damaging the surrounding concrete. See "STRAND CUTTING AND PROTECTING DETAIL" on Sheet 2.
5. For beams with ends not to be encased in permanent concrete diaphragms, protect end of recessed strands in accordance with Specification Section 450.
6. Unless otherwise noted, the minimum concrete cover for reinforcing steel shall be 2".
7. At the Contractor's option, welded deformed wire reinforcement may be used in lieu of Bars 3D, 4K, and 5Z as shown on Sheet 4. Welded deformed wire reinforcement shall meet requirements of Specification Section 931.
8. Safety Line Anchorage Devices or sleeves are required and permitted in the top flange only to accommodate fall protection systems used during construction. See shop drawings for details and spacing of any required embedments.
9. For beams with skewed end conditions, the end reinforcement, defined as Bars 3D1, 3D2, 4K, 4Y and 5Z placed within the limits of Bars 3D in "ELEVATION AT END OF BEAM", shall be placed parallel to the skewed end of the beam. Bars 3D and 4K, located beyond the limits of Bars 3D shall be placed perpendicular to the longitudinal axis of the beam. For placement locations, see "SKEWED BEAM END DETAILS". Adjust the dimensions of Bars 3D1 and 3D2, as shown on the "BENDING DIAGRAM" for skewed end conditions.
10. Placement of Bars 3D1 correspond to END 1, and Bars 3D2, correspond to END 2. END 1 and END 2 are shown on the beam "ELEVATION".
11. For Beams with vertically beveled end conditions, place first row of Bars 3D1, 3D2, 4K, 4Y and 5Z parallel to the end of the beam. Progressively rotate remaining bars within the limits of Bars 5Z until vertical by adjusting the spacing at the top of beam up to a maximum of 1". For welded deformed wire reinforcement, cut top cross wire and rotate bars as required or reduce end cover at top of the beam to minimum 1".
12. For beams with skewed end conditions, welded deformed wire reinforcement shall not be used for end confinement reinforcement (Bars 3D1 and 3D2).
13. Bars 4K and 5Z shall be placed and tied to the fully bonded strands in the bottom or center row (see "STRAND PATTERN" on the Table of Beam Variables in Structures Plans). For welded deformed wire reinforcement, supplemental transverse bars are permitted to support Pieces K & S under the cross wires on the bottom row of strands or Strands N.
14. At the Contractor's option, Bars 3D1, 3D2 and 3D3 may be fabricated as a two-piece bar with a 1'-0" minimum lap splice of the bottom legs.
15. For referenced Dimensions, Angles and Case Numbers, see the Table of Beam Variables in Structures Plans.

6/24/2015 7:10:47 AM

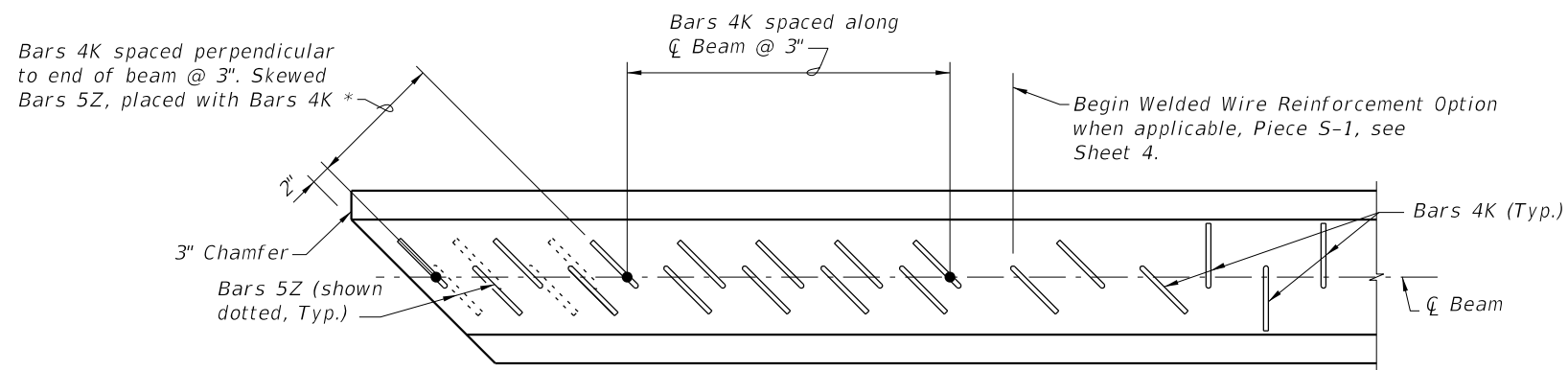
**DETAILS AND NOTES**

LAST REVISION 07/01/14	DESCRIPTION:
---------------------------	--------------



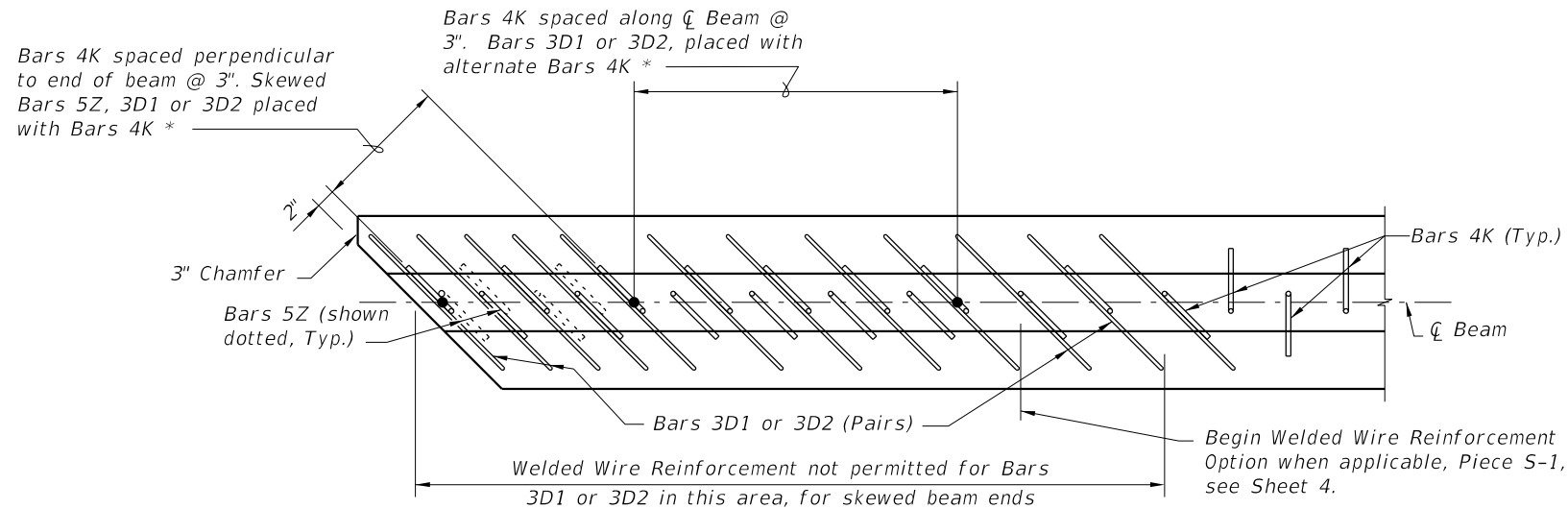
**AASHTO TYPE II BEAM**

INDEX NO. 20120	SHEET NO. 1 of 4
--------------------	---------------------



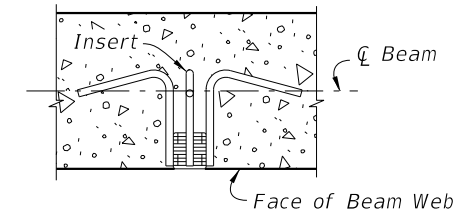
**PARTIAL PLAN VIEW (SHOWING TOP FLANGE)**  
 (End 1 Shown, End 2 Similar)  
 (Bars 5A, 4Y & Strands N not shown for clarity)

\* For number of Bars, spacing and placement details see Sheet 3. See Sheet 3 for Conventional Reinforcement, Sheet 4 for Welded Wire Reinforcement.



**PARTIAL SECTION THRU WEB (SHOWING BOTTOM FLANGE)**  
 (End 1 Shown, End 2 Similar)  
 (Bars 4Y & Strands not shown for clarity)

===== **SKEWED BEAM END DETAILS FOR WIDENING EXISTING BRIDGES** =====

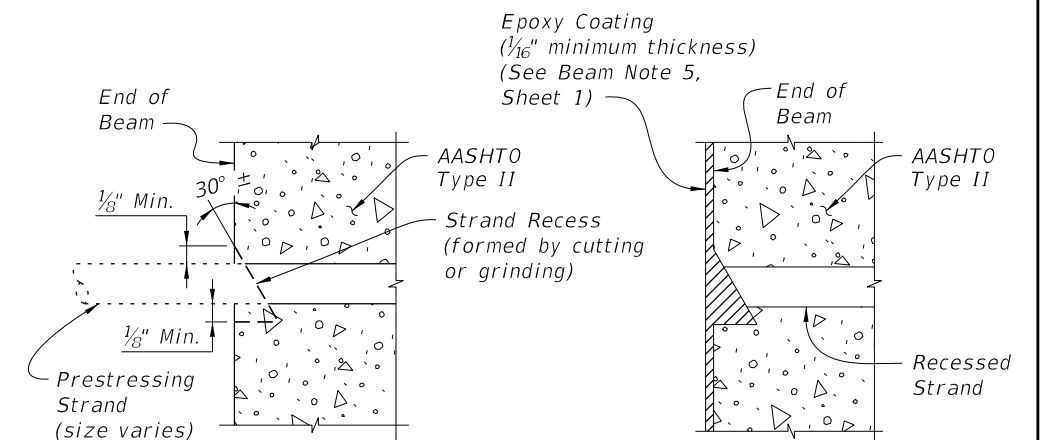


**PLAN SECTION THRU BEAM WEB AT INSERT FOR DIAPHRAGM REINFORCING**  
 (When Intermediate Diaphragms are Required by Design)

**INSERT NOTES**

1. Provide 1" Ø, zinc-electroplated, ferrule wing nut or coil inserts, UNC threads, 1/0 minimum gage wire, not more than 4" in depth with a minimum ultimate tensile strength of 11,400 lbs. in 4,000 psi concrete.
2. If inserts are needed on both sides (faces) of beam webs, an assembly as long as the thickness of the beam web, consisting of two (2) ferrule or coil inserts attached by two (2) or more struts may be utilized. The connecting struts shall have a minimum ultimate tensile strength of 11,400 lbs.
3. Inserts for diaphragm reinforcing are required at each end of each intermediate diaphragm shown on the Beam Framing Plan and may be required at the end of the beams when end diaphragms are shown. See Superstructure and Beam Framing Plans for longitudinal location of inserts for each face of beam.

===== **INSERT DETAIL** =====



**TYPICAL SECTION SHOWING CUT STRAND RECESS LIMITS**

**TYPICAL SECTION AFTER PROTECTING**

===== **STRAND CUTTING AND PROTECTING DETAIL** =====

6/24/2015 7:10:47 AM

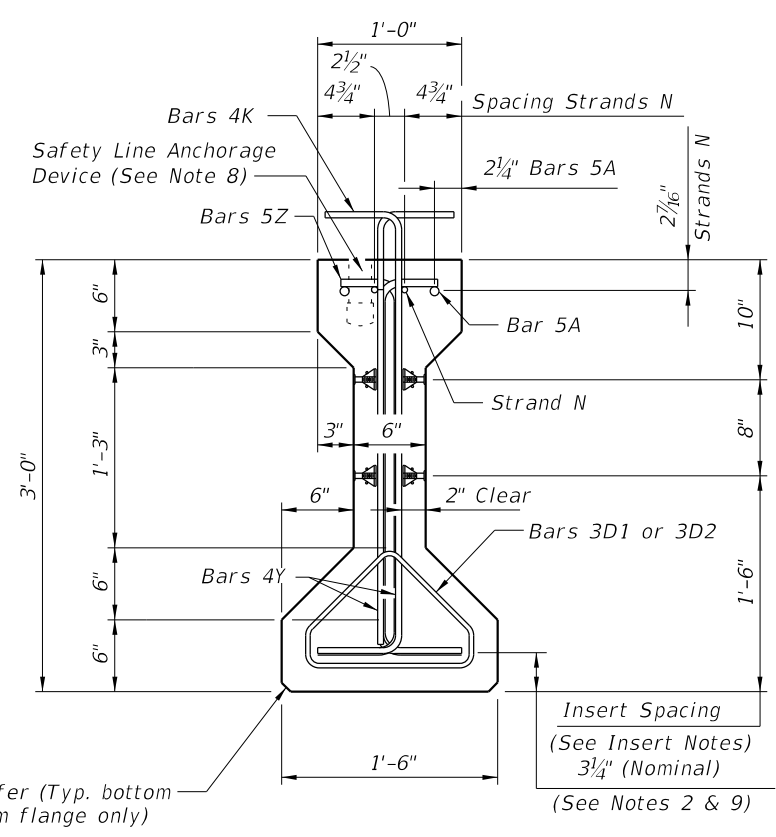
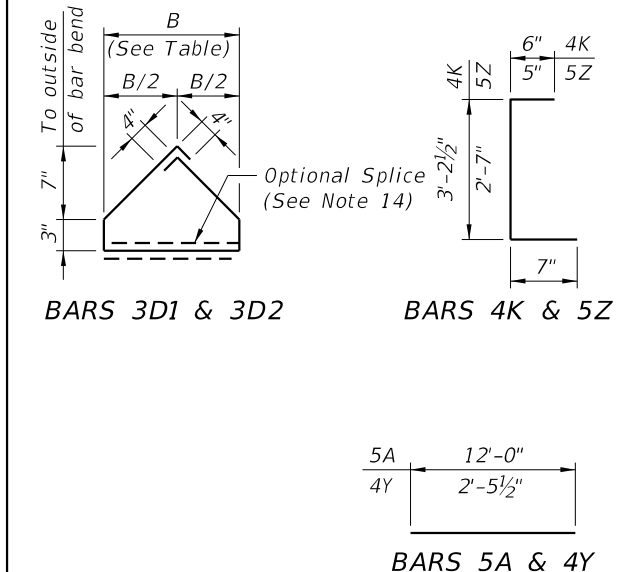
LAST REVISION 07/01/14	REVISION	DESCRIPTION:
---------------------------	----------	--------------



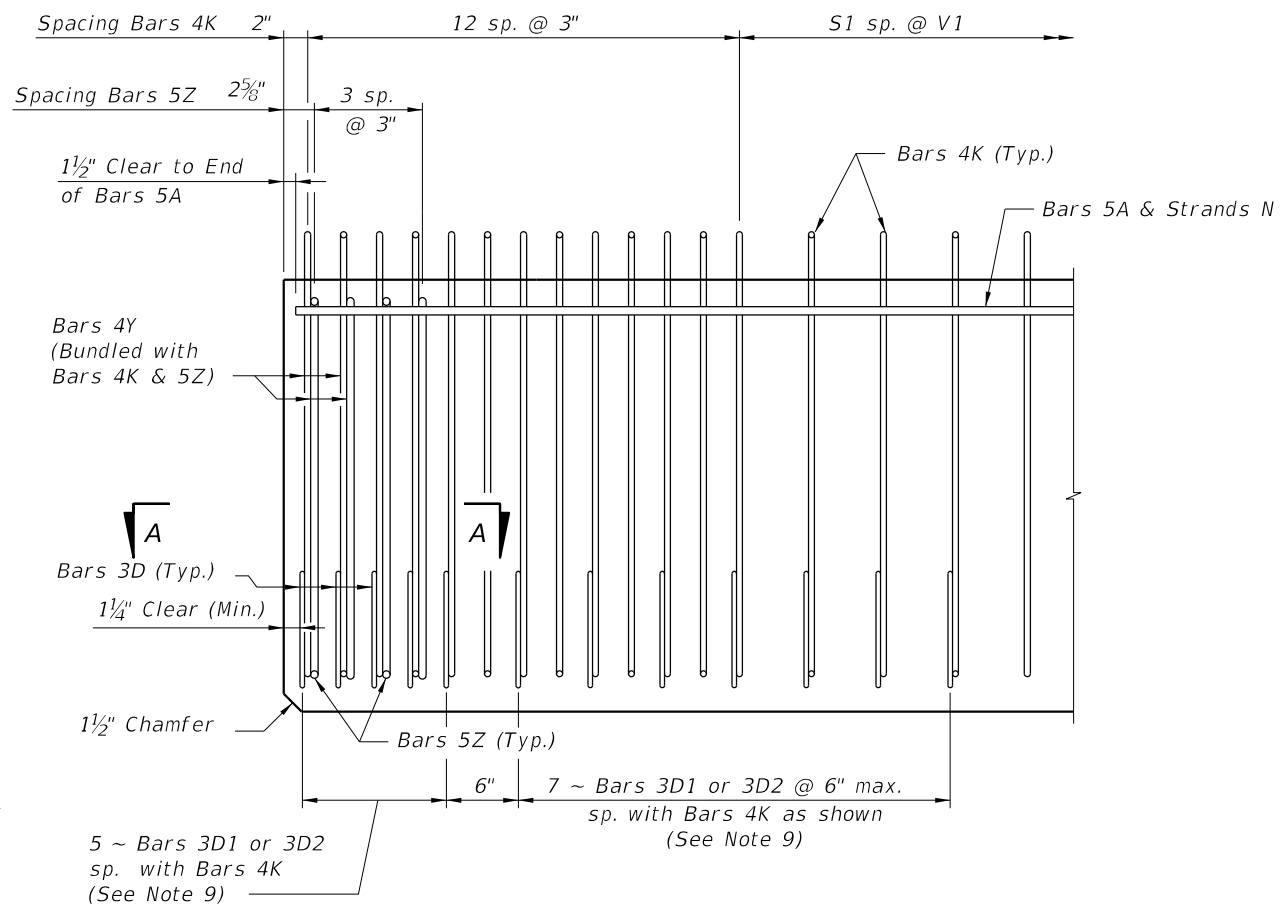
**BILL OF REINFORCING STEEL FOR ONE BEAM ONLY**

MARK	NOTE NUMBERS	SIZE	NUMBER REQUIRED	LENGTH (NOTE 1)
A	—	5	4	12'-0"
D1	9, 11 & 14	3	12	See Table
D2	9, 11 & 14	3	12	See Table
K	2, 9, 11 & 13	4	See Table	4'-4"
N	3 & 5	$\frac{3}{8}$ " $\emptyset$ Strand	2	DIM L+5"
Y	9 & 11	4	8	2'-6"
Z	2, 9, 11 & 13	5	8	3'-7"

**BENDING DIAGRAMS (See Note 1)**

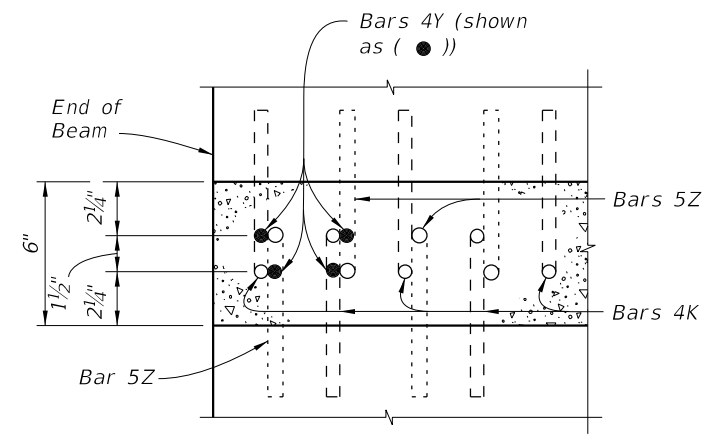


**END VIEW**

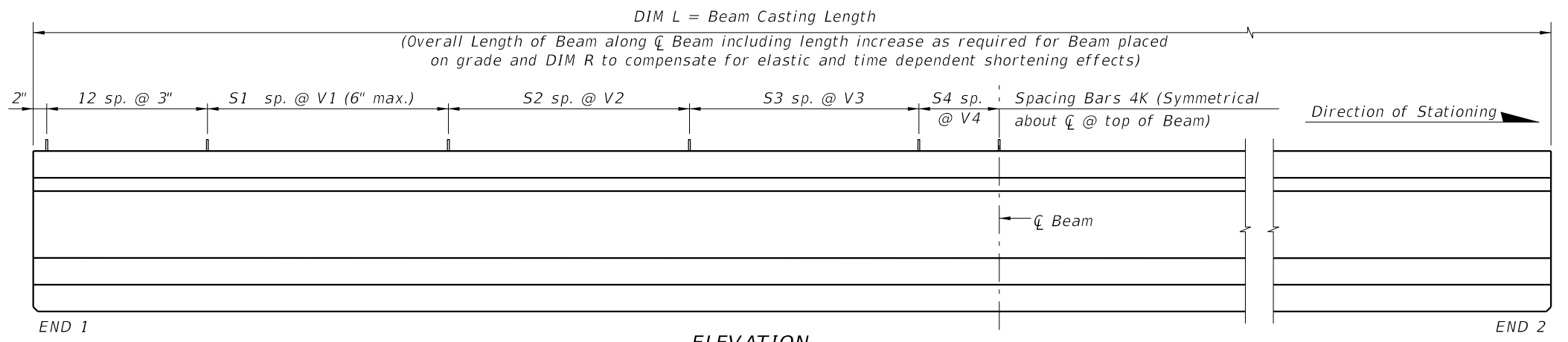


**ELEVATION AT END OF BEAM (Flanges Not Shown For Clarity)**

**NOTES:**  
 Work this Index with the AASHTO Type II Beam - Table of Beam Variables in Structures Plans.  
 For referenced notes, see Sheet 1.  
 For Dimensions L, R, V1 thru V4 and number of spaces S1 thru S4, see AASHTO Type II Beam - Table of Beam Variables.



**SECTION A-A (Showing Bars 4K, 4Y & 5Z Only)**



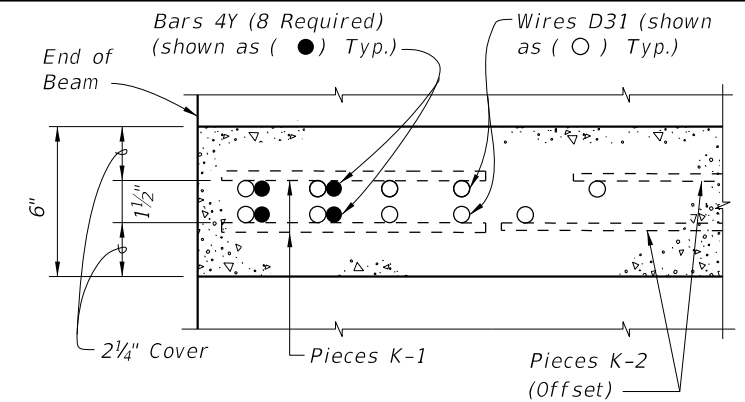
**ELEVATION**

6/24/2015 7:10:48 AM

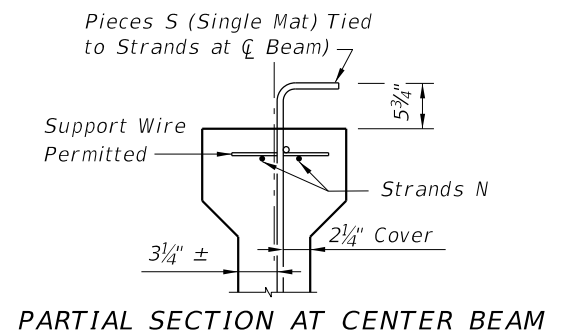
LAST REVISION 07/01/13	REVISION	DESCRIPTION:	 2016 DESIGN STANDARDS	AASHTO TYPE II BEAM	INDEX NO. 20120	SHEET NO. 3 of 4
---------------------------	----------	--------------	---------------------------	---------------------	--------------------	---------------------

STANDARD DETAILS

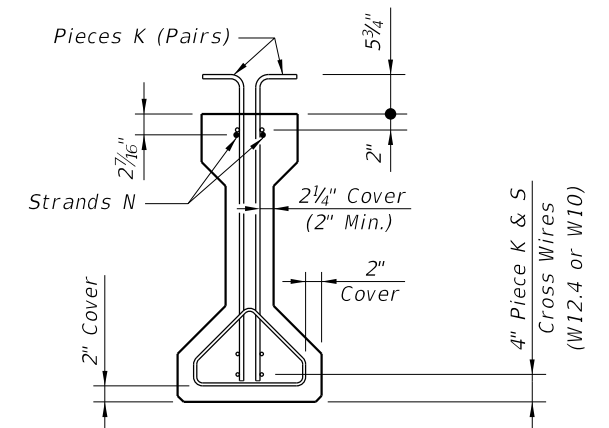
ALTERNATE REINFORCING STEEL (WELDED WIRE REINFORCEMENT) DETAILS



SECTION A-A  
FOR WELDED WIRE REINFORCEMENT



PARTIAL SECTION AT CENTER BEAM



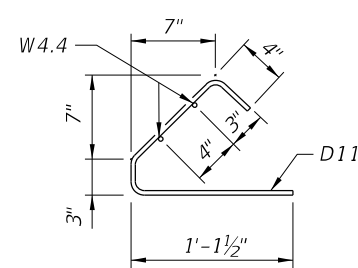
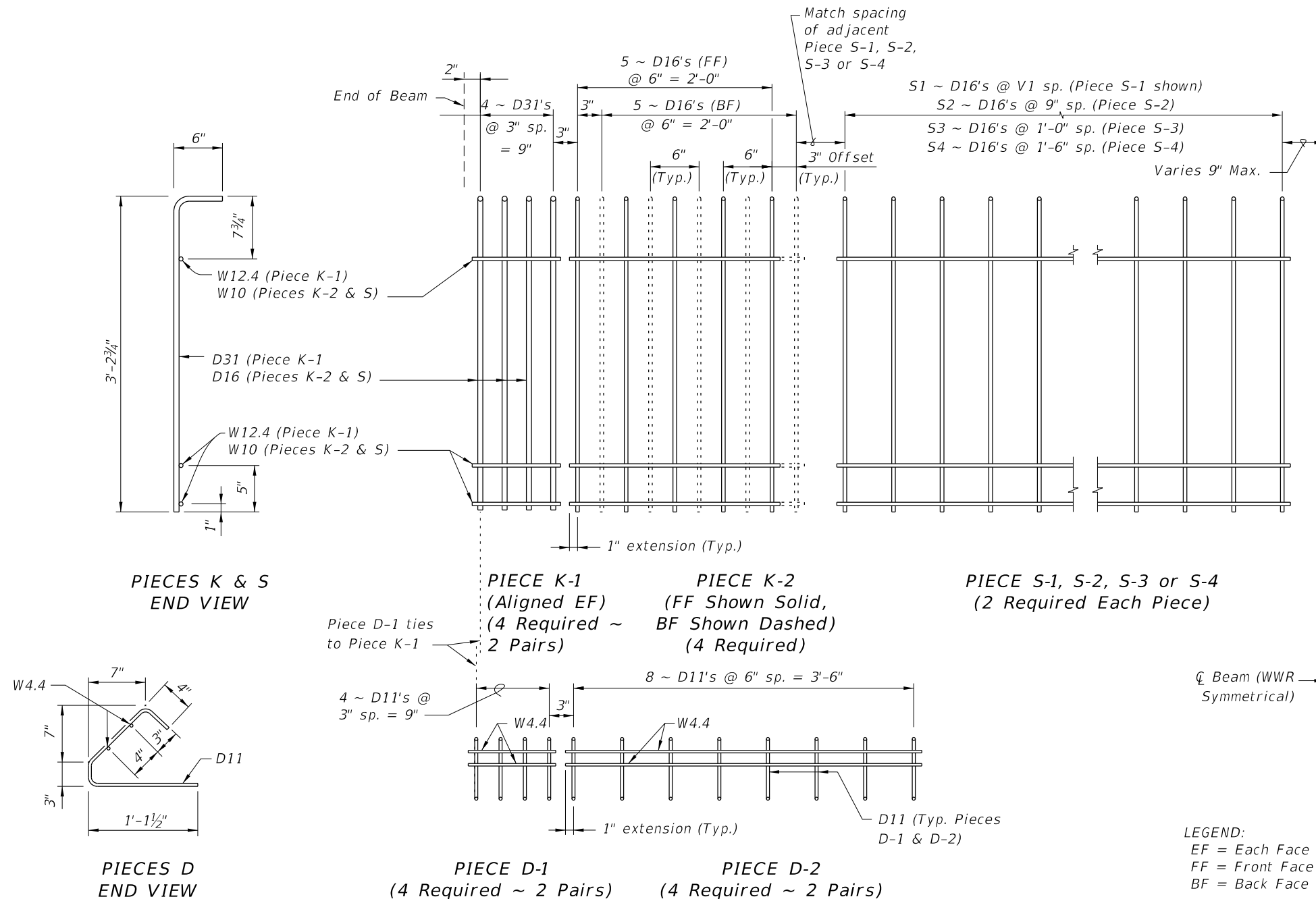
PARTIAL BEAM END VIEW  
(Conventional Reinforcing Bars A, Y and Bottom Strands not shown for clarity)

NOTES:

- See Sheet 3 for placement details & Table of Beam Variables in Structures Plans for variables S1, S2, S3, S4 & V1.
- Place Conventional Reinforcement Bars 5A as shown on Sheet 3. Place additional Bars 4Y as shown in Section A-A for Welded Wire Reinforcement. Bars 5Z will not be used with the WWR Option.
- Pieces may be fabricated in multiple length sections.
- For beams with skewed end conditions, Pieces D-1 & D-2 shall not be used; Conventional Reinforcement Bars D1 & D2 shall be used. See Sheet 2 Skew Details and Sheet 1 Note 9 for placement details. Shift Pieces K & Bars 4Y to accommodate skewed end conditions and align with Bars D.

LEGEND:

- EF = Each Face
- FF = Front Face
- BF = Back Face



PIECES D  
END VIEW

Piece D-1 ties to Piece K-1

4 ~ D11's @ 3" sp. = 9"

PIECE D-1  
(4 Required ~ 2 Pairs)

PIECE K-2  
(FF Shown Solid, BF Shown Dashed)  
(4 Required)

8 ~ D11's @ 6" sp. = 3'-6"

PIECE D-2  
(4 Required ~ 2 Pairs)

PIECE S-1, S-2, S-3 or S-4  
(2 Required Each Piece)

∅ Beam (WWR Symmetrical)

6/24/2015 7:10:49 AM

LAST REVISION  
07/01/13

REVISION

DESCRIPTION:

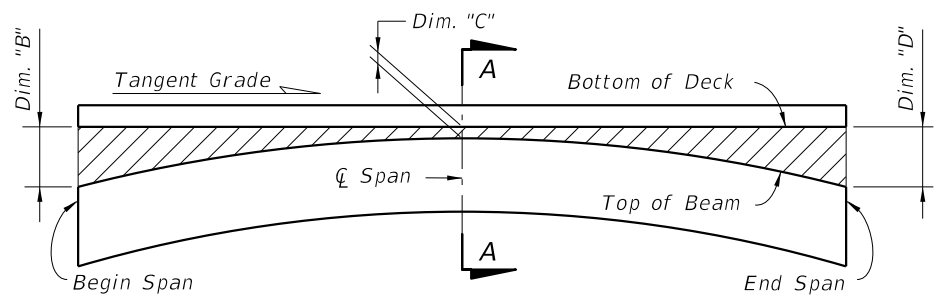
2016  
FDOT DESIGN STANDARDS

AASHTO TYPE II BEAM

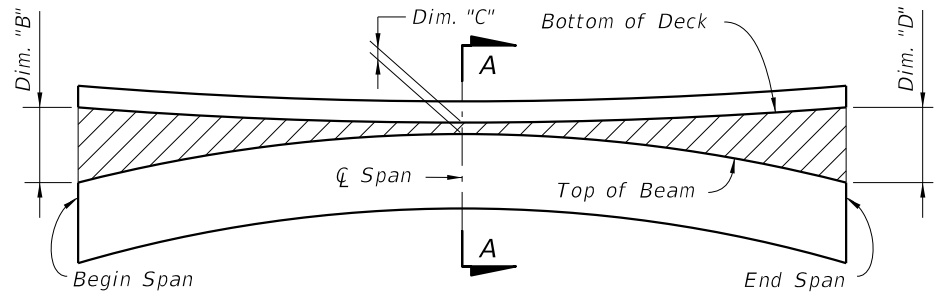
STANDARD DETAILS

INDEX NO.  
20120

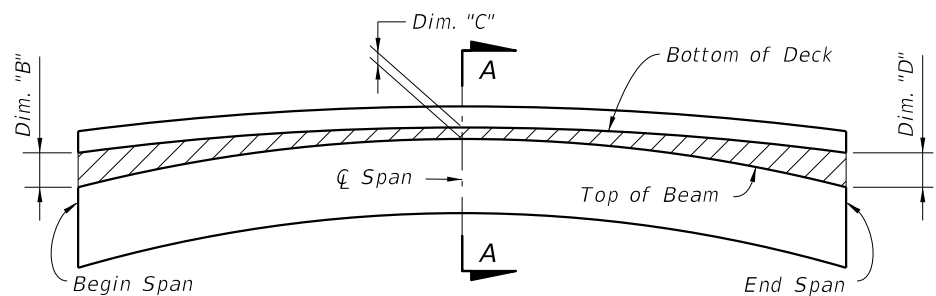
SHEET NO.  
4 of 4



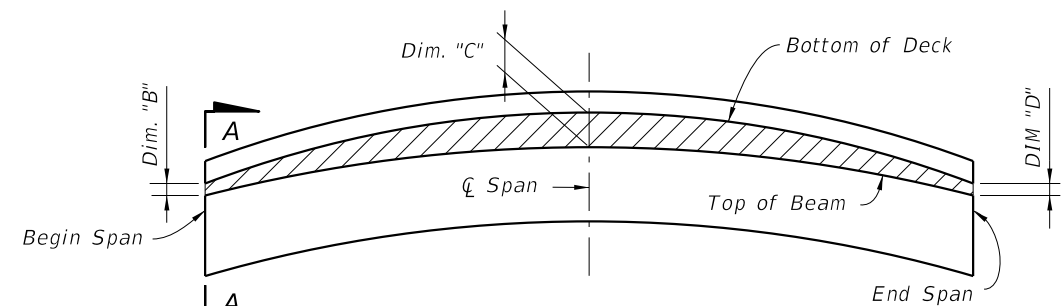
**BUILD-UP DIAGRAM FOR TANGENT SPANS  
(ALONG  $\bar{C}$  BEAM) (CASE 1)**



**BUILD-UP DIAGRAM FOR SAG VERTICAL CURVE & HORIZONTAL CURVE SPANS  
(ALONG  $\bar{C}$  BEAM) (CASE 2)**



**BUILD-UP DIAGRAM FOR CREST VERTICAL CURVE SPANS  
- CONTROL AT  $\bar{C}$  SPAN  
(ALONG  $\bar{C}$  BEAM) (CASE 3)**

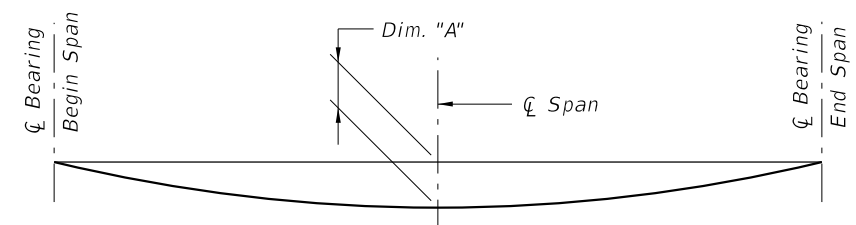


**BUILD-UP DIAGRAM FOR CREST VERTICAL CURVE SPANS  
- CONTROL AT BEGIN OR END SPAN  
(ALONG  $\bar{C}$  BEAM) (CASE 4)**

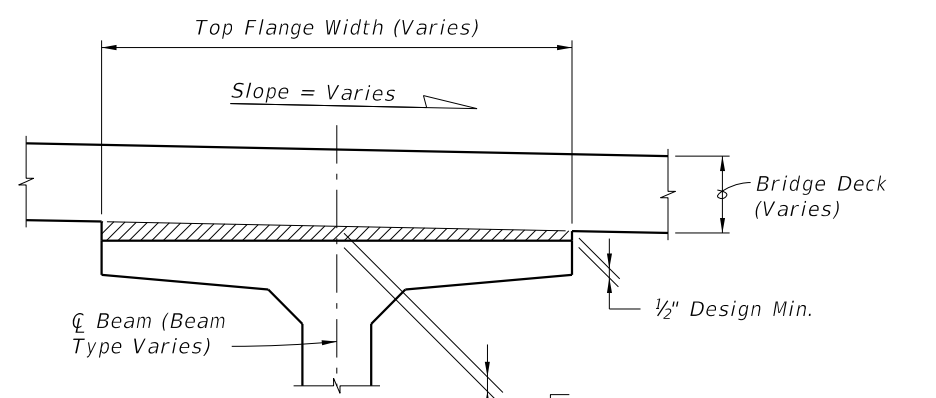
**BEAM CAMBER AND BUILD-UP NOTES:**

The build-up values given in the Data Table\* are based on theoretical beam cambers. The Contractor shall monitor beam cambers for the purpose of predicting camber values at the time of the deck pour. If the predicted cambers based on field measurements differ more than  $\pm 1/2$ " from the theoretical "Net Beam Camber @ 120 Days" shown in the Data Table\*, obtain approval from the Engineer to modify the build-up dimensions as required. When the measured beam cambers create a conflict with the bottom mat of deck steel, notify the Engineer a minimum of 21 days prior to casting.

Dim. "A" includes the weight of the Stay-In-Place Formwork.



**DEAD LOAD DEFLECTION DIAGRAM**



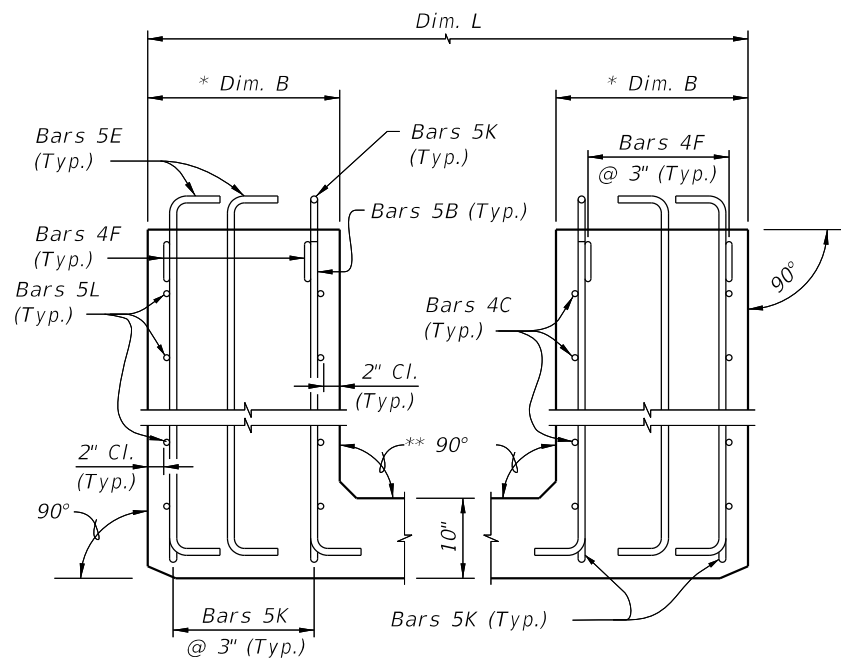
**SECTION A-A  
BUILD-UP OVER BEAMS  
(Florida-I Beam Shown  
AASHTO Type II Similar)**

For Cases 1, 2 & 3 = DIM "C"  
For Case 4 = DIM "B" or DIM "D"

\* NOTE:  
Work this Index with the Build-up and Deflection Data Table for Florida-I and AASHTO Type II Beams in Structures Plans.

6/24/2015 7:11:11 AM

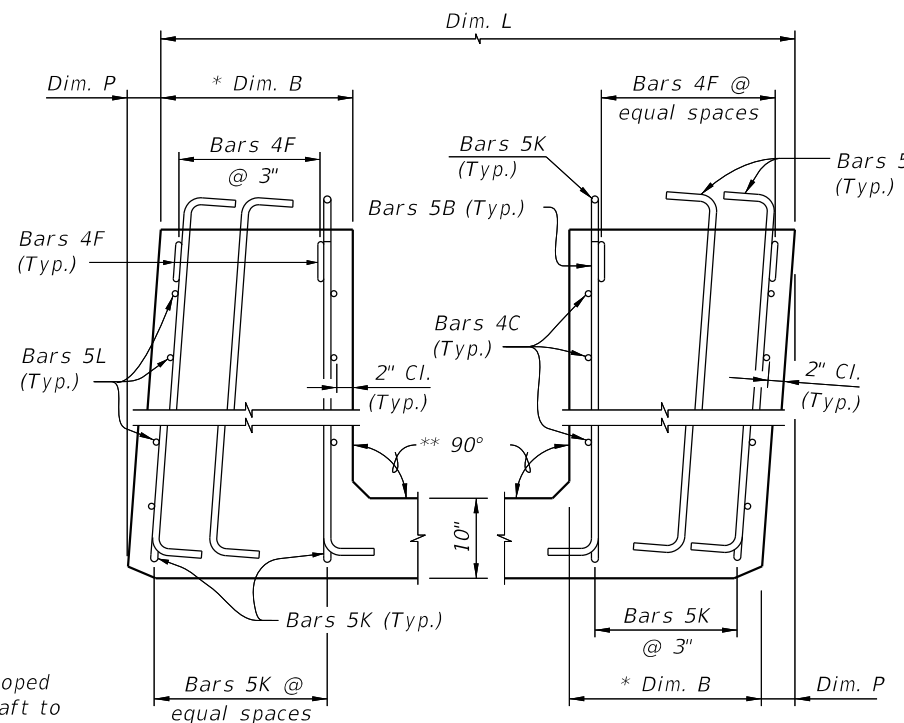
LAST REVISION 07/01/15	REVISION	DESCRIPTION:	 <b>2016 DESIGN STANDARDS</b>	<b>BUILD-UP &amp; DEFLECTION DATA FOR PRESTRESSED I-BEAMS</b>	INDEX NO. <b>20199</b>	SHEET NO. <b>1 of 1</b>
---------------------------	----------	--------------	--------------------------------------	---	---------------------------	----------------------------



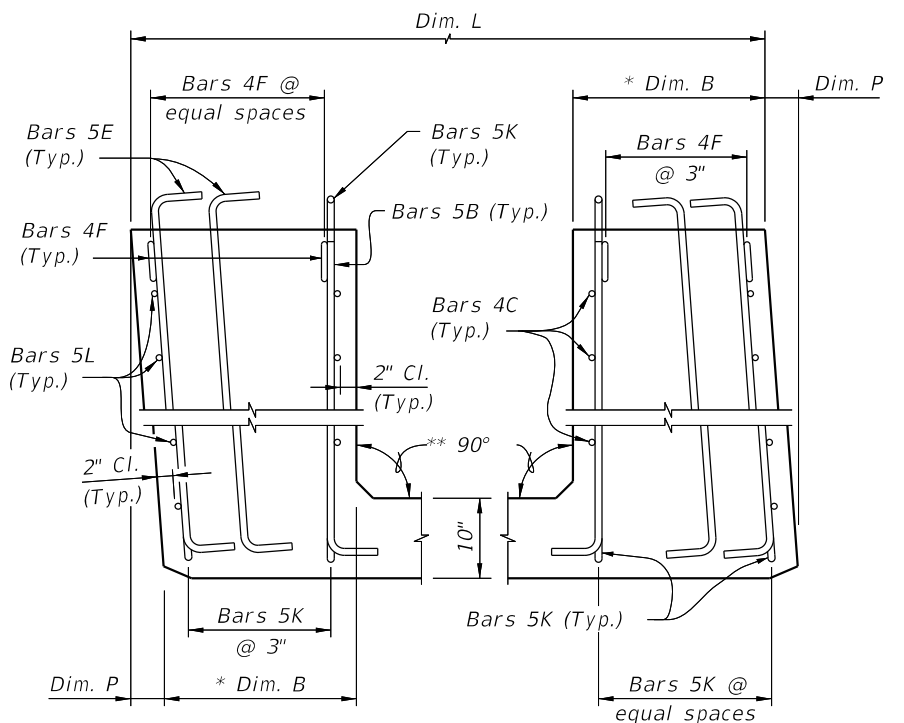
\* Dim. B is 1'-6" for Florida-U 48 and 54 Beams and 2'-0" for Florida-U 63 and 72 Beams.

**CONDITION 1**  
(P = 0.0)

\*\* Concrete face may be sloped with a maximum 1:24 draft to facilitate formwork removal.

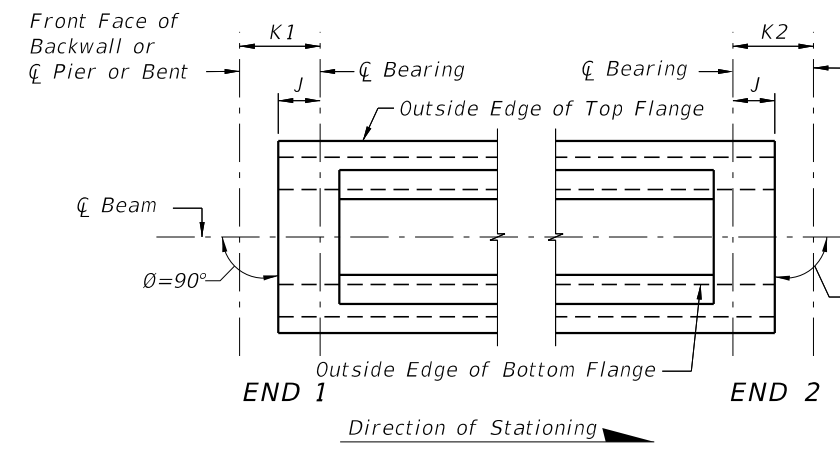


**CONDITION 2**

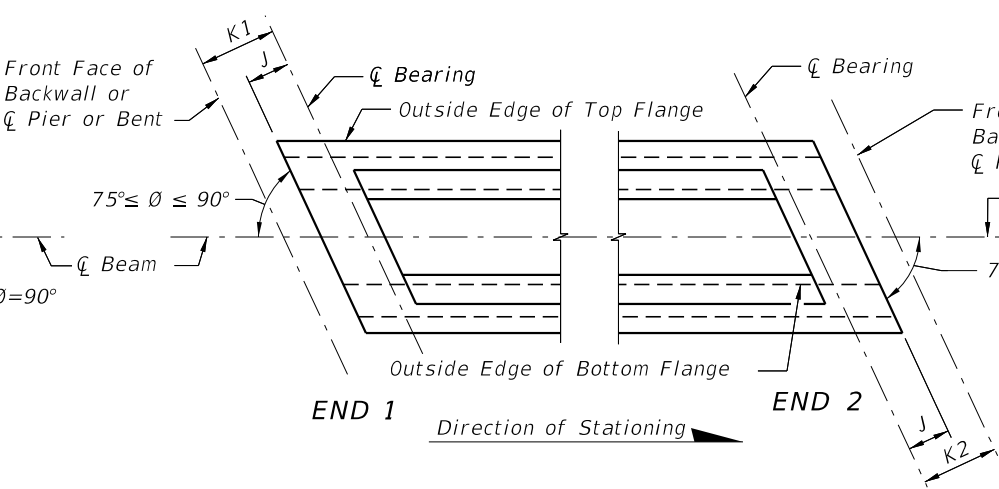


**CONDITION 3**

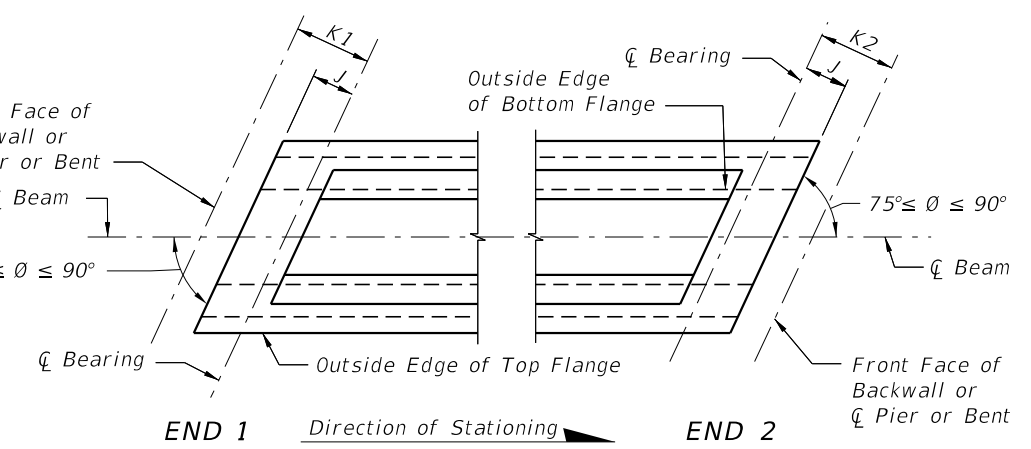
**SCHEMATIC END ELEVATIONS OF BEAMS**  
(Showing Vertical Bevel of Beam End)



**CASE 1**



**CASE 2**



**CASE 3**

**SCHEMATIC PLAN VIEWS AT BEAM ENDS**

NOTE:  
Work this Index with Florida-U Beam - Table of Beam Variables in Structures Plans.

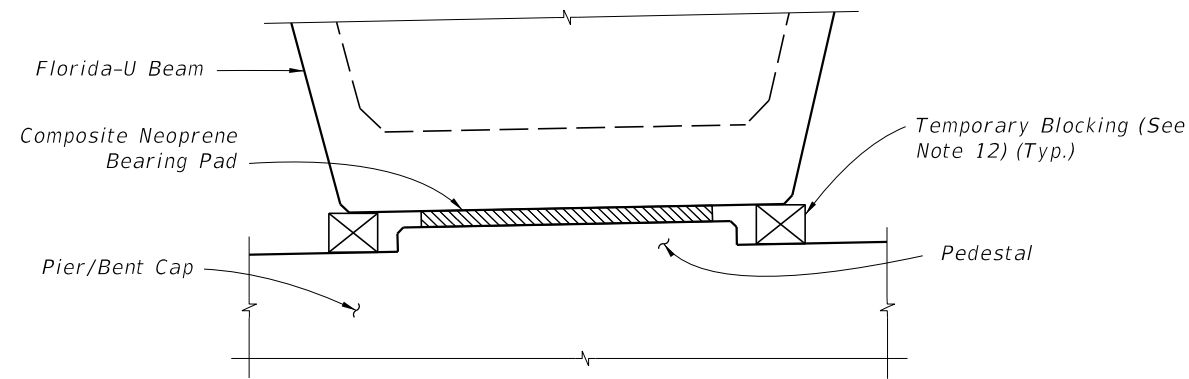
6/24/2015 7:11:30 AM

LAST REVISION 01/01/12	DESCRIPTION:
---------------------------	--------------

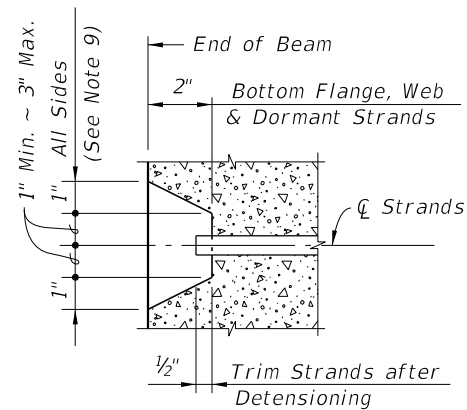


**TYPICAL FLORIDA-U BEAM DETAILS AND NOTES**

INDEX NO. 20210	SHEET NO. 1 of 2
--------------------	---------------------



TEMPORARY BLOCKING OF BEAM ENDS



TYPICAL STRAND BLOCKOUT DETAIL


**BEAM NOTES**

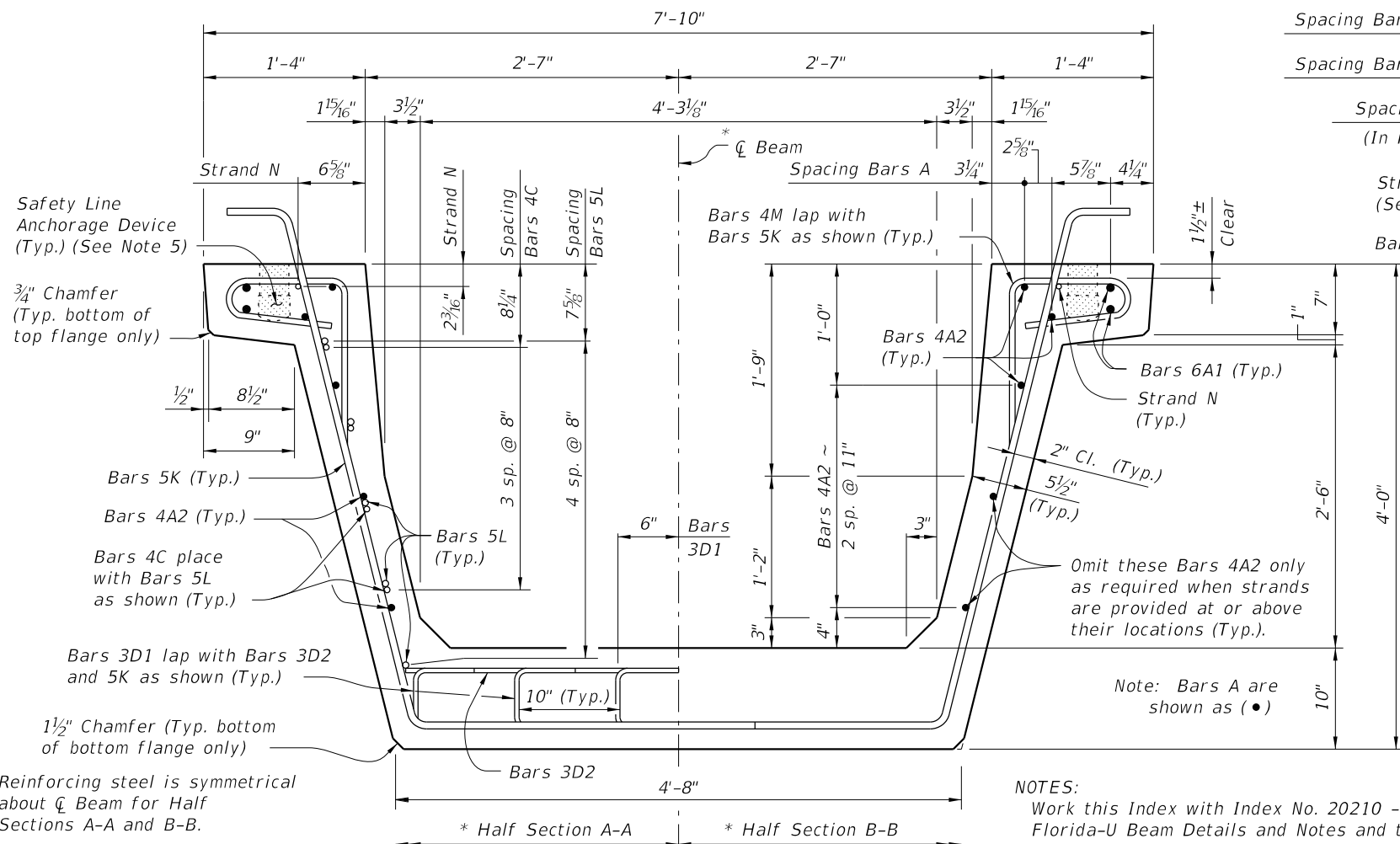
1. All bar dimensions are out-to-out.
2. Strands N (Dormant Strands) shall be ASTM A416, Grade 270, seven-wire strands  $\frac{3}{8}$ "  $\emptyset$  or larger, stressed to 10,000 lbs. each.
3. Unless otherwise noted in Structures Plans, the minimum concrete cover for reinforcing steel shall be 2".
4. At the option of the Contractor and with the Engineer's Approval, deformed welded wire reinforcement (WWR) may be used in lieu of Bars 6A1, 4A2, 5B, 4C, 3D, 5E, 4F, 4G, 4H, 5K, 5L and 4M except as noted below in note 7, provided the wire sizes and spacing match those shown on the Standard Beam Detail sheets for these bars. WWR must consist of Deformed wire meeting the requirements of Specification Section 931.
5. Safety Line Anchorage Devices or sleeves are required and permitted in the top flanges only to accommodate fall protection systems used during construction. See shop drawings for details and spacing of any required embedments.
6. For Beams with vertically beveled end conditions when "Dim. P" exceeds 1", Bars 5E and the first Bars 4F and 5K shall be placed parallel to the end of the beam. The remaining Bars 4F and 5K within the limits of "Dim. B" shall be fanned at equal spaces.
7. Welded deformed wire reinforcement shall not be used for the end reinforcement (Bars 5B, 4C, 3D, 5E, 4F, 5K, and 5L) for beams with skewed end conditions or vertically beveled end conditions when "Dim. P" exceeds 1".
8. Bars 5K shall be placed and tied to the fully bonded strands in the bottom row (see "STRAND PATTERN" in Structures Plans).
9. Strand Protection at beam ends shall consist of a 2" deep recess formed around all strands (including dormant) or strand groups. Extend recess to face of web and bottom of flange for bottom row of strands. After detensioning, cut strands  $\frac{1}{2}$ " from recessed surface and fill the recess with a Type F-2 or Q Epoxy Compound in accordance with Section 926 of the Specifications.
10. Use Size No. 67 maximum sized aggregate.
11. Use Stay-in-Place metal deck forms inside the beams.
12. Prior to deck placement, based on the deck forming system and deck placement sequence, evaluate and provide, if necessary, temporary bracing between the U Beams. Also, prior to deck placement, provide temporary blocking under each web at both ends of every beam. Ensure the temporary blocking is adequate to resist movements and rotations that occur during placement of the deck. Leave temporary blocking and bracing in place for a minimum of four days after the deck placement.
13. For referenced Dimensions, Angles and Case Numbers see Table of Beam Variables in Structures Plans.

**NOTE:**

Work this Index with Florida-U Beam - Table of Beam Variables in Structures Plans.

6/24/2015 7:11:31 AM

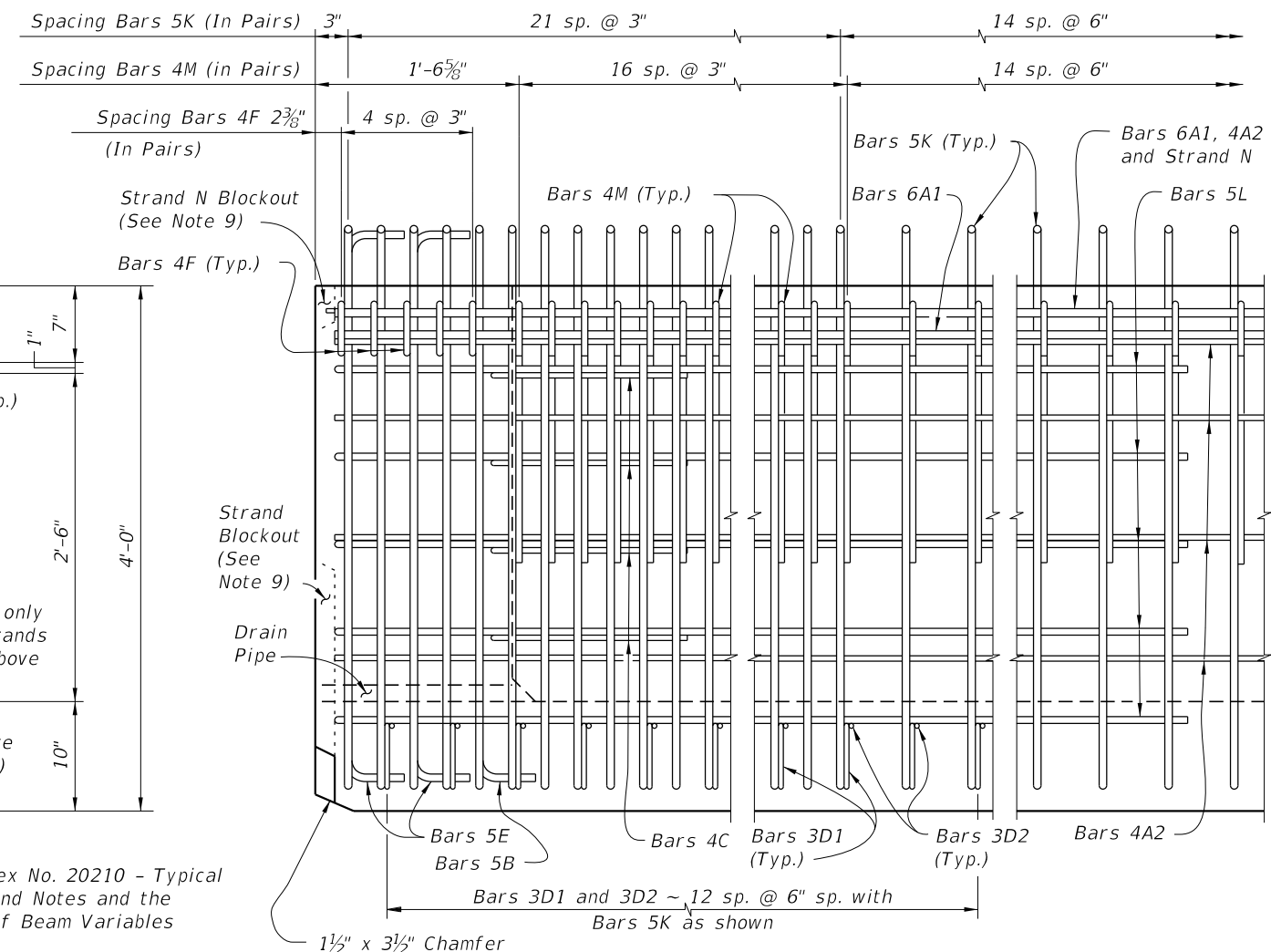
LAST REVISION 07/01/13	REVISION	DESCRIPTION:	 <b>2016</b> DESIGN STANDARDS	<b>TYPICAL FLORIDA-U BEAM DETAILS AND NOTES</b>	INDEX NO. <b>20210</b>	SHEET NO. <b>2 of 2</b>
---------------------------	----------	--------------	--	---	---------------------------	----------------------------



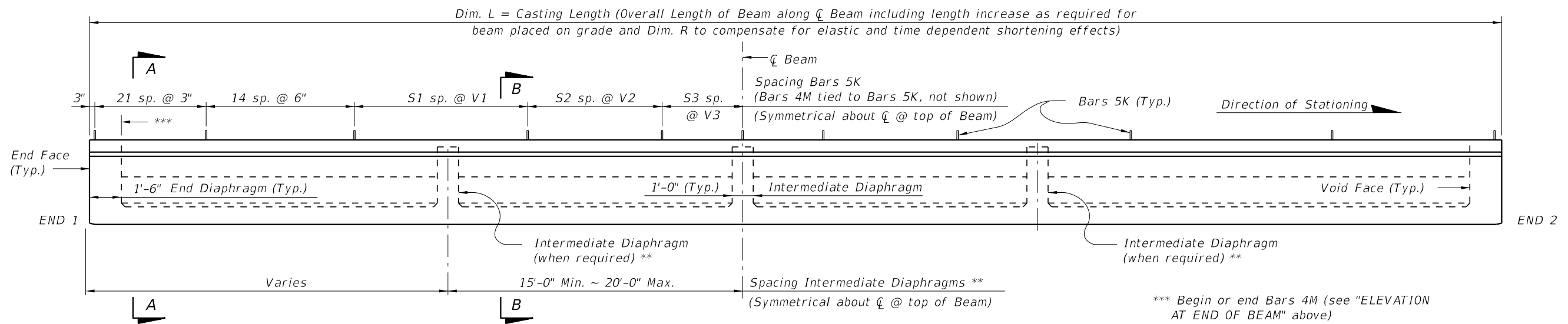
TYPICAL SECTION

\* Reinforcing steel is symmetrical about  $\bar{C}$  Beam for Half Sections A-A and B-B.  
 \*\* Intermediate Diaphragms shall be provided:  
 (1) - At midspan.  
 (2) - At 20'-0" Max. from midspan when beam length (L) exceeds 60 Ft.

NOTES:  
 Work this Index with Index No. 20210 - Typical Florida-U Beam Details and Notes and the Florida-U Beam - Table of Beam Variables in Structures Plans.  
 For referenced notes see Index No. 20210.



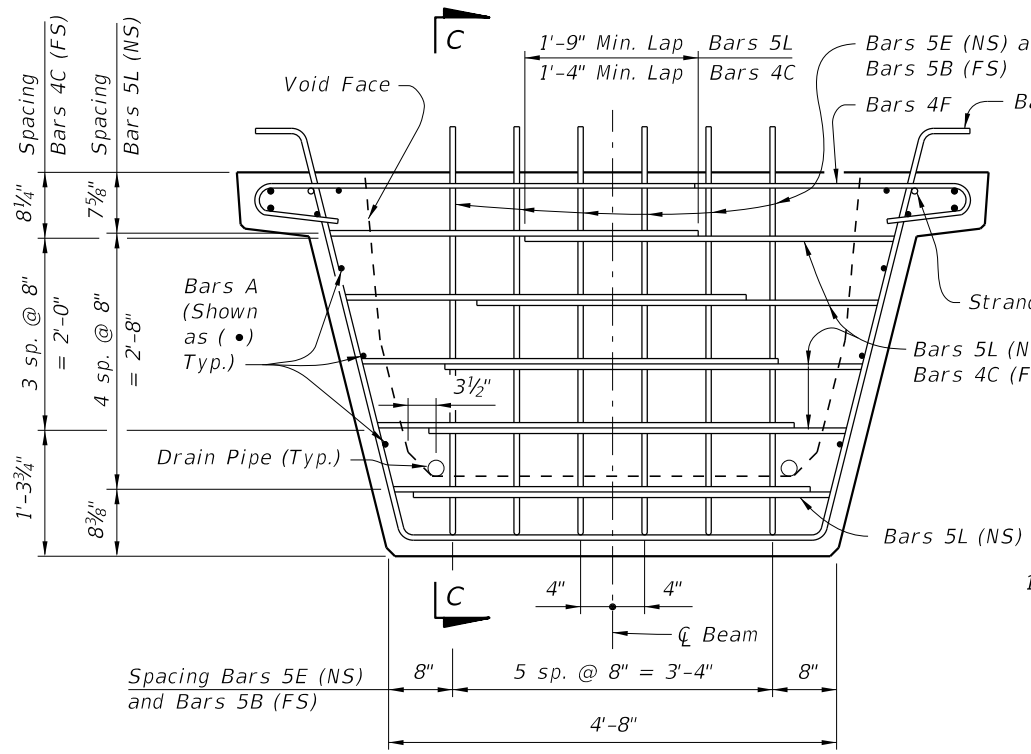
ELEVATION AT END OF BEAM



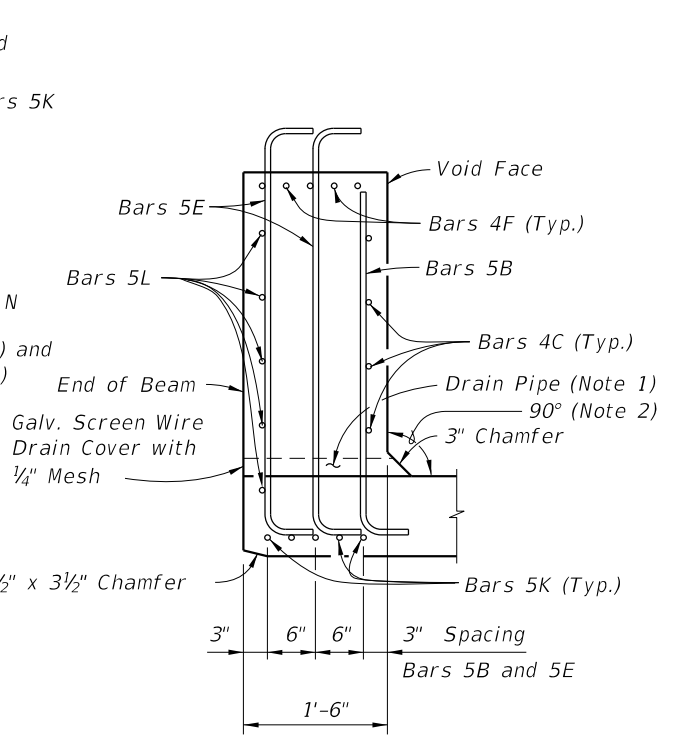
ELEVATION

6/24/2015 7:11:53 AM

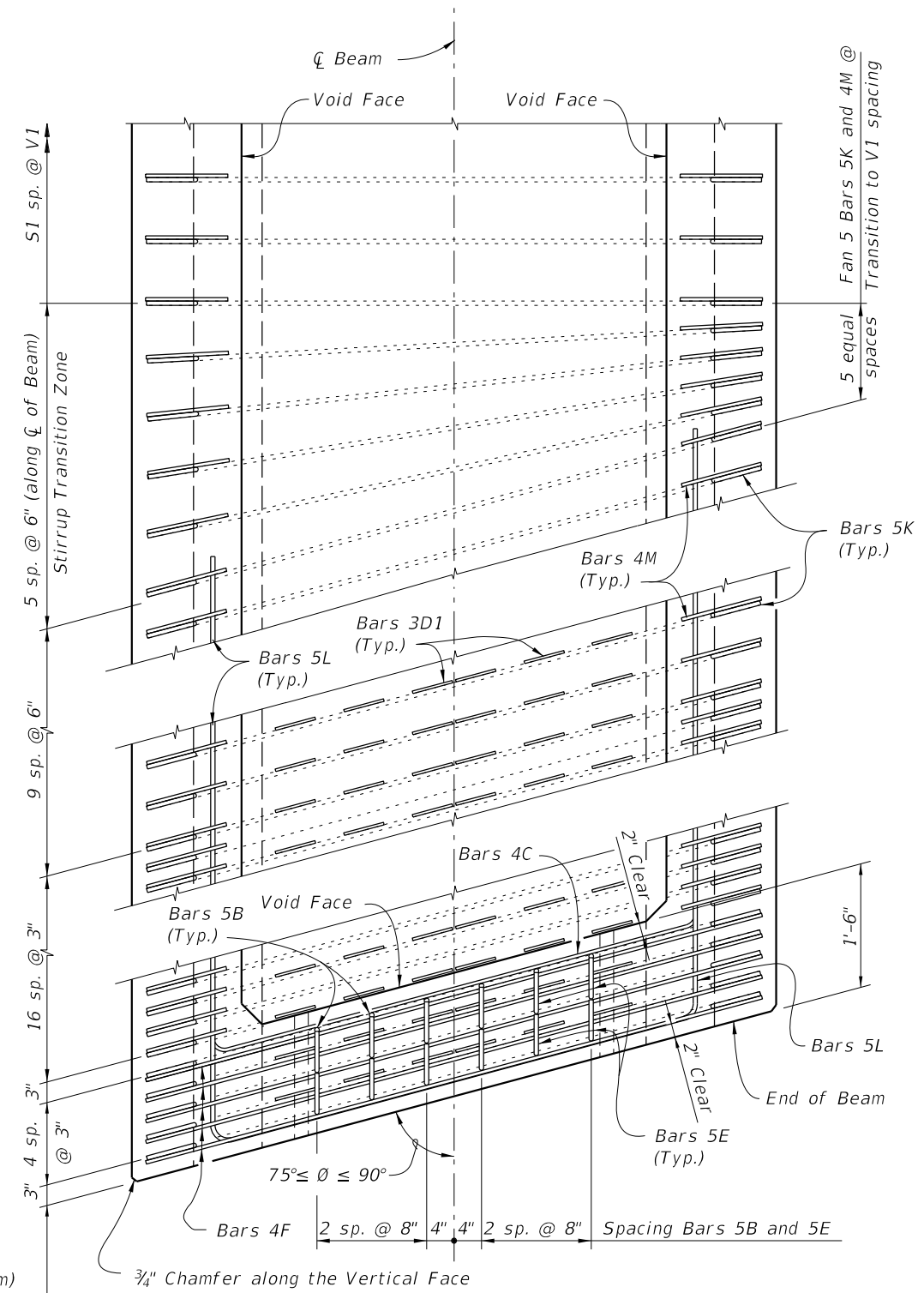
LAST REVISION 07/01/12	REVISION	DESCRIPTION:	 <b>2016</b> DESIGN STANDARDS	<b>FLORIDA-U 48 BEAM - STANDARD DETAILS</b>	INDEX NO. <b>20248</b>	SHEET NO. <b>1 of 3</b>
---------------------------	----------	--------------	-------------------------------------	---	---------------------------	----------------------------



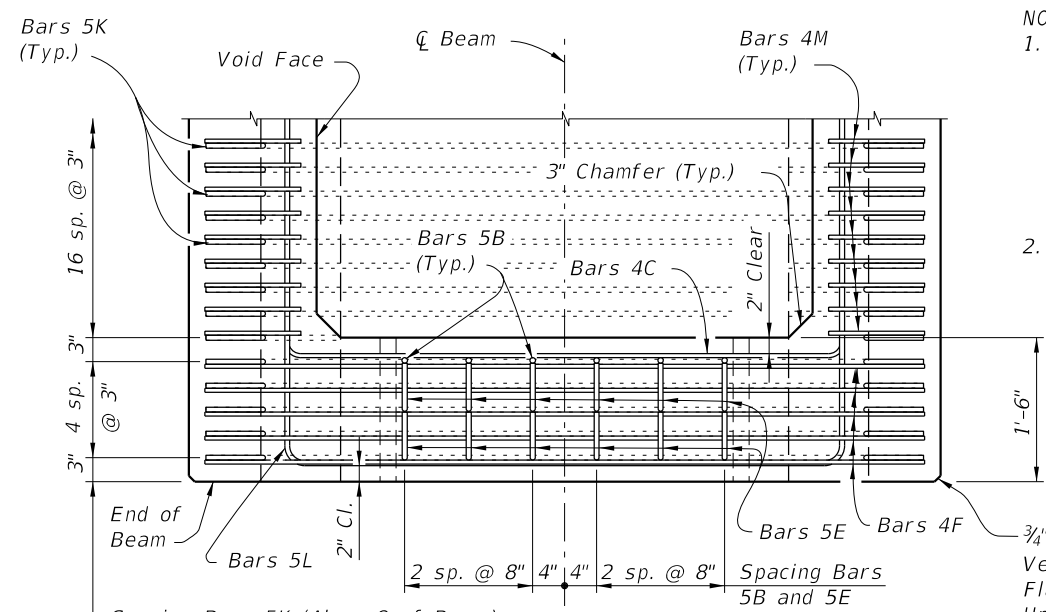
END VIEW AT END DIAPHRAGM



SECTION C-C



TOP VIEW OF SKEWED END DIAPHRAGM AND STIRRUP TRANSITION ZONE (Bars 3D2 Not Shown For Clarity)



TOP VIEW OF END DIAPHRAGM (Bars 3D1 And 3D2 Not Shown For Clarity)

NOTES:

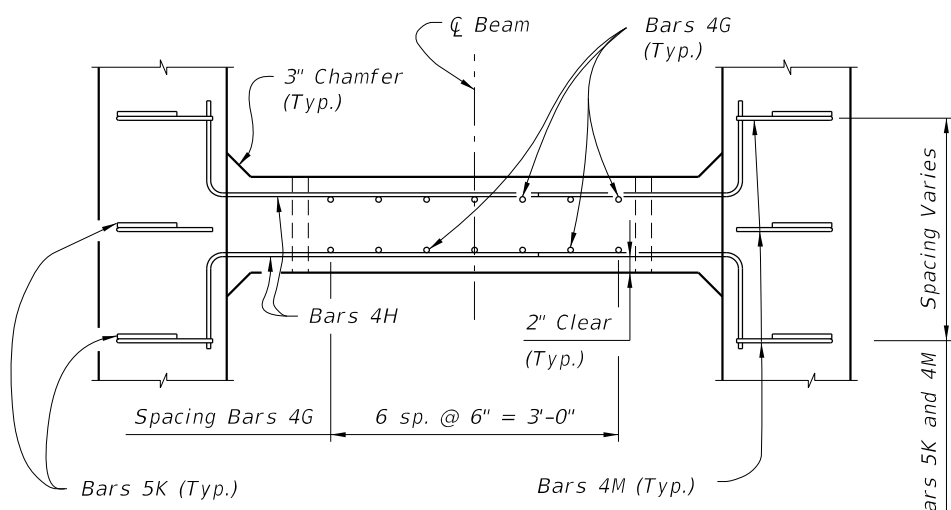
1. Drains shall be placed adjacent to each web at each beam end (four drains per beam). Drain Pipe shall be 2" Nominal Pipe Size, Schedule 80 PVC. Provide removable pipe plugs to prevent concrete entrance during beam casting. Plugs to be removed from the inside after casting. Galvanized screen wire shall cover the end of the pipe and bent down around the sides of the pipe, a minimum of 1" and secured prior to casting.
2. Concrete face may be sloped with a maximum 1:24 draft to facilitate formwork removal.

Spacing Bars 5K (Along  $\bar{C}$  of Beam)  
(Bars 4F and 4M are Paired with Bars 5K as shown)

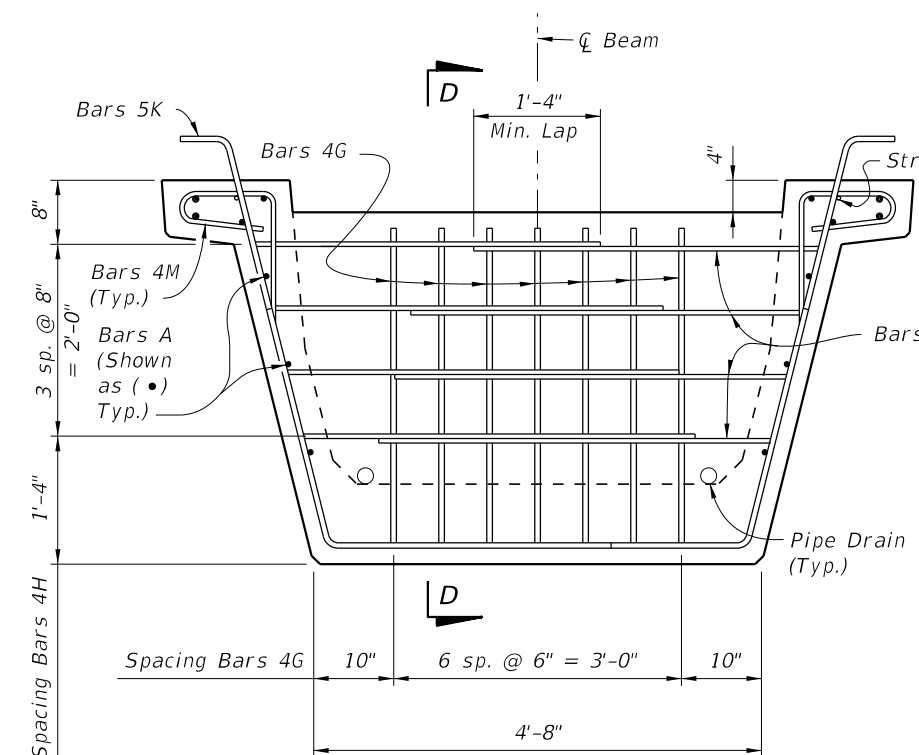
$\frac{3}{4}$ " Chamfer along the Vertical Face of the Top Flange and Web and Underside of the Top Flange (Typ.)

6/24/2015 7:11:54 AM

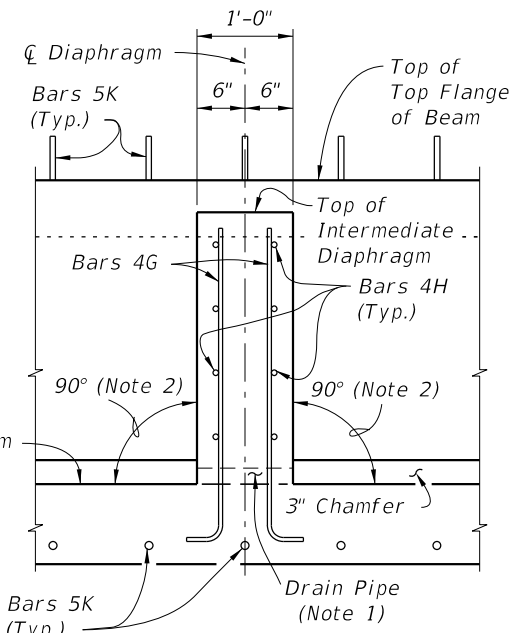
LAST REVISION 07/01/05	DESCRIPTION:	 <b>2016</b> DESIGN STANDARDS	<b>FLORIDA-U 48 BEAM - STANDARD DETAILS</b>	INDEX NO. <b>20248</b>	SHEET NO. <b>2 of 3</b>
---------------------------	--------------	-------------------------------------	---	---------------------------	----------------------------



TOP VIEW OF INTERMEDIATE DIAPHRAGM



SECTION AT INTERMEDIATE DIAPHRAGM

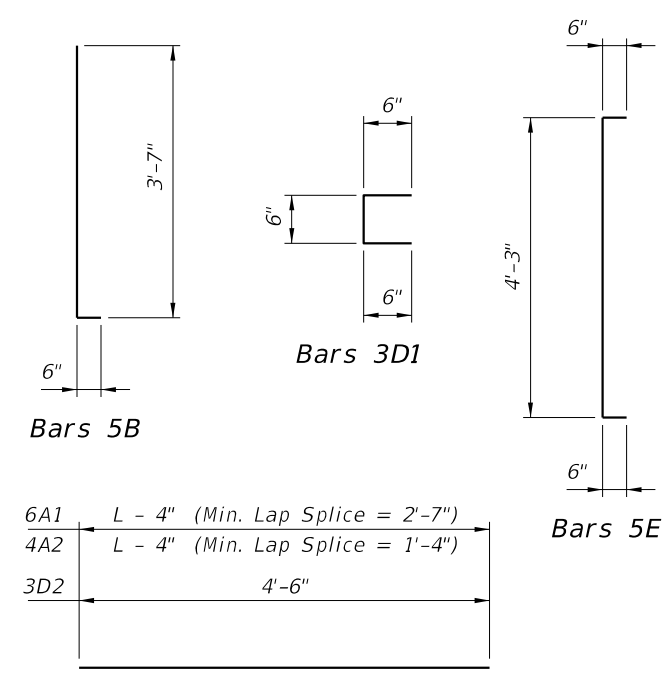


SECTION D-D

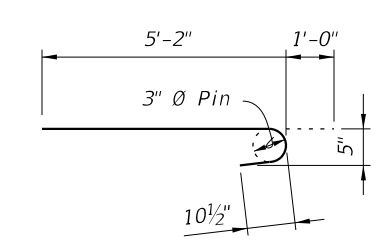
- NOTES:
1. Drains shall be placed adjacent to each web at each intermediate diaphragm (two drains per intermediate diaphragm). Drain Pipe shall be 2" Nominal Pipe Size, Schedule 80 PVC. Provide removable pipe plugs to prevent concrete entrance during beam casting. Plugs to be removed from the inside after casting.
  2. Concrete face may be sloped with a maximum 1:24 draft to facilitate formwork removal.
  3. Intermediate diaphragms must be cast and concrete release strength obtained prior to removing beam from casting bed.

CONVENTIONAL REINFORCING STEEL BENDING DIAGRAMS

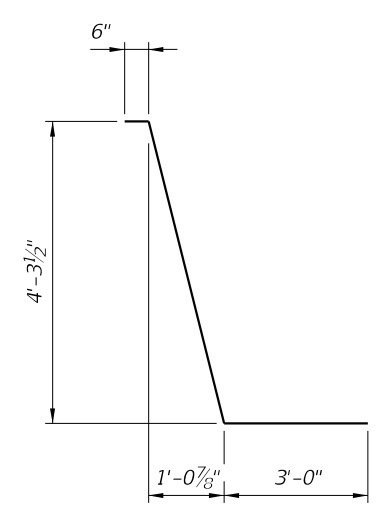
BILL OF REINFORCING STEEL FOR ONE BEAM ONLY			
MARK	SIZE	NO. REQD.	LENGTH
A1	6	4	Dim. L - 4"
A2	4	10	Dim. L - 4"
B	5	12	4'-1"
C	4	16	5'-1"
D1	3	156	1'-6"
D2	3	26	4'-6"
E	5	24	5'-3"
F	4	20	6'-2"
G	4	See Table	4'-0"
H	4	See Table	4'-7"
K	5	See Table	8'-0"
L	5	20	14'-0"
M	4	See Table	3'-11"
N	3/8" Ø Strand	2	Dim. L - 3"



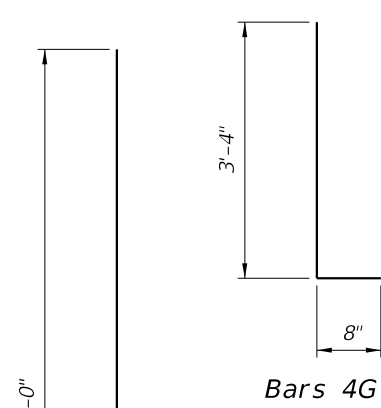
Bars 6A1, 4A2 and 3D2



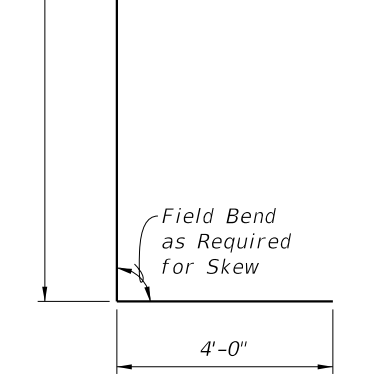
Bars 4F



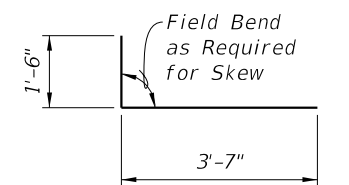
Bars 5K



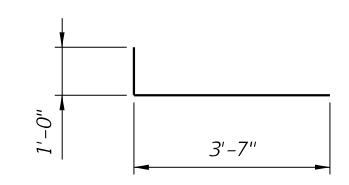
Bars 4G



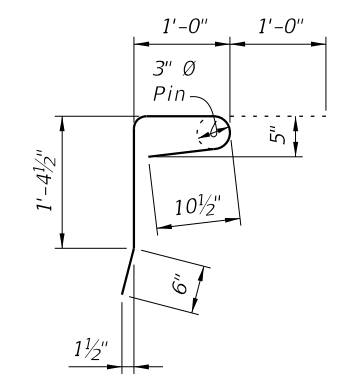
Bars 5L



Bars 4C



Bars 4H



Bars 4M

6/24/2015 7:11:54 AM

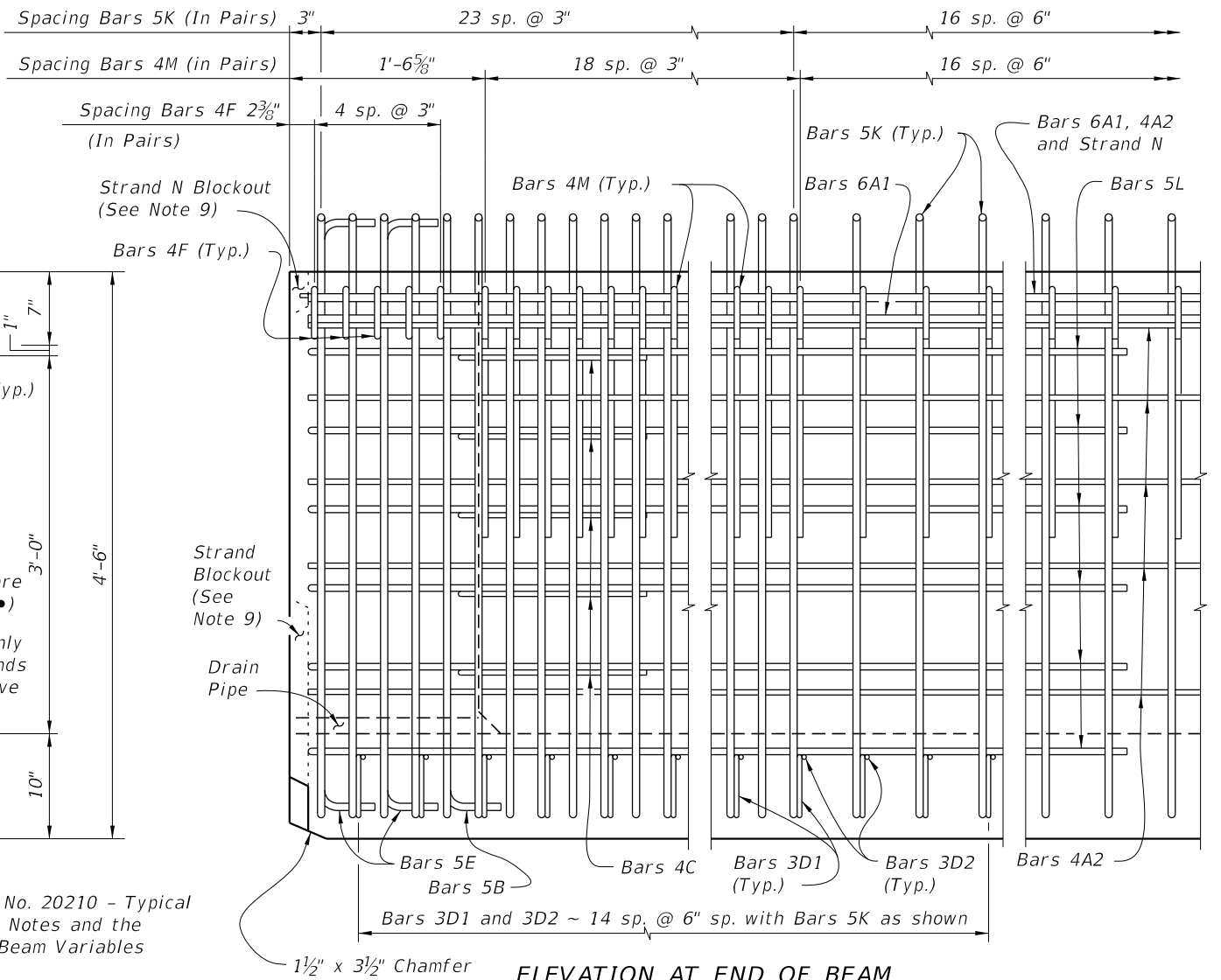
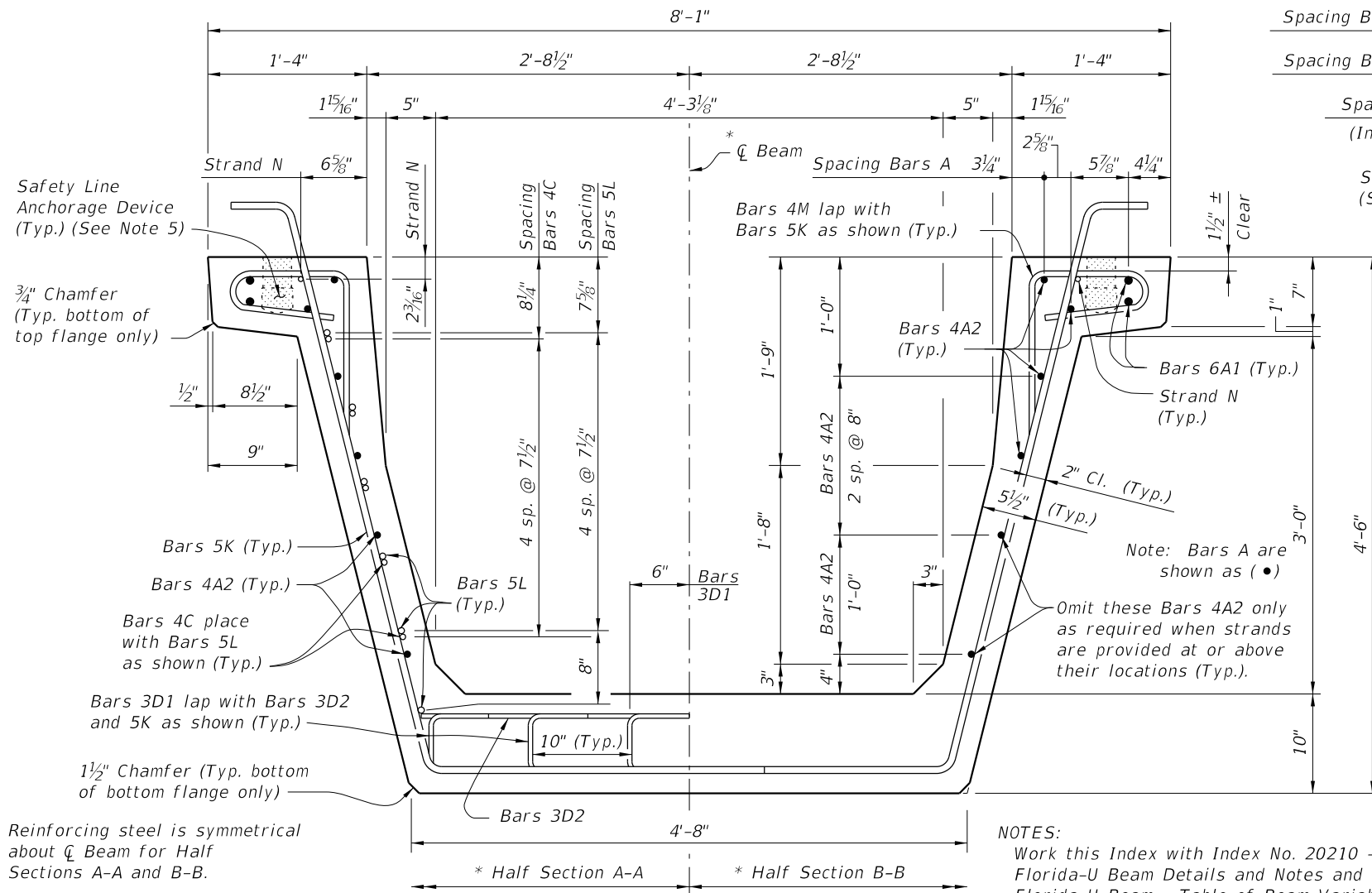
LAST REVISION 01/01/11	DESCRIPTION:
---------------------------	--------------



FLORIDA-U 48 BEAM - STANDARD DETAILS

INDEX NO. 20248	SHEET NO. 3 of 3
--------------------	---------------------

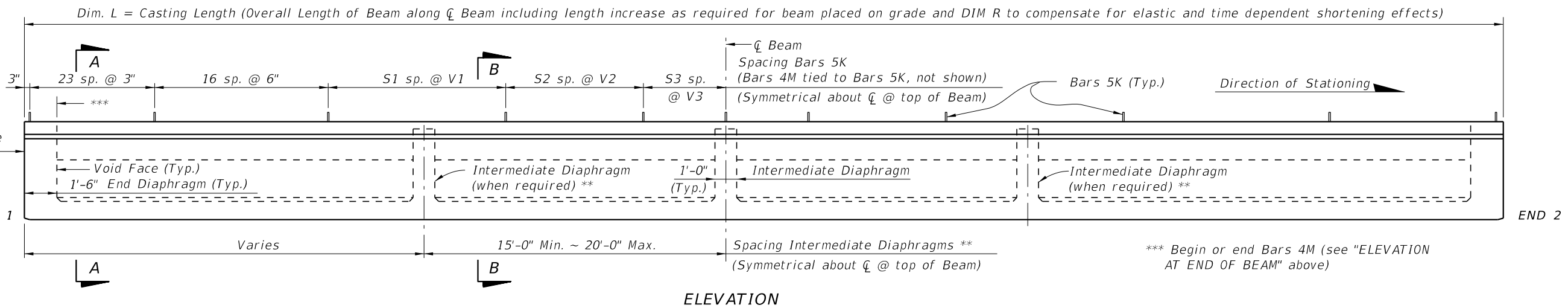




\* Reinforcing steel is symmetrical about  $\bar{C}$  Beam for Half Sections A-A and B-B.

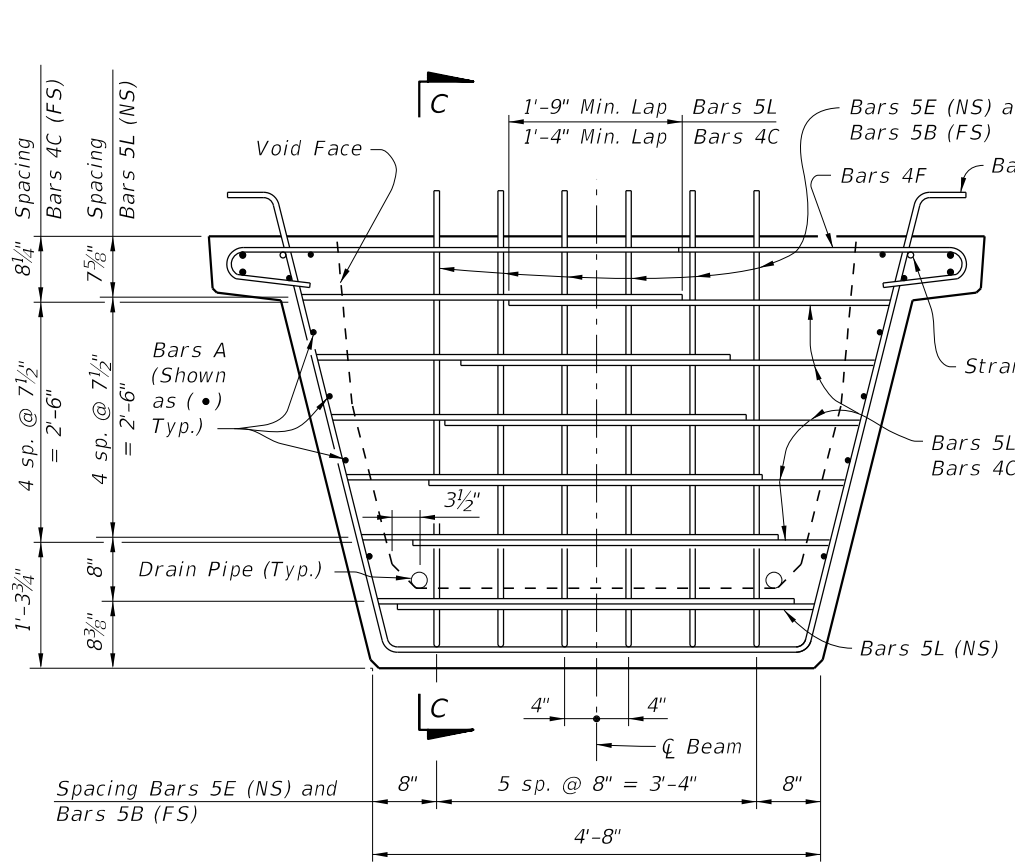
\*\* Intermediate Diaphragms shall be provided:  
 (1) - At midspan.  
 (2) - At 20'-0" Max. from midspan when beam length (L) exceeds 60 Ft.

NOTES:  
 Work this Index with Index No. 20210 - Typical Florida-U Beam Details and Notes and the Florida-U Beam - Table of Beam Variables in Structures Plans.  
 For referenced notes see Index No. 20210.

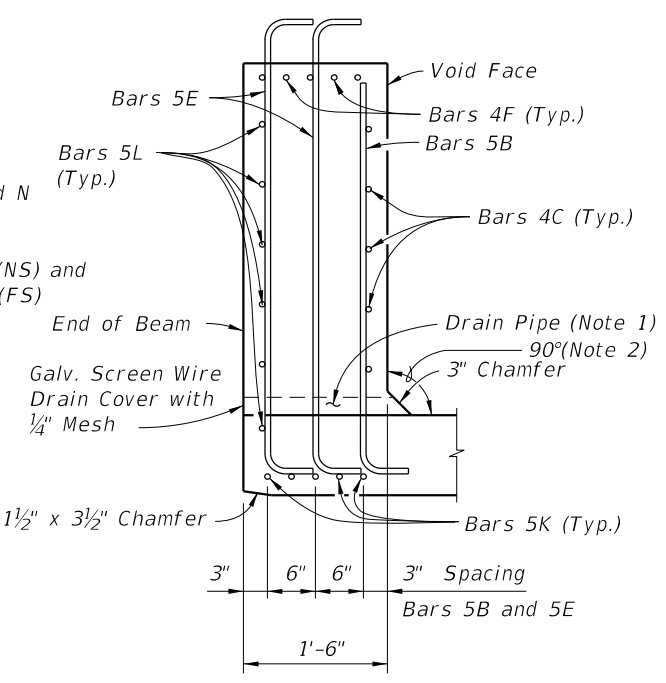


6/24/2015 7:12:17 AM

LAST REVISION 07/01/12	DESCRIPTION:	 <b>2016</b> <b>DESIGN STANDARDS</b>	<b>FLORIDA-U 54 BEAM - STANDARD DETAILS</b>	INDEX NO. <b>20254</b>	SHEET NO. <b>1 of 3</b>
---------------------------	--------------	--	---	---------------------------	----------------------------

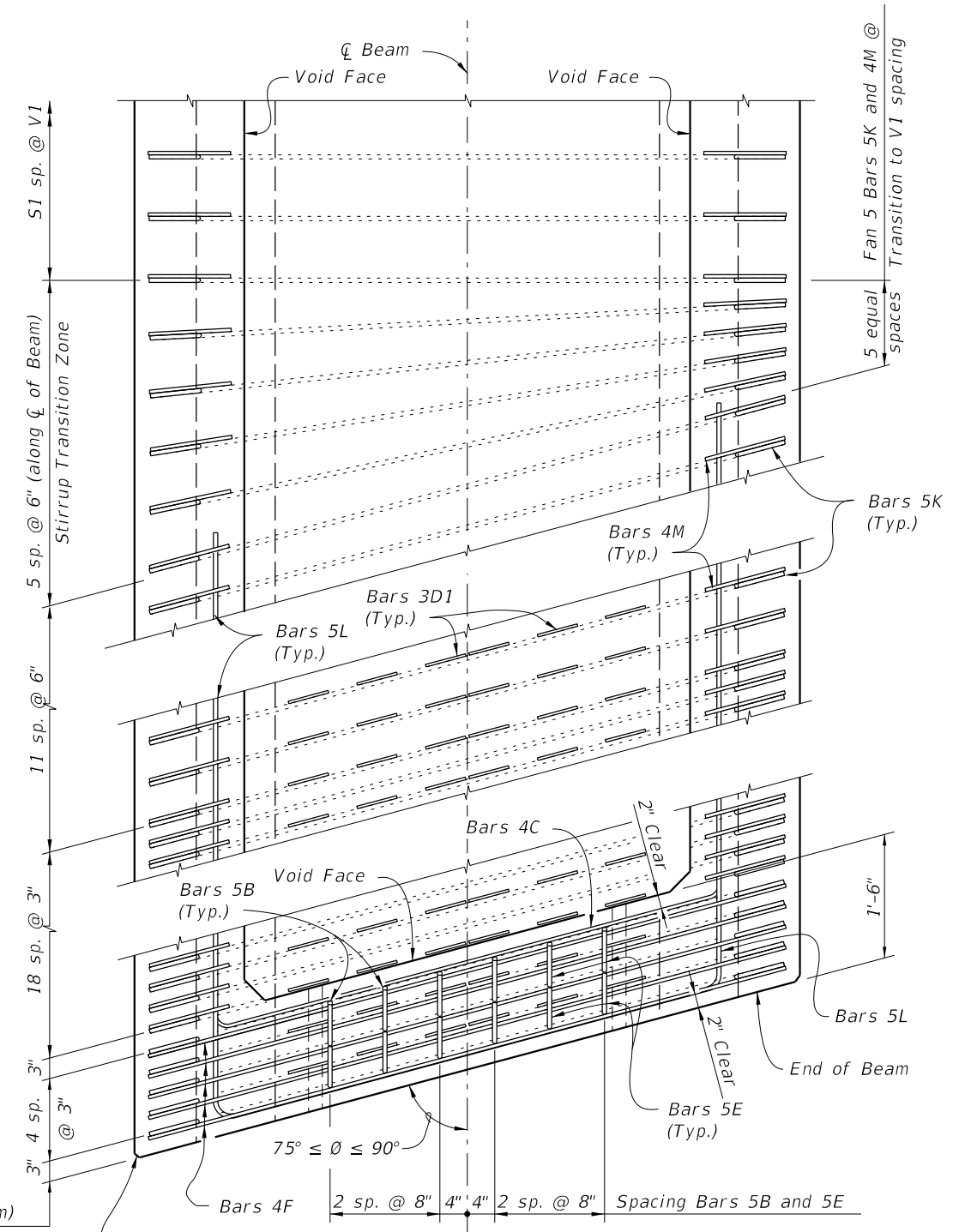


END VIEW AT END DIAPHRAGM

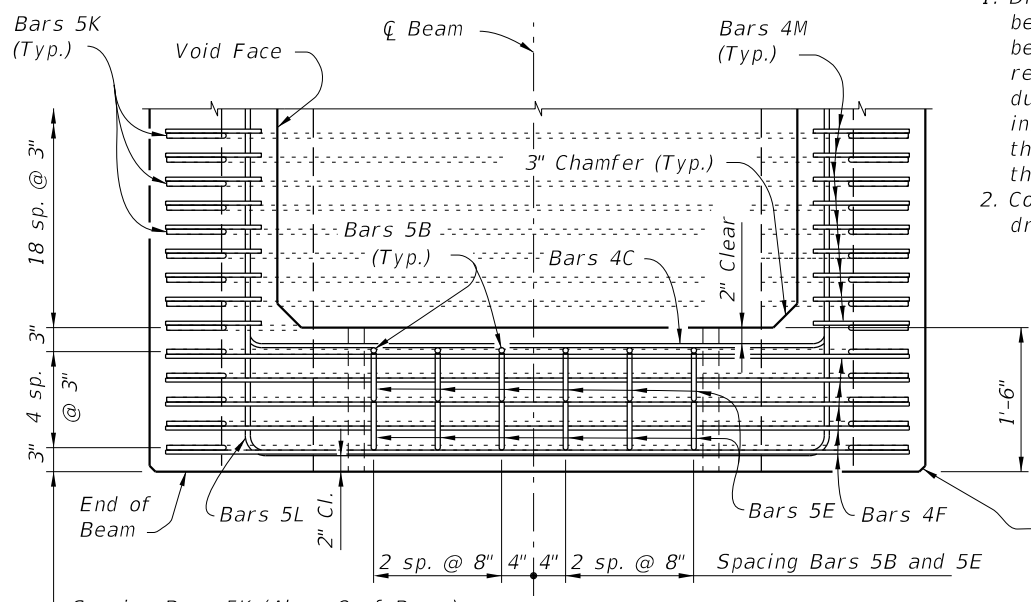


SECTION C-C

- NOTES:
1. Drains shall be placed adjacent to each web at each beam end (four drains per beam). Drain Pipe shall be 2" Nominal Pipe Size, Schedule 80 PVC. Provide removable pipe plugs to prevent concrete entrance during beam casting. Plugs to be removed from the inside after casting. Galvanized screen wire shall cover the end of the pipe and bent down around the sides of the pipe, a minimum of 1" and secured prior to casting.
  2. Concrete face may be sloped with a maximum 1:24 draft to facilitate formwork removal.



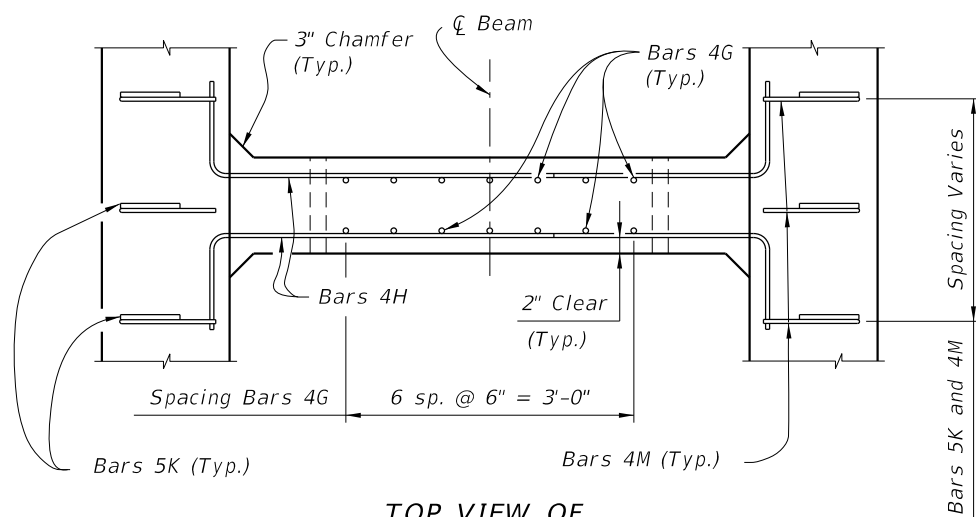
TOP VIEW OF SKEWED END DIAPHRAGM AND STIRRUP TRANSITION ZONE (Bars 3D2 Not Shown For Clarity)



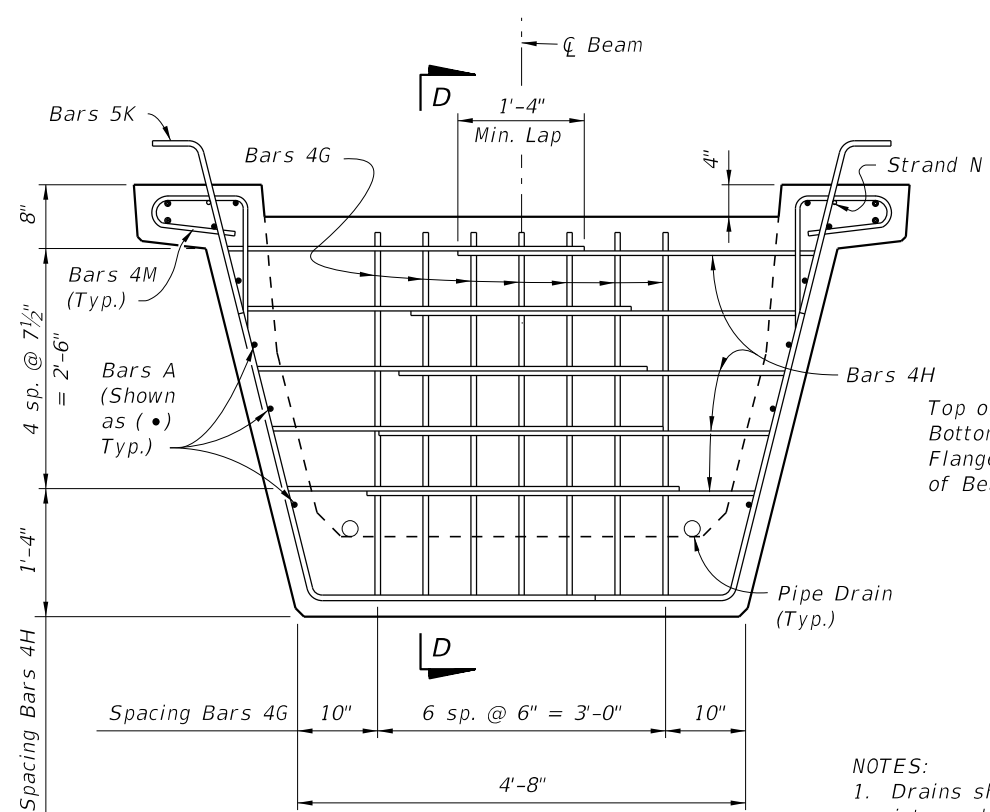
TOP VIEW OF END DIAPHRAGM (Bars 3D1 And 3D2 Not Shown For Clarity)

6/24/2015 7:12:17 AM

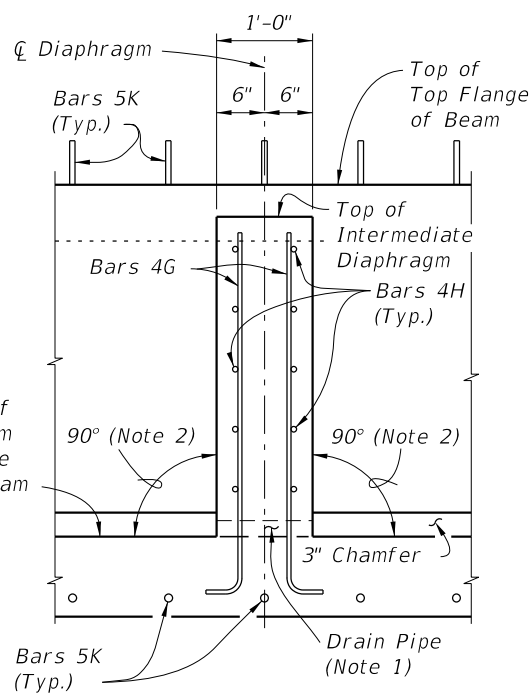
LAST REVISION 07/01/05	DESCRIPTION:	 <b>2016</b> DESIGN STANDARDS	<b>FLORIDA-U 54 BEAM - STANDARD DETAILS</b>	INDEX NO. <b>20254</b>	SHEET NO. <b>2 of 3</b>
---------------------------	--------------	-------------------------------------	---	---------------------------	----------------------------



TOP VIEW OF INTERMEDIATE DIAPHRAGM



SECTION AT INTERMEDIATE DIAPHRAGM



SECTION D-D

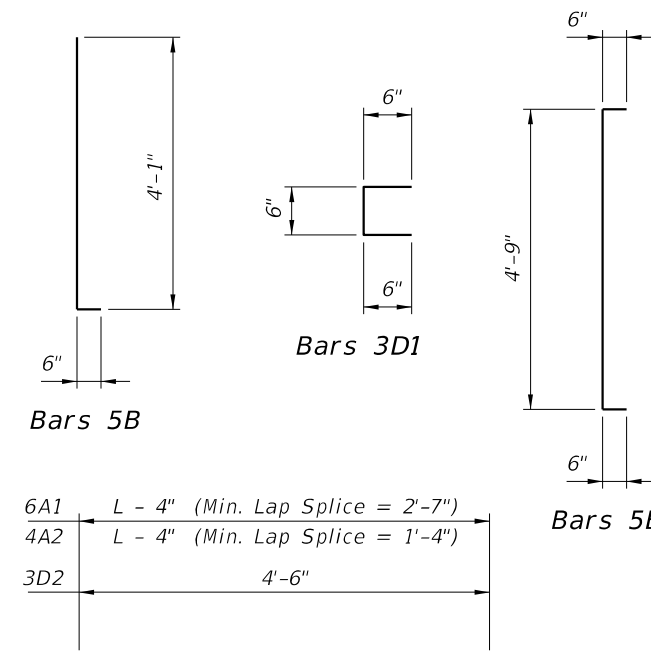
NOTES:

1. Drains shall be placed adjacent to each web at each intermediate diaphragm (two drains per intermediate diaphragm). Drain Pipe shall be 2" Nominal Pipe Size, Schedule 80 PVC. Provide removable pipe plugs to prevent concrete entrance during beam casting. Plugs to be removed from the inside after casting.
2. Concrete face may be sloped with a maximum 1:24 draft to facilitate formwork removal.
3. Intermediate diaphragms must be cast and concrete release strength obtained prior to removing beam from casting bed.

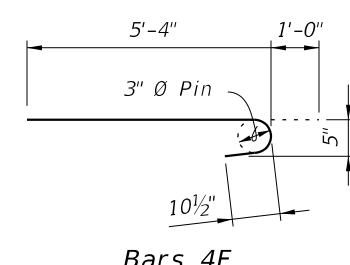
CONVENTIONAL REINFORCING STEEL BENDING DIAGRAMS

BILL OF REINFORCING STEEL FOR ONE BEAM ONLY

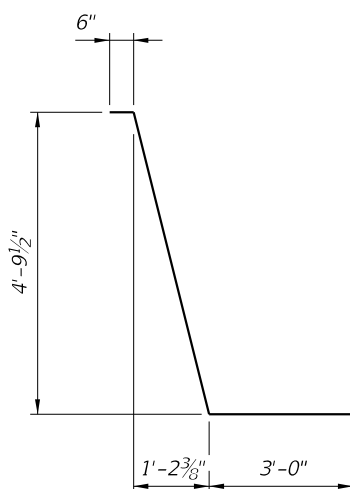
MARK	SIZE	NO. REQD.	LENGTH
A1	6	4	Dim. L - 4"
A2	4	12	Dim. L - 4"
B	5	12	4'-7"
C	4	20	5'-3"
D1	3	180	1'-6"
D2	3	30	4'-6"
E	5	24	5'-9"
F	4	20	6'-4"
G	4	See Table	4'-6"
H	4	See Table	4'-9"
K	5	See Table	8'-6"
L	5	24	16'-2"
M	4	See Table	3'-11"
N	3/8" Ø Strand	2	Dim. L - 3"



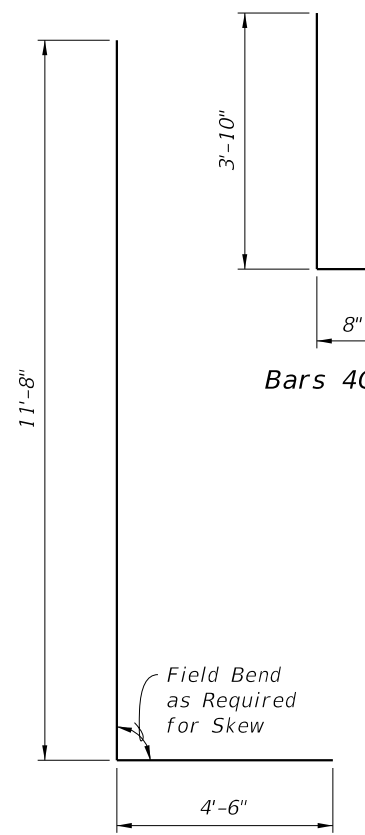
Bars 6A1, 4A2 and 3D2



Bars 4F

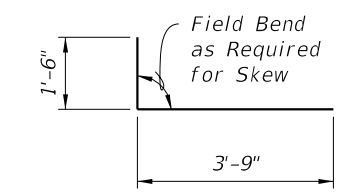


Bars 5K

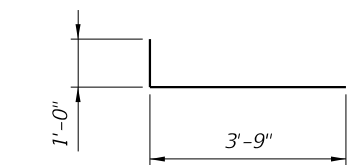


Bars 4G

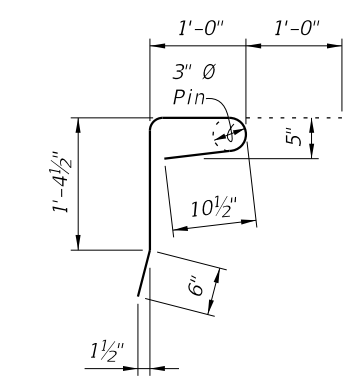
Bars 5L



Bars 4C



Bars 4H



Bars 4M

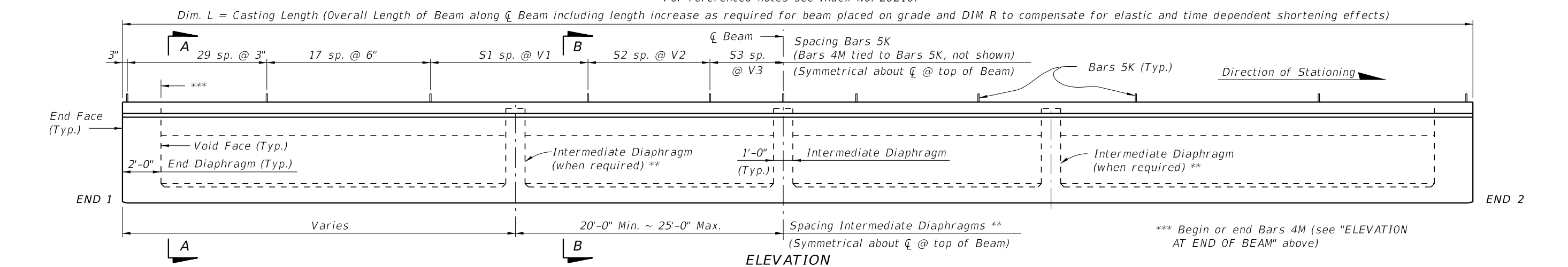
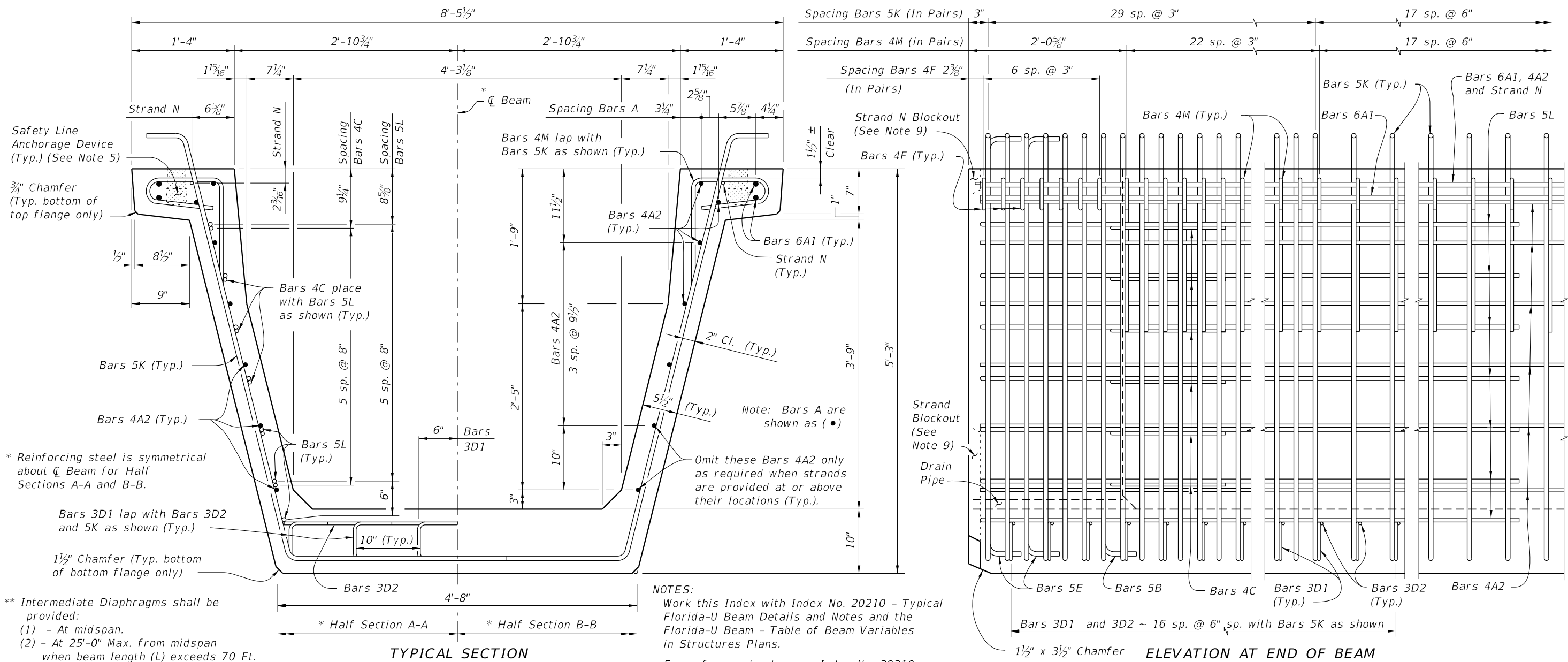
6/24/2015 7:12:18 AM

LAST REVISION 01/01/11	DESCRIPTION:
---------------------------	--------------



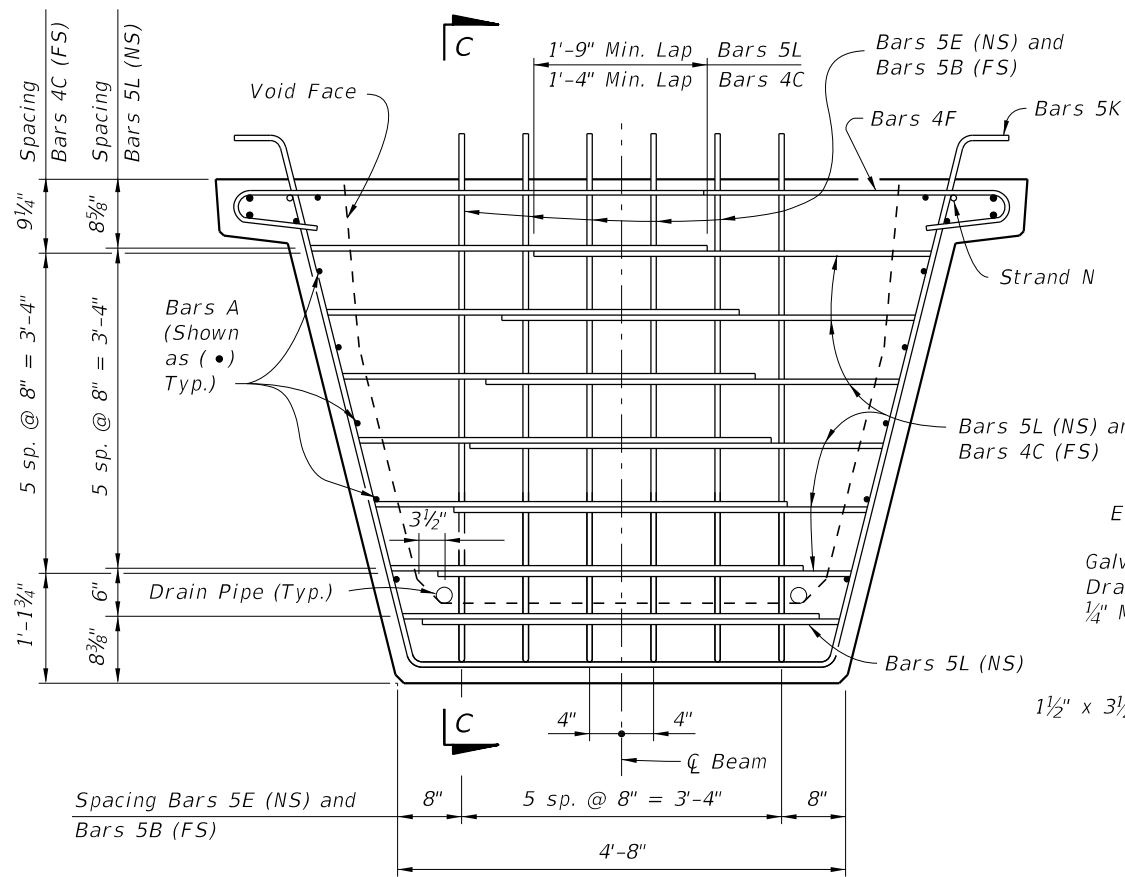
FLORIDA-U 54 BEAM - STANDARD DETAILS

INDEX NO. 20254	SHEET NO. 3 of 3
--------------------	---------------------

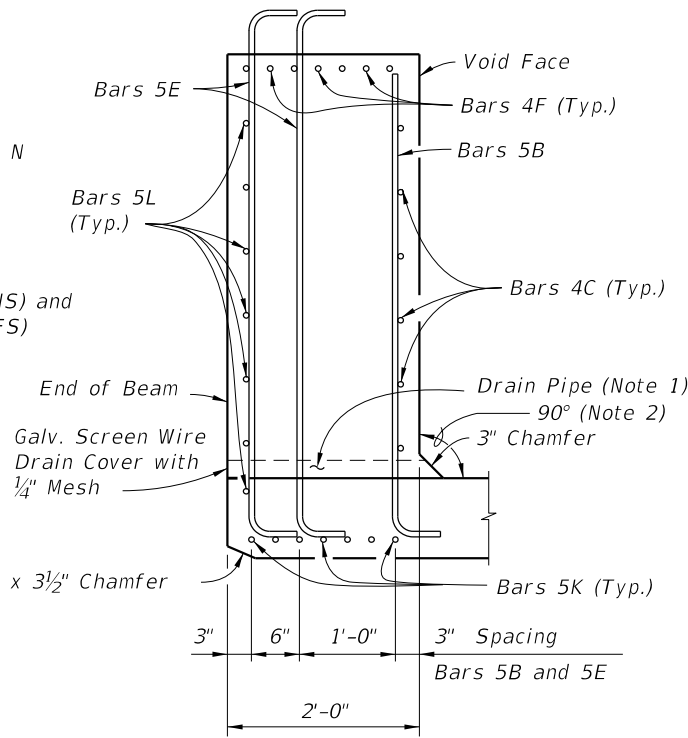


6/24/2015 7:12:42 AM

LAST REVISION 07/01/12	DESCRIPTION:	<b>2016</b> <b>DESIGN STANDARDS</b>	<b>FLORIDA-U 63 BEAM - STANDARD DETAILS</b>	INDEX NO. <b>20263</b>	SHEET NO. <b>1 of 3</b>
---------------------------	--------------	--	---	---------------------------	----------------------------



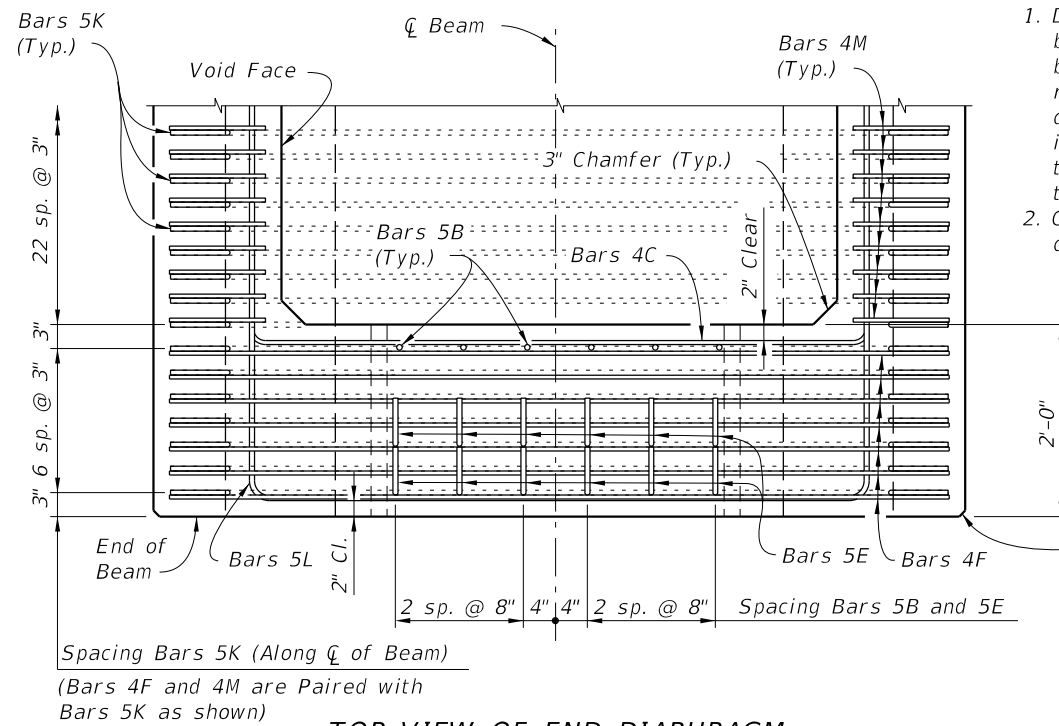
END VIEW AT END DIAPHRAGM



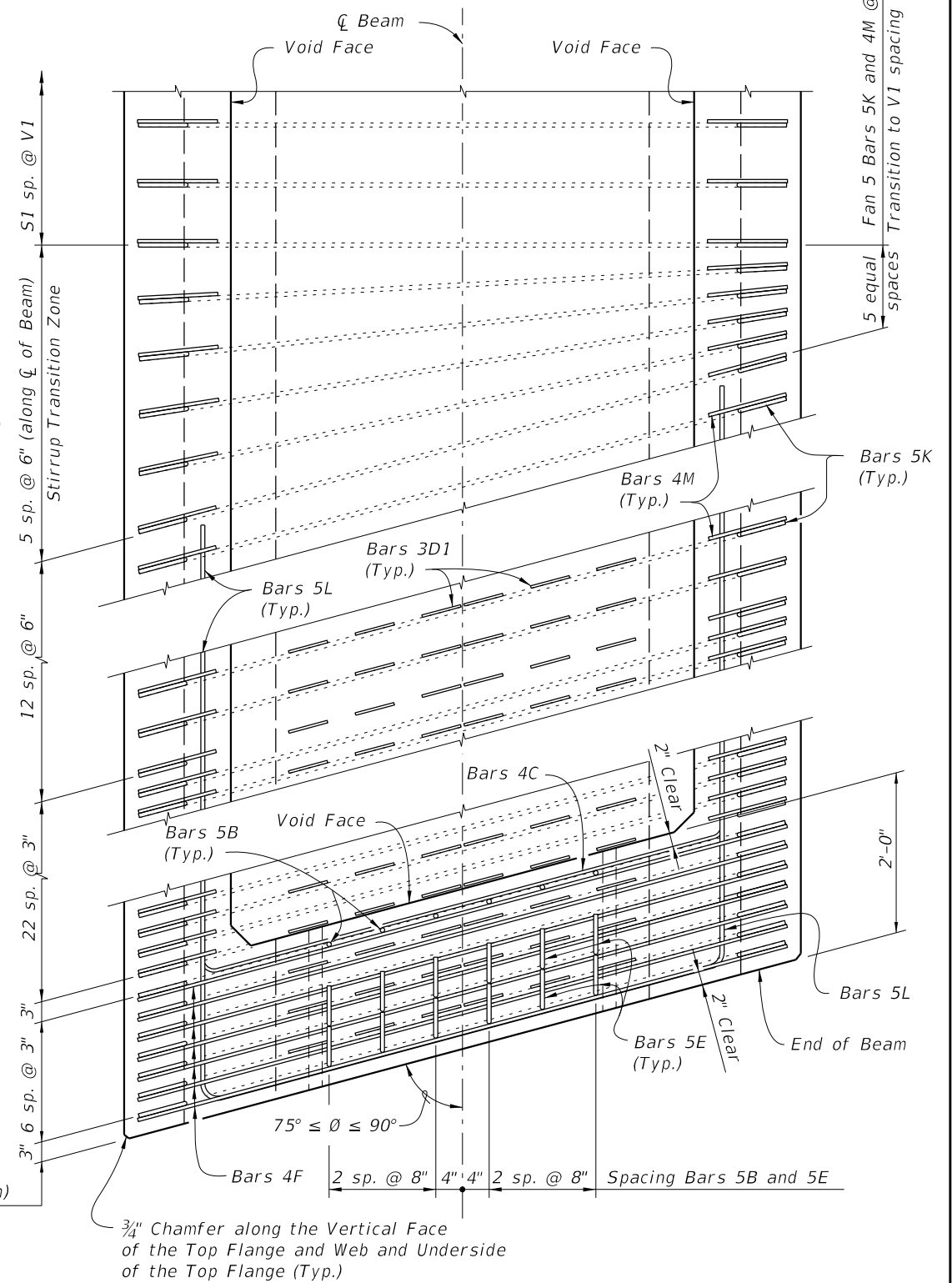
SECTION C-C

NOTES:

1. Drains shall be placed adjacent to each web at each beam end (four drains per beam). Drain Pipe shall be 2" Nominal Pipe Size, Schedule 80 PVC. Provide removable pipe plugs to prevent concrete entrance during beam casting. Plugs to be removed from the inside after casting. Galvanized screen wire shall cover the end of the pipe and bent down around the sides of the pipe, a minimum of 1" and secured prior to casting.
2. Concrete face may be sloped with a maximum 1:24 draft to facilitate formwork removal.



TOP VIEW OF END DIAPHRAGM  
(Bars 3D1 And 3D2 Not Shown For Clarity)



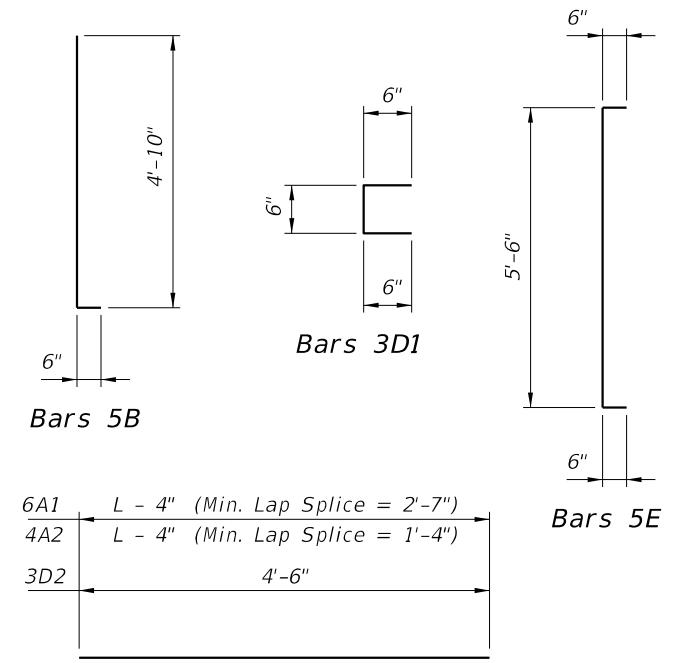
TOP VIEW OF SKEWED END DIAPHRAGM  
AND STIRRUP TRANSITION ZONE  
(Bars 3D2 Not Shown For Clarity)

6/24/2015 7:12:43 AM

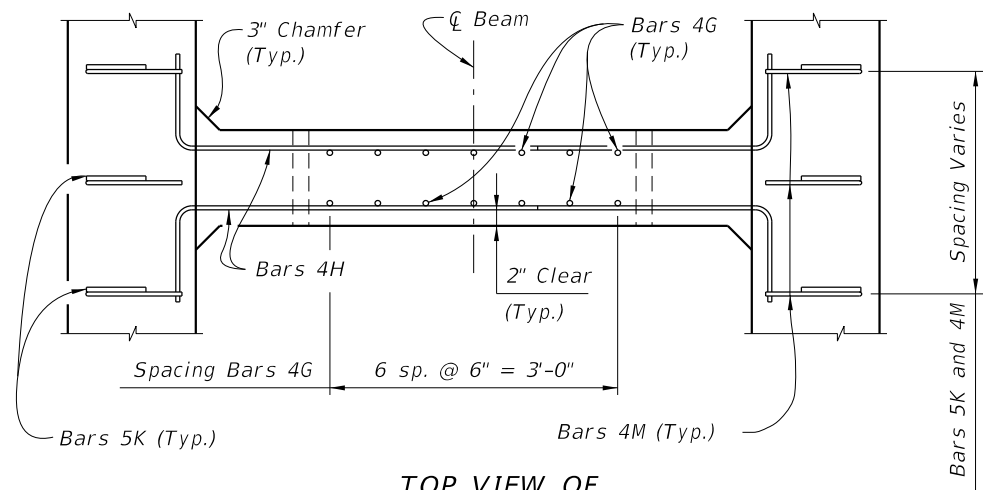
LAST REVISION 07/01/05	DESCRIPTION:
---------------------------	--------------

BILL OF REINFORCING STEEL FOR ONE BEAM ONLY

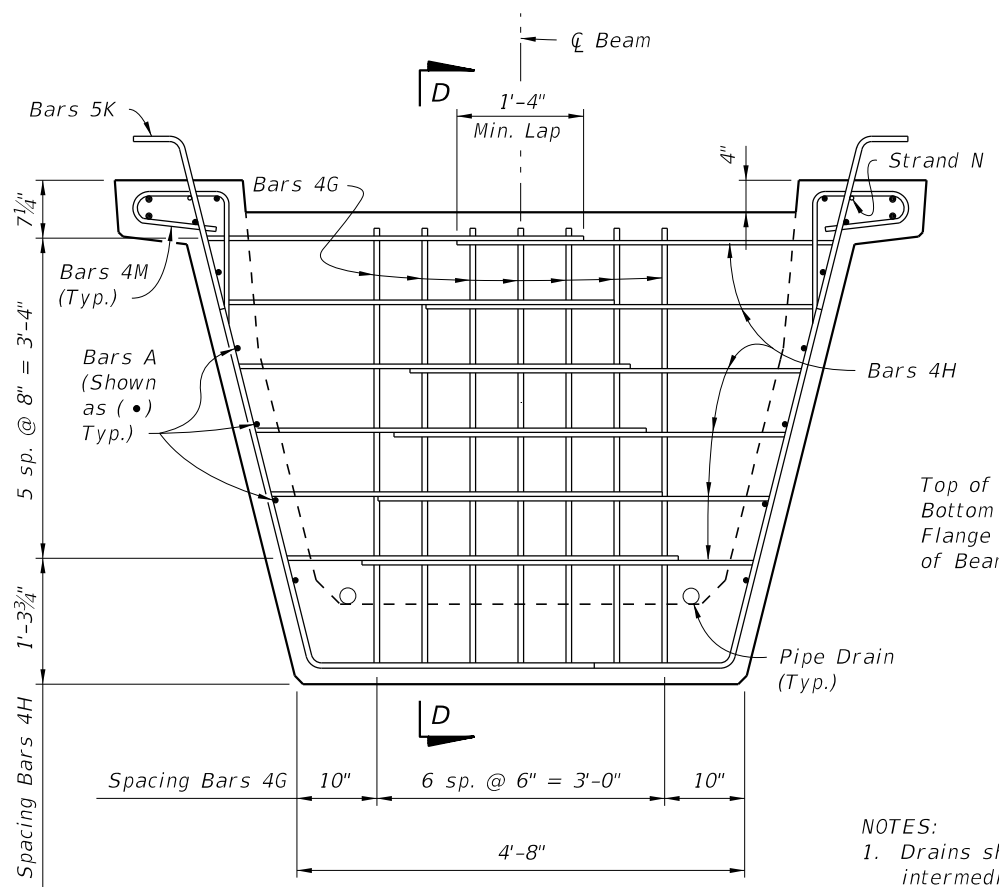
MARK	SIZE	NO. REQD.	LENGTH
A1	6	4	Dim. L - 4"
A2	4	12	Dim. L - 4"
B	5	12	5'-4"
C	4	24	5'-5"
D1	3	204	1'-6"
D2	3	34	4'-6"
E	5	24	6'-6"
F	4	28	6'-6"
G	4	See Table	5'-3"
H	4	See Table	4'-11"
K	5	See Table	9'-2½"
L	5	28	17'-8"
M	4	See Table	3'-11"
N	¾" Ø Strand	2	Dim. L - 3"



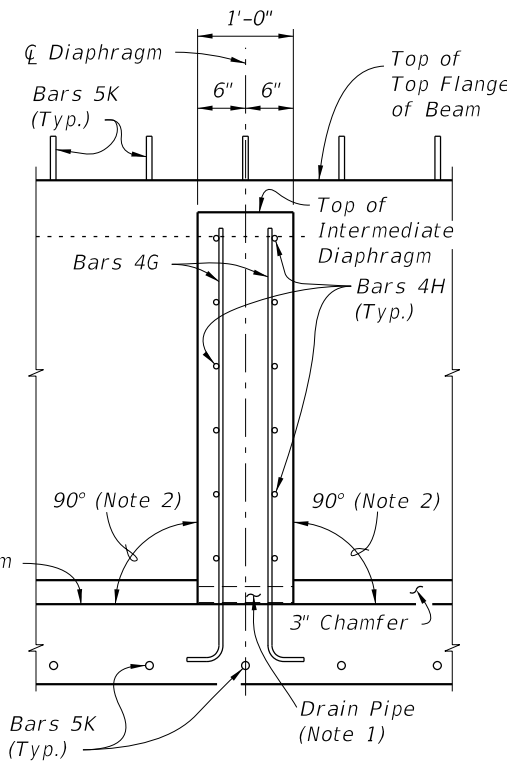
Bars 6A1, 4A2 and 3D2  
 6A1 L - 4" (Min. Lap Splice = 2'-7")  
 4A2 L - 4" (Min. Lap Splice = 1'-4")  
 3D2 4'-6"



TOP VIEW OF INTERMEDIATE DIAPHRAGM

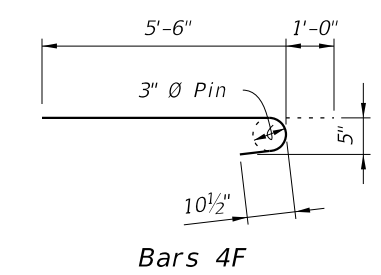


SECTION AT INTERMEDIATE DIAPHRAGM

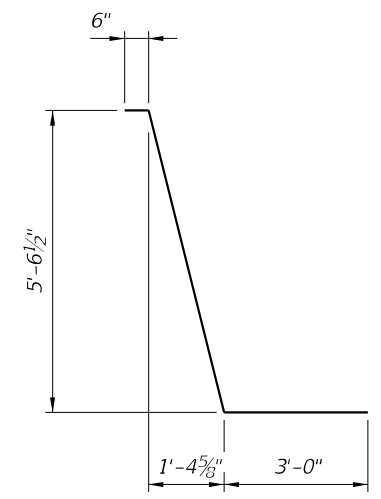


SECTION D-D

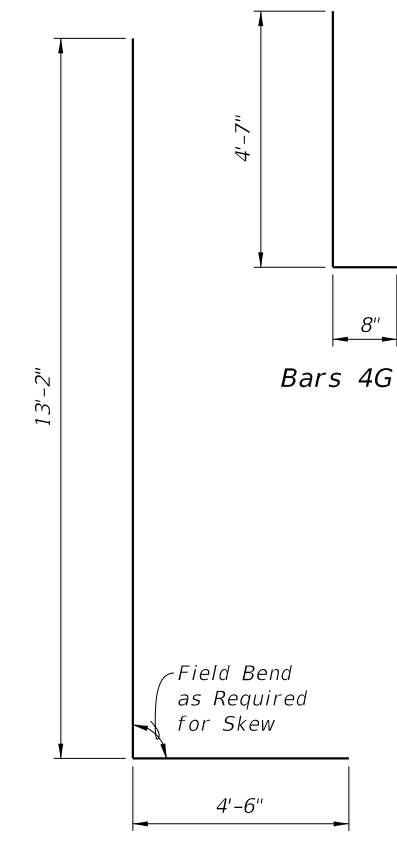
- NOTES:
1. Drains shall be placed adjacent to each web at each intermediate diaphragm (two drains per intermediate diaphragm). Drain Pipe shall be 2" Nominal Pipe Size, Schedule 80 PVC. Provide removable pipe plugs to prevent concrete entrance during beam casting. Plugs to be removed from the inside after casting.
  2. Concrete face may be sloped with a maximum 1:24 draft to facilitate formwork removal.
  3. Intermediate diaphragms must be cast and concrete release strength obtained prior to removing beam from casting bed.



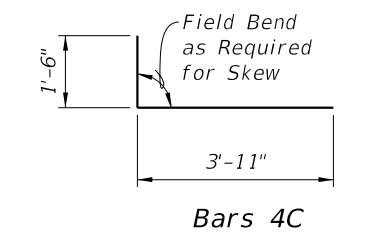
Bars 4F



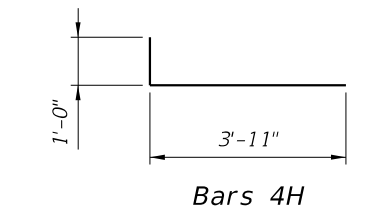
Bars 5K



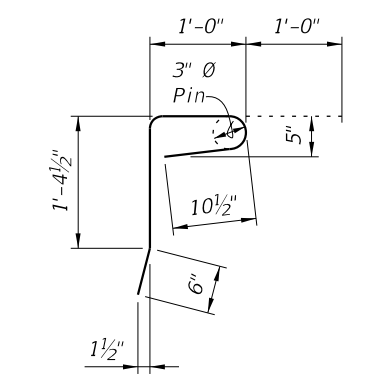
Bars 5L



Bars 4C



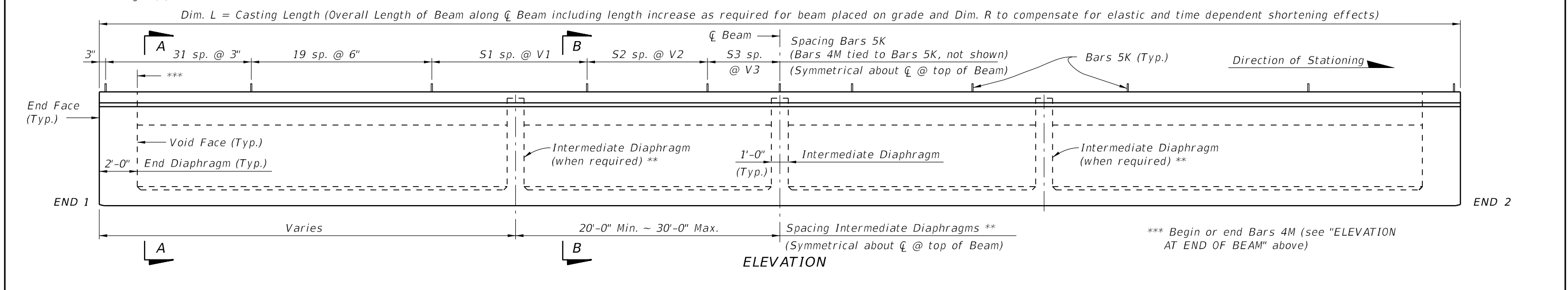
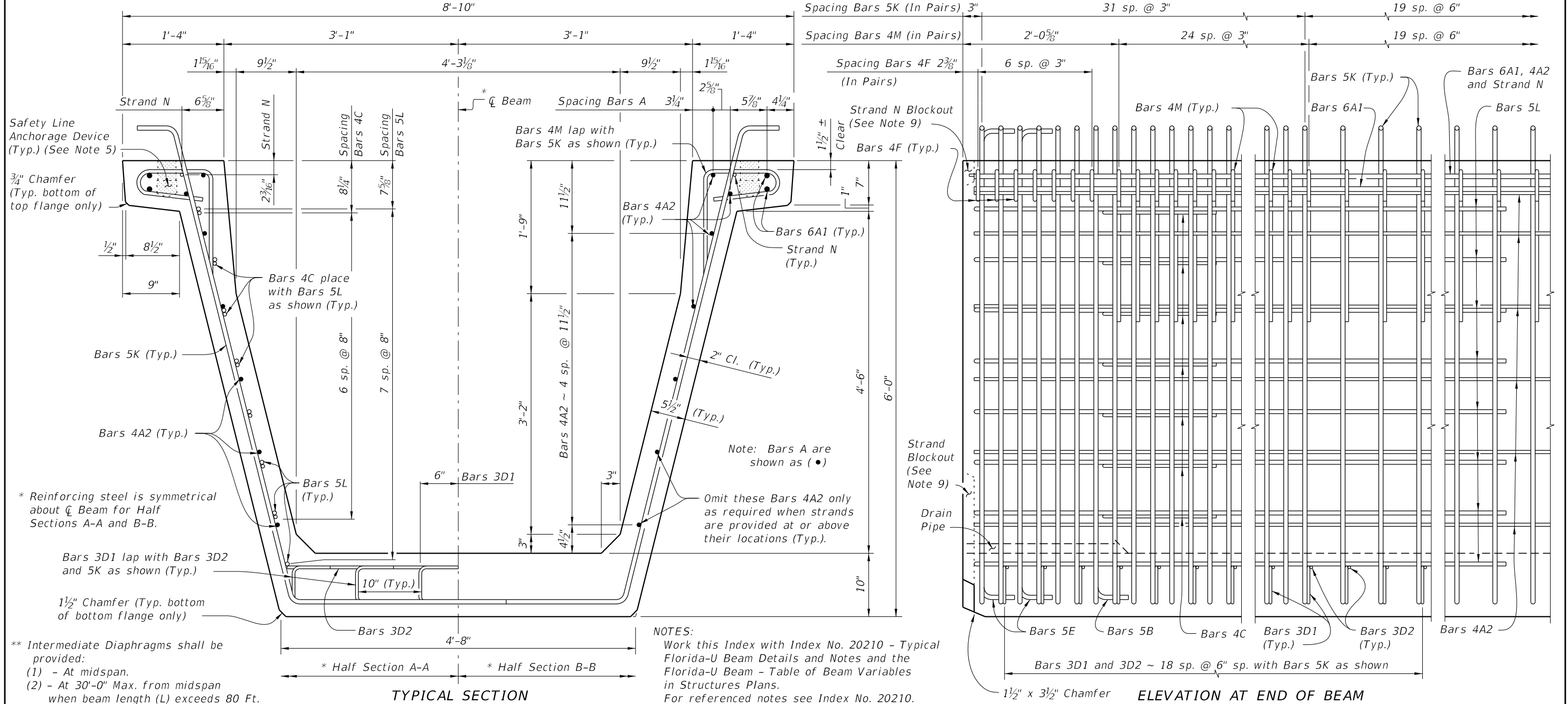
Bars 4H



Bars 4M

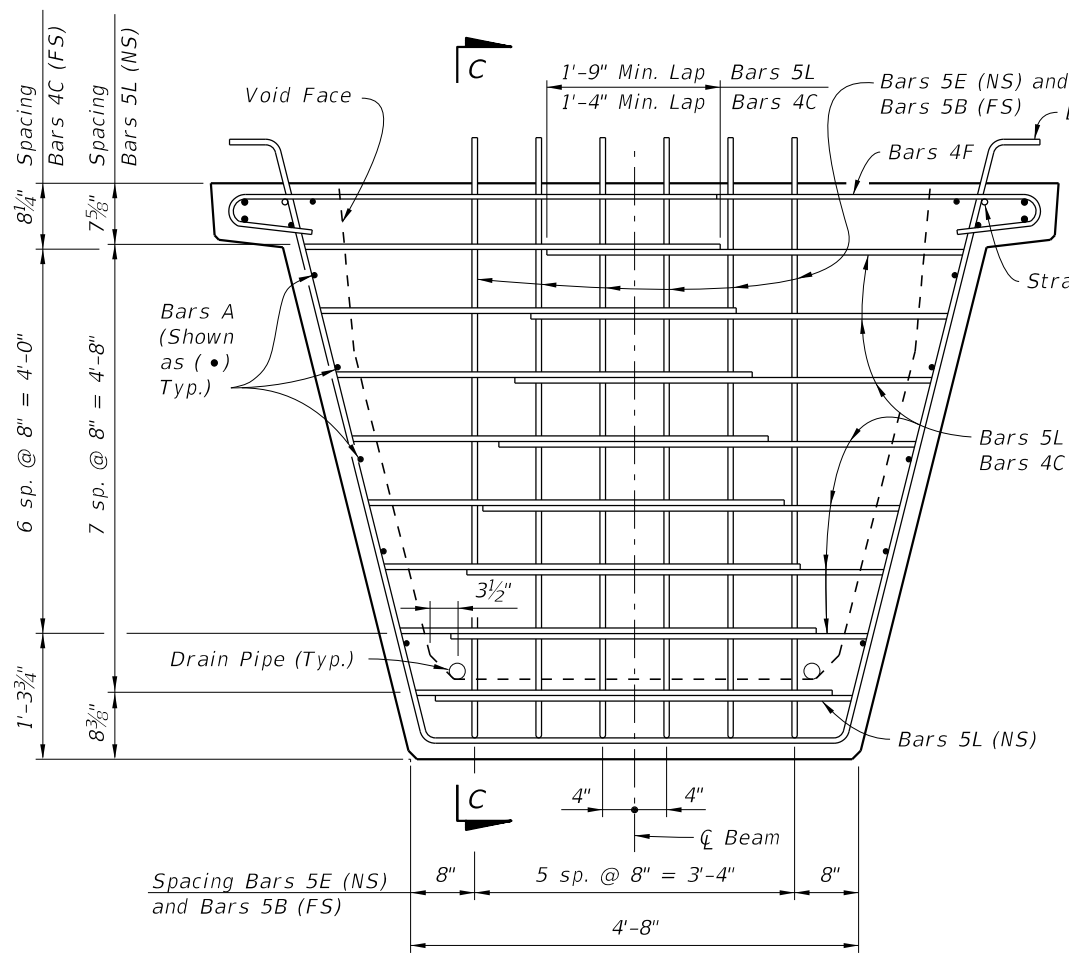
6/24/2015 7:12:44 AM

LAST REVISION 01/01/11	DESCRIPTION:
---------------------------	--------------

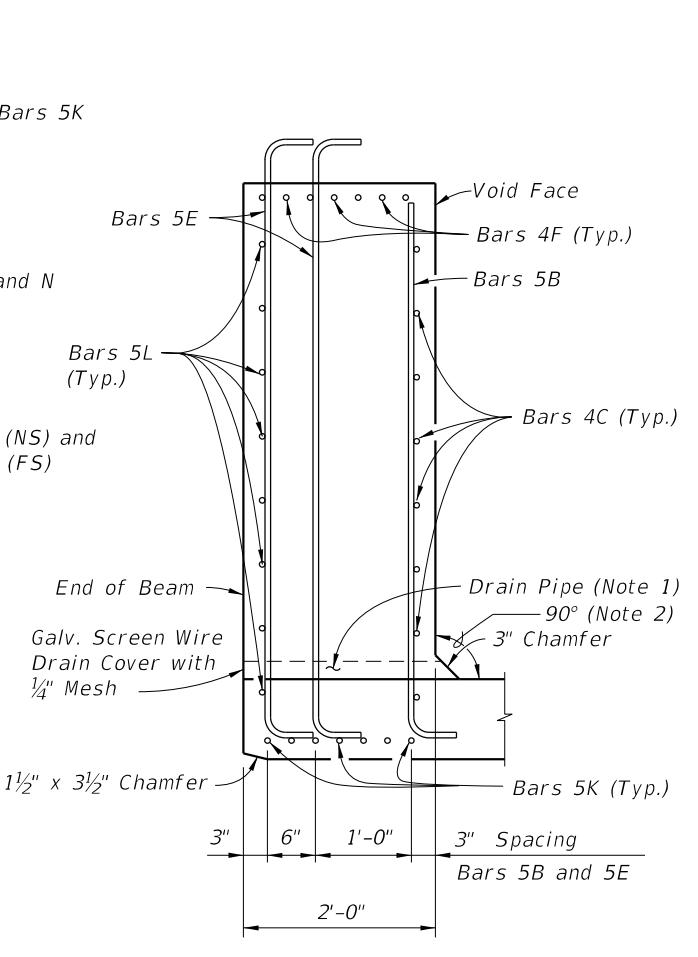


6/24/2015 7:13:15 AM

LAST REVISION 07/01/12	DESCRIPTION:	 <b>2016</b> <b>DESIGN STANDARDS</b>	<b>FLORIDA-U 72 BEAM - STANDARD DETAILS</b>	INDEX NO. <b>20272</b>	SHEET NO. <b>1 of 3</b>
---------------------------	--------------	--	---	---------------------------	----------------------------

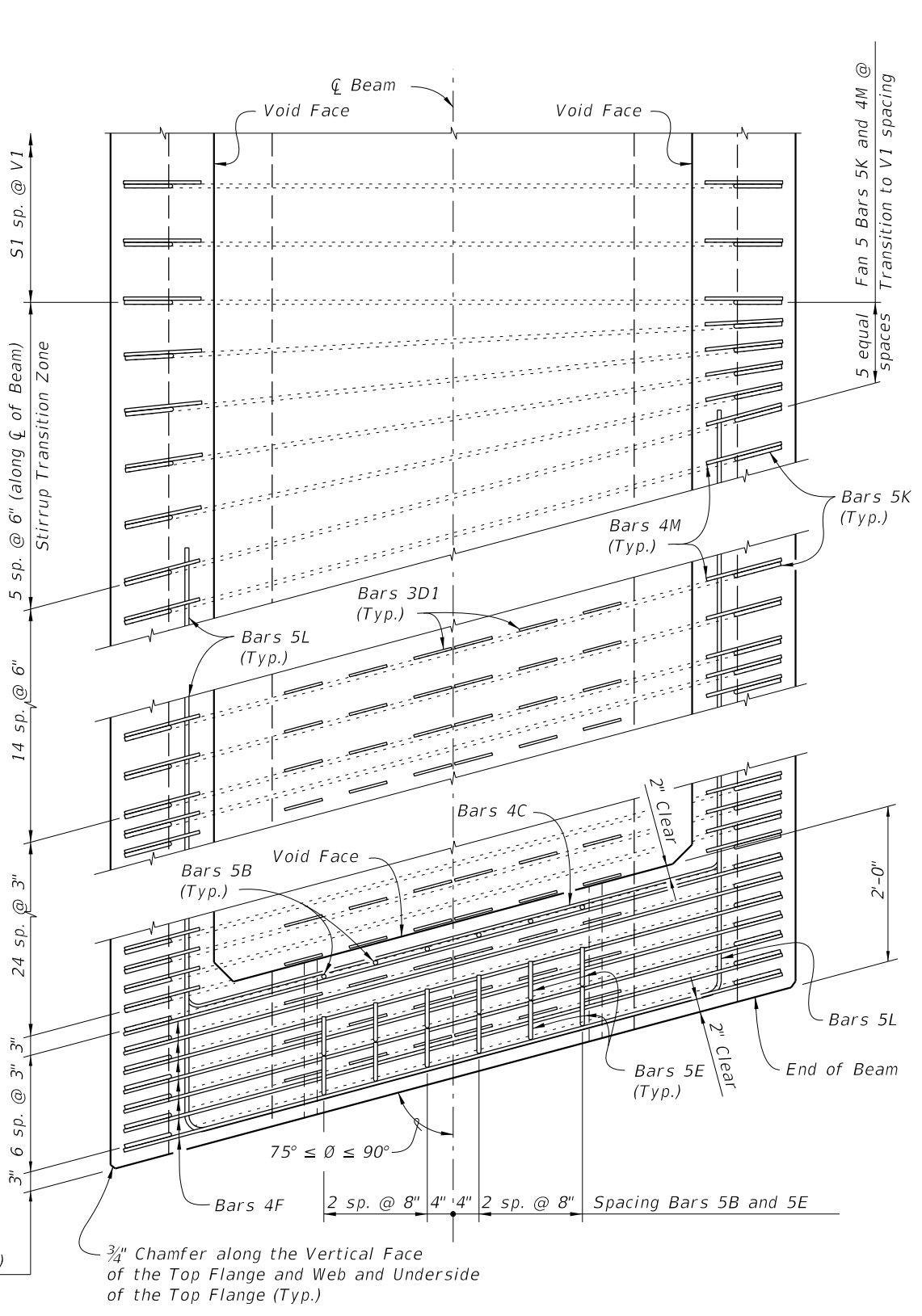


END VIEW AT END DIAPHRAGM

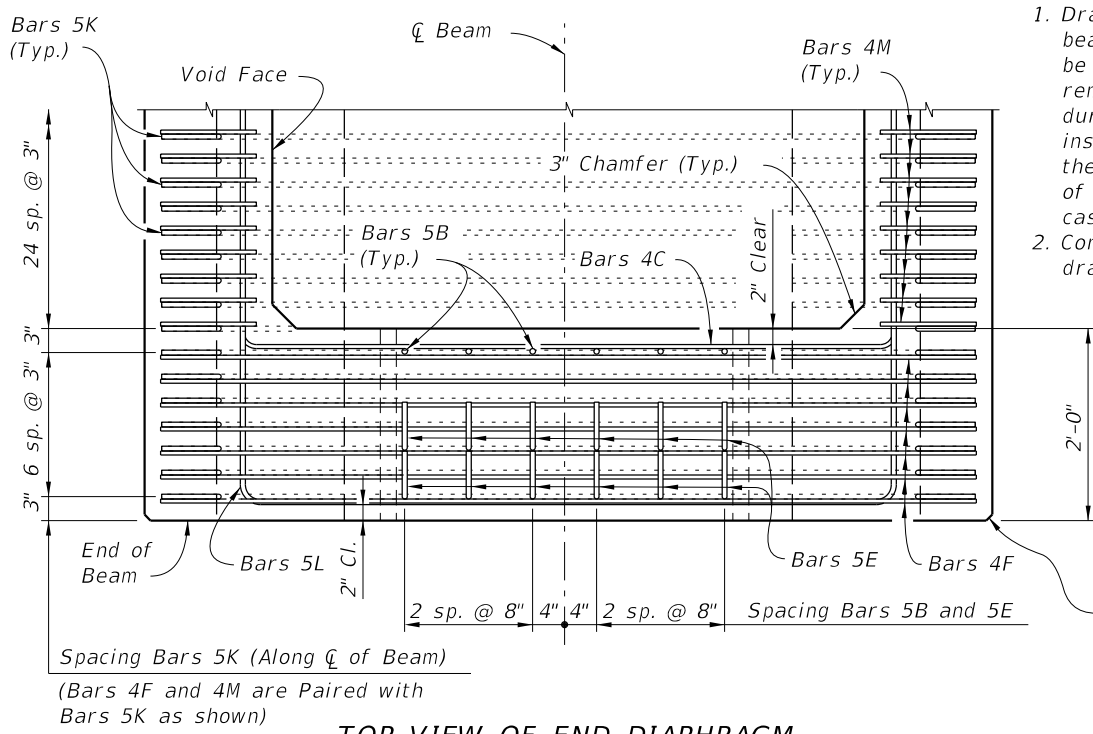


SECTION C-C

- NOTES:
1. Drains shall be placed adjacent to each web at each beam end (four drains per beam). Drain Pipe shall be 2" Nominal Pipe Size, Schedule 80 PVC. Provide removable pipe plugs to prevent concrete entrance during beam casting. Plugs to be removed from the inside after casting. Galvanized screen wire shall cover the end of the pipe and bent down around the sides of the pipe, a minimum of 1" and secured prior to casting.
  2. Concrete face may be sloped with a maximum 1:24 draft to facilitate formwork removal.



TOP VIEW OF SKEWED END DIAPHRAGM AND STIRRUP TRANSITION ZONE (Bars 3D2 Not Shown For Clarity)



TOP VIEW OF END DIAPHRAGM (Bars 3D1 And 3D2 Not Shown For Clarity)

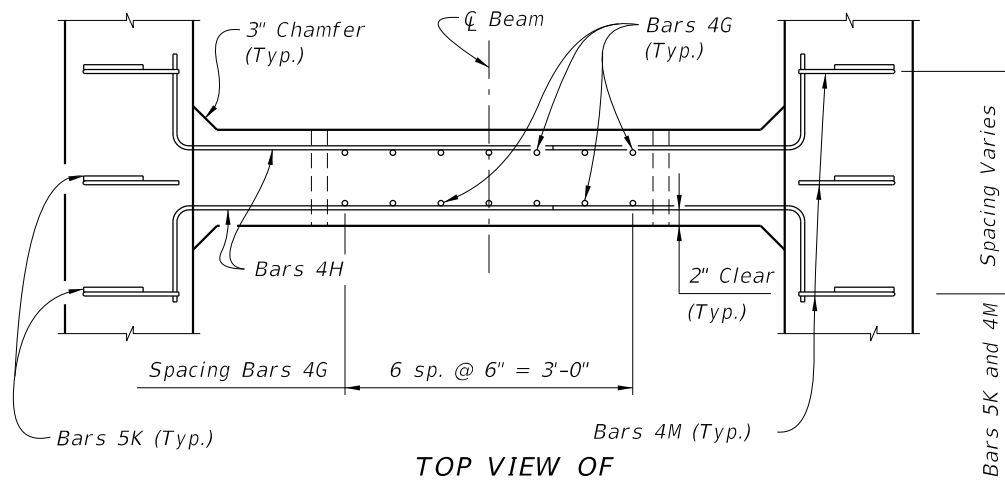
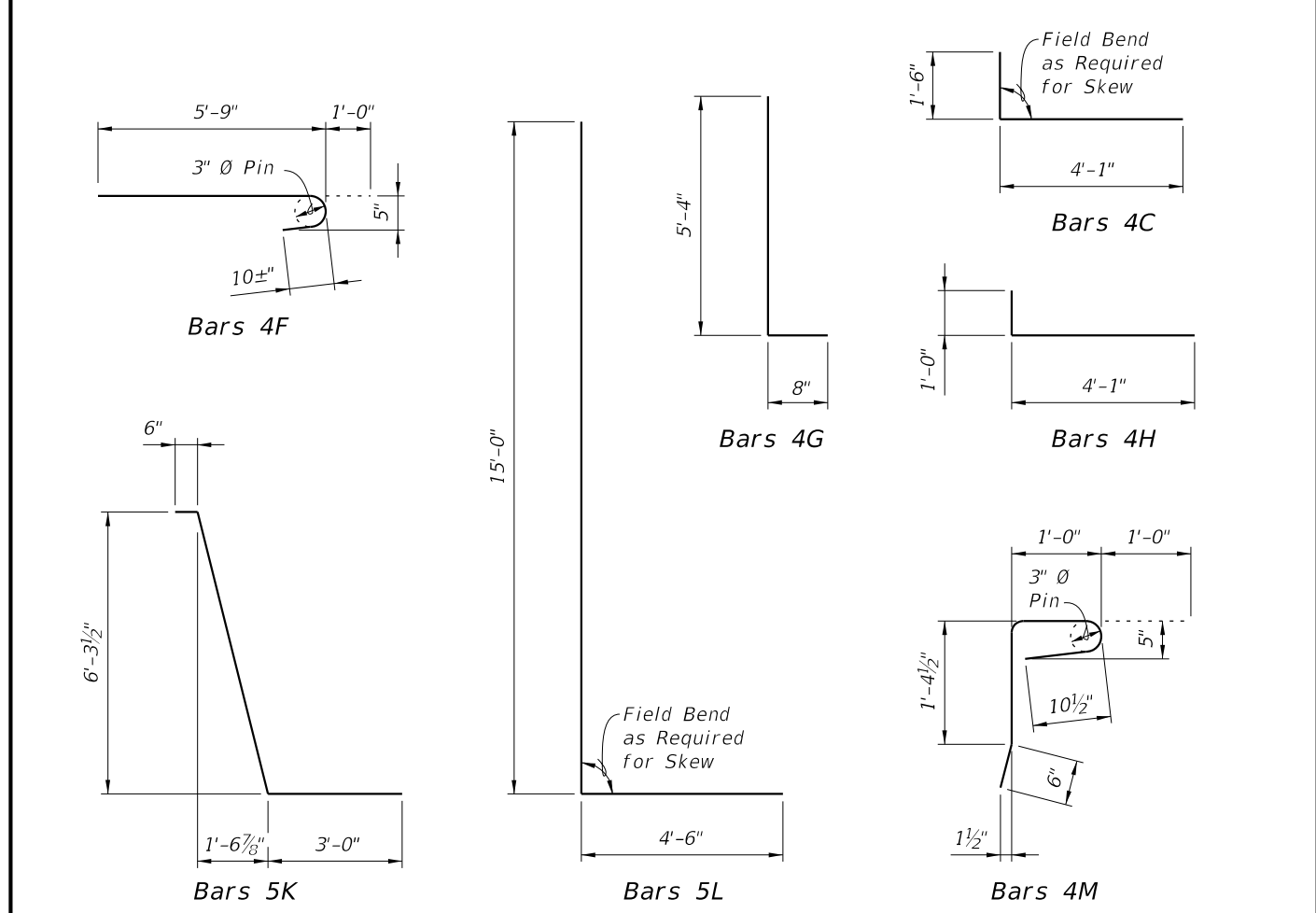
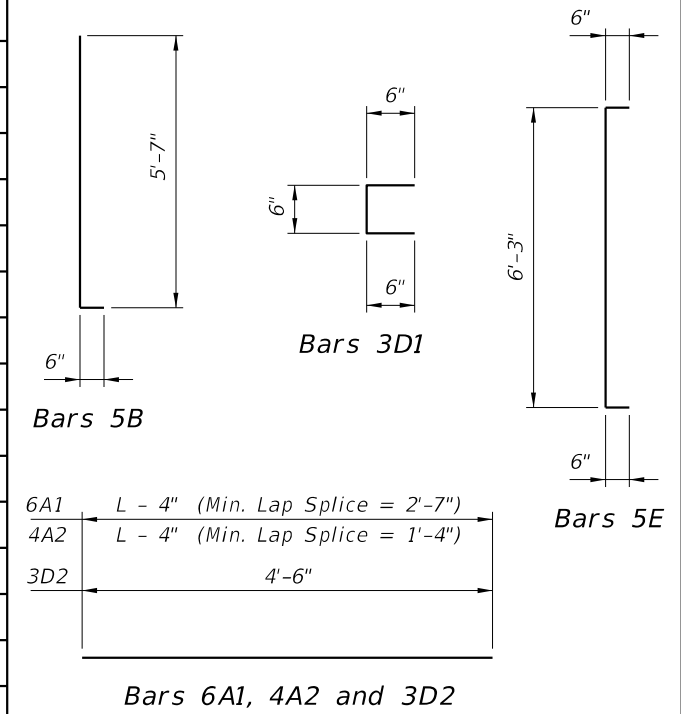
6/24/2015 7:13:16 AM

LAST REVISION 07/01/05	DESCRIPTION:	2016 FDOT DESIGN STANDARDS	FLORIDA-U 72 BEAM - STANDARD DETAILS	INDEX NO. 20272	SHEET NO. 2 of 3
---------------------------	--------------	-------------------------------	--------------------------------------	--------------------	---------------------

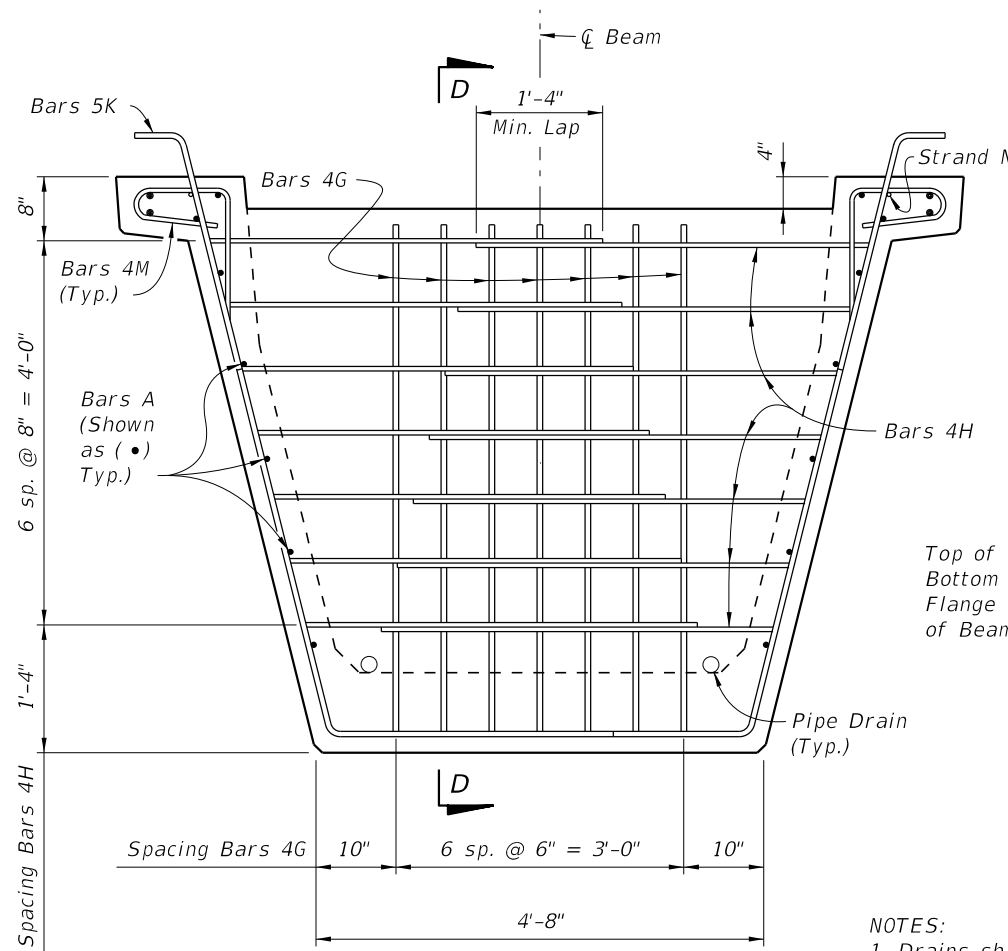


BILL OF REINFORCING STEEL FOR ONE BEAM ONLY

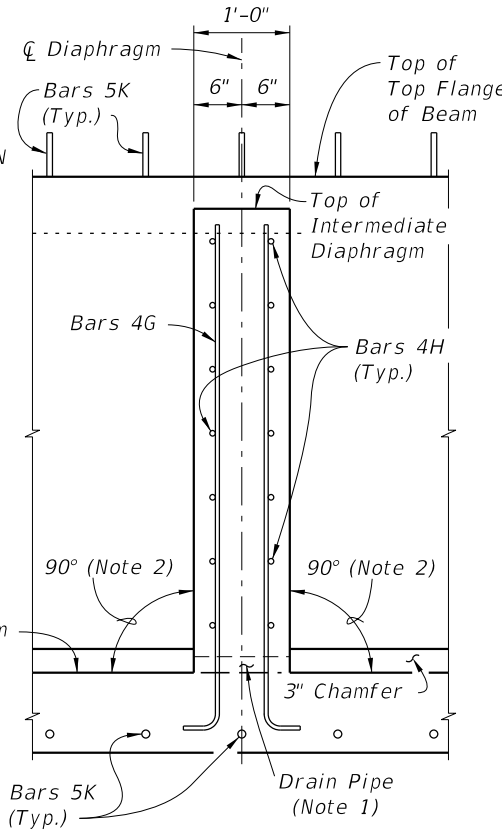
MARK	SIZE	NO. REQD.	LENGTH
A1	6	4	Dim. L - 4"
A2	4	14	Dim. L - 4"
B	5	12	6'-1"
C	4	28	5'-7"
D1	3	228	1'-6"
D2	3	38	4'-6"
E	5	24	7'-3"
F	4	28	6'-9"
G	4	See Table	6'-0"
H	4	See Table	5'-1"
K	5	See Table	10'-0"
L	5	32	19'-6"
M	4	See Table	3'-11"
N	3/8" Ø Strand	2	Dim. L - 3"



TOP VIEW OF INTERMEDIATE DIAPHRAGM



SECTION AT INTERMEDIATE DIAPHRAGM



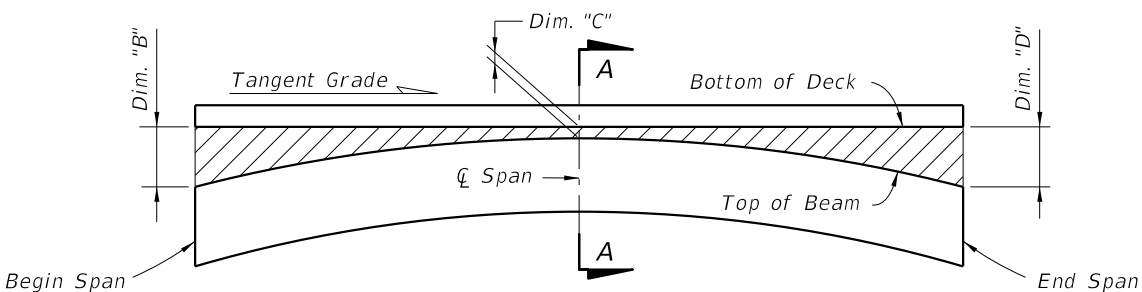
SECTION D-D

NOTES:

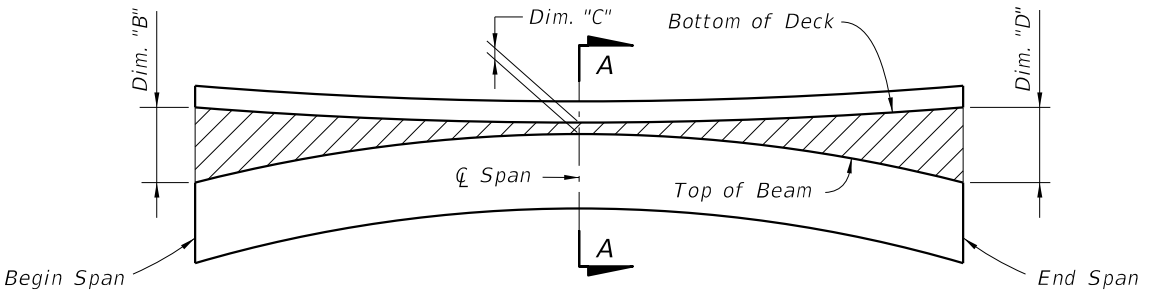
1. Drains shall be placed adjacent to each web at each intermediate diaphragm (two drains per intermediate diaphragm). Drain Pipe shall be 2" Nominal Pipe Size, Schedule 80 PVC. Provide removable pipe plugs to prevent concrete entrance during beam casting. Plugs to be removed from the inside after casting.
2. Concrete face may be sloped with a maximum 1:24 draft to facilitate formwork removal.
3. Intermediate diaphragms must be cast and concrete release strength obtained prior to removing beam from casting bed.

6/24/2015 7:13:17 AM

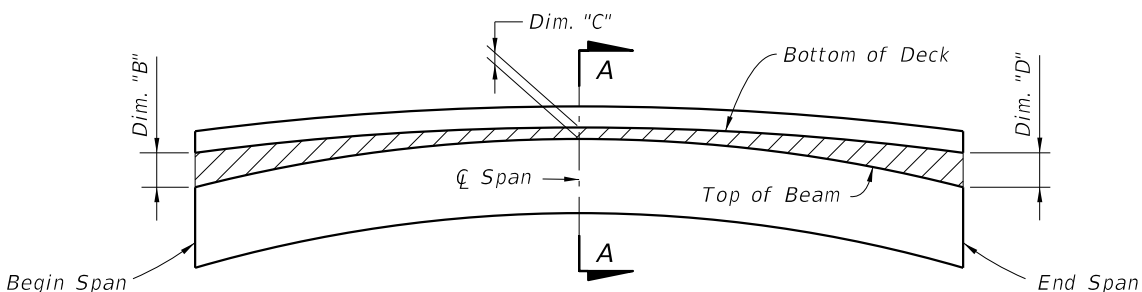
LAST REVISION	DESCRIPTION:
07/01/05	



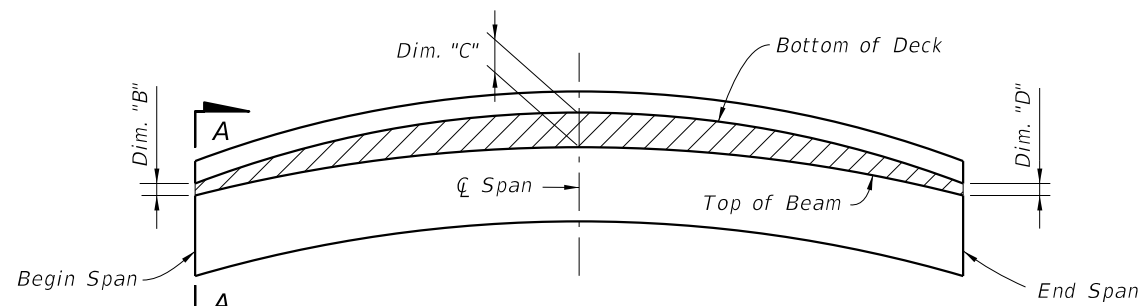
**BUILD-UP DIAGRAM FOR TANGENT SPANS  
(ALONG Q FLANGE) (CASE 1)**



**BUILD-UP DIAGRAM FOR SAG VERTICAL CURVE & HORIZONTAL CURVE SPANS  
(ALONG Q FLANGE) (CASE 2)**



**BUILD-UP DIAGRAM FOR CREST VERTICAL CURVE SPANS  
- CONTROL AT Q SPAN  
(ALONG Q FLANGE) (CASE 3)**

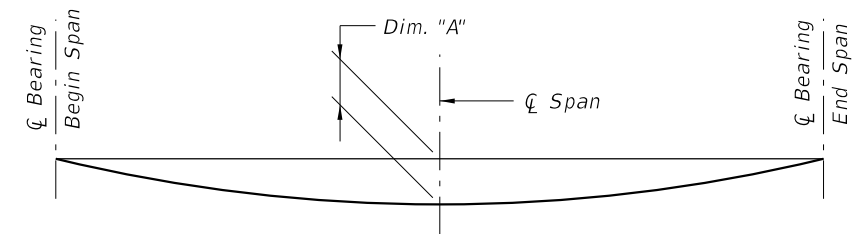


**BUILD-UP DIAGRAM FOR CREST VERTICAL CURVE SPANS  
- CONTROL AT BEGIN OR END SPAN  
(ALONG Q FLANGE) (CASE 4)**

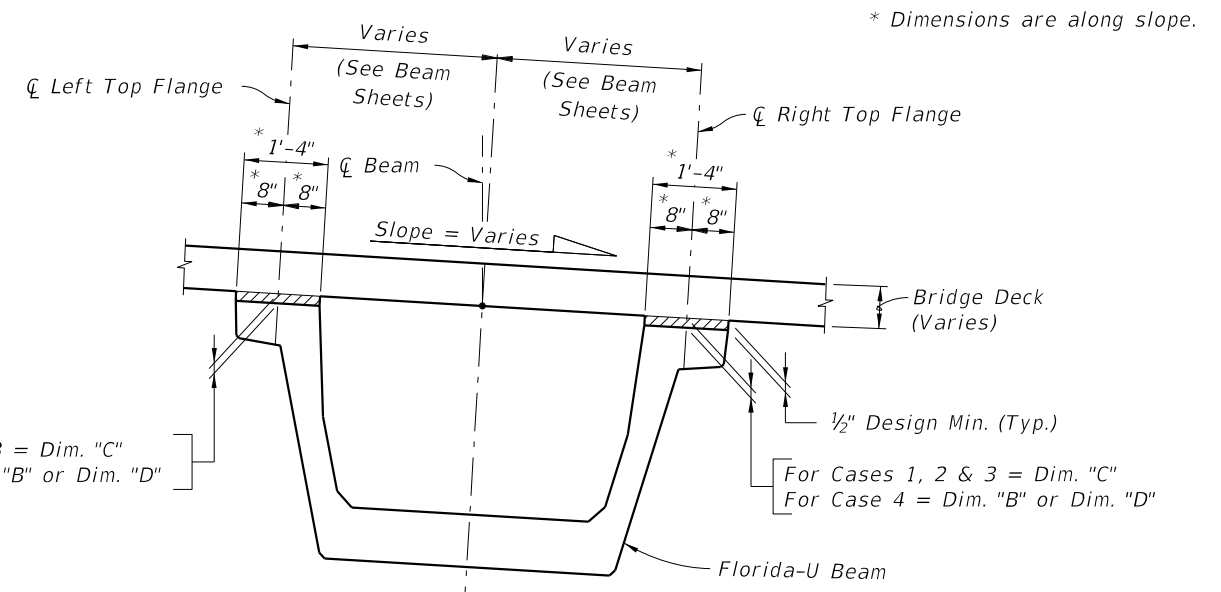
**BEAM CAMBER AND BUILD-UP NOTES:**

The build-up values given in the Data Table\* are based on theoretical beam cambers. The Contractor shall monitor beam cambers for the purpose of predicting camber values at the time of the deck pour. If the predicted cambers based on field measurements differ more than +/- 1/2" from the theoretical "Net Beam Camber @ 120 Days" shown in the Data Table\*, obtain approval from the Engineer to modify the build-up dimensions as required. When the measured beam cambers create a conflict with the bottom mat of deck steel, notify the Engineer a minimum of 21 days prior to casting.

Dim. "A" includes the weight of the Stay-In-Place Formwork.



**DEAD LOAD DEFLECTION DIAGRAM  
(ALONG Q BEAM)**



\* Dimensions are along slope.

For Cases 1, 2 & 3 = Dim. "C"  
For Case 4 = Dim. "B" or Dim. "D"

For Cases 1, 2 & 3 = Dim. "C"  
For Case 4 = Dim. "B" or Dim. "D"

\* NOTE:  
Work this Index with the Build-up and Deflection  
Data Table for Florida-U Beams in Structures Plans.

**SECTION A-A  
BUILD-UP OVER BEAMS  
(LOOKING AHEAD STATION)**

6/24/2015 7:13:32 AM

LAST REVISION 07/01/15	REVISION	DESCRIPTION:	 2016 DESIGN STANDARDS	BUILD-UP & DEFLECTION DATA FOR FLORIDA-U BEAMS	INDEX NO. 20299	SHEET NO. 1 of 1
---------------------------	----------	--------------	------------------------------	---	--------------------	---------------------