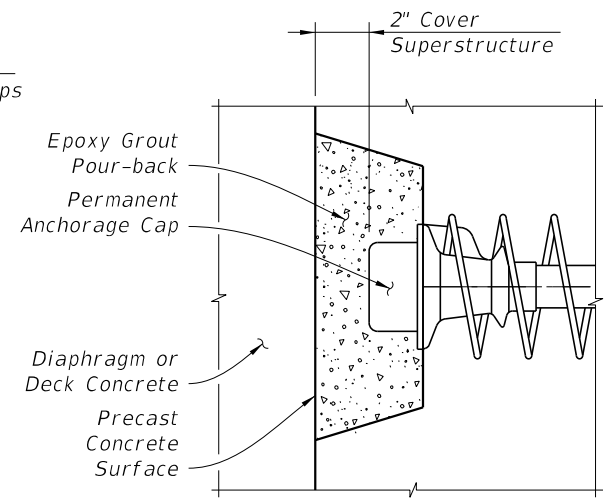
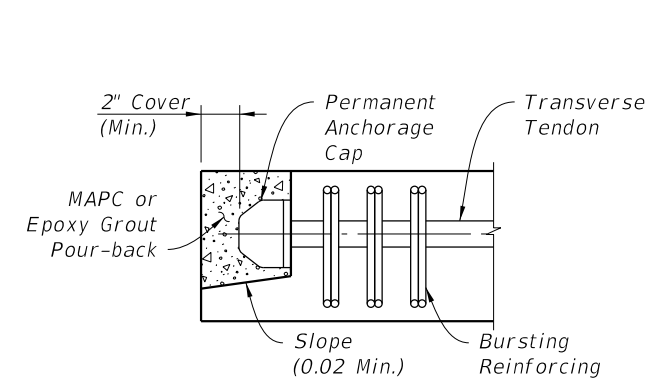


TYPE 1

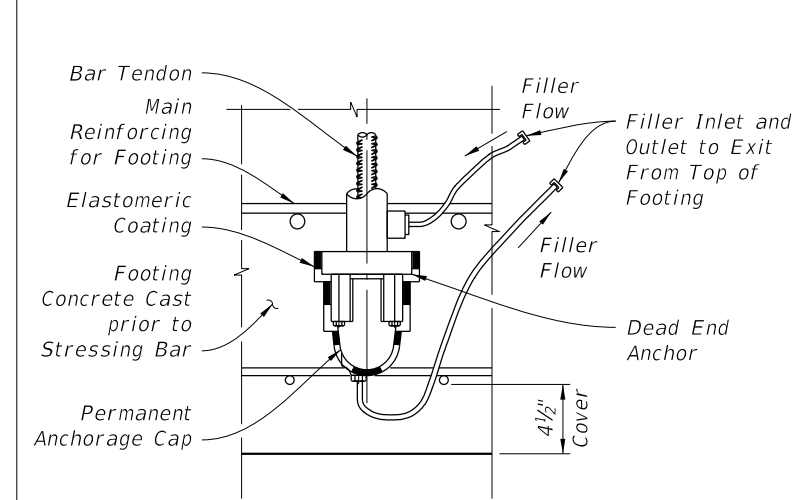


TYPE 2

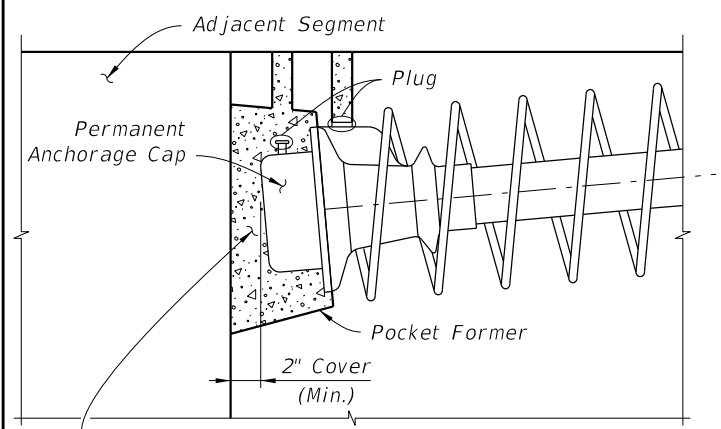


TYPE 7

Type 7 Notes:  
 1. Traffic or Pedestrian/Bicycle Railing not shown for clarity.  
 2. Where Pour-back is not protected by Traffic or Pedestrian/Bicycle Railing, Coat Pour-back with High Molecular Weight Methacrylate.

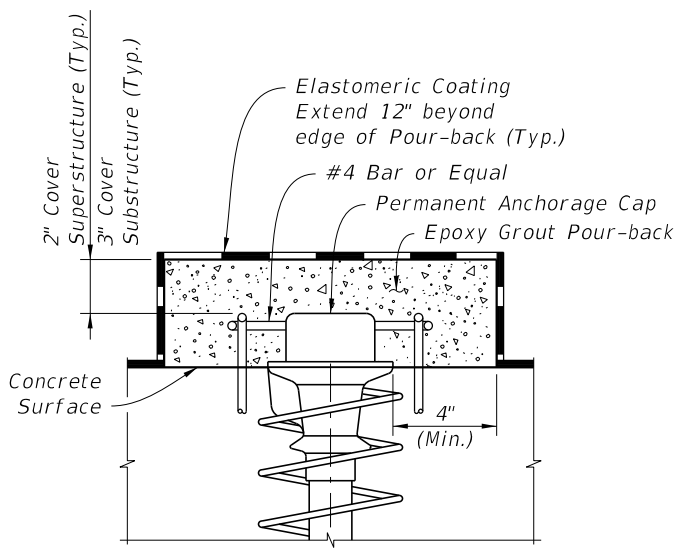


TYPE 8

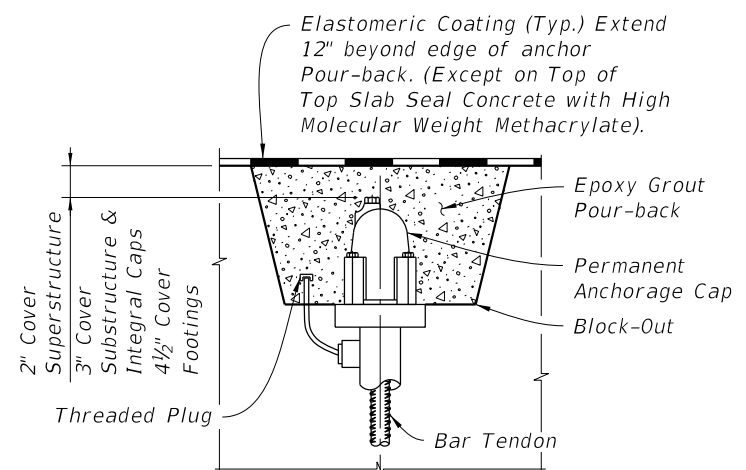


TYPE 3

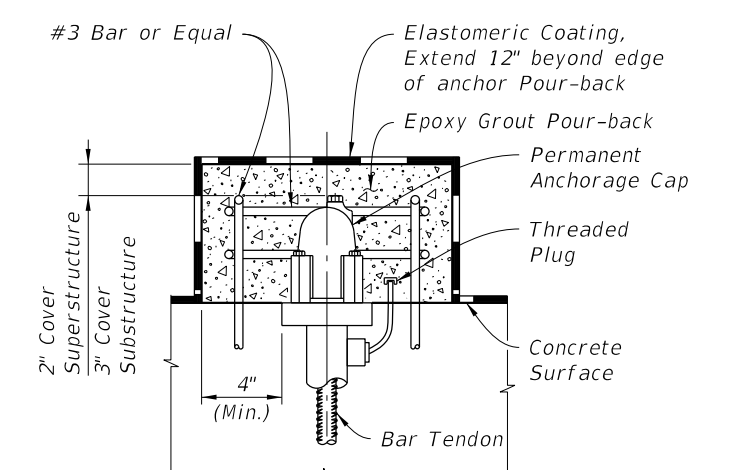
Epoxy Grout Pour-back placed after permanent tendons anchored in adjacent segment have been stressed



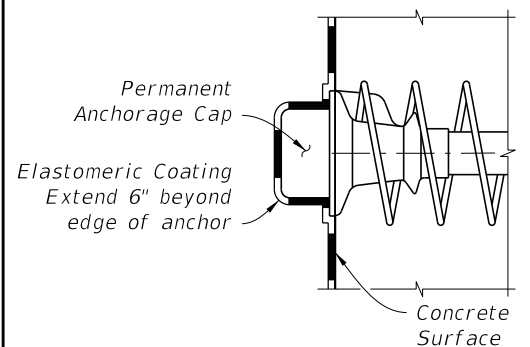
TYPE 4



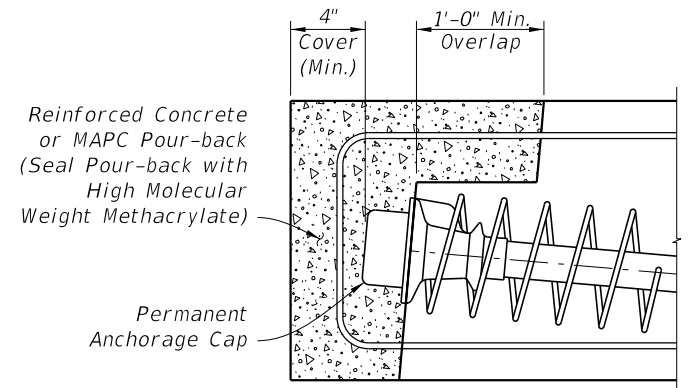
TYPE 9



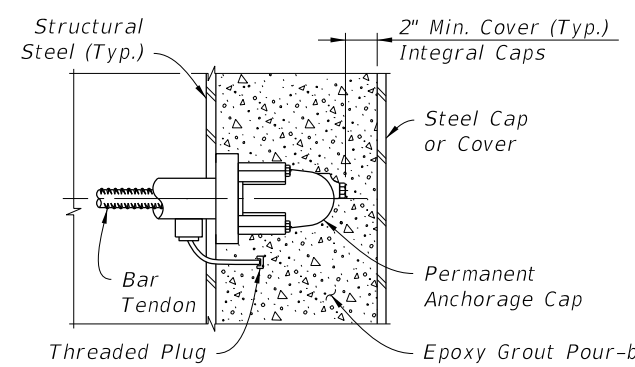
TYPE 10



TYPE 5

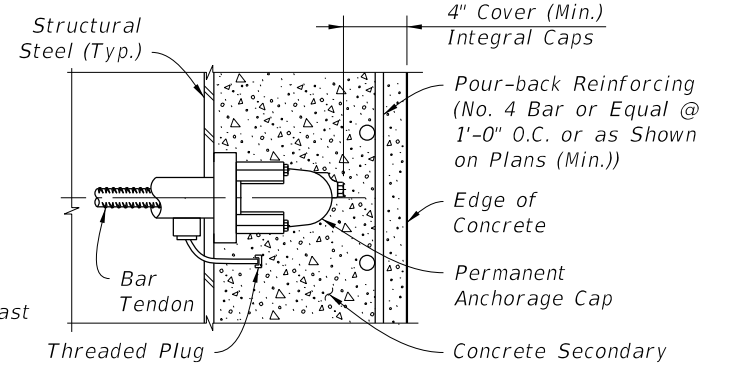


TYPE 6



TYPE 11

(Shear Studs not Shown for Clarity)



TYPE 12

(Shear Studs not Shown for Clarity)

ANCHORAGE PROTECTION FOR STRAND TENDONS

ANCHORAGE PROTECTION FOR BAR TENDONS

6/24/2015 7:53:50 AM

LAST REVISION 07/01/15	DESCRIPTION:
---------------------------	--------------