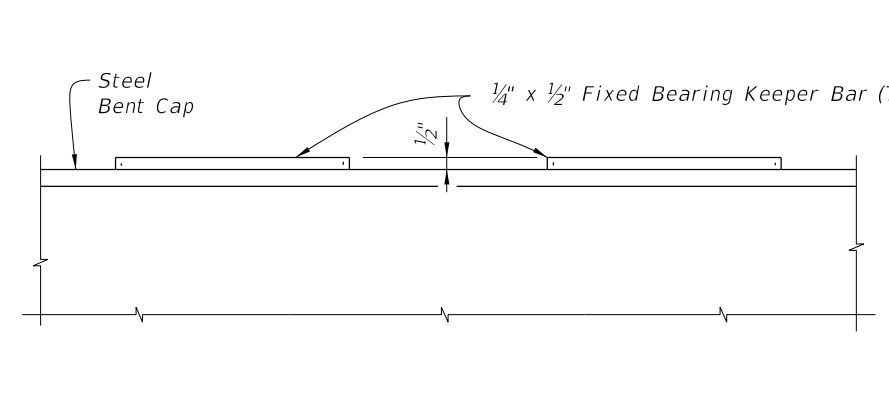
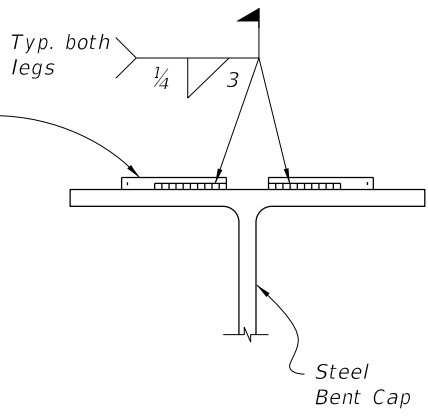


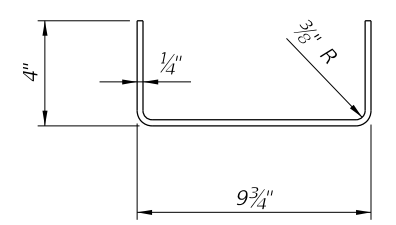
PARTIAL PLAN VIEW



PARTIAL ELEVATION VIEW

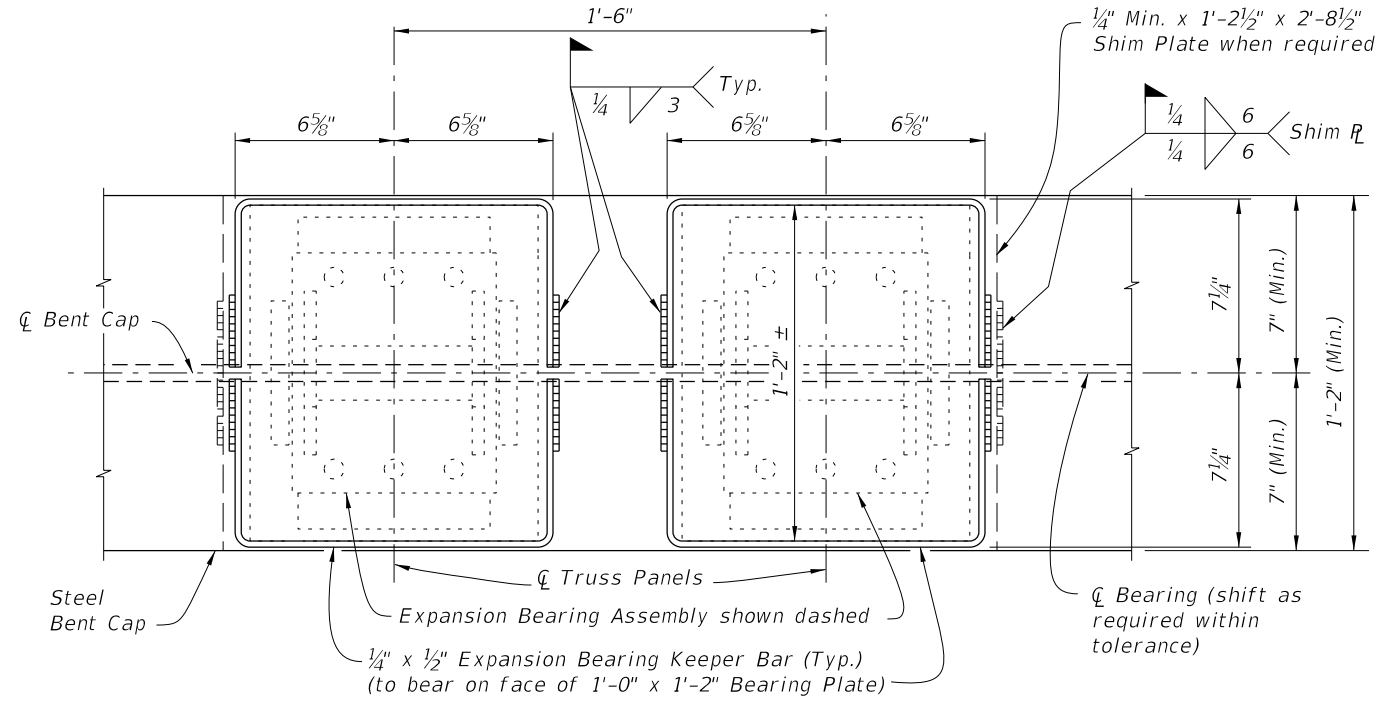


END VIEW

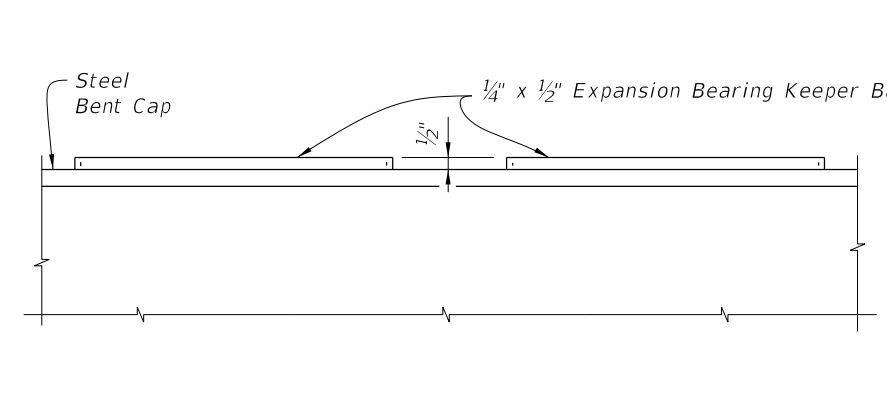


FIXED BEARING KEEPER BAR DETAIL

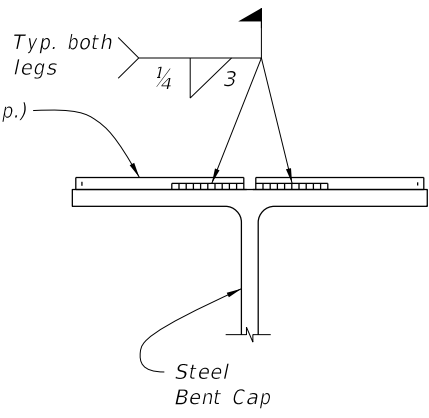
FIXED BEARING DETAILS



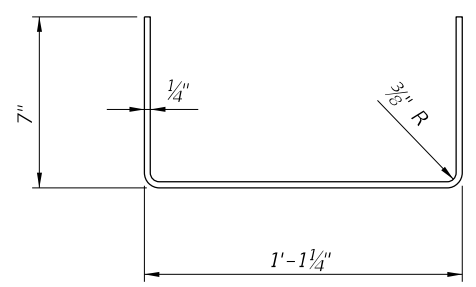
PARTIAL PLAN VIEW



PARTIAL ELEVATION VIEW



END VIEW



EXPANSION BEARING KEEPER BAR DETAIL

EXPANSION BEARING DETAILS

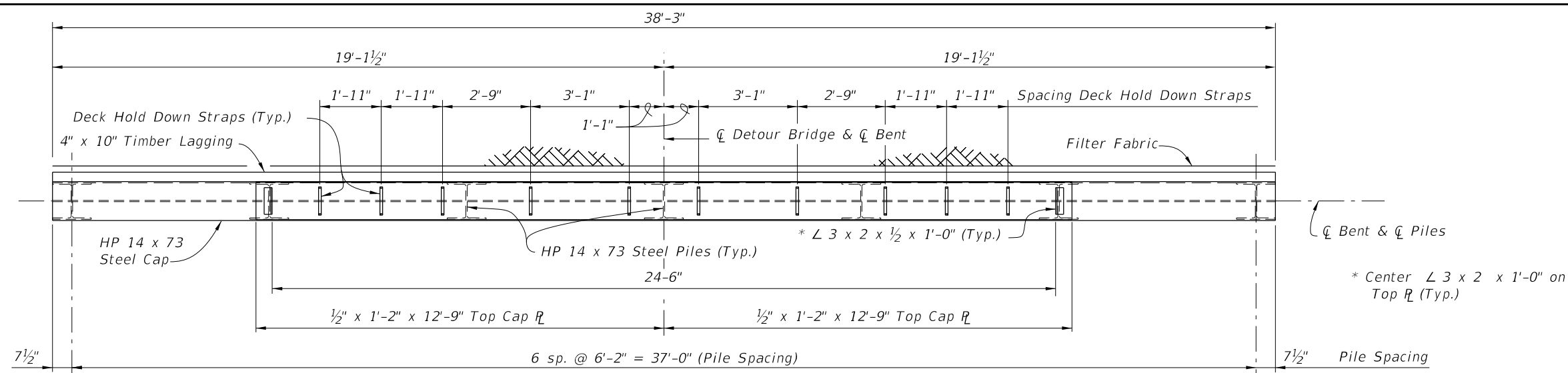
6/24/2015 7:52:26 AM

LAST REVISION 07/01/13	DESCRIPTION:
---------------------------	--------------

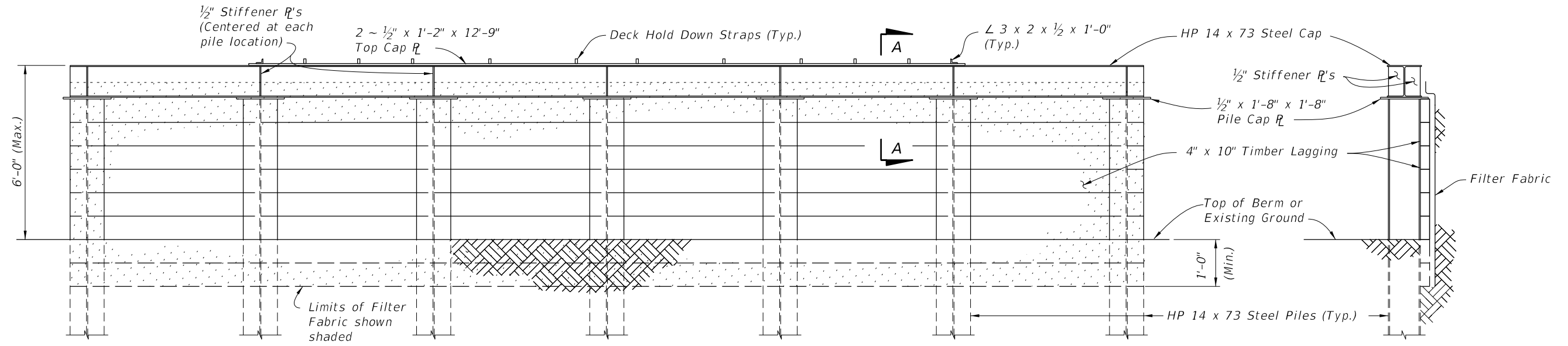


TEMPORARY DETOUR BRIDGE DETAILS  
STEEL H PILE FOUNDATIONS

INDEX NO. 21620	SHEET NO. 1 of 2
--------------------	---------------------

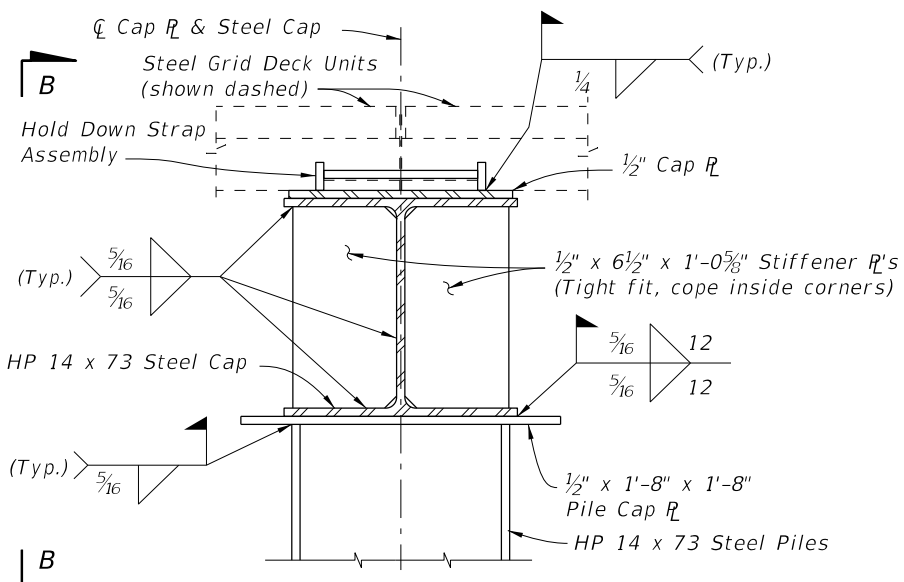


PLAN VIEW

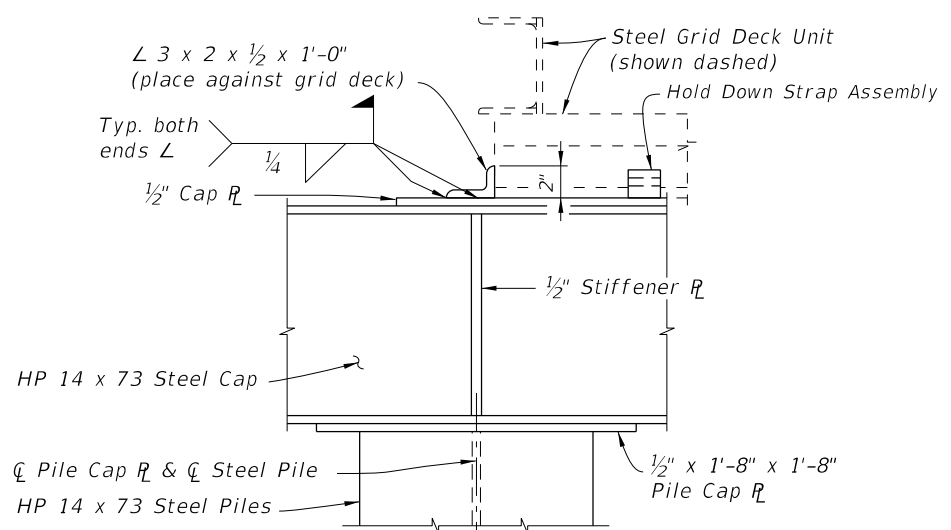


ELEVATION VIEW

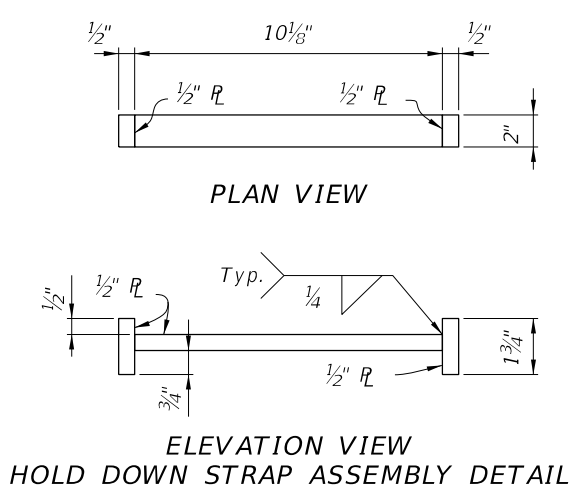
END VIEW



SECTION A-A  
(LAGGING NOT SHOWN FOR CLARITY)



VIEW B-B



ELEVATION VIEW  
HOLD DOWN STRAP ASSEMBLY DETAIL

BACKWALL BENT DETAILS

6/24/2015 7:52:26 AM

LAST REVISION 07/01/06	REVISION	DESCRIPTION:	 2016 DESIGN STANDARDS	TEMPORARY DETOUR BRIDGE DETAILS STEEL H PILE FOUNDATIONS	INDEX NO. 21620	SHEET NO. 2 of 2
---------------------------	----------	--------------	------------------------------	---	--------------------	---------------------