

Safety Line Anchorage Device (Typ.) (See Note 5)

3/4" Chamfer (Typ. bottom of top flange only)

* Reinforcing steel is symmetrical about C Beam for Half Sections A-A and B-B.

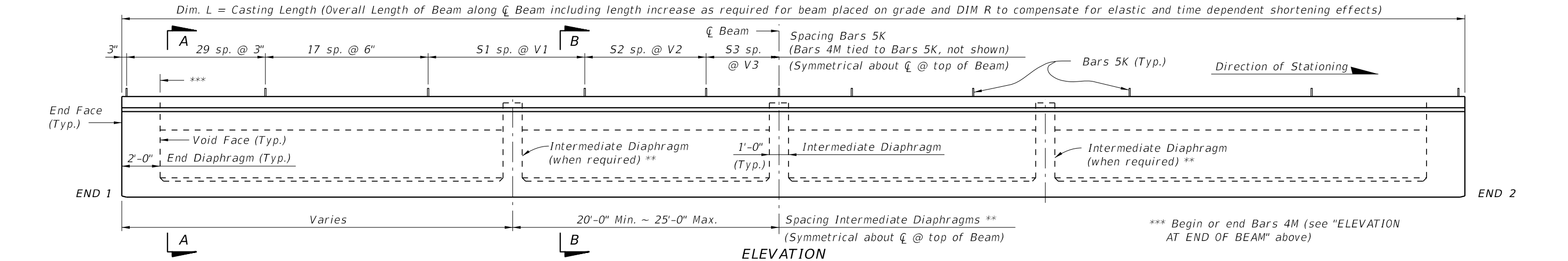
Bars 3D1 lap with Bars 3D2 and 5K as shown (Typ.)

1 1/2" Chamfer (Typ. bottom of bottom flange only)

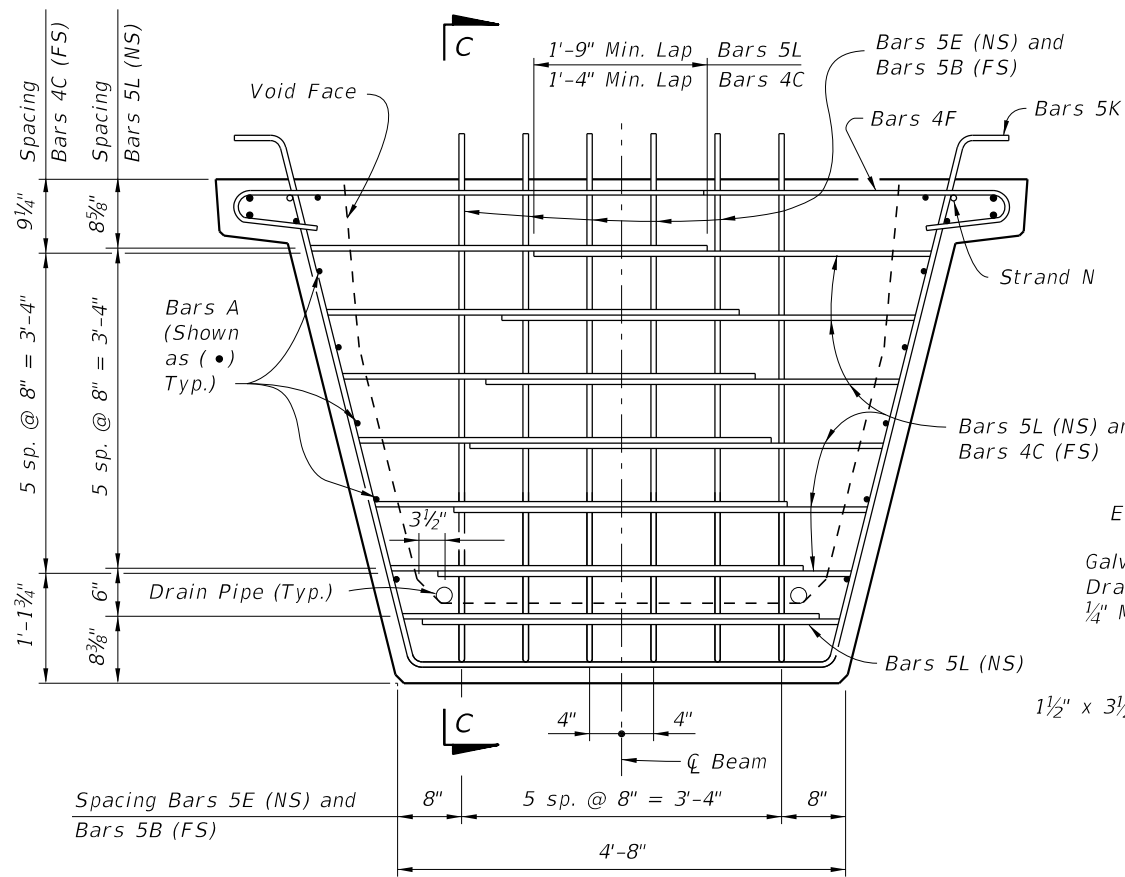
** Intermediate Diaphragms shall be provided:
 (1) - At midspan.
 (2) - At 25'-0" Max. from midspan when beam length (L) exceeds 70 Ft.

NOTES:
 Work this Index with Index No. 20210 - Typical Florida-U Beam Details and Notes and the Florida-U Beam - Table of Beam Variables in Structures Plans.
 For referenced notes see Index No. 20210.

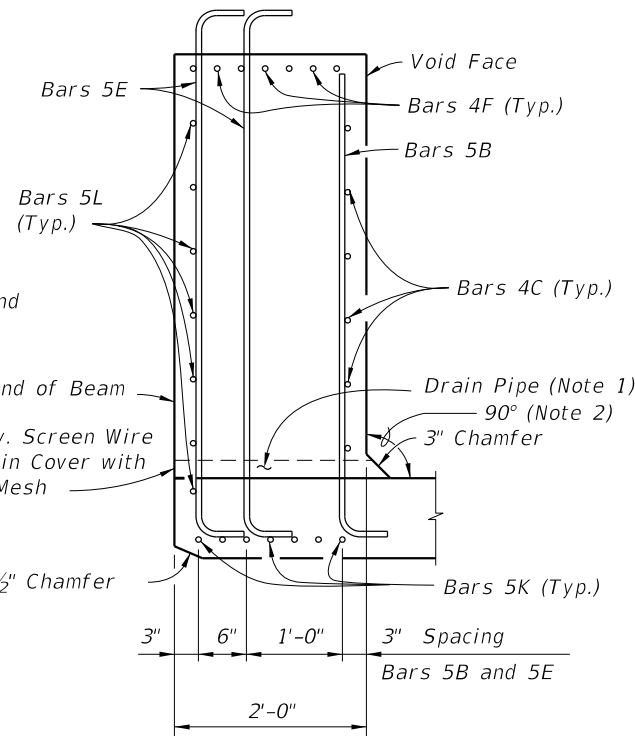
6/24/2015 7:12:42 AM



| | | | | | |
|---------------------------|--------------|--|---|---------------------------|----------------------------|
| LAST REVISION 07/01/12 | DESCRIPTION: | 2016 DESIGN STANDARDS | FLORIDA-U 63 BEAM - STANDARD DETAILS | INDEX NO. 20263 | SHEET NO. 1 of 3 |
|---------------------------|--------------|--|---|---------------------------|----------------------------|



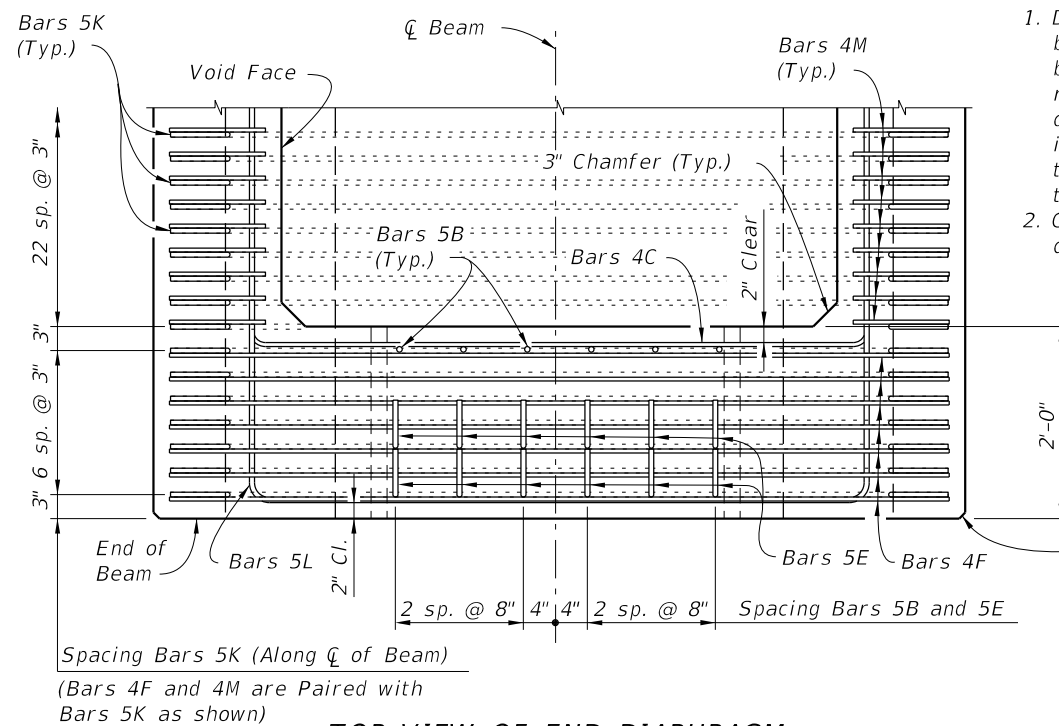
END VIEW AT END DIAPHRAGM



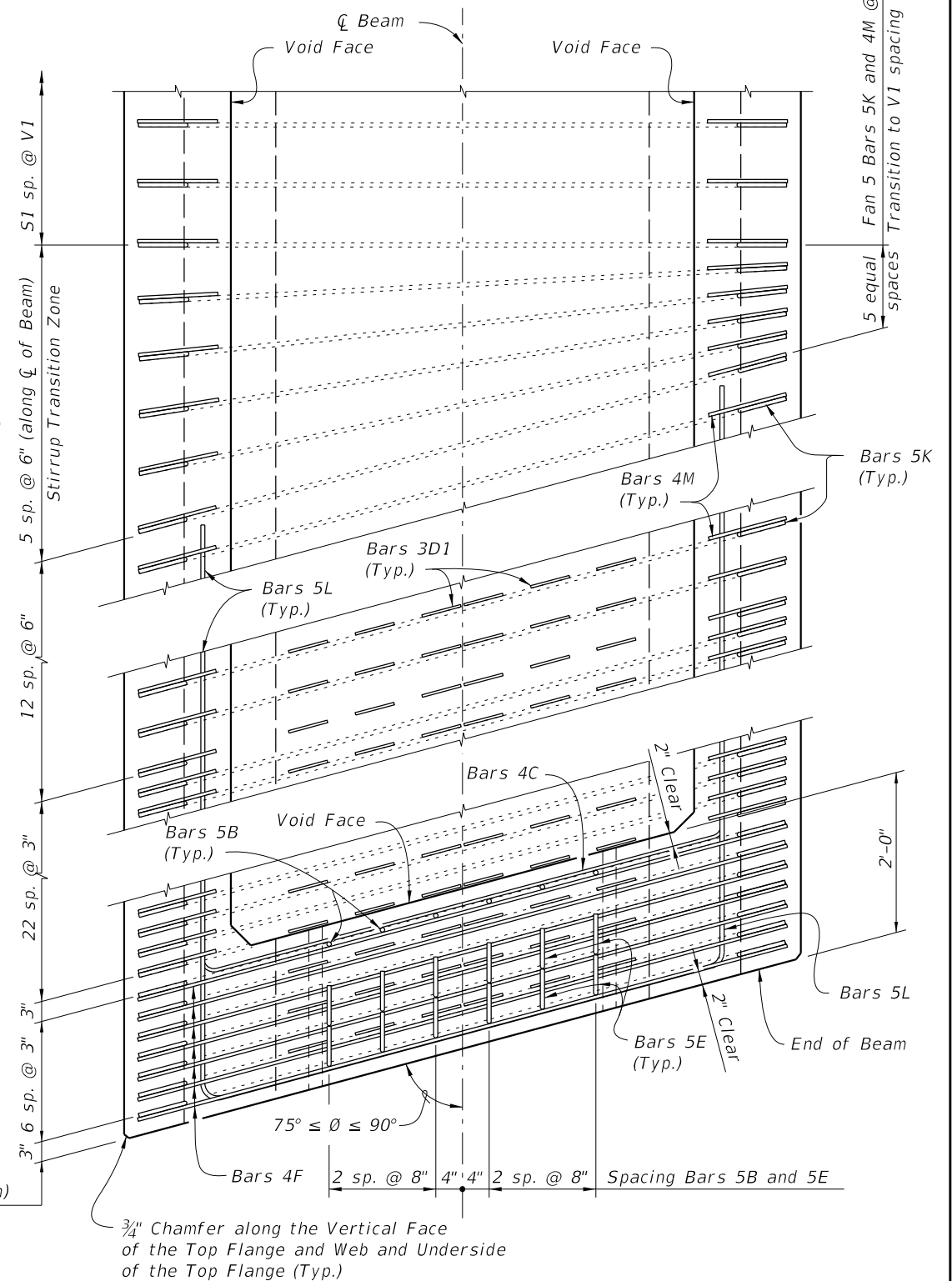
SECTION C-C

NOTES:

1. Drains shall be placed adjacent to each web at each beam end (four drains per beam). Drain Pipe shall be 2" Nominal Pipe Size, Schedule 80 PVC. Provide removable pipe plugs to prevent concrete entrance during beam casting. Plugs to be removed from the inside after casting. Galvanized screen wire shall cover the end of the pipe and bent down around the sides of the pipe, a minimum of 1" and secured prior to casting.
2. Concrete face may be sloped with a maximum 1:24 draft to facilitate formwork removal.



TOP VIEW OF END DIAPHRAGM
(Bars 3D1 And 3D2 Not Shown For Clarity)



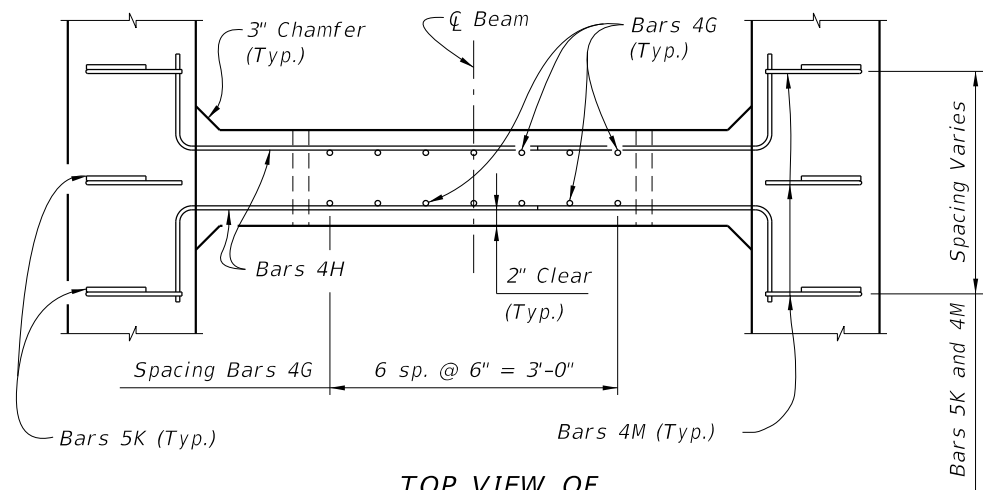
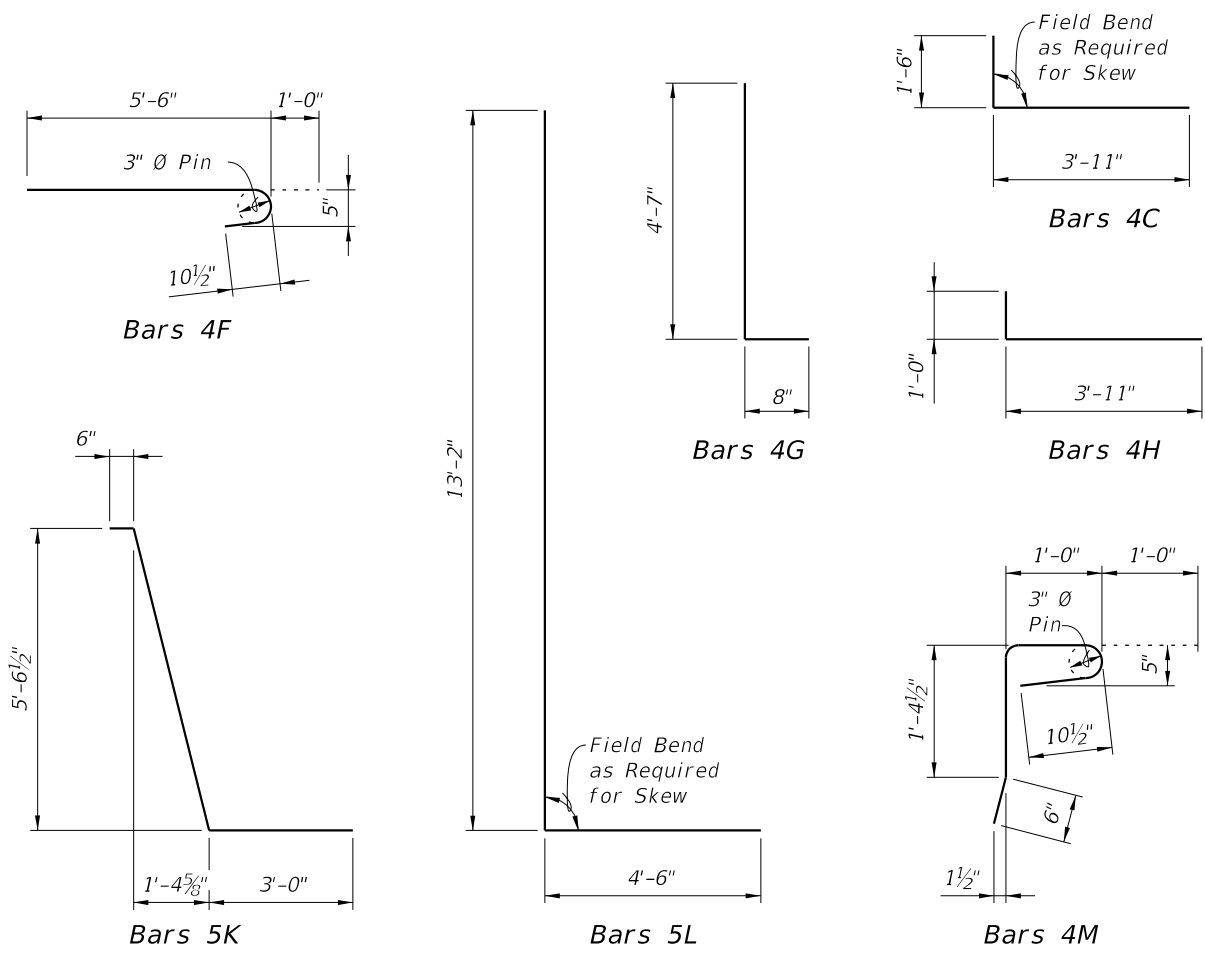
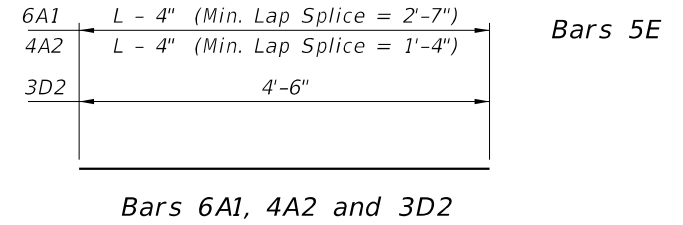
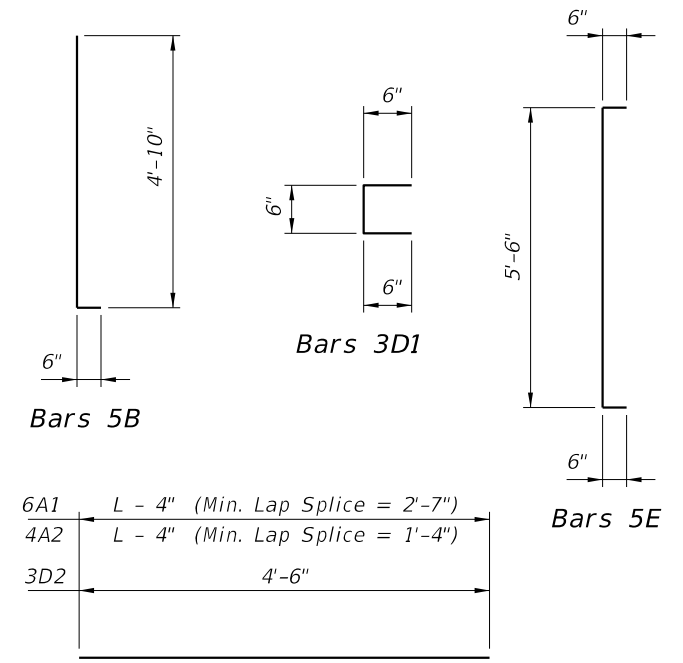
TOP VIEW OF SKEWED END DIAPHRAGM
AND STIRRUP TRANSITION ZONE
(Bars 3D2 Not Shown For Clarity)

6/24/2015 7:12:43 AM

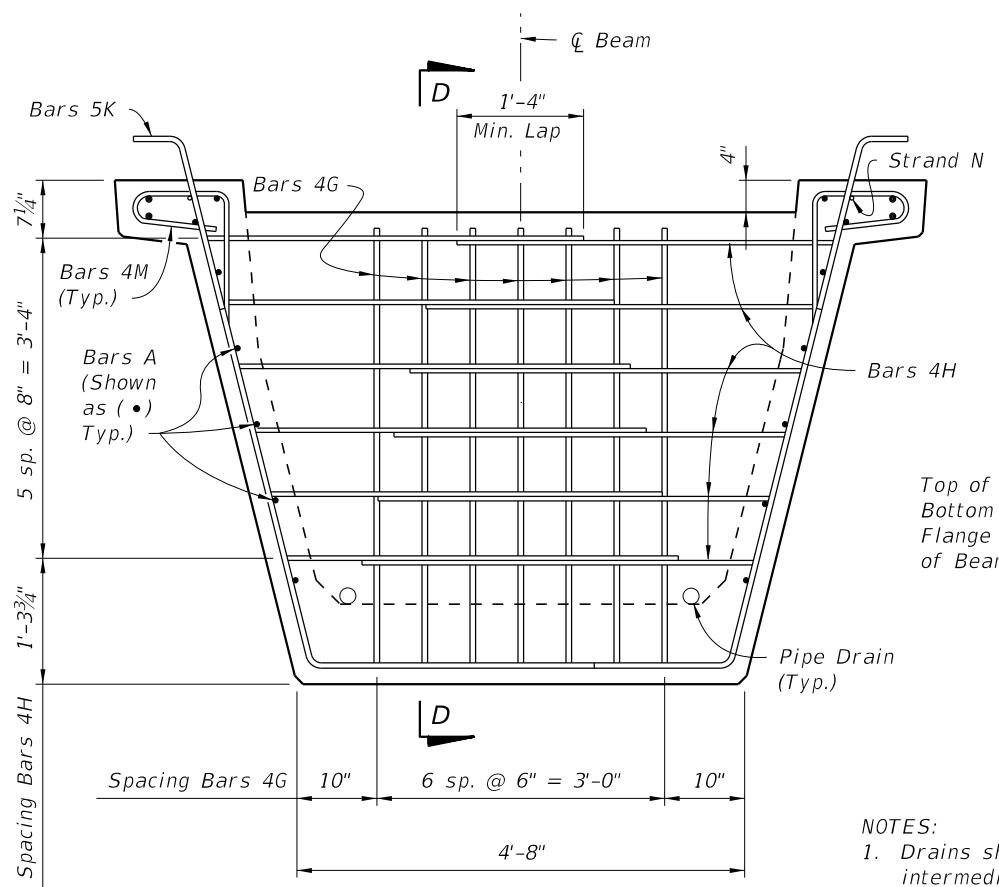
| | | | | | |
|---------------------------|--------------|-------------------------------------|---|---------------------------|----------------------------|
| LAST REVISION 07/01/05 | DESCRIPTION: | 2016 DESIGN STANDARDS | FLORIDA-U 63 BEAM - STANDARD DETAILS | INDEX NO. 20263 | SHEET NO. 2 of 3 |
|---------------------------|--------------|-------------------------------------|---|---------------------------|----------------------------|

BILL OF REINFORCING STEEL FOR ONE BEAM ONLY

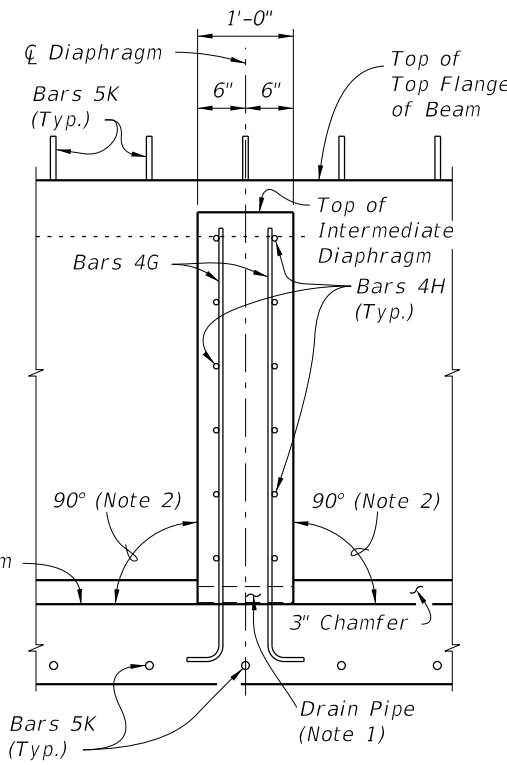
| MARK | SIZE | NO. REQD. | LENGTH |
|------|-------------|-----------|-------------|
| A1 | 6 | 4 | Dim. L - 4" |
| A2 | 4 | 12 | Dim. L - 4" |
| B | 5 | 12 | 5'-4" |
| C | 4 | 24 | 5'-5" |
| D1 | 3 | 204 | 1'-6" |
| D2 | 3 | 34 | 4'-6" |
| E | 5 | 24 | 6'-6" |
| F | 4 | 28 | 6'-6" |
| G | 4 | See Table | 5'-3" |
| H | 4 | See Table | 4'-11" |
| K | 5 | See Table | 9'-2½" |
| L | 5 | 28 | 17'-8" |
| M | 4 | See Table | 3'-11" |
| N | ¾" Ø Strand | 2 | Dim. L - 3" |



TOP VIEW OF INTERMEDIATE DIAPHRAGM



SECTION AT INTERMEDIATE DIAPHRAGM



SECTION D-D

- NOTES:
1. Drains shall be placed adjacent to each web at each intermediate diaphragm (two drains per intermediate diaphragm). Drain Pipe shall be 2" Nominal Pipe Size, Schedule 80 PVC. Provide removable pipe plugs to prevent concrete entrance during beam casting. Plugs to be removed from the inside after casting.
 2. Concrete face may be sloped with a maximum 1:24 draft to facilitate formwork removal.
 3. Intermediate diaphragms must be cast and concrete release strength obtained prior to removing beam from casting bed.

6/24/2015 7:12:44 AM

| | |
|---------------------------|--------------|
| LAST REVISION 01/01/11 | DESCRIPTION: |
|---------------------------|--------------|