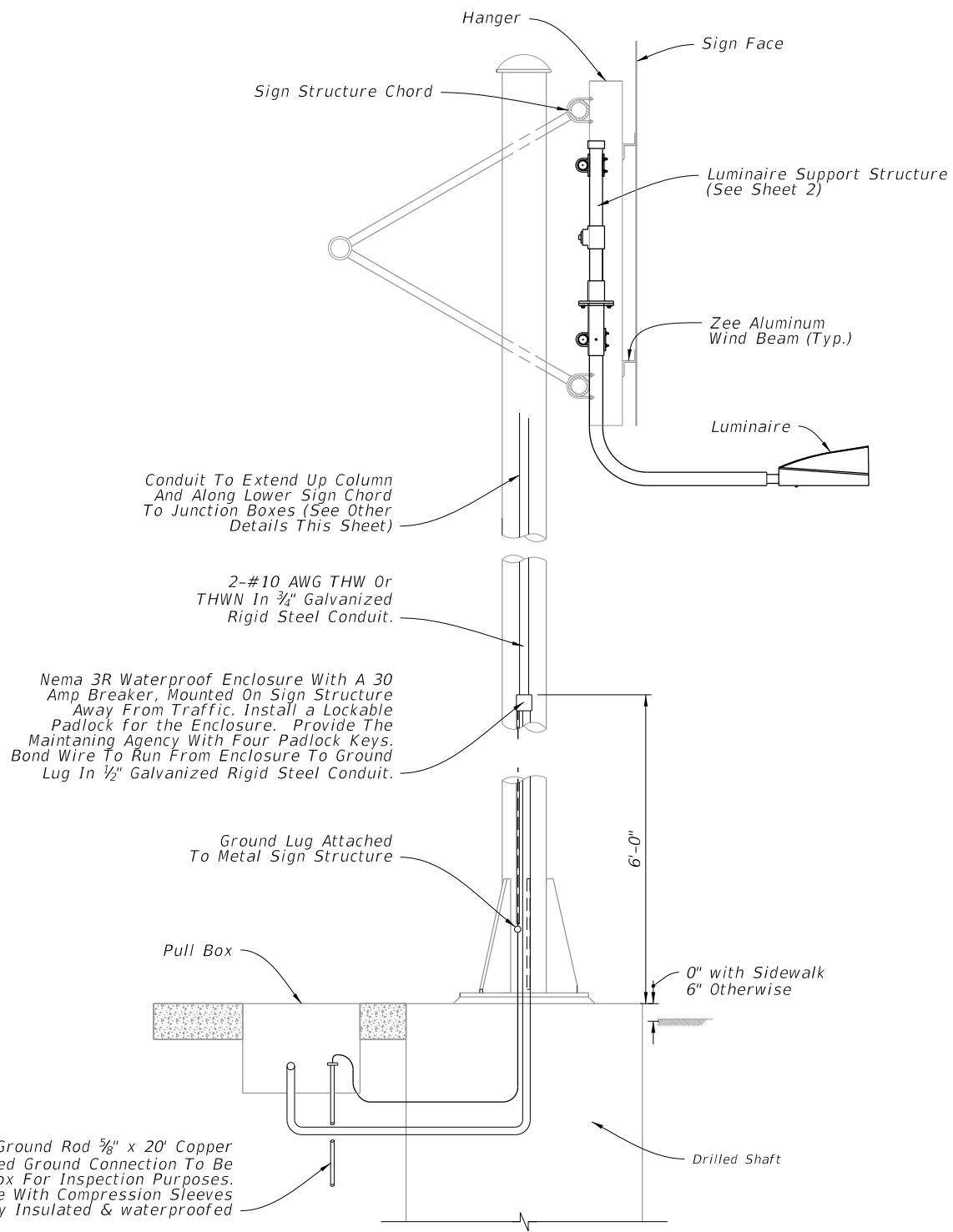
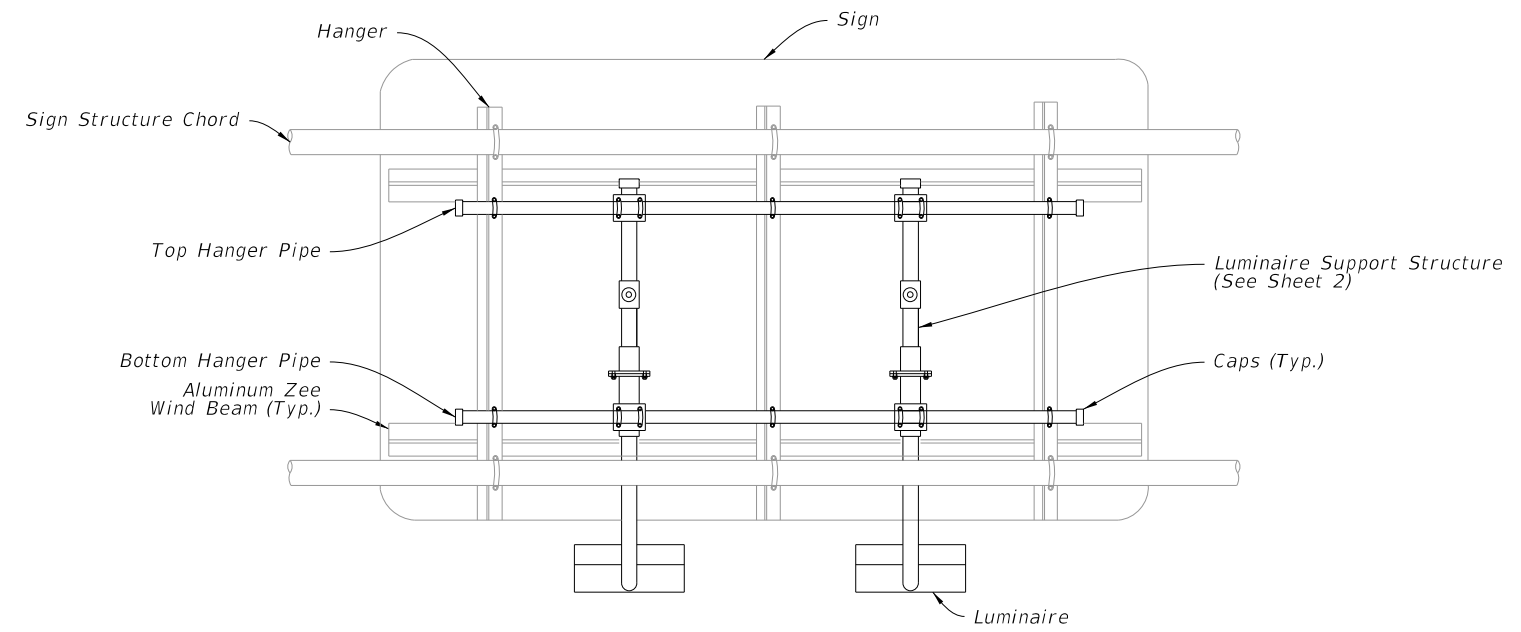


6/10/2015 9:45:48 AM



SIDE VIEW



BACK VIEW

PLACEMENT OF SIGN LIGHTS

1. This Index details a bottom luminaire support structures. For signs requiring top luminaire support structures, the detail can be reversed.
2. Luminaire spacing and arm length is shown on guide sign worksheet.
3. Guide sign worksheet indicates sign luminaire used for basis of design. The contractor may propose a different luminaire by submitting photometric calculations for each lighted sign for review.

SIGN LIGHTING INSTALLATION

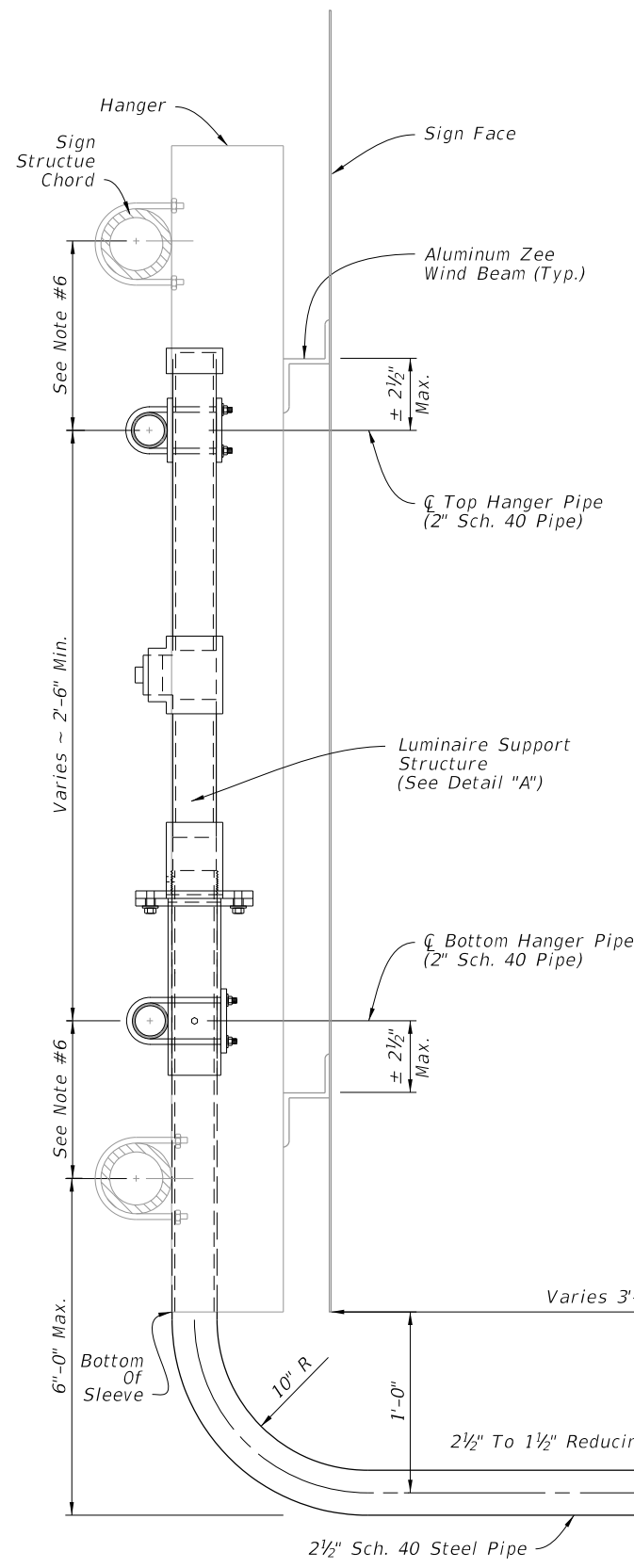
Roadway Lighting included in contract:

1. Power for the sign lighting provided from the roadway lighting circuit.
2. Indicate sign location and a pull box location for connection to the sign lights in the lighting plans.
3. Lighting contractor installs pull box and loop 2' of lighting circuit conductors in the pull box for connection by the signing contractor.
4. Signing contractor furnishes and installs the Luminaires, Nema 3R enclosure, 30 amp breaker, conduit, conductors and all other electrical equipment necessary for connection to the lighting circuit.

Roadway Lighting not included in contract:

1. Signing plans include the pay item numbers to furnish and install conduit, conductors, ground rods, pull boxes and service point equipment.
2. Signing plans indicate the location of the service point equipment and circuit runs.
3. Signing contractor provides all electrical equipment necessary for connection of the sign lights.

LAST REVISION 07/01/15	REVISION	DESCRIPTION:	 2016 DESIGN STANDARDS	EXTERNAL LIGHTING FOR SIGNS	INDEX NO. 17505	SHEET NO. 1 of 2
----------------------------------	----------	--------------	--	------------------------------------	---------------------------	----------------------------



LUMINAIRE SUPPORT STRUCTURE

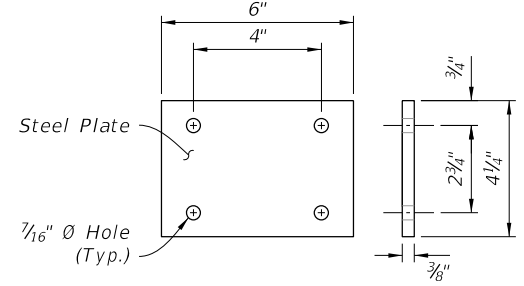
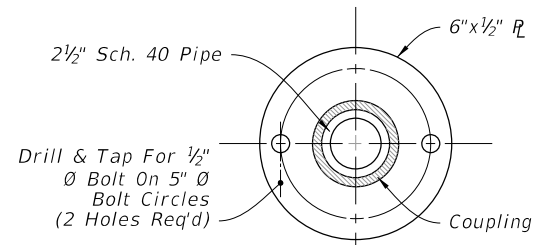
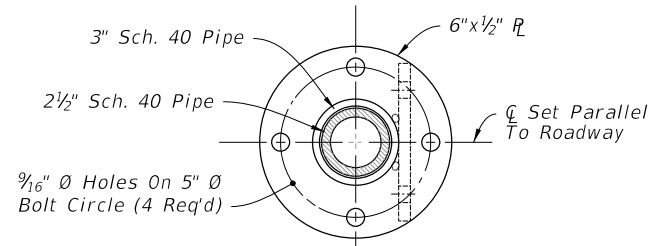


PLATE "A"

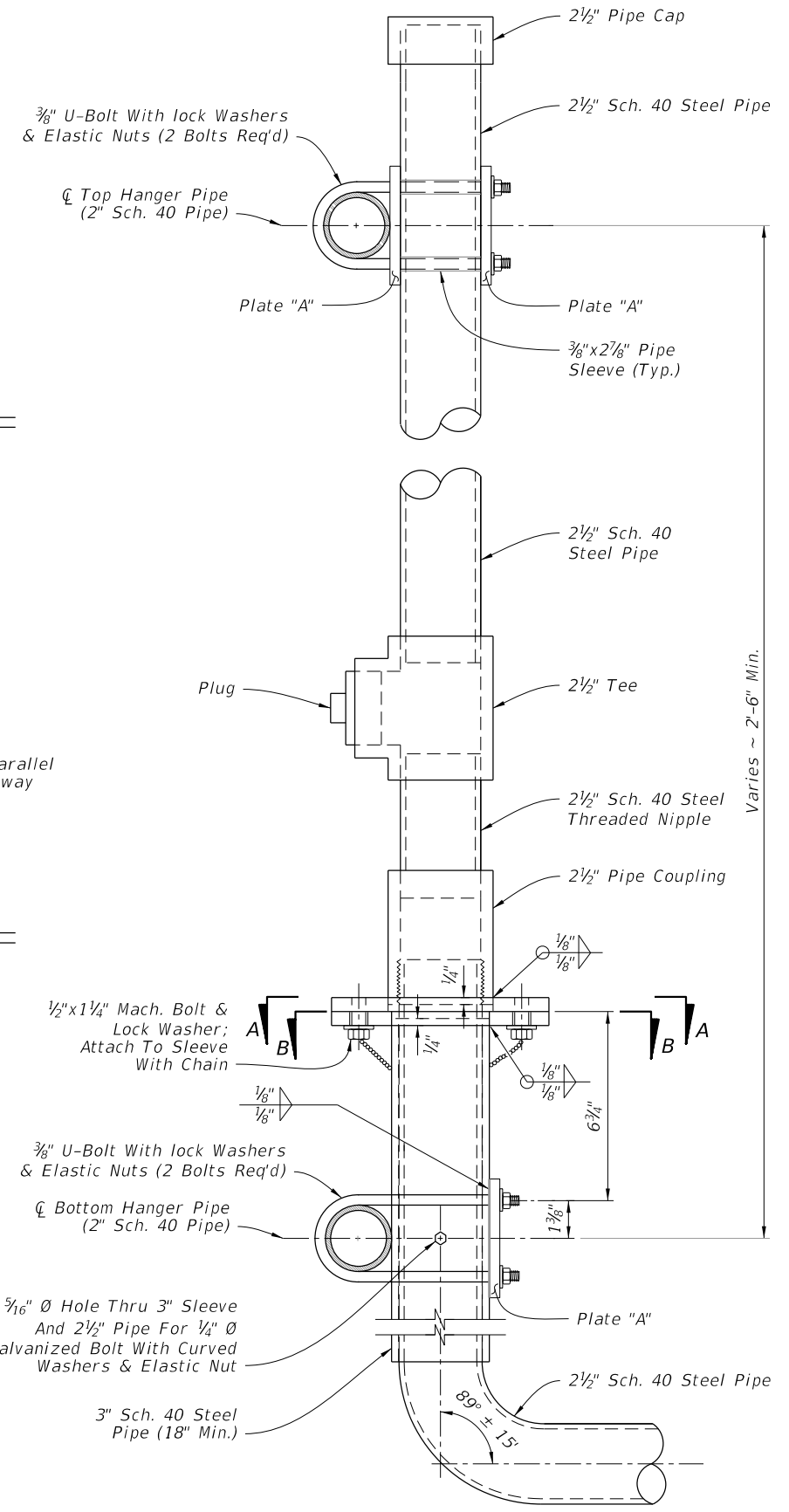


SECTION "AA"



SECTION "BB"

- NOTES**
1. Dimension to be established by type and make of luminaire to be purchased and used on the project.
 2. Install hanger pipe to each vertical beam crossed with a 3/8" U-Bolt, lock washers and hex nuts. Cap both ends of the horizontal pipe.
 3. Materials:
 Steel Pipe: ASTM A53 (Grade A or B)
 Steel Plate: ASTM A36
 Bolts: ASTM A307
 Hex Nuts: ASTM A563
 Washers: ASTM F436
 4. Coating: Hot-Dip Galvanize pipes, plates, structural shapes: ASTM A123, Fasteners and hardware: ASTM A153.
 5. All pipe dimensions are NPS.
 6. $\frac{\text{Chord O.D.} + 5"}{2}$ (Min.)



DETAIL "A"
(Luminaire Support Structure)

6/10/2015 9:45:49 AM

LAST REVISION 07/01/15	DESCRIPTION:	2016 DESIGN STANDARDS	EXTERNAL LIGHTING FOR SIGNS	INDEX NO. 17505	SHEET NO. 2 of 2
---------------------------	--------------	---------------------------------	------------------------------------	---------------------------	----------------------------