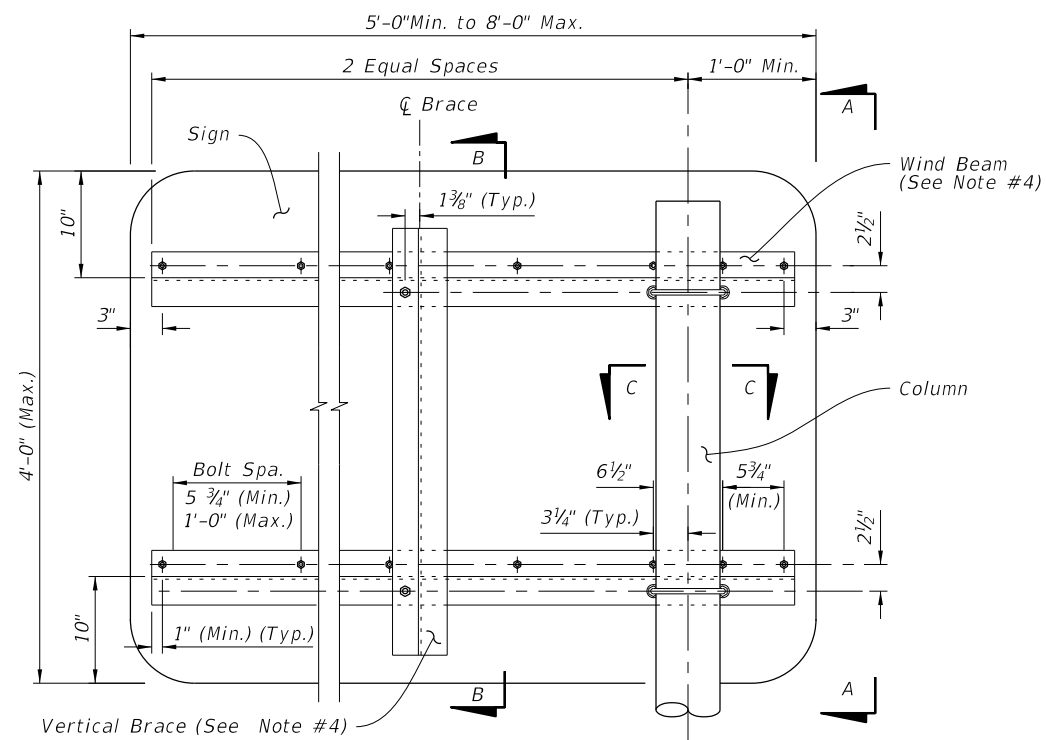


**GENERAL NOTES:**

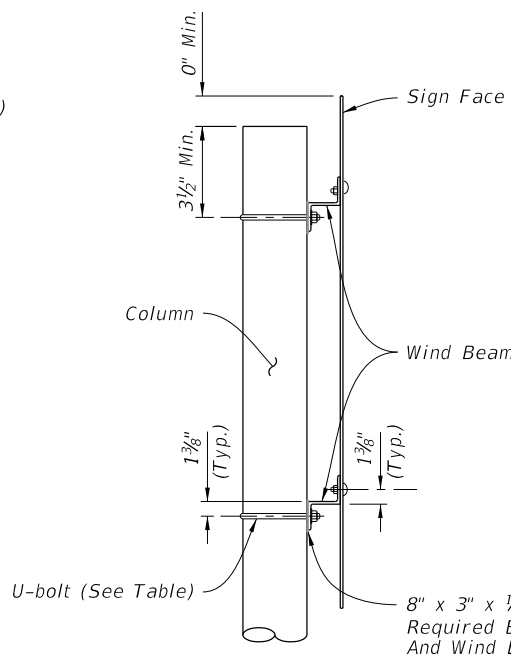
1. Refer to FDOT Design Standards Index No. 11860 for additional notes, assembly of base connection and material specifications not given in this Index.
2. Sleeve Bolts: ASTM A-307, 1/2" Ø galvanized steel bolt (with lock nuts) or ASTM B-211 Alloy 2024-T4 or 6061-T6.
3. Place galvanized steel shims between the Sleeve and Post to obtain a tight fit between the Post and Sleeve.
4. Wind Beam and Vertical Brace: Aluminum Z 3" x 2 1/16" x 3.38. Install Vertical Brace on 7'-0" to 8'-0" signs only.
5. Provide 2- 0.0149" Thick (28 gauge) and 2- 0.0329" Thick (21 gauge) Brass Shims Per Post. Used brass shims to plumb the post.

Sign Size Height x Length	Column Size Diameter x Thickness	Sleeve Size Diameter x Thickness	U-bolt Diameter	Base Bolt Diameter x Length	Torque lbs./in	Base Plate Thickness	Footing Depth
4'-0" x 5'-0"	4.5" x 0.337" (Schedule 80)	5.563" x 0.5" (Schedule 120)	1/2"	5/8" x 3 1/2"	270 ± 45	1"	6'-0"
4'-0" x 6'-0"							6'-6"
4'-0" x 7'-0"	5.563" x 0.375" (Schedule 80)	6.625" x 0.432" (Schedule 80)	5/8"	3/4" x 4"	445 ± 75	1 1/8"	6'-6"
4'-0" x 8'-0"							7'-0"

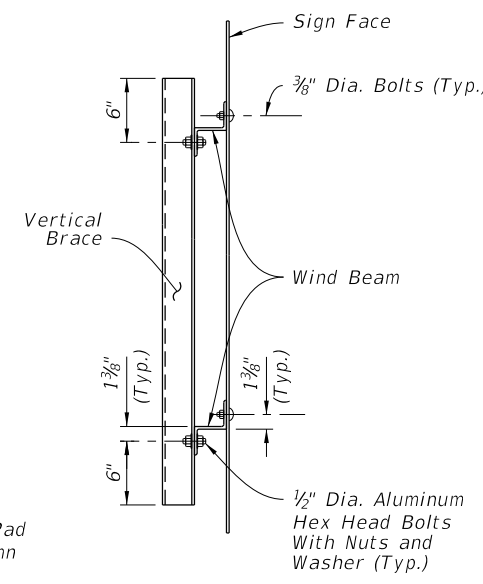
TYPICAL SECTION



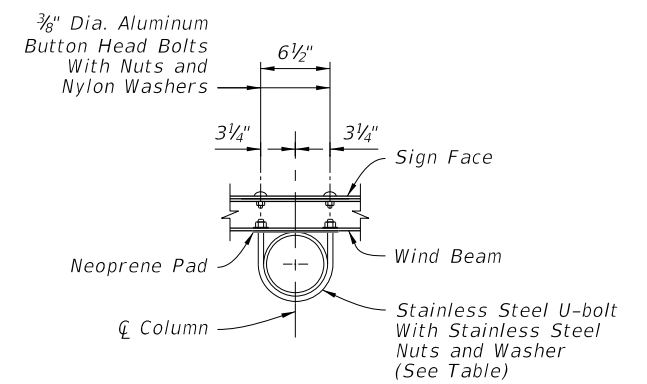
SIGN DETAIL



SECTION A-A



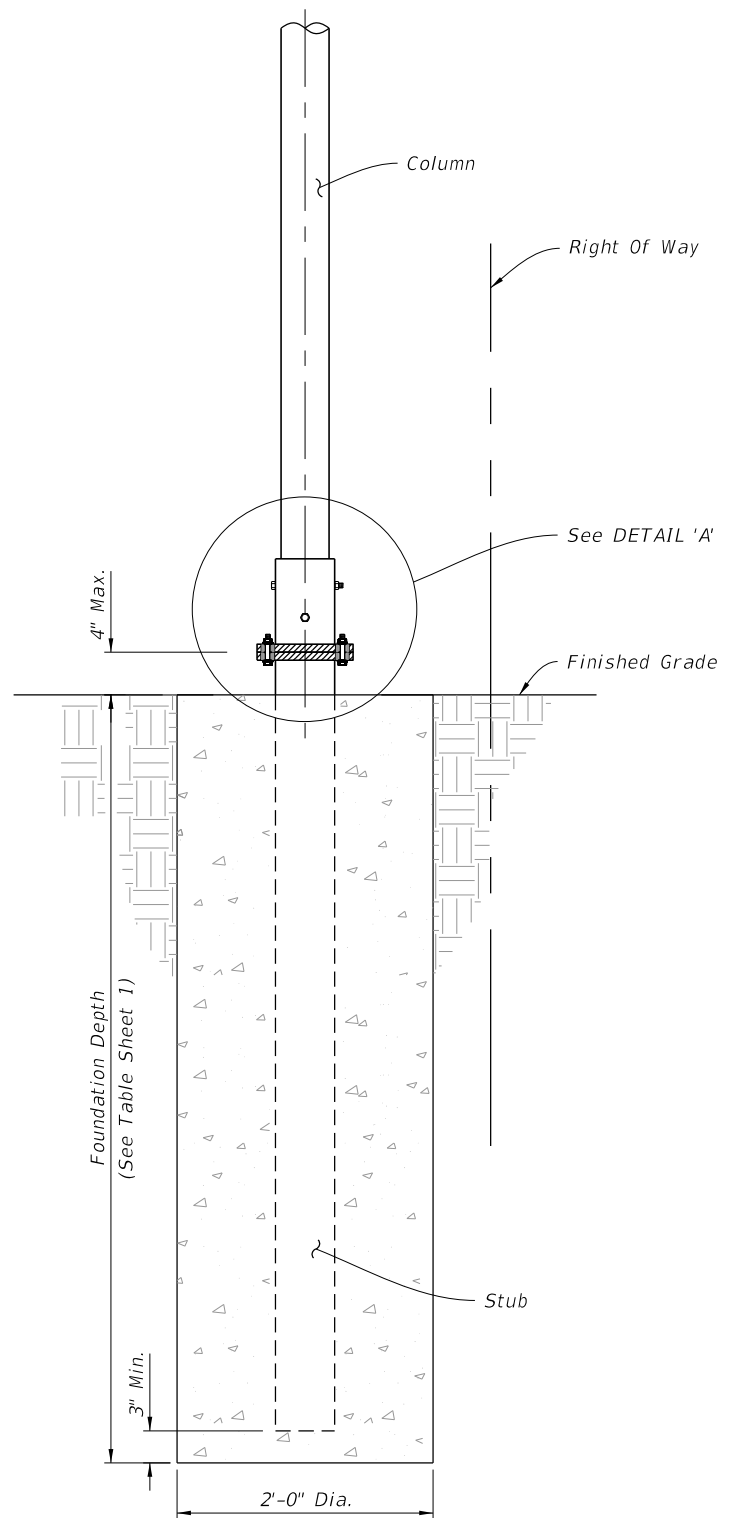
SECTION B-B



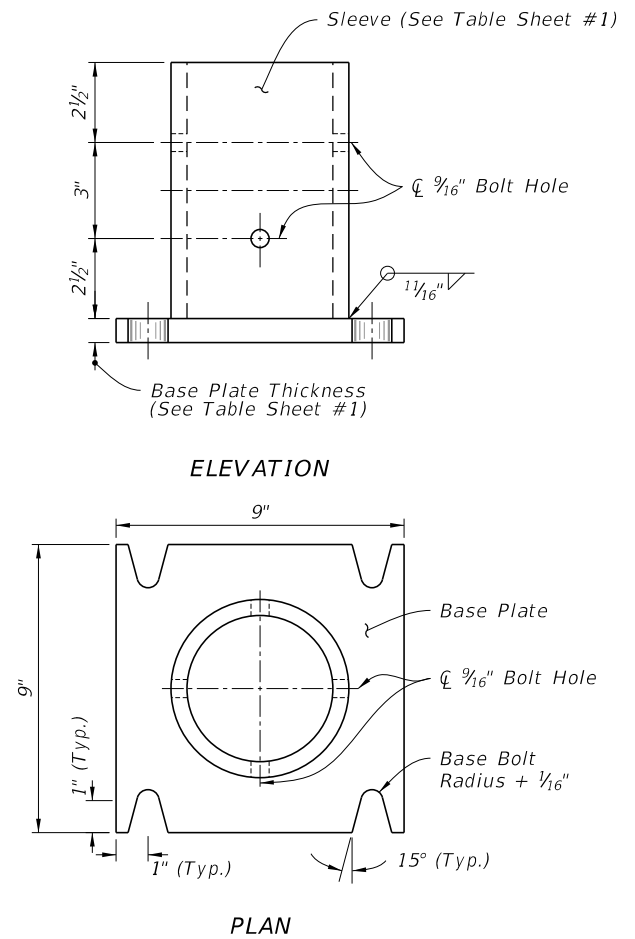
SECTION C-C

6/17/2015 1:15:54 PM

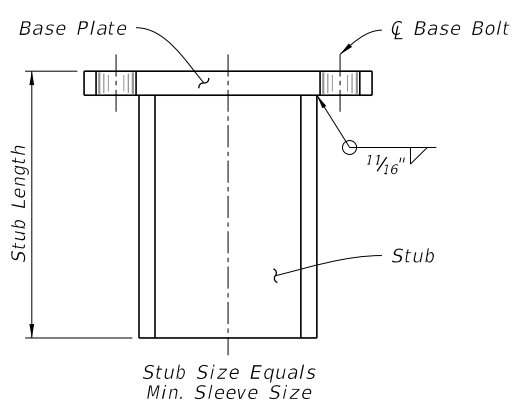
LAST REVISION	DESCRIPTION:
07/01/15	



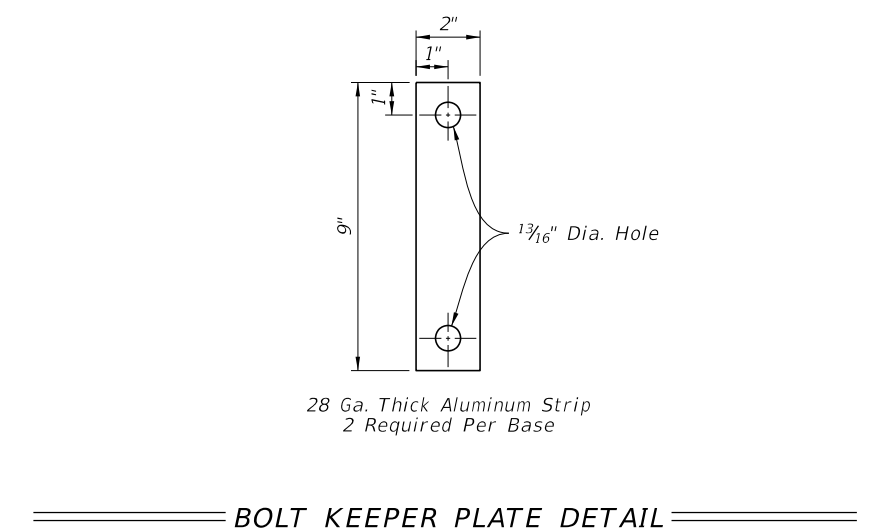
BASE AND FOUNDATION DETAIL



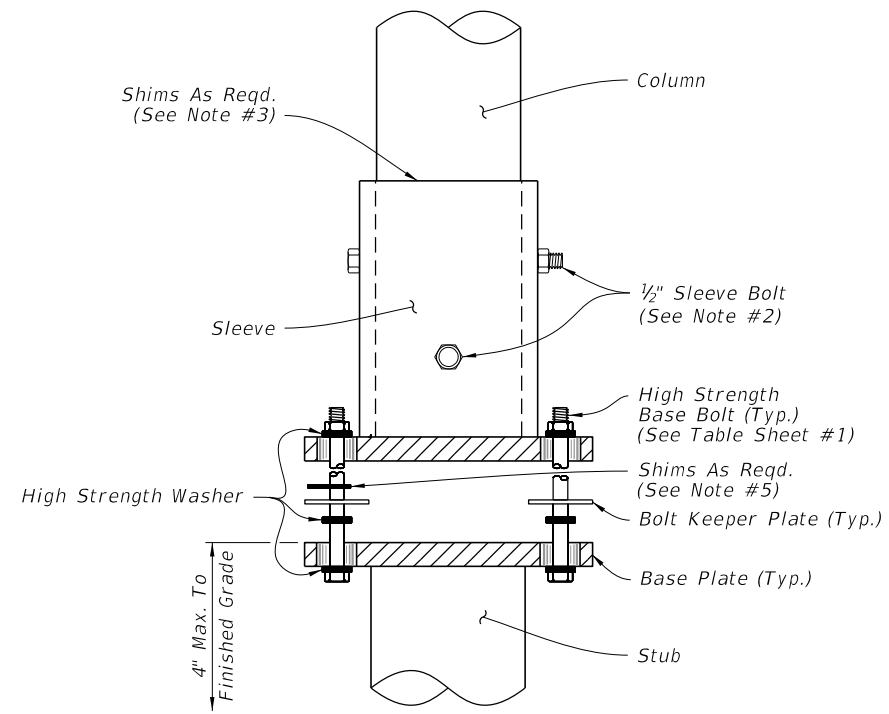
SLEEVE & BASE PLATE DETAILS



STUB DETAIL



BOLT KEEPER PLATE DETAIL



DETAIL 'A'

6/17/2015 1:15:55 PM

LAST REVISION 07/01/15	DESCRIPTION:
---------------------------	--------------