


NOTES

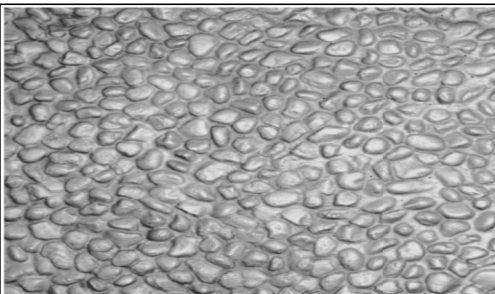
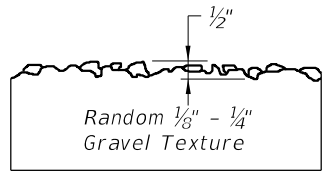

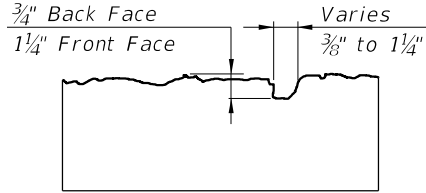
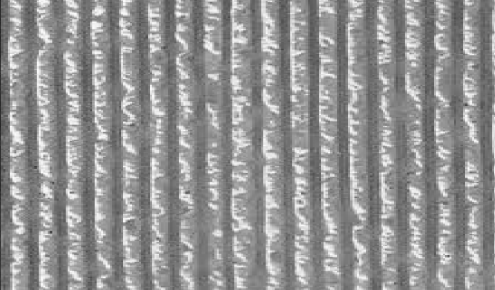
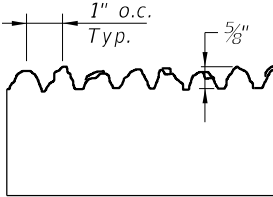
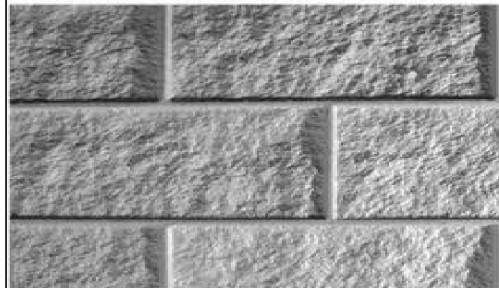
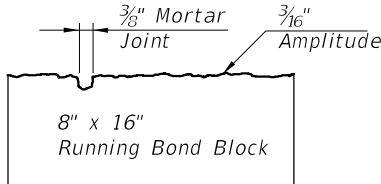
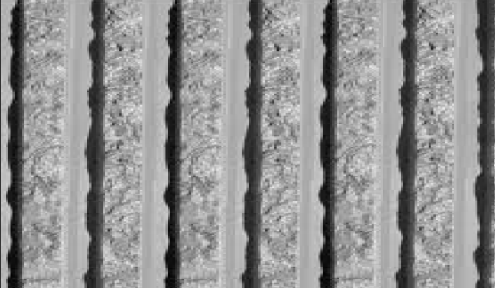
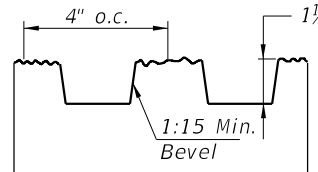
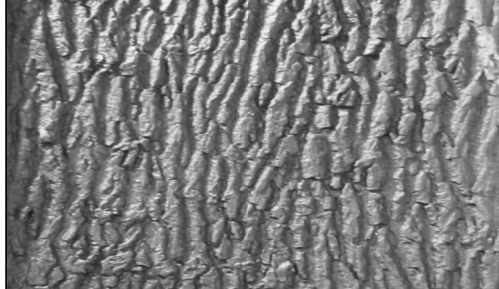
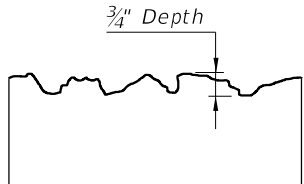

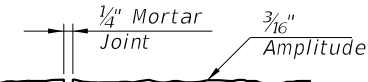
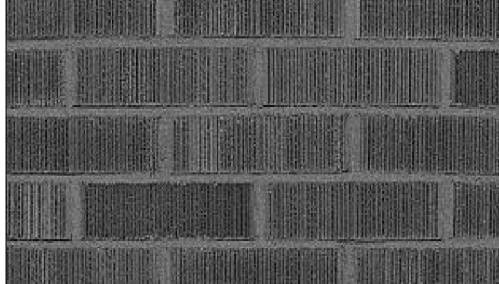
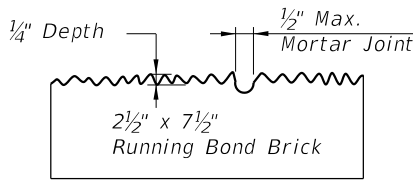
1. Work this Index with the Noise Wall Data Tables, and Wall Control Drawings in the Plans
2. Construct Noise Walls in accordance with the requirements of Specification Section 534, and Augers Cast Piles in accordance with Specification Section 455.
3. Field verify the location of all overhead and underground services shown in the Wall Control Drawings.
4. Wall Height is the nominal height of the walls above finished grade. The Wall Embedment Depth for design is 1'-0". The actual embedment depth may vary plus or minus 6" along the length of the wall.
5. Post Spacing in this Index are nominal, and are measured from centerline to centerline of the auger cast piles. Actual post spacing may vary as shown in the Wall Control Drawings.
6. Panels:
 - A. The sum of the individual stacked panel heights is the Wall Height plus 1'-0" (embedment depth).
 - B. Where special graphics are required, locate the horizontal panel joints outside of the graphics. Where possible, hold horizontal panel joints at a constant elevation.
 - C. Side Installed Panels are only permitted when reduced overhead clearance between posts prohibits installing panels from the top.
 1. For Flush Face panels, install panel into posts from the roadway (front face) of the wall. Recessed panels may be installed from the back face of the wall.
 2. After panels are installed and centered between posts, grout between both panel ends and the adjoining posts (see Sheets 4 and 5 for details).
 - D. Individual panel heights should be between 6'-0" and 12'-0" tall. The minimum panel height is 4'-0" and may be used where overhead clearance is limited, or where graphic panels are required on shorter walls.
7. Concrete And Grout:
 - A. Concrete Class and Compressive Strength for:
 1. Precast Panels, Posts, and Post caps: Class IV ($f_c' = 5500$ psi)
 2. Cast-In-Place Collars: Class IV ($f_c' = 5500$ psi)
 - B. Minimum Compressive Strength for form removal and handling of posts and panels:
 1. 2,500 psi for horizontally cast post and panels
 2. 2,000 psi for vertically cast panels or when tilt-up tables are used for horizontally cast panels.
 - A. Grout for Auger Cast Piles:
 1. Maximum Working Compressive Strength = 2,000 psi
 2. Minimum 28 day strength = 5,000 psi
8. Reinforcing Steel:
 - A. In addition to the requirements of Specification Section 415, tie post and pile stirrups at the following locations as a minimum:
 1. Post Stirrups Tie at all four corner bars and at every third interior bar intersection.
 2. Pile Stirrups Tie to the main vertical reinforcing at alternate intersections for circular configurations and at the four corners and at every third interior bar intersection for rectangular configurations.
 - B. Provide 2" concrete cover unless noted otherwise.
9. Casting Tolerances for precast panels and posts:
 - A. Overall Height and Width: $\pm 1/4"$
 - B. Thickness: $\pm 1/4"$
 - C. Plane of side mold: $\pm 1/16"$
 - D. Openings: $\pm 1/2"$
 - E. Out of Square: $1/8"$ per 6 ft., but not more than $3/8"$ total along any side
 - F. Warping: $1/16"$ per foot distance to nearest corner
 - G. Bowing: $1/240$ panel dimension
 - H. Surface Smoothness for Type "A" Smooth Surface Texture Option: $\pm 1/16"$
10. Provide Fiber Reinforced Neoprene pads with a Durometer Hardness between Grade 50 and 80; or Plain Neoprene Pads with a minimum Durometer Hardness of Grade 50 in accordance with Specification Section 932.
 - A. For Collar Bearing Points provide:
 1. 4"x 4"x $1/2"$ Fiber Reinforced Pads;
 2. Plain Pads with a may be substituted for Fiber Reinforced Pads when sufficient bearing area is available on the concrete collar for the following:
 - a. 10' Post Spacing: 4"x 4"x $1/2"$
 - b. 20' Post Spacing and Wall Height < 17 feet: 4"x 4"x $1/2"$
 - c. 20' Post Spacing and Wall Height ≥ 17 feet: 4"x 5"x $1/2"$
 - B. At panel bearing points between stacked panels, use Plain or Fiber Reinforced Neoprene Pads.

6/24/2015 6:51:01 AM

GENERAL NOTES

LAST REVISION 07/01/15	REVISION	DESCRIPTION:	 2016 DESIGN STANDARDS	PRECAST NOISE WALLS	INDEX NO. 5200	SHEET NO. 1 of 16
---------------------------	----------	--------------	---	---------------------	-------------------	----------------------

6/24/2015 7:57:46 AM

	<p>Type "A" SMOOTH</p>		<p>Type "F" PEA GRAVEL</p> 								
	<p>Type "B" ASHLAR STONE</p> 		<p>Type "G" VERTICAL FRACTURED FIN</p> 								
	<p>Type "C" SPLIT FACE RUNNING BOND BLOCK</p> 		<p>Type "H" TRAPEZOID VERTICAL FINNS W/ FRACTURED FACE (COLORADO DRAG AGGREGATE)</p> 								
	<p>Type "D" FRACTURED GRANITE</p> 		<p>Type "I" CUT CORAL BLOCK (RUNNING BOND)</p>  <p>Running Bond Block:</p> <table border="1" data-bbox="2206 1257 2660 1378"> <tr> <td>12" x (12", 14", 16" & 12")</td> <td>(1st course)</td> </tr> <tr> <td>6" x (21", 10" & 23")</td> <td>(2nd course)</td> </tr> <tr> <td>12" x (9", 10", 21" & 14")</td> <td>(3rd course)</td> </tr> <tr> <td>6" x (16", 14" & 24")</td> <td>(4th course)</td> </tr> </table>	12" x (12", 14", 16" & 12")	(1st course)	6" x (21", 10" & 23")	(2nd course)	12" x (9", 10", 21" & 14")	(3rd course)	6" x (16", 14" & 24")	(4th course)
12" x (12", 14", 16" & 12")	(1st course)										
6" x (21", 10" & 23")	(2nd course)										
12" x (9", 10", 21" & 14")	(3rd course)										
6" x (16", 14" & 24")	(4th course)										
	<p>Type "E" WIRE-CUT BRICK</p> 	<p>NOTES:</p> <ol style="list-style-type: none"> Surfaces shall be formed, rolled, or pressed using form liners in accordance with the Plans and Specifications for Class 3 Surface Finish. See Noise Wall Data Tables for project aesthetic requirements. 									

TEXTURE OPTIONS

LAST REVISION
07/01/13

REVISION

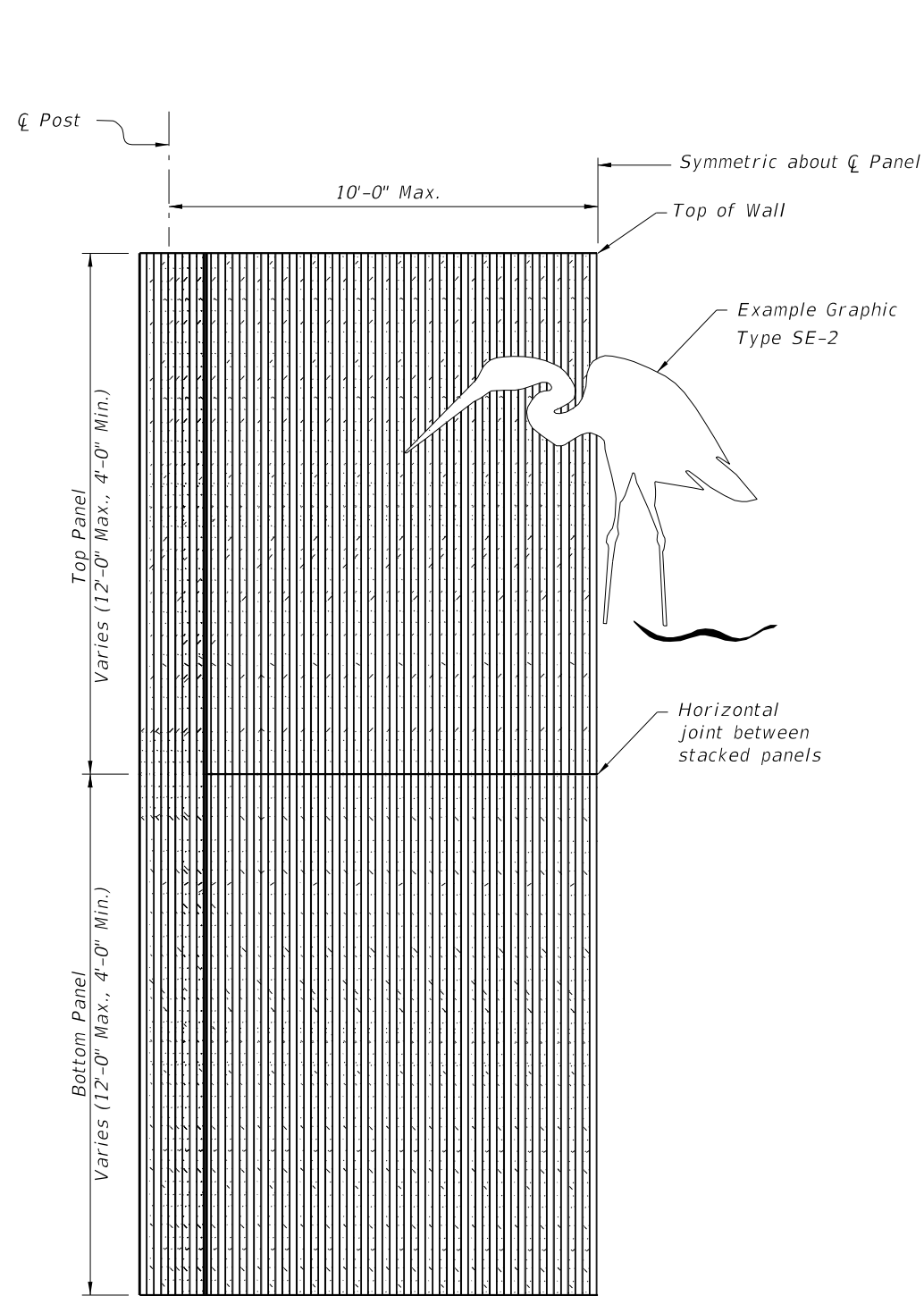
DESCRIPTION:

FDOT 2016 DESIGN STANDARDS

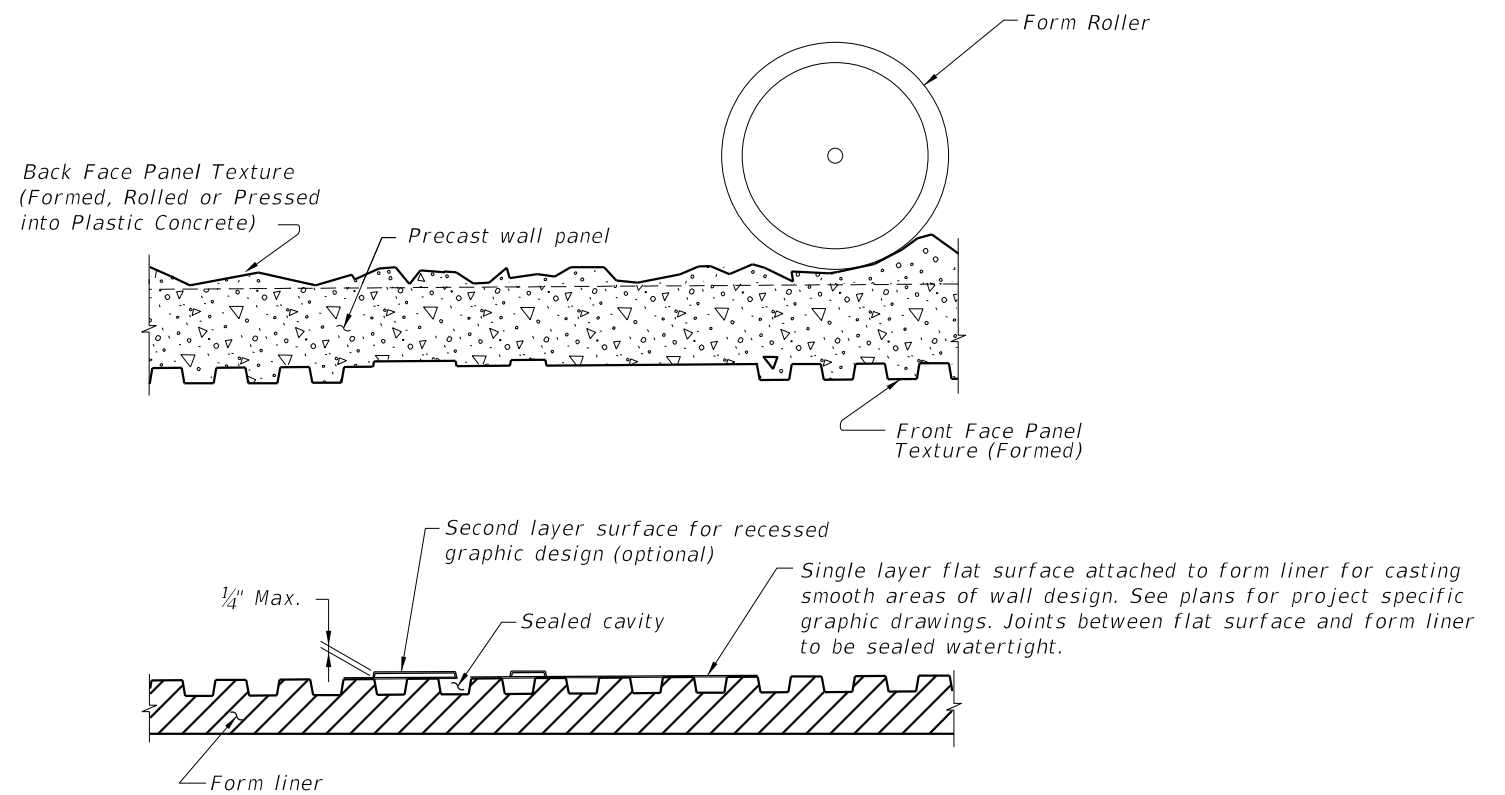
PRECAST NOISE WALLS

INDEX NO.
5200

SHEET NO.
2 of 16



HALF ELEVATION
 (Front Face Post and Panel Texture Type "H" shown)
 (Graphic Type SE-2 shown)
 (Two stacked panels shown, three stacked panels similar)



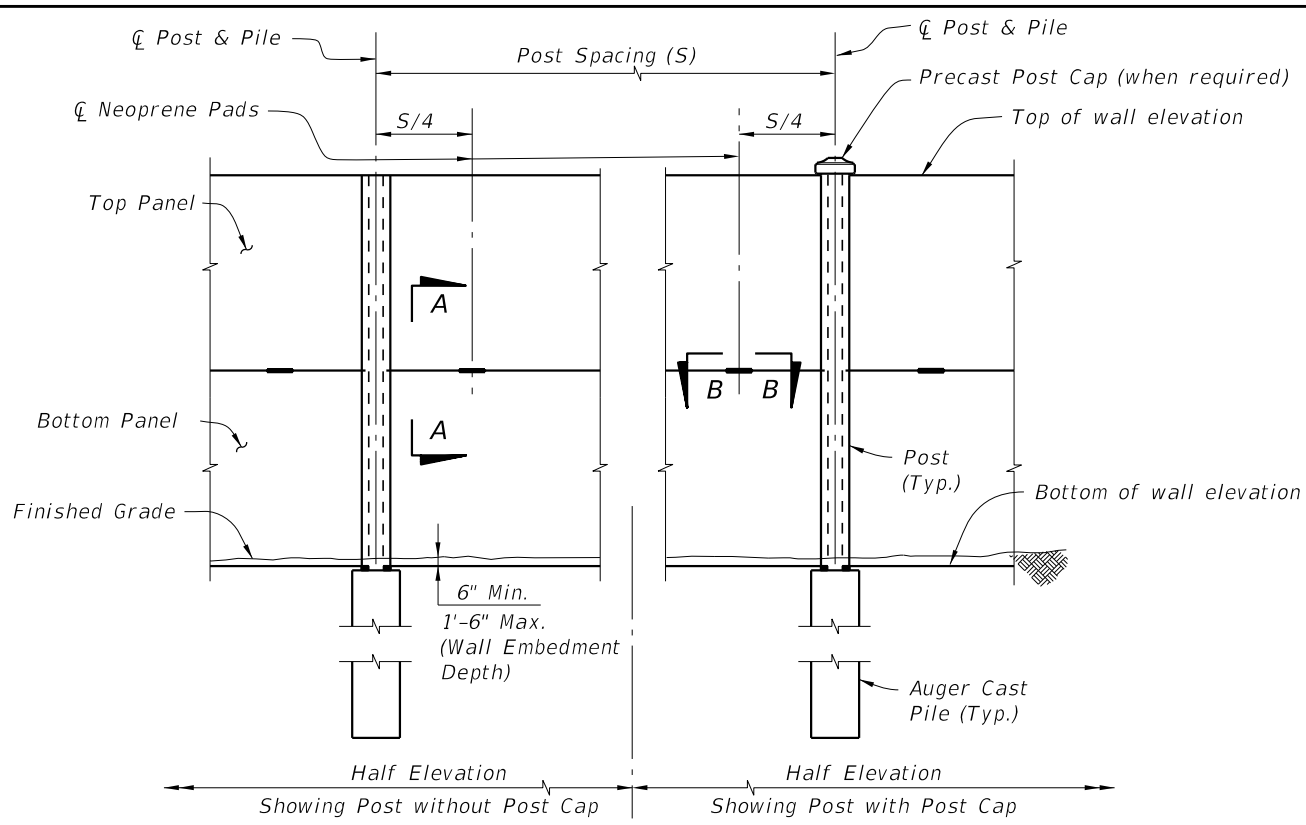
TYPICAL FORMING DETAIL
 (Front Face Panel Texture Type "H" shown)
 (Back Face Panel Texture Type "D" shown)
 (Post Forming Details Similar)

NOTES:

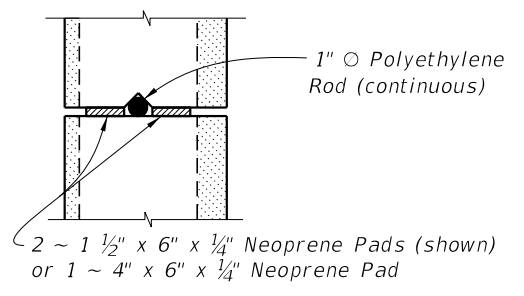
1. Submit specific form liner samples for approval by the Engineer.
2. Textures and graphics shown are for demonstration purposes only. See Noise Wall Data Tables in the plans for project specific texture and graphic requirements.

6/24/2015 6:51:02 AM

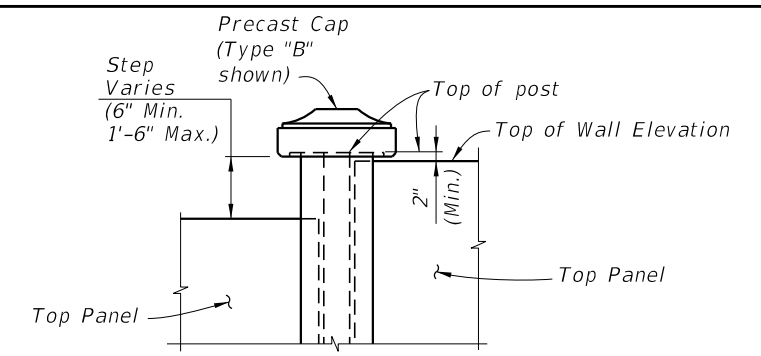
LAST REVISION 07/01/14	REVISION	DESCRIPTION:
---------------------------	----------	--------------



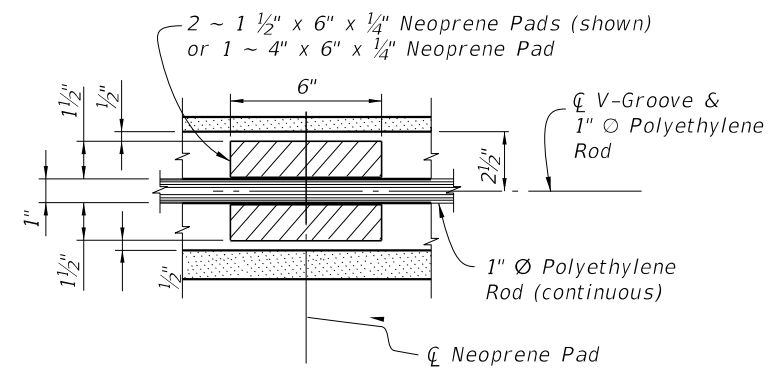
TYPICAL ELEVATION



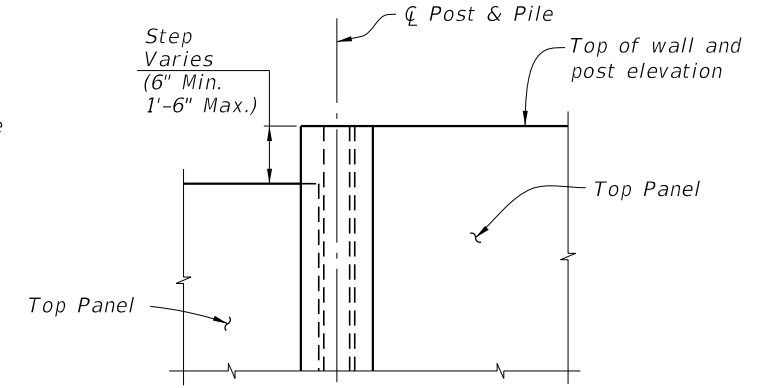
SECTION A-A



WITH POST CAP

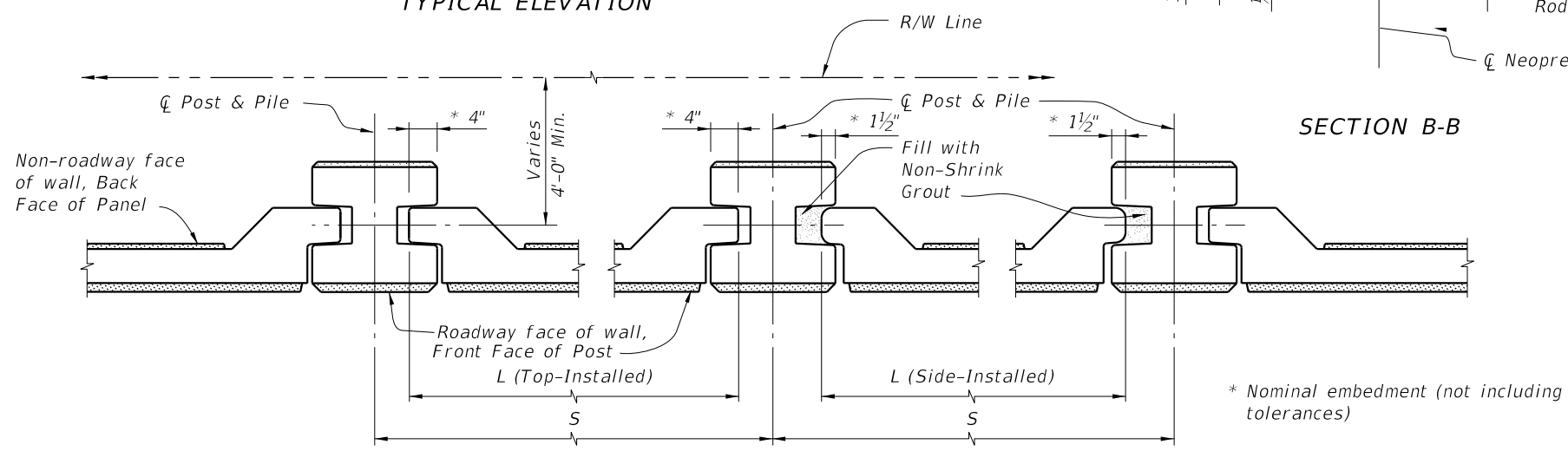


SECTION B-B

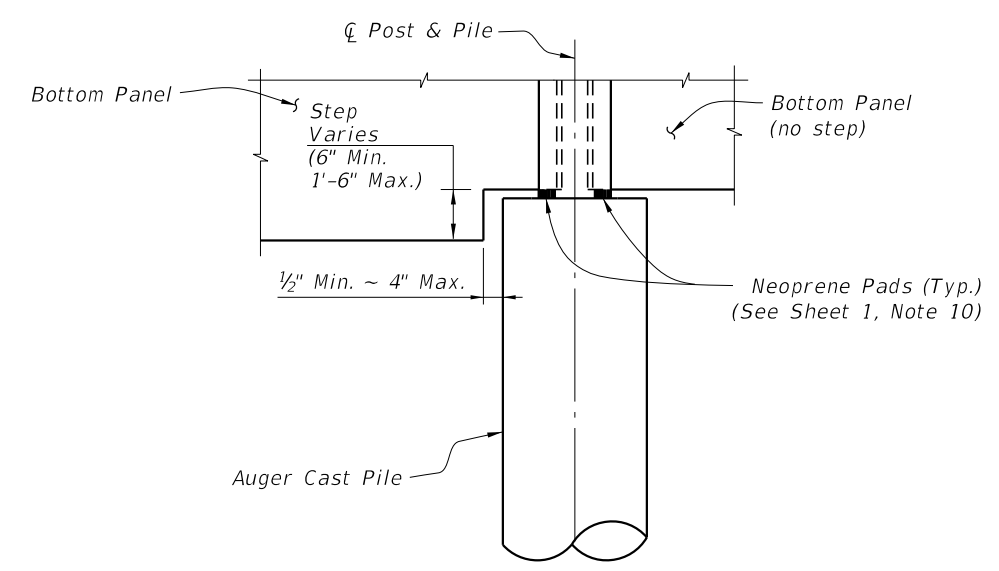


WITHOUT POST CAP

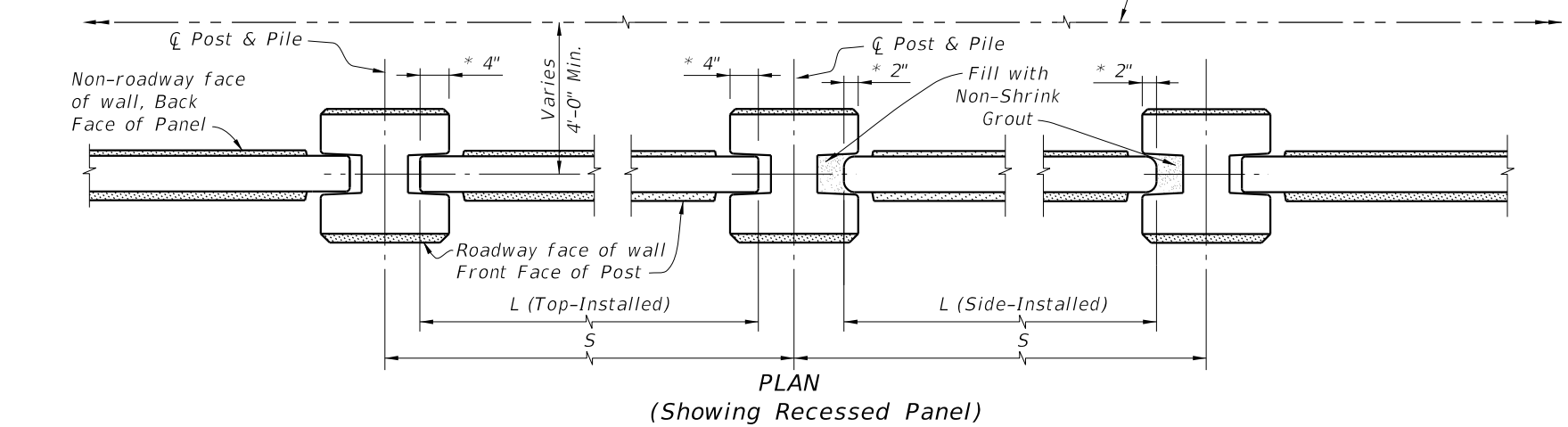
ELEVATION STEP AT TOP OF WALL



PLAN (Showing Flush Panel)



ELEVATION STEP AT BOTTOM OF WALL



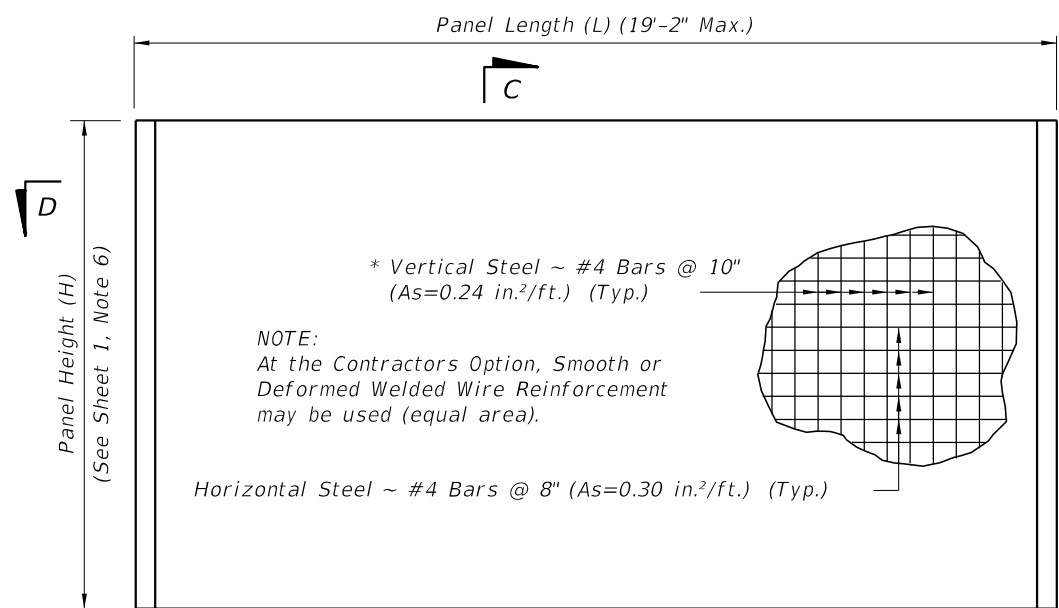
PLAN (Showing Recessed Panel)

Note:
See the plans for required post spacings (S).

TYPICAL DETAILS

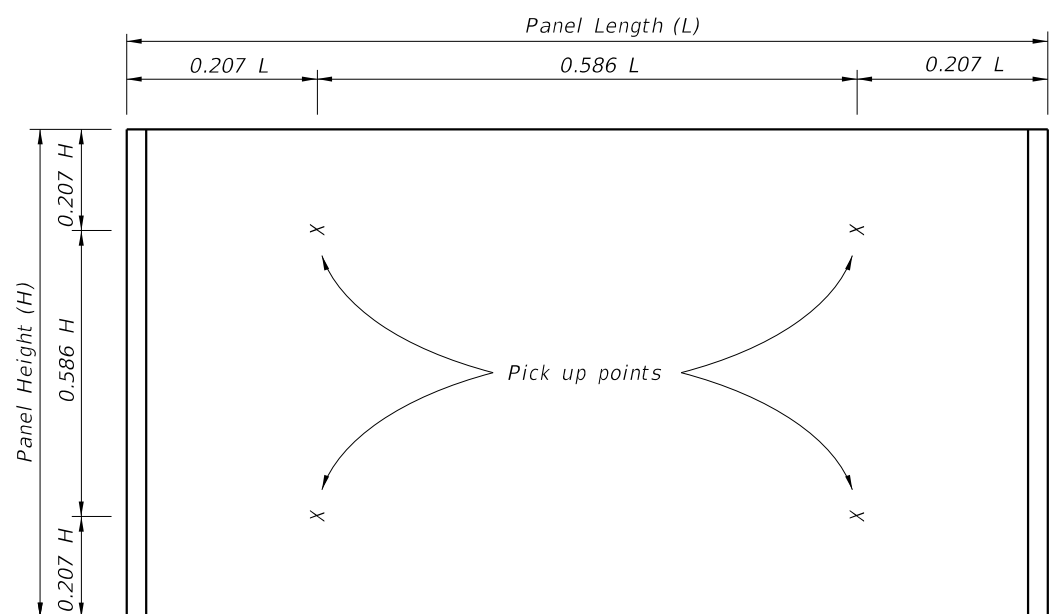
6/24/2015 6:51:03 AM

LAST REVISION 07/01/15	REVISION	DESCRIPTION:	 2016 DESIGN STANDARDS	PRECAST NOISE WALLS	INDEX NO. 5200	SHEET NO. 4 of 16
---------------------------	----------	--------------	------------------------------	---------------------	-------------------	----------------------

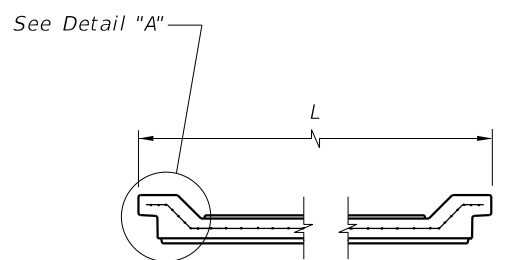


TYPICAL PANEL ELEVATION

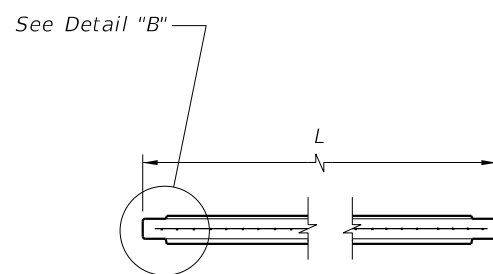
* In lieu of utilizing the standard pick up points below, panels may be cast vertically or cast horizontally then tilted upright using tilt-tables prior to lifting from form. In this case, pick points must be placed in the top of panels only and transported maintaining the vertical orientation. If these criteria are met, the vertical steel may be reduced to #4 Bars @ 1'-3" (As=0.16 in.²/ft.).



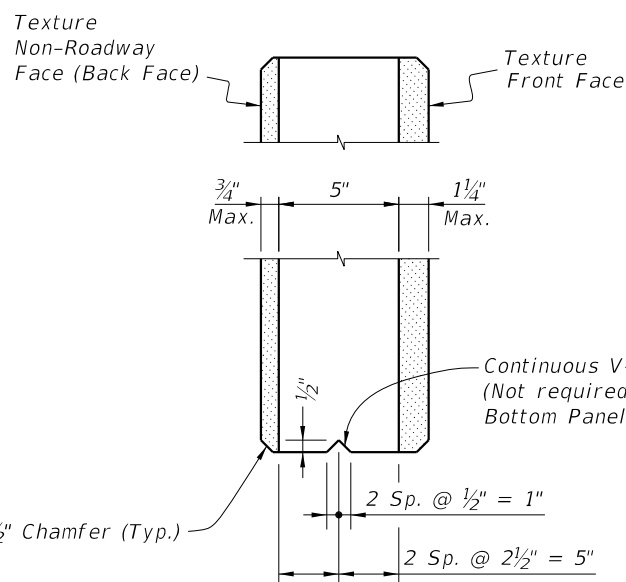
STANDARD PICK UP POINTS FOR PANELS
(Panels shall be rotated about long axis only)



SECTION D-D
(Showing Flush Type Panel)

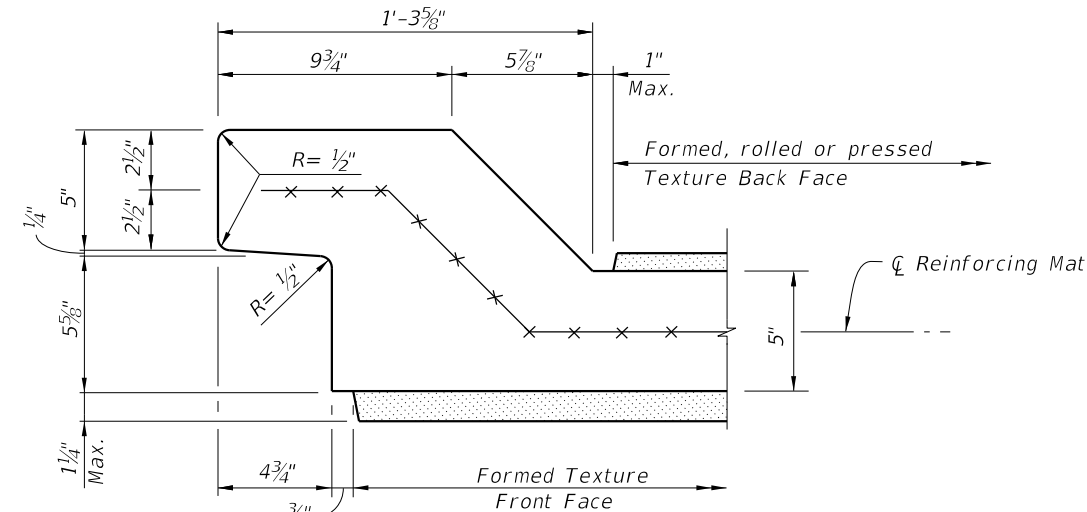


SECTION D-D
(Showing Recessed Type Panel)

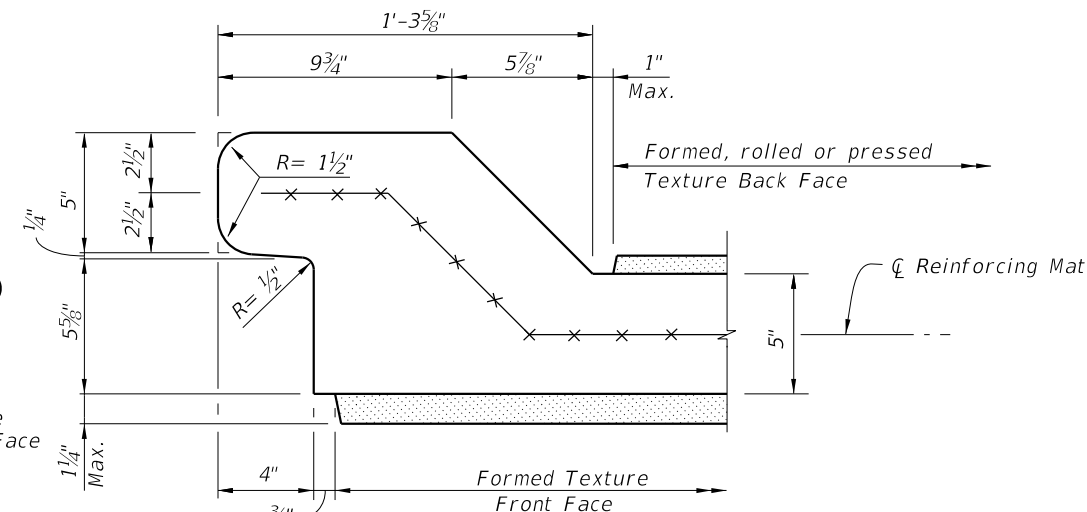


SECTION C-C

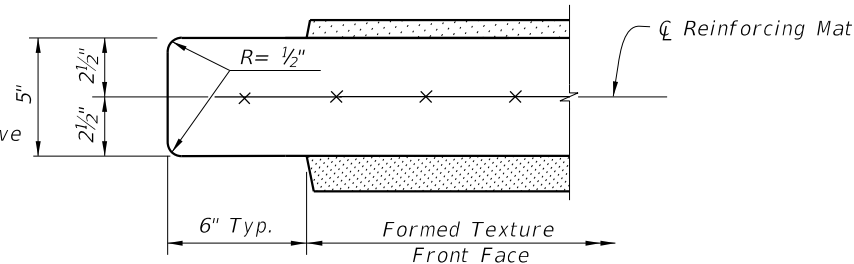
- Notes:
1. See Sheet 3 for allowable methods of applying textures.
 2. See plans for panel type and aesthetic requirements.
 3. For equal post spacing, side-installed panel length will be shorter than top-installed Panel length.



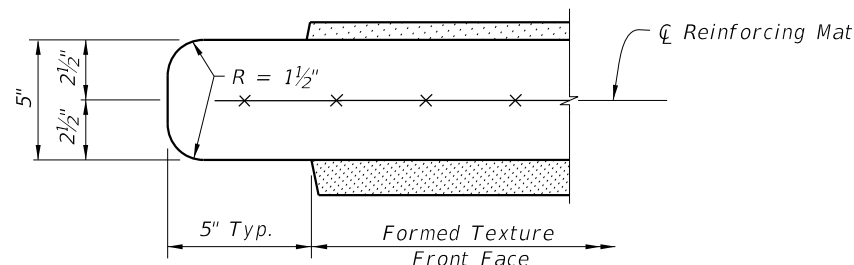
DETAIL "A" - TOP-INSTALLED
(Typical both ends)



DETAIL "A" - SIDE-INSTALLED
(Typical both ends)



DETAIL "B" - TOP-INSTALLED
(Typical both ends)



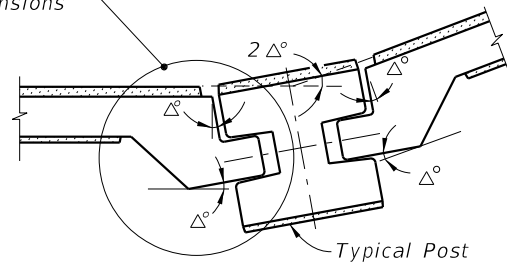
DETAIL "B" - SIDE-INSTALLED
(Typical both ends)

TYPICAL PANEL DETAILS

6/24/2015 6:51:04 AM

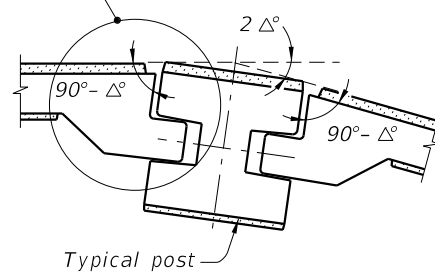
LAST REVISION	DESCRIPTION:
07/01/15	

See Detail "C" for panel dimensions

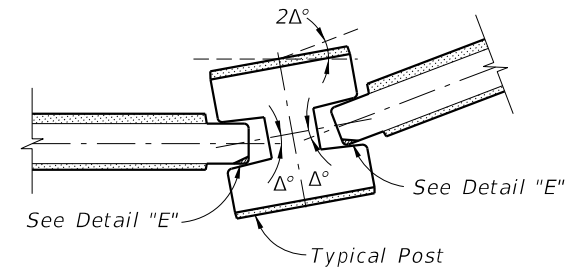


CASE 1
(Interior Angle)

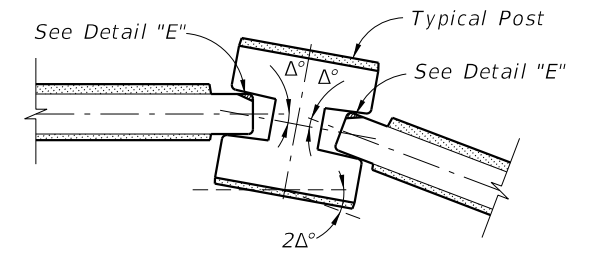
See Detail "D" for panel dimensions



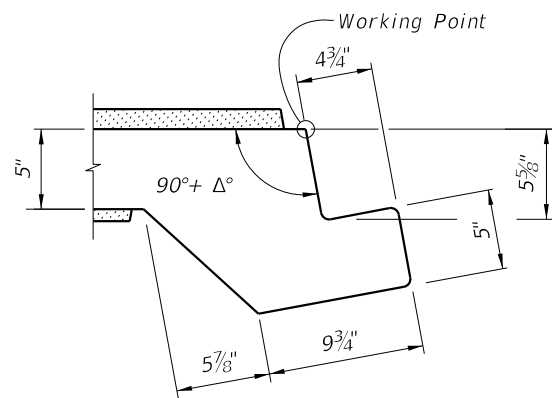
CASE 2
(Exterior Angle)



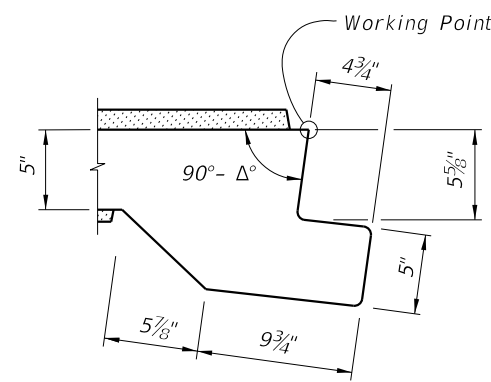
CASE 1
(Interior Angle)



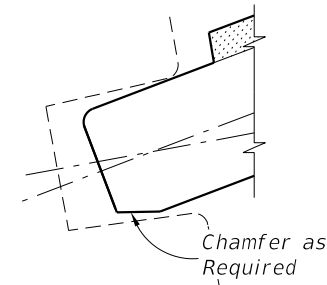
CASE 2
(Exterior Angle)



DETAIL "C"



DETAIL "D"



DETAIL "E"
(Back Face Chamfer Shown
Front Face Chamfer Similar)

NOTE:
The shop drawings shall include specific pivoting details of panel ends at locations where the deflection angle ($2\Delta^\circ$) between panels exceeds 7° .

PIVOTING DETAILS
(Flush Type Panel)

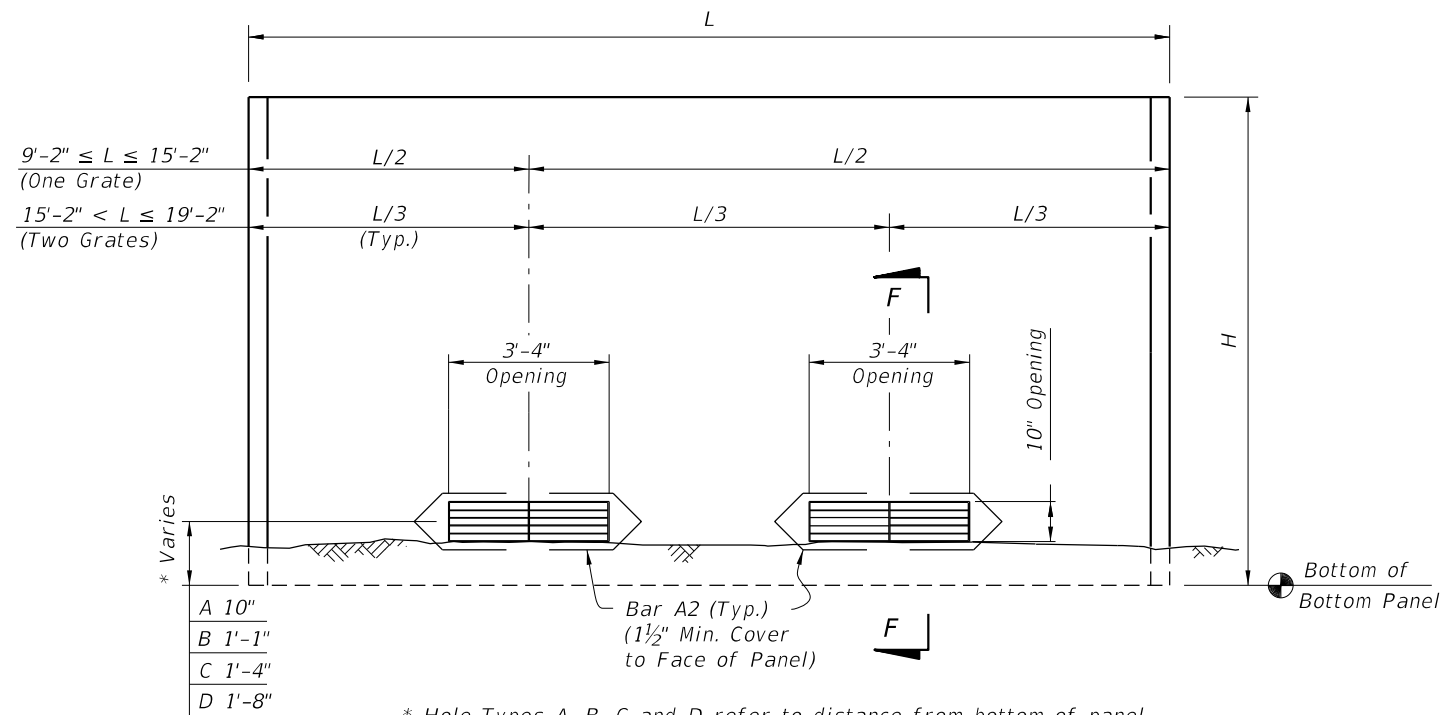
NOTE:
The shop drawings shall include specific pivoting details of panel ends at locations where the deflection angle ($2\Delta^\circ$) between panels exceeds 20° .

PIVOTING DETAILS
(Recessed Type Panel)

TYPICAL PANEL DETAILS

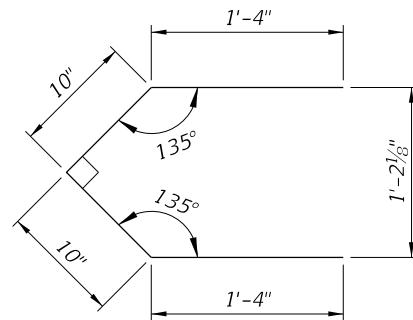
6/24/2015 6:51:04 AM

LAST REVISION 07/01/13	DESCRIPTION:
---------------------------	--------------



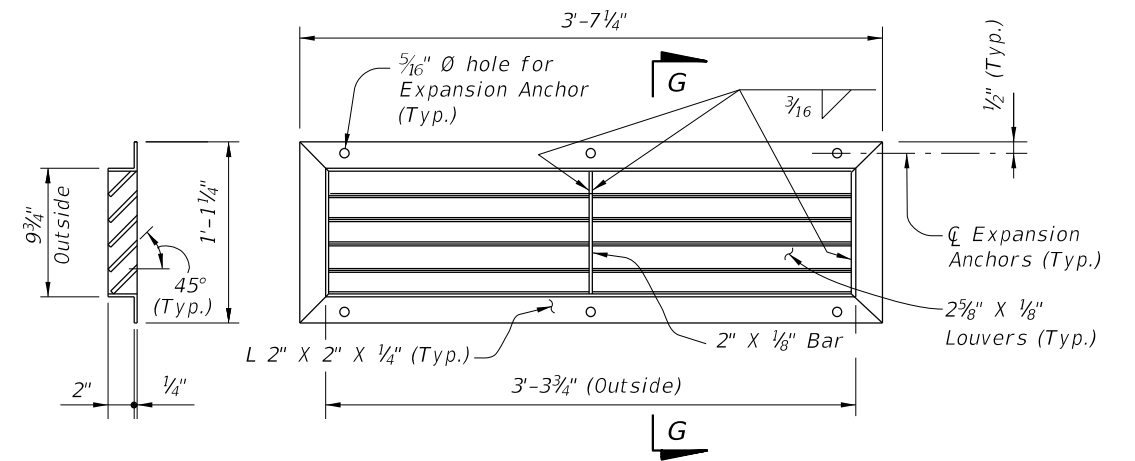
* Hole Types A, B, C and D refer to distance from bottom of panel to center of opening. See Wall Control Drawings in the plans.

DRAINAGE HOLES TYPES A, B, C & D
(Front Face of Wall Shown)
(Two Holes Shown,
One Hole Similar)



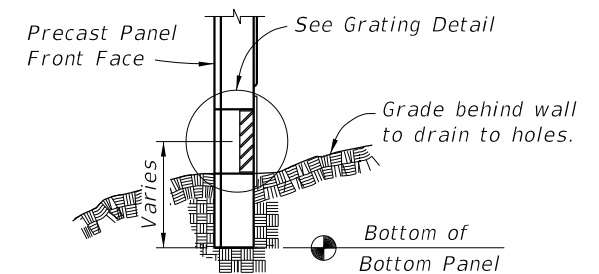
BAR A2 (Pair)
Bar Length = 4'-4"

BAR BENDING DETAILS (#3 Bars)



SECTION G-G

GRATING DETAIL



SECTION F-F

GRATING NOTES:

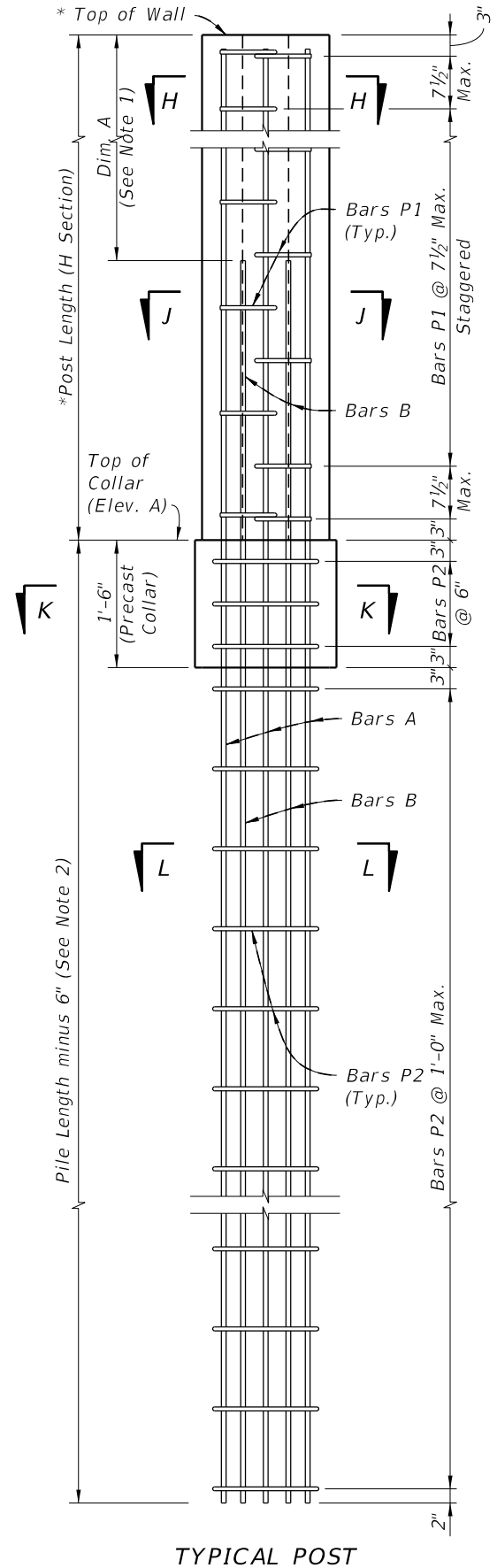
1. Grating shall be ASTM A36 steel welded in accordance with the current edition of ANSI/AWS D1.1 Steel Welding Code. Hot-dip galvanize grate after fabrication in accordance with Specification Section 962.
2. Expansion Anchors: Use 1/4" Ø x 3" ASTM A307, vandal resistant, hot-dip galvanized expansion anchors to connect grates to panels.
3. Grating mounted to back face of wall.

DRAINAGE HOLE DETAILS

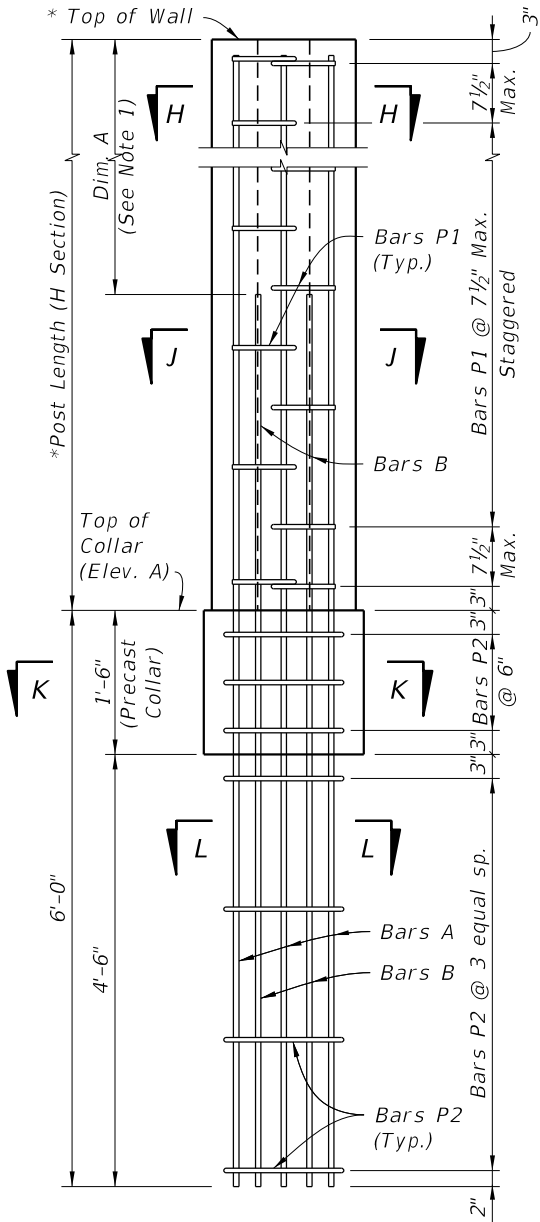
6/24/2015 6:51:05 AM

LAST REVISION	DESCRIPTION:
07/01/15	

6/24/2015 6:51:05 AM



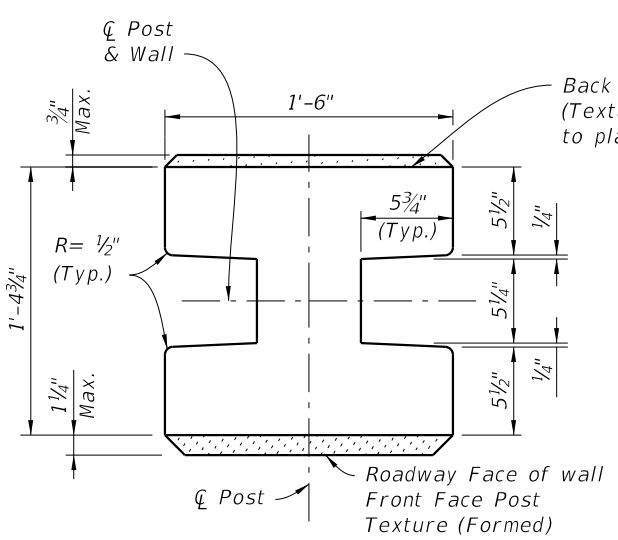
TYPICAL POST



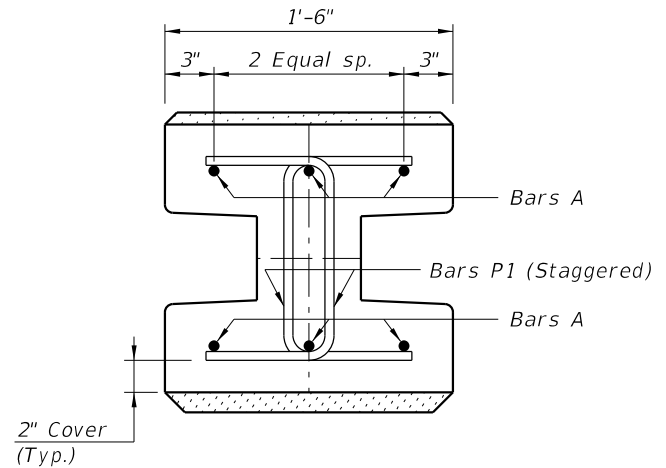
LOW CLEARANCE OPTION

* Extend Post 2" above top of high side wall panel when post caps are shown in plans. See Sheet 4, "ELEVATION STEP AT TOP OF WALL".

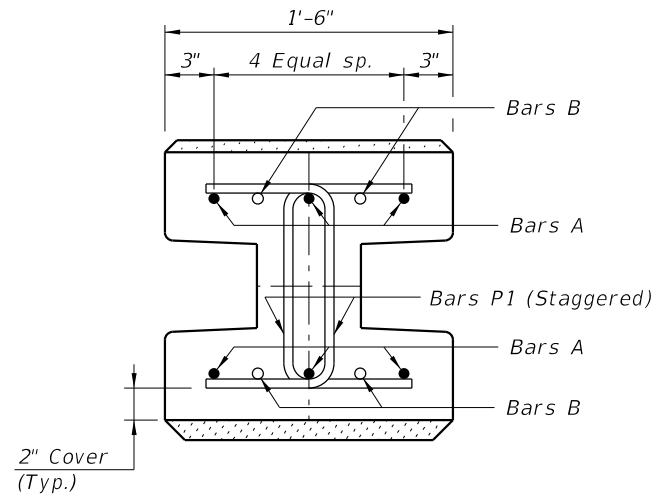
STANDARD POST REINFORCEMENT
(Standard Post Shown, 45° Corner Posts Similar)



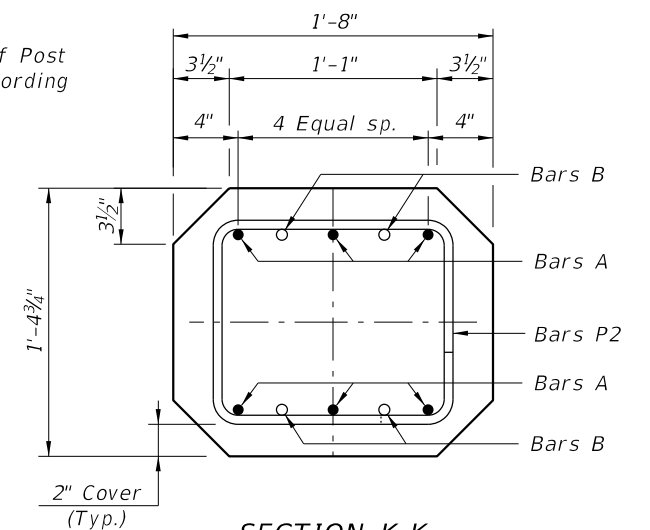
TYPICAL POST SECTION (H Section)



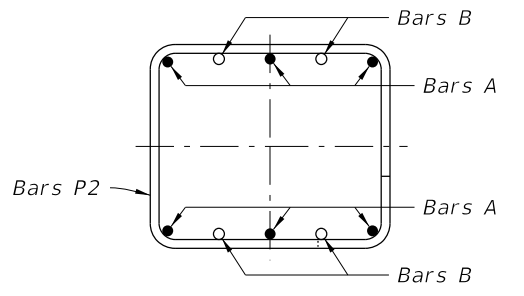
SECTION H-H



SECTION J-J



SECTION K-K (Collar Section)



SECTION L-L

NOTES:
1. For Post Reinforcing see Sheets 15 and 16.
2. For Pile Lengths Tables see Sheets 15 and 16.

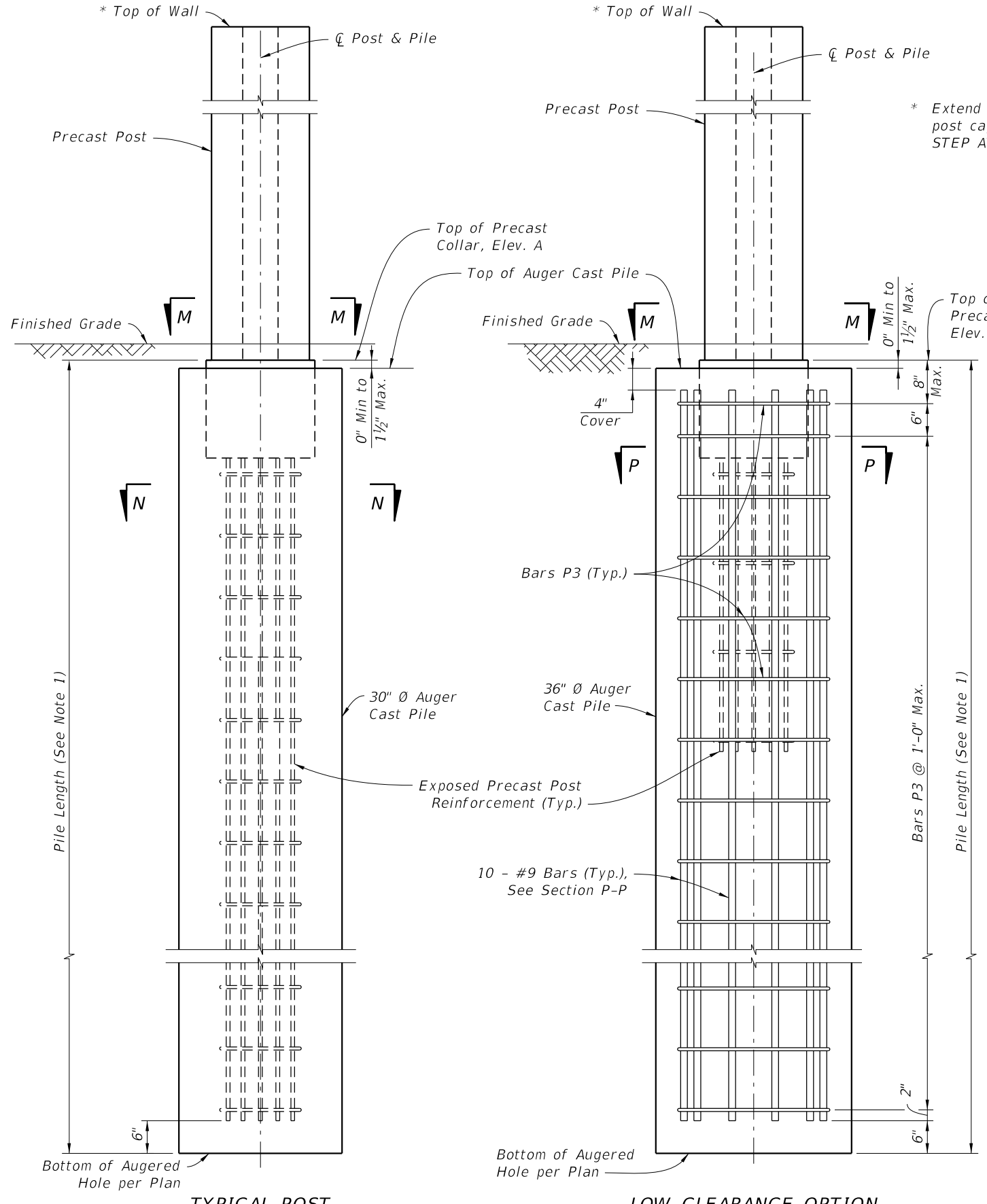
STANDARD POST DETAILS

LAST REVISION 07/01/15	DESCRIPTION:
---------------------------	--------------

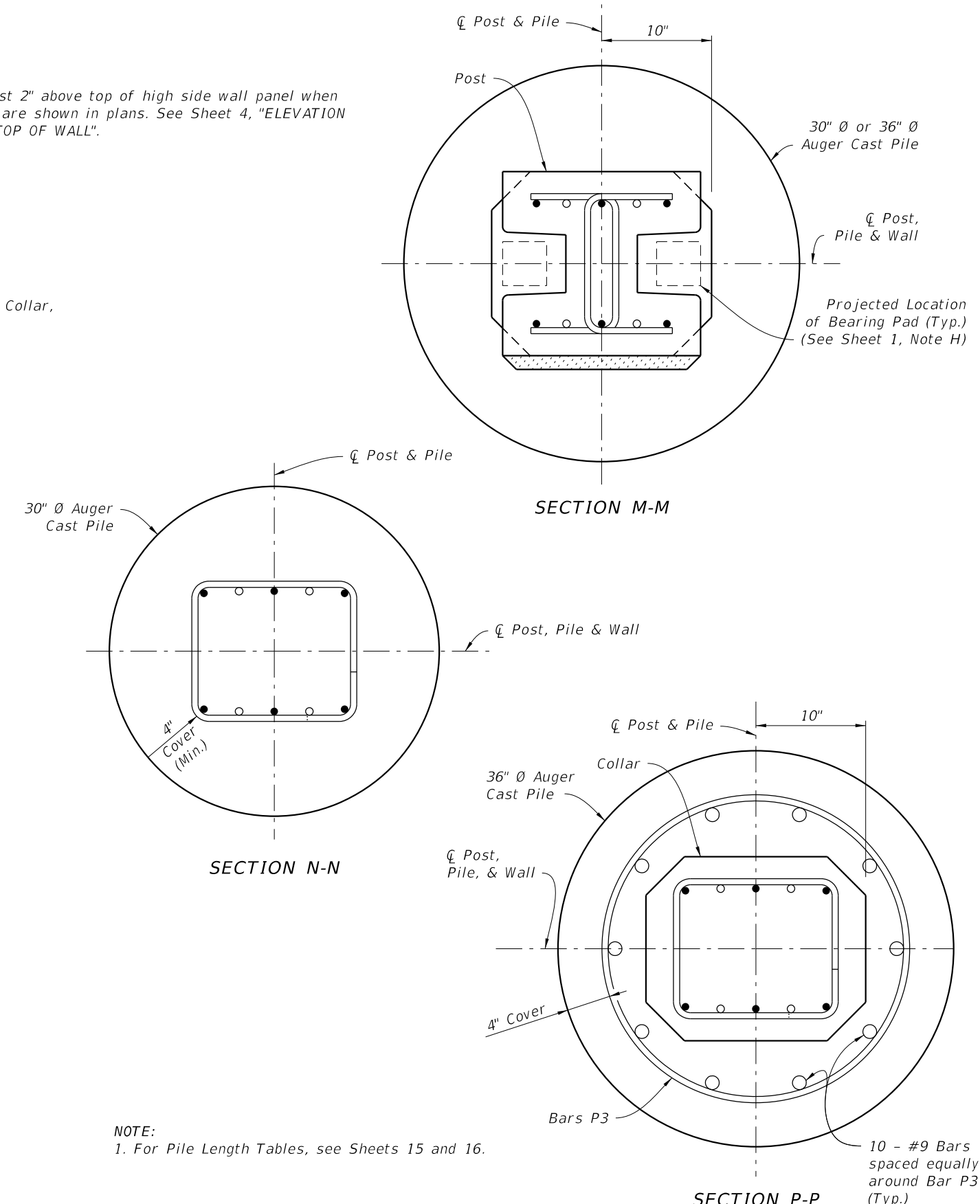


PRECAST NOISE WALLS

INDEX NO. 5200	SHEET NO. 8 of 16
-------------------	----------------------



* Extend Post 2" above top of high side wall panel when post caps are shown in plans. See Sheet 4, "ELEVATION STEP AT TOP OF WALL".



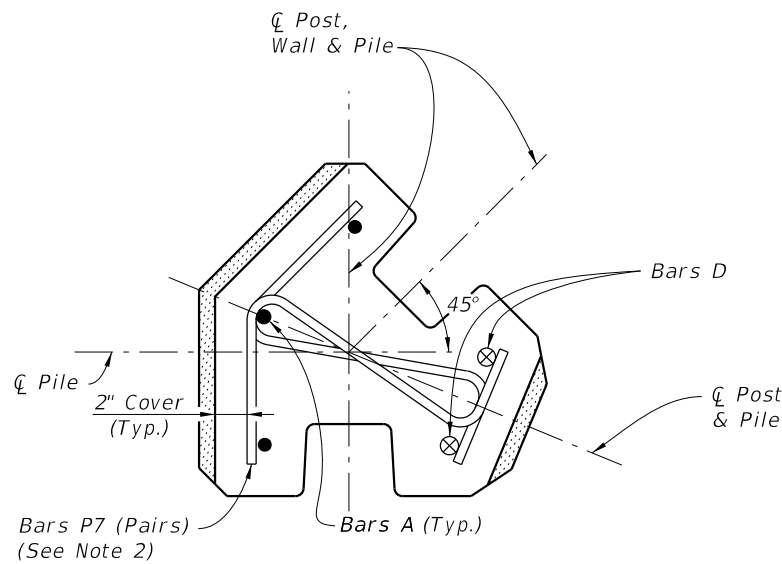
NOTE:
1. For Pile Length Tables, see Sheets 15 and 16.

TYPICAL POST
LOW CLEARANCE OPTION
STANDARD POST PLACEMENT IN AUGER CAST PILE
(H-Post Shown, 45° Corner Posts Similar)

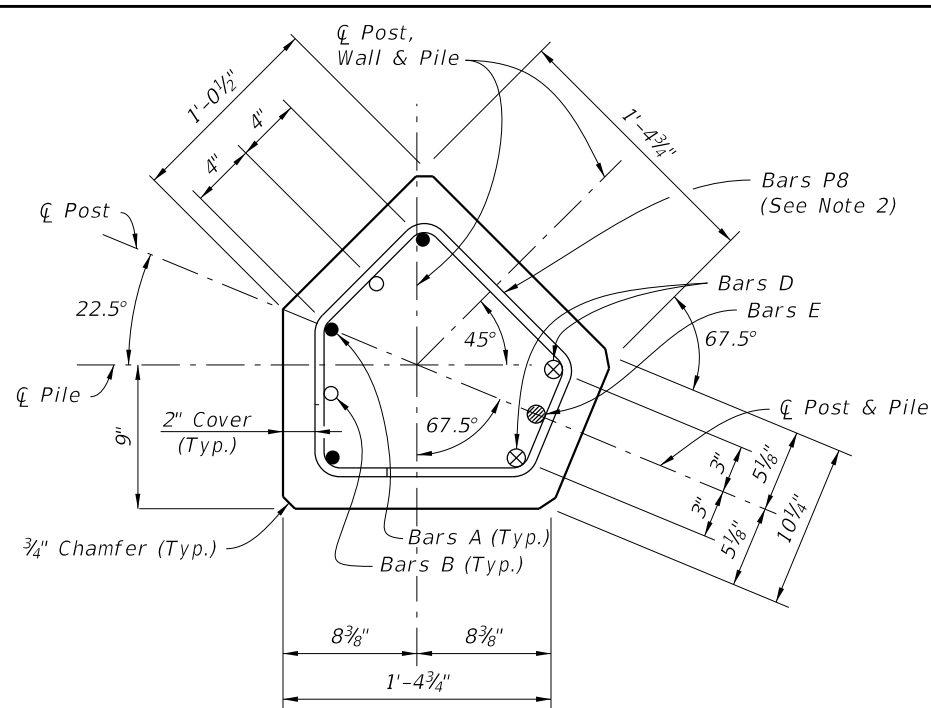
POST PLACEMENT & PILE REINFORCING STEEL DETAILS

6/24/2015 6:51:06 AM

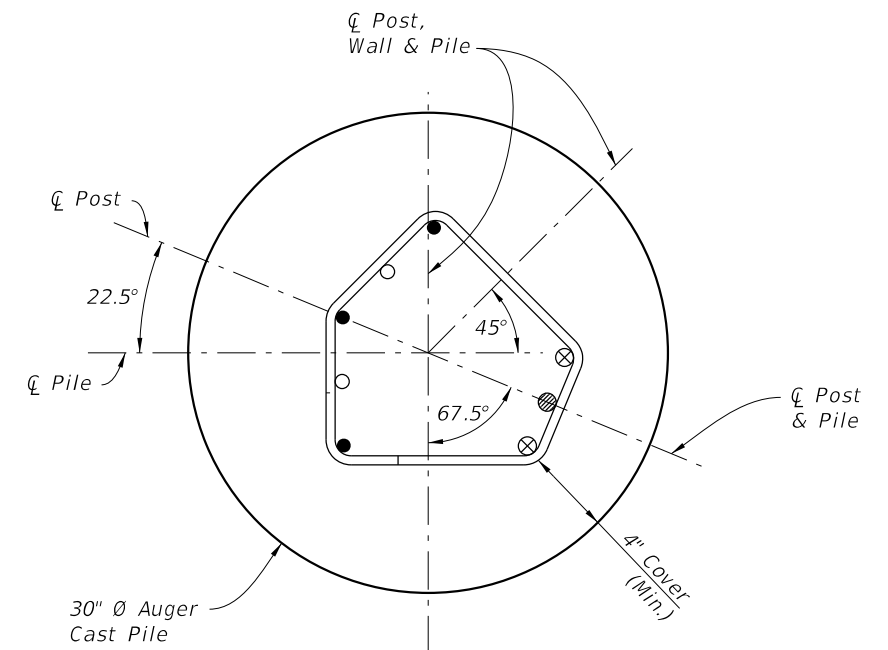
LAST REVISION 07/01/12	DESCRIPTION:	2016 DESIGN STANDARDS	PRECAST NOISE WALLS	INDEX NO. 5200	SHEET NO. 9 of 16
REVISION					



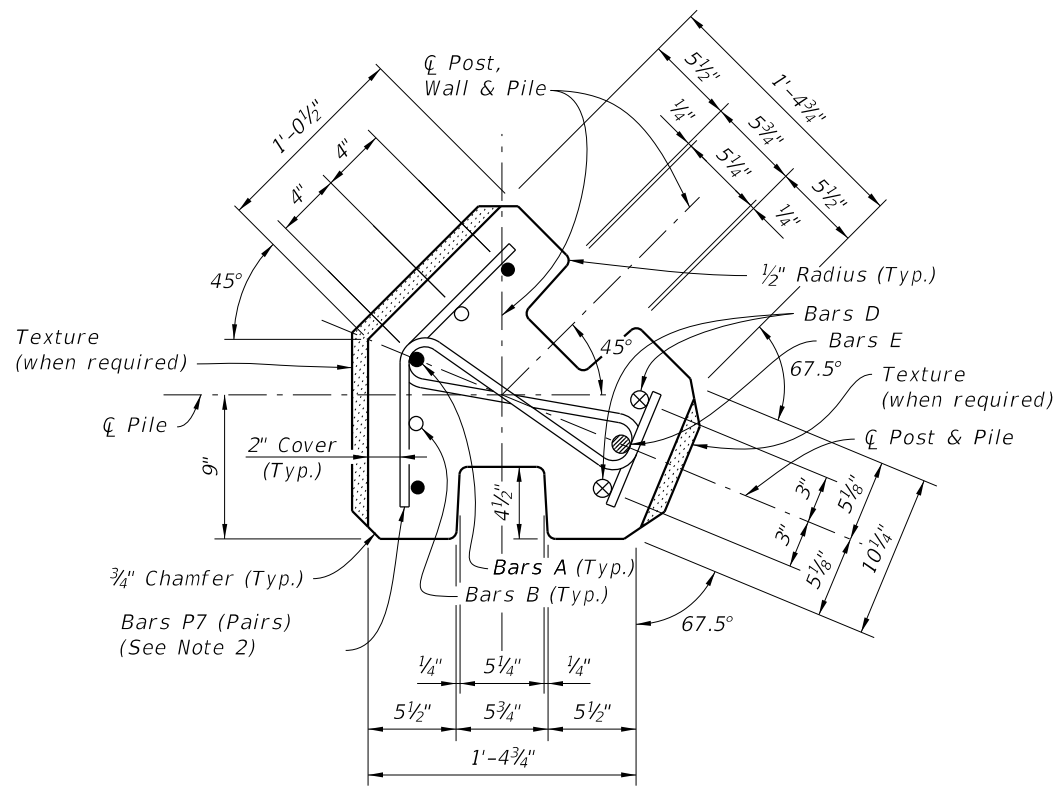
SECTION H-H
(45° Corner Post)



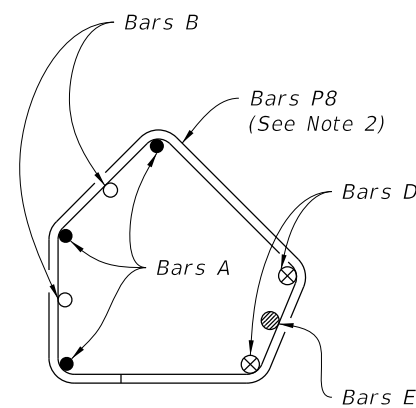
SECTION K-K
(Collar Section, 45° Corner Post)



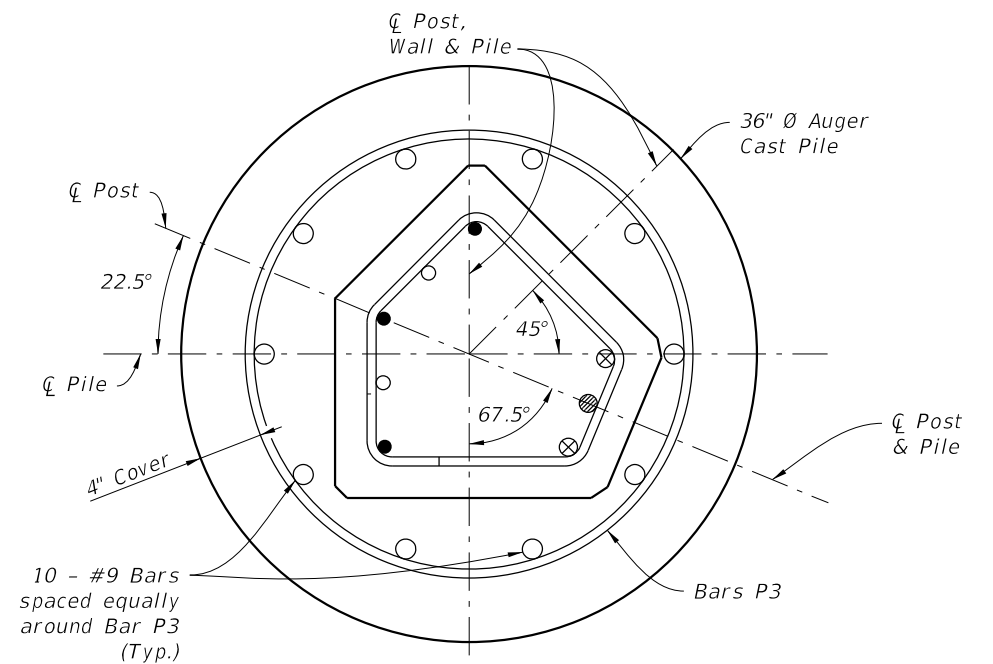
SECTION N-N
(45° Corner Post)



SECTION J-J
(45° Corner Post)



SECTION L-L
(45° Corner Post)



SECTION P-P
(45° Corner Post)

45° POST NOTES:

1. Reference Sheets 8 & 9 for location of Sections.
Space Bars P7 as shown for Bars P1.
Space Bars P8 as shown for Bars P2.
2. Match texture thickness with appropriate Panel face.
3. For Post Reinforcing, see sheets 15 & 16.
4. For Pile Length Tables, see sheets 15 & 16.

45° POST DETAILS

45° POST PLACEMENT IN AUGER CAST PILE

45° CORNER POST DETAILS

6/24/2015 6:51:07 AM

LAST REVISION 07/01/14	REVISION	DESCRIPTION:
---------------------------	----------	--------------

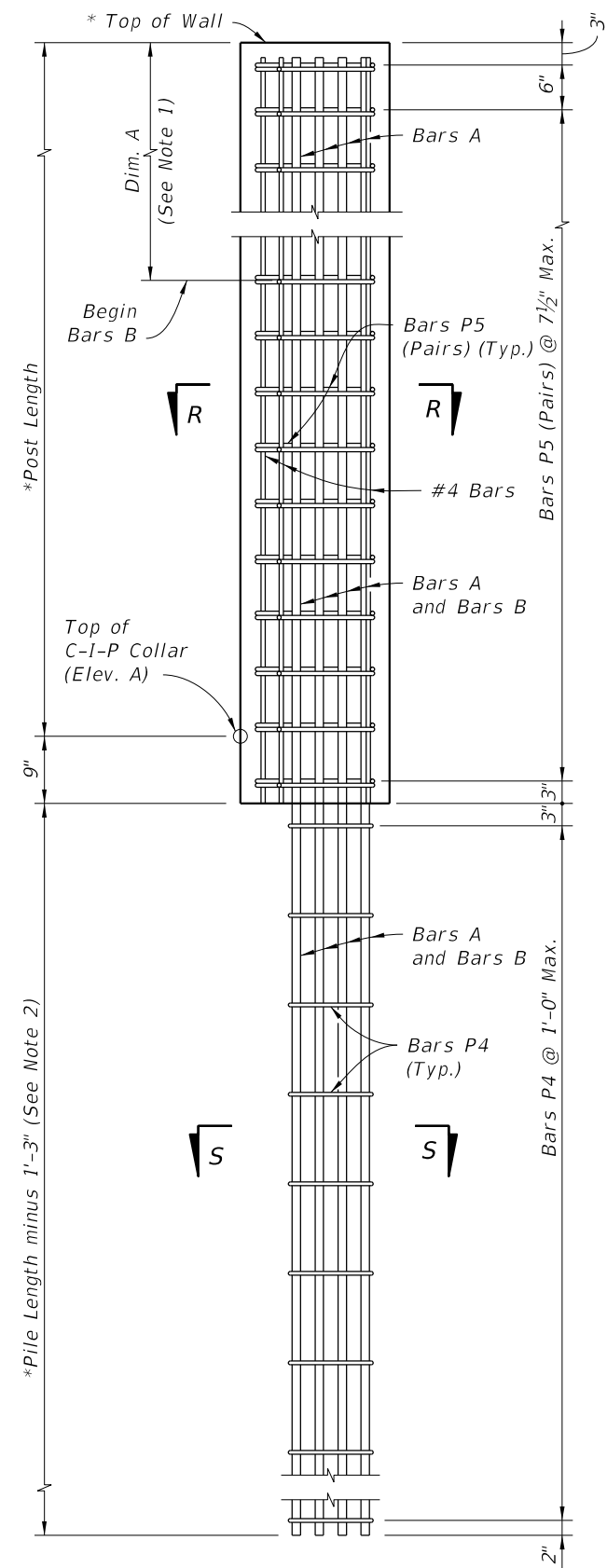


2016
DESIGN STANDARDS

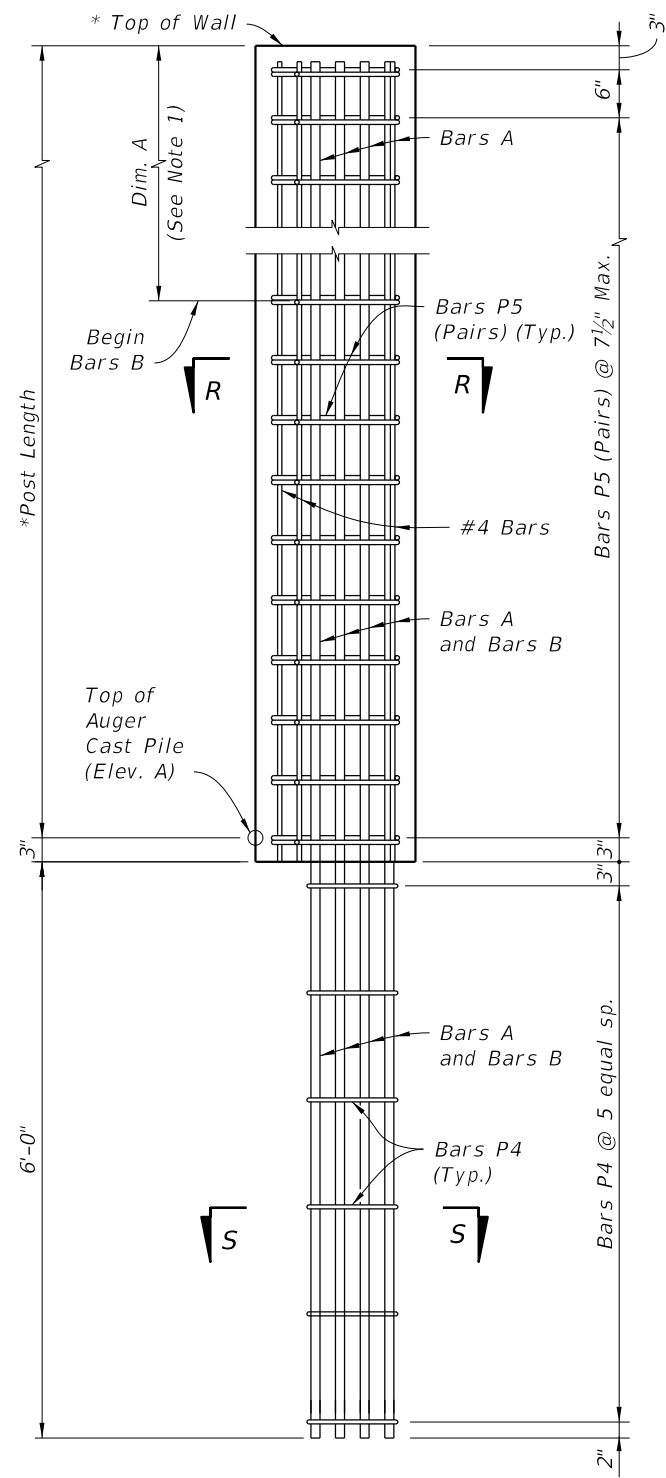
PRECAST NOISE WALLS

INDEX NO.
5200

SHEET NO.
10 of 16

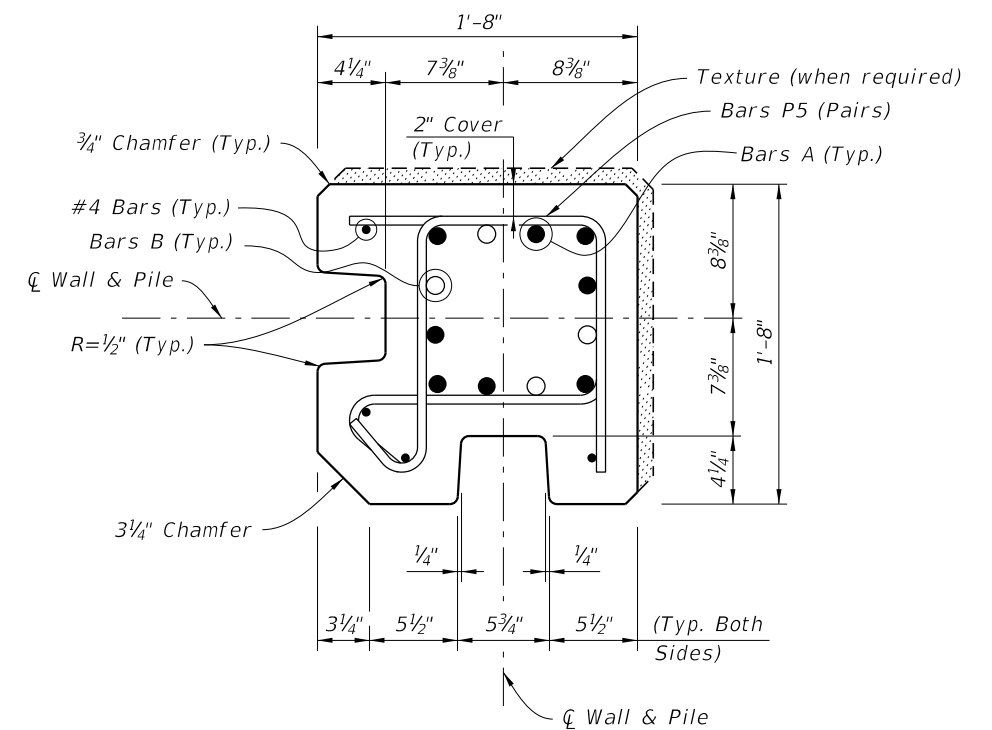


TYPICAL POST

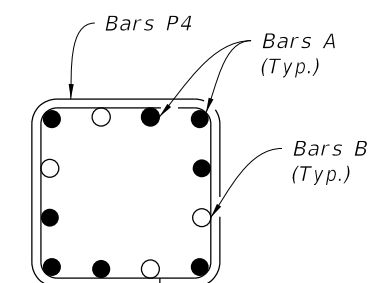


LOW CLEARANCE OPTION

* Extend Post 2" above top of high side wall panel when post caps are shown in plans. See Sheet 4, "ELEVATION STEP AT TOP OF WALL".



SECTION R-R



SECTION S-S

90° CORNER POST NOTES:

1. For Post Reinforcing, see Sheets 15 and 16.
2. For Pile Length Tables, see Sheets 15 and 16.
3. Reduce typical panel length or adjust pile spacing at each 90° Corner Post.
4. Match texture thickness, with appropriate Panel face.

90° CORNER POST REINFORCMENT
(Post Surface Features Not Shown For Clarity)

90° CORNER POST DETAILS

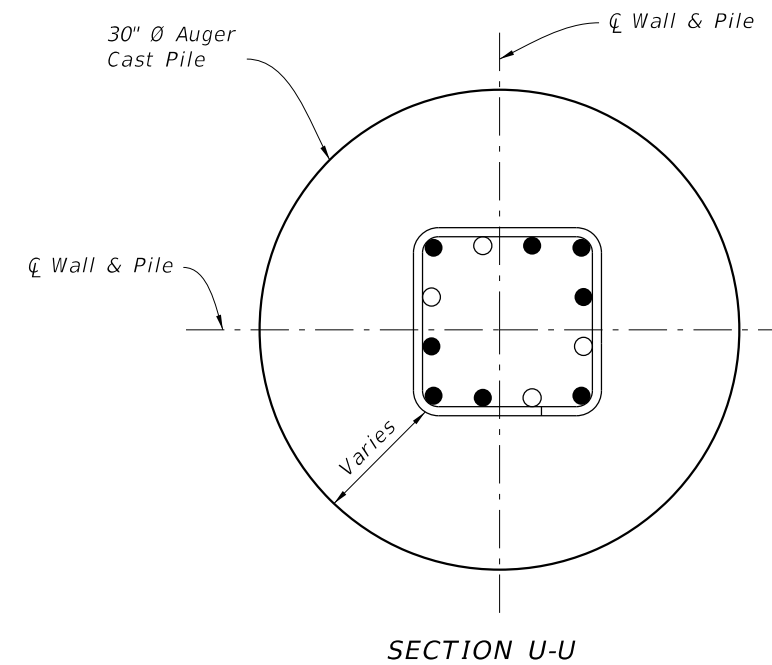
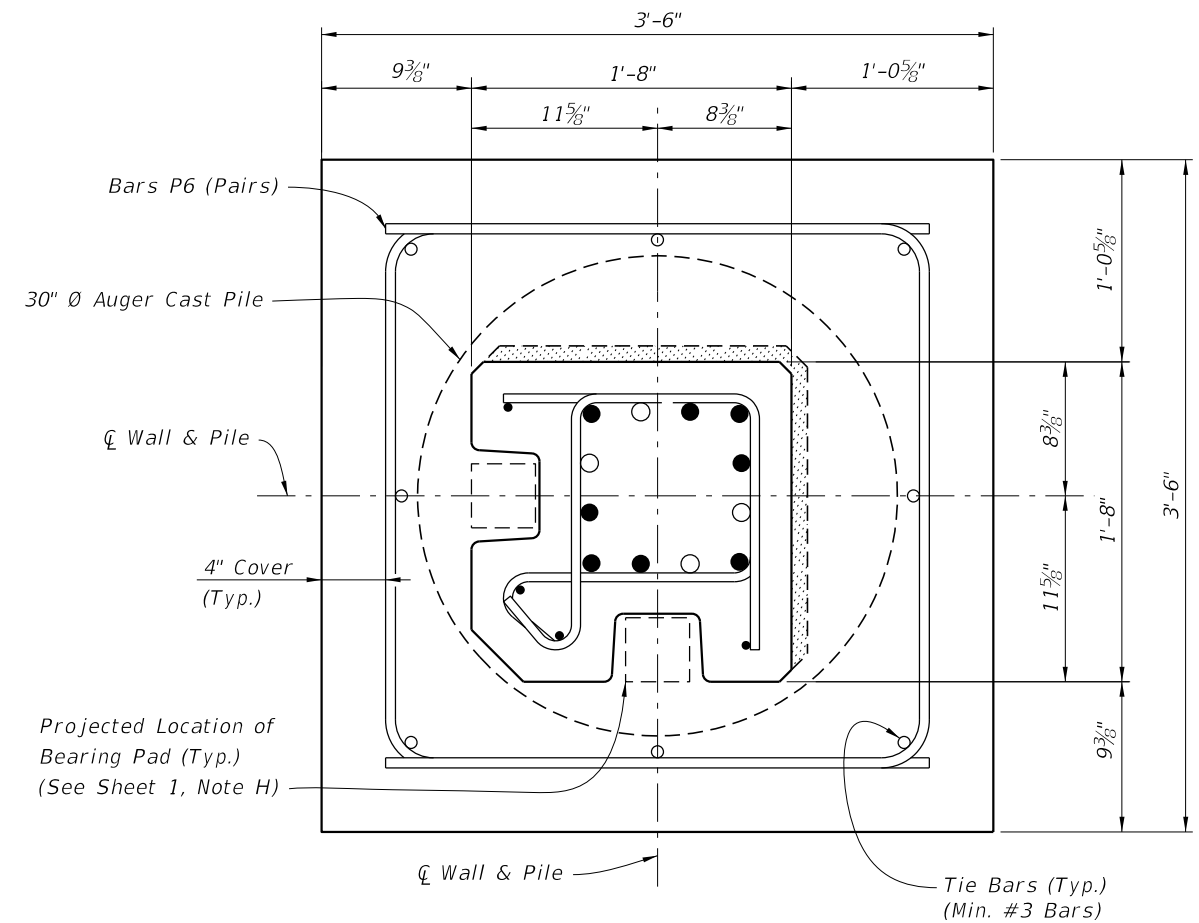
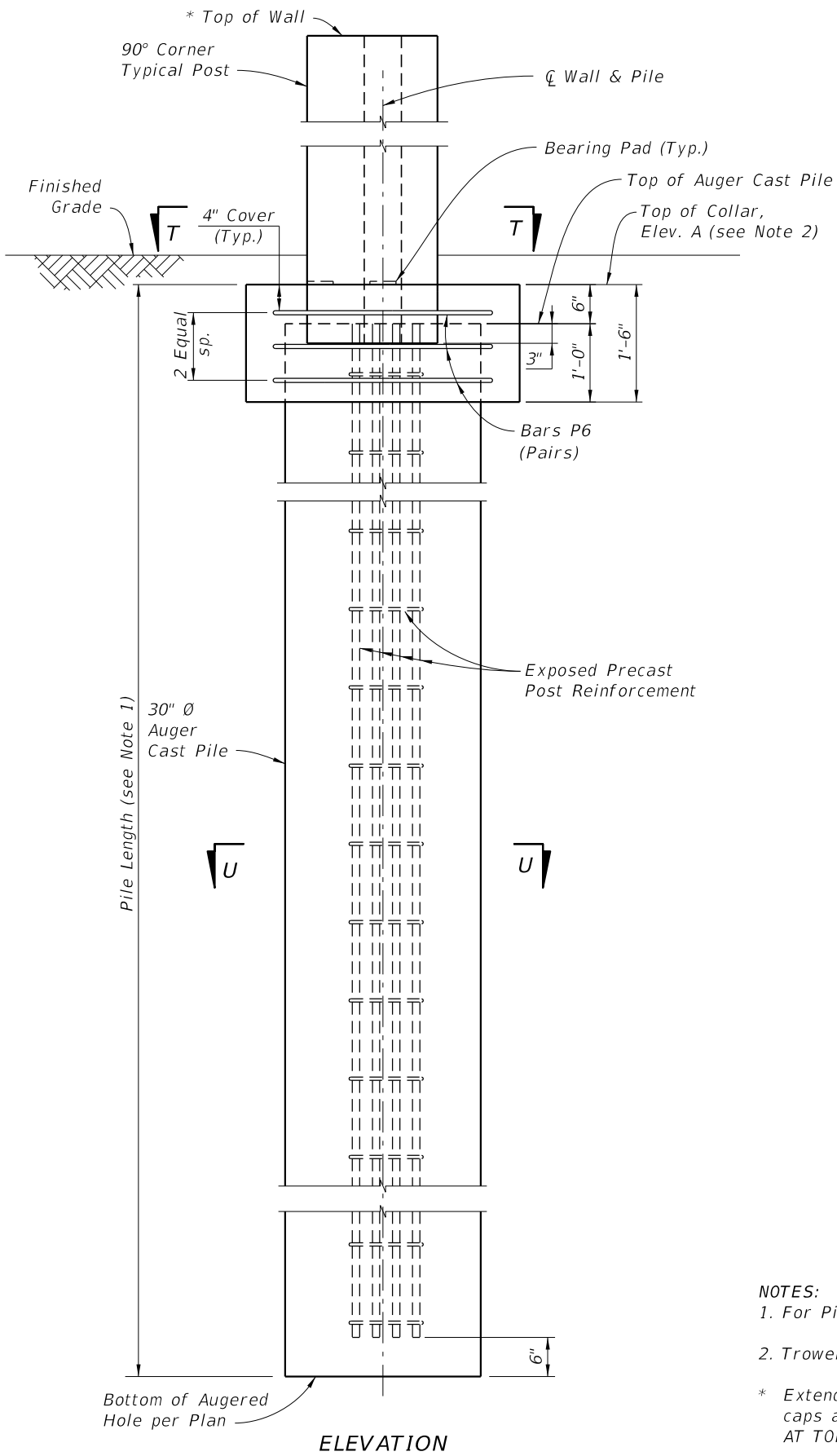
6/24/2015 6:51:07 AM

LAST REVISION 07/01/15	DESCRIPTION:
---------------------------	--------------



PRECAST NOISE WALLS

INDEX NO. 5200	SHEET NO. 11 of 16
-------------------	-----------------------



NOTES:

1. For Pile Length Tables, see Sheets 15 and 16.
 2. Trowel Finish top of Collar to allow placement of Bearing Pads.
- * Extend Post 2" above top of high side wall panel when post caps are shown in plans. See Sheet 4, "ELEVATION STEP AT TOP OF WALL".

90° CORNER TYPICAL POST PLACEMENT DETAILS

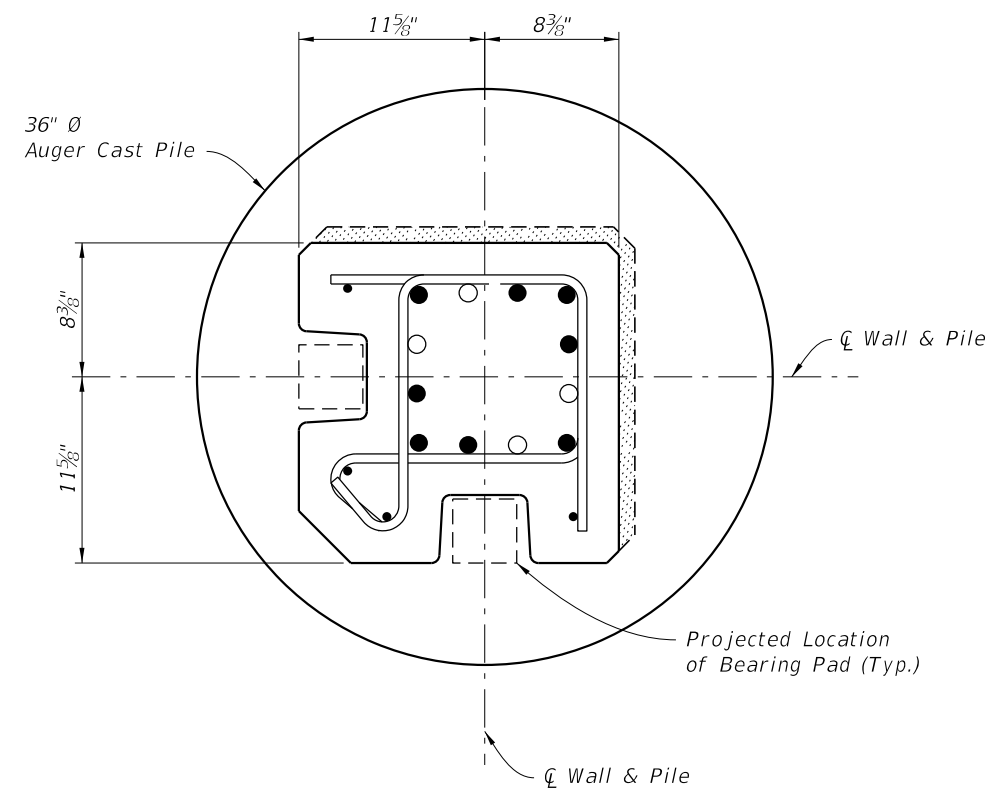
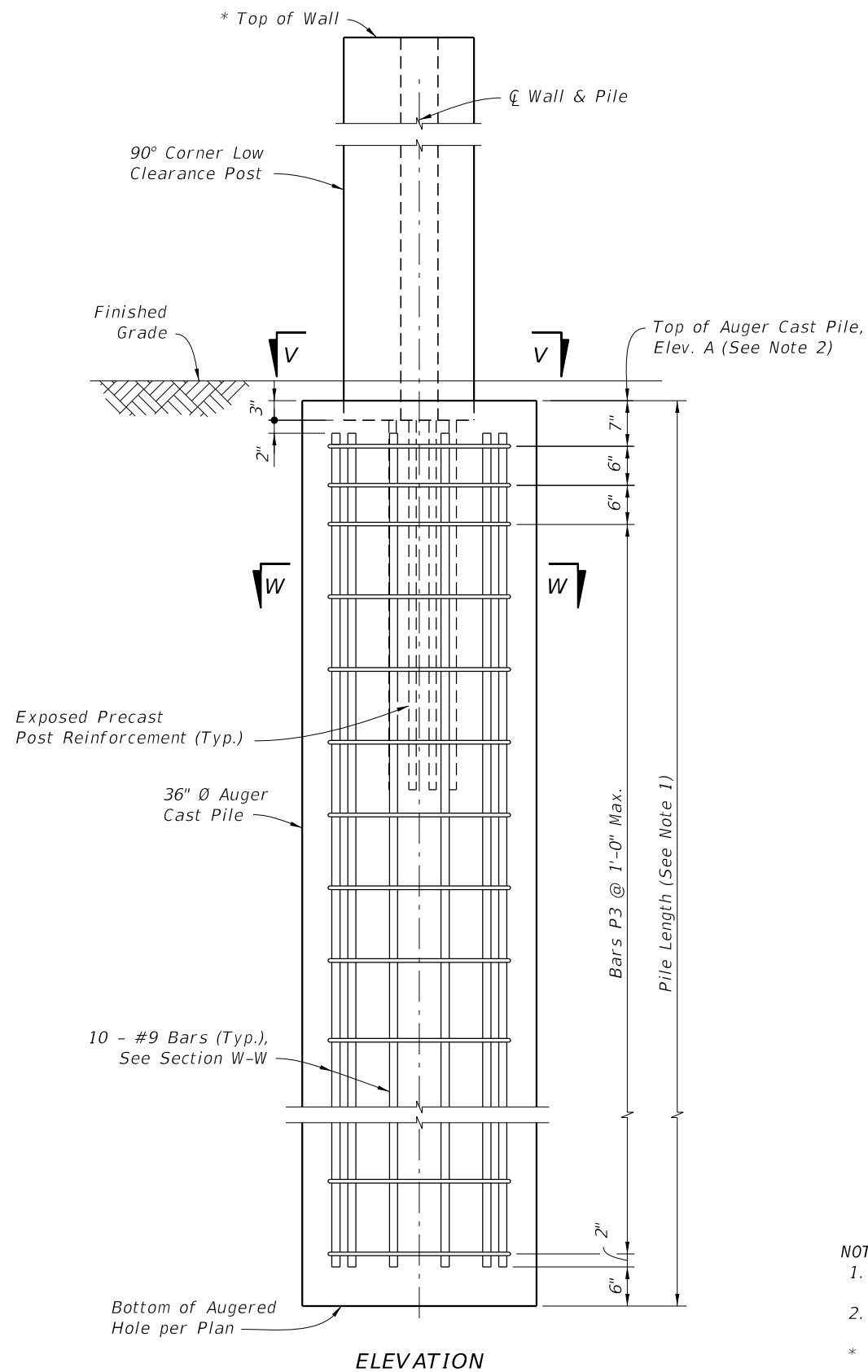
6/24/2015 6:51:08 AM

LAST REVISION	DESCRIPTION:
07/01/12	

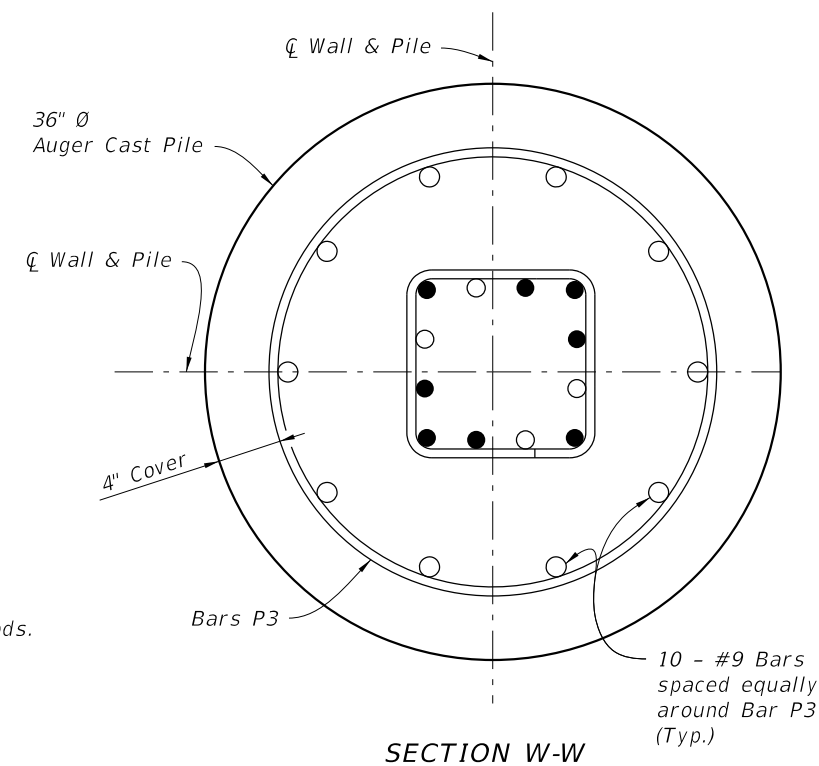


PRECAST NOISE WALLS

INDEX NO.	SHEET NO.
5200	12 of 16



SECTION V-V



SECTION W-W

NOTES:

1. For Pile Length Tables, see Sheets 15 and 16.
 2. Trowel Finish top of auger cast pile to allow placement of Bearing Pads.
- * Extend Post 2" above top of high side wall panel when post caps are shown in plans. See Sheet 4, "ELEVATION STEP AT TOP OF WALL".

6/24/2015 6:51:08 AM

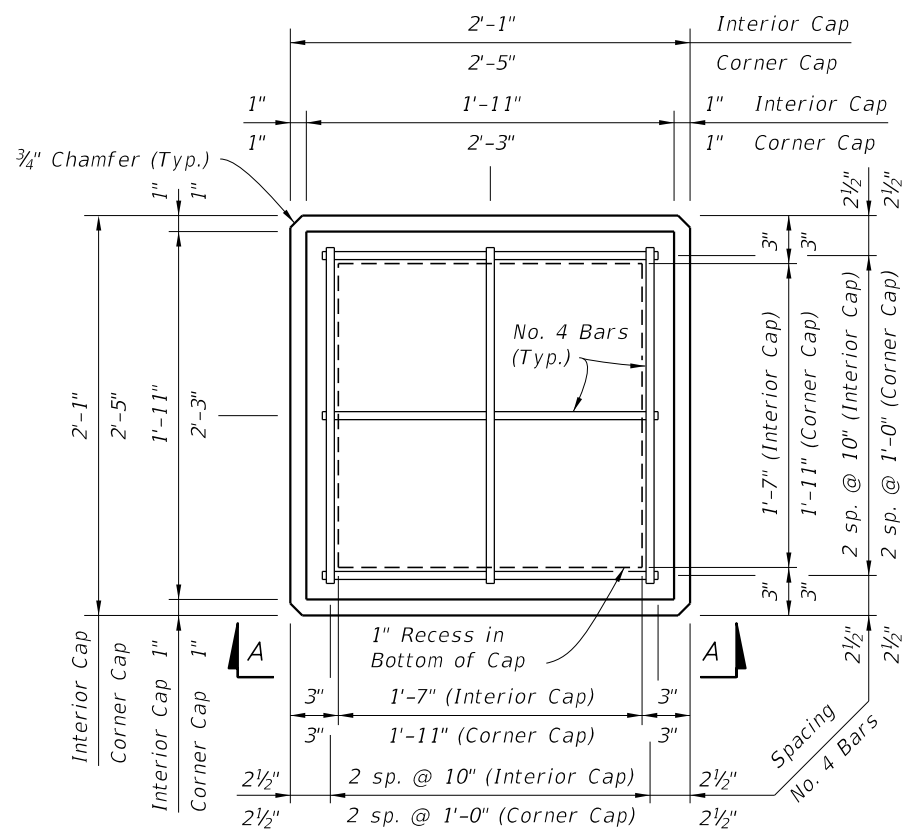
90° CORNER LOW CLEARANCE POST PLACEMENT & PILE REINFORCING STEEL DETAILS

LAST REVISION	DESCRIPTION:
07/01/12	



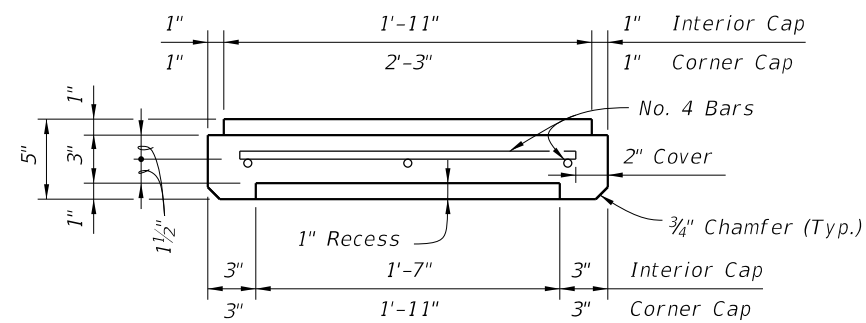
PRECAST NOISE WALLS

INDEX NO.	SHEET NO.
5200	13 of 16



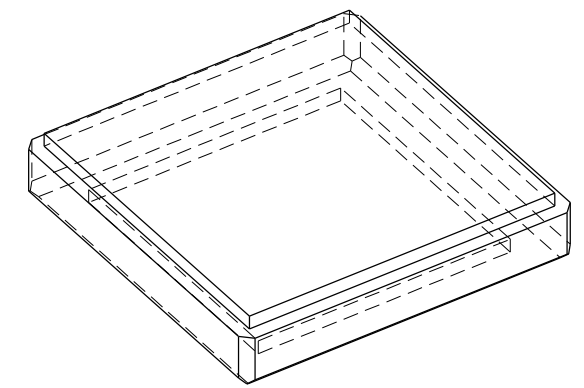
PLAN VIEW

(Type "A" Cap Shown, Type "B" & "C" Caps Similar)

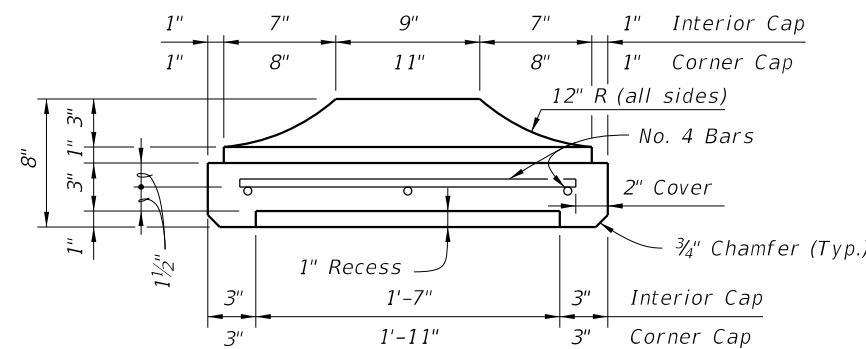


SECTION C-C

TYPE "A" CAP DETAILS

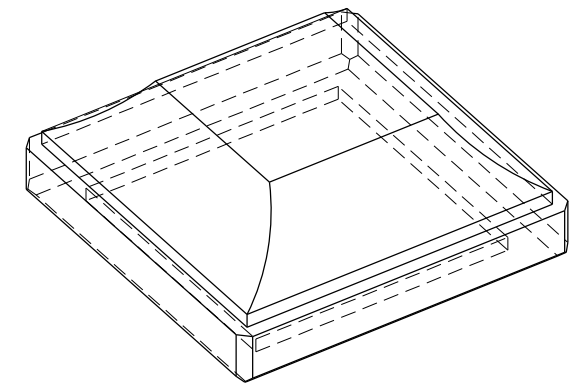


PICTORIAL VIEW

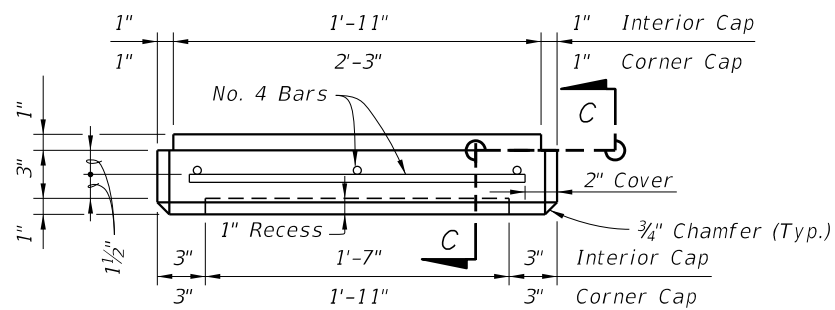


SECTION C-C

TYPE "B" CAP DETAILS

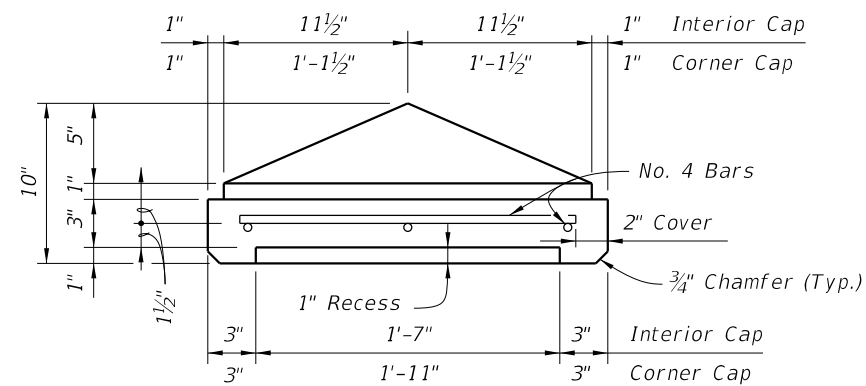


PICTORIAL VIEW



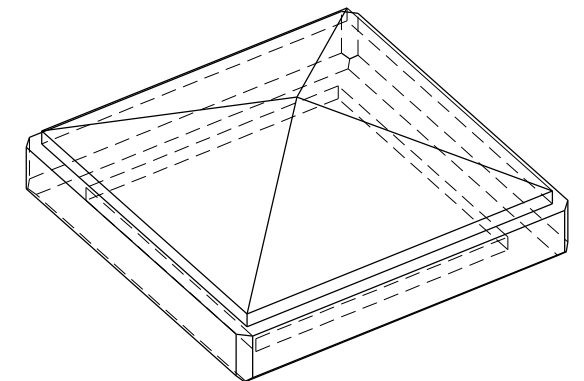
VIEW A-A SHOWN, VIEW B-B SIMILAR

(Type "A" Cap Shown, Type "B" & "C" Caps Similar)

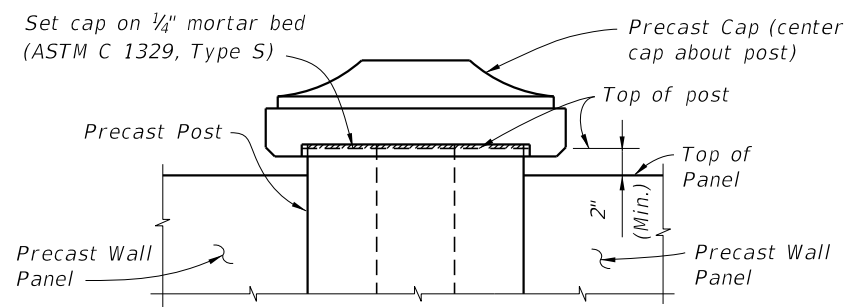


SECTION C-C

TYPE "C" CAP DETAILS



PICTORIAL VIEW



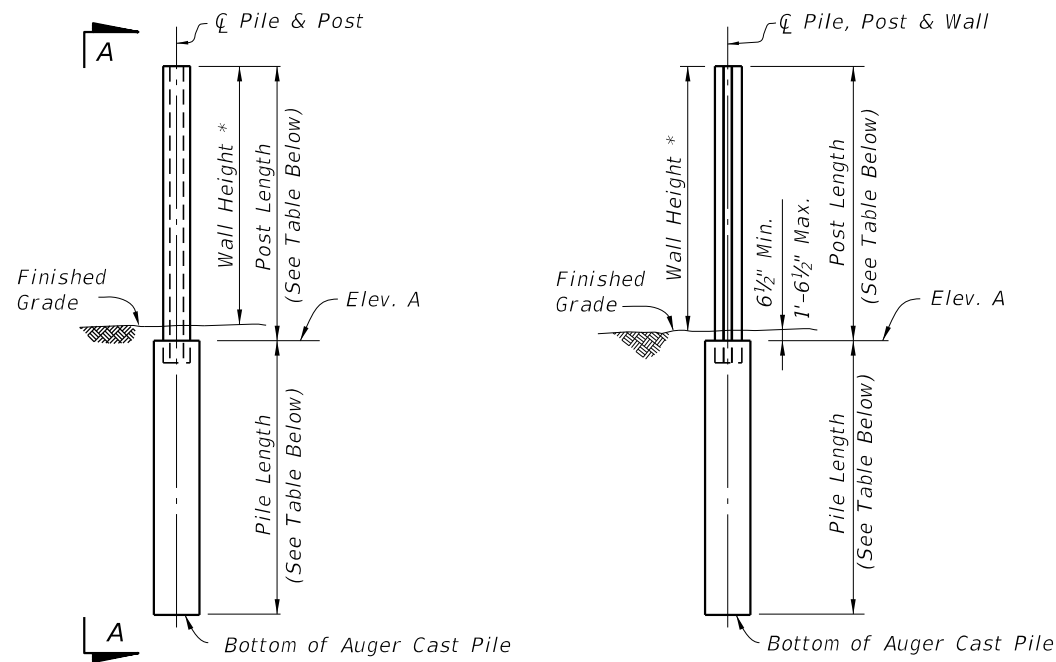
CAP PLACEMENT DETAIL

(Type "B" Cap Shown, Type "A" & "C" Caps Similar)

PRECAST POST CAPITAL

6/24/2015 6:51:09 AM

LAST REVISION	DESCRIPTION:
07/01/14	



PILE/POST ELEVATION

VIEW A-A

* See Sheet 1, Note 4.

BAR BENDING DETAILS

All bar dimensions in bending diagrams are out-to-out. All bars not shown in the bending diagrams are straight.

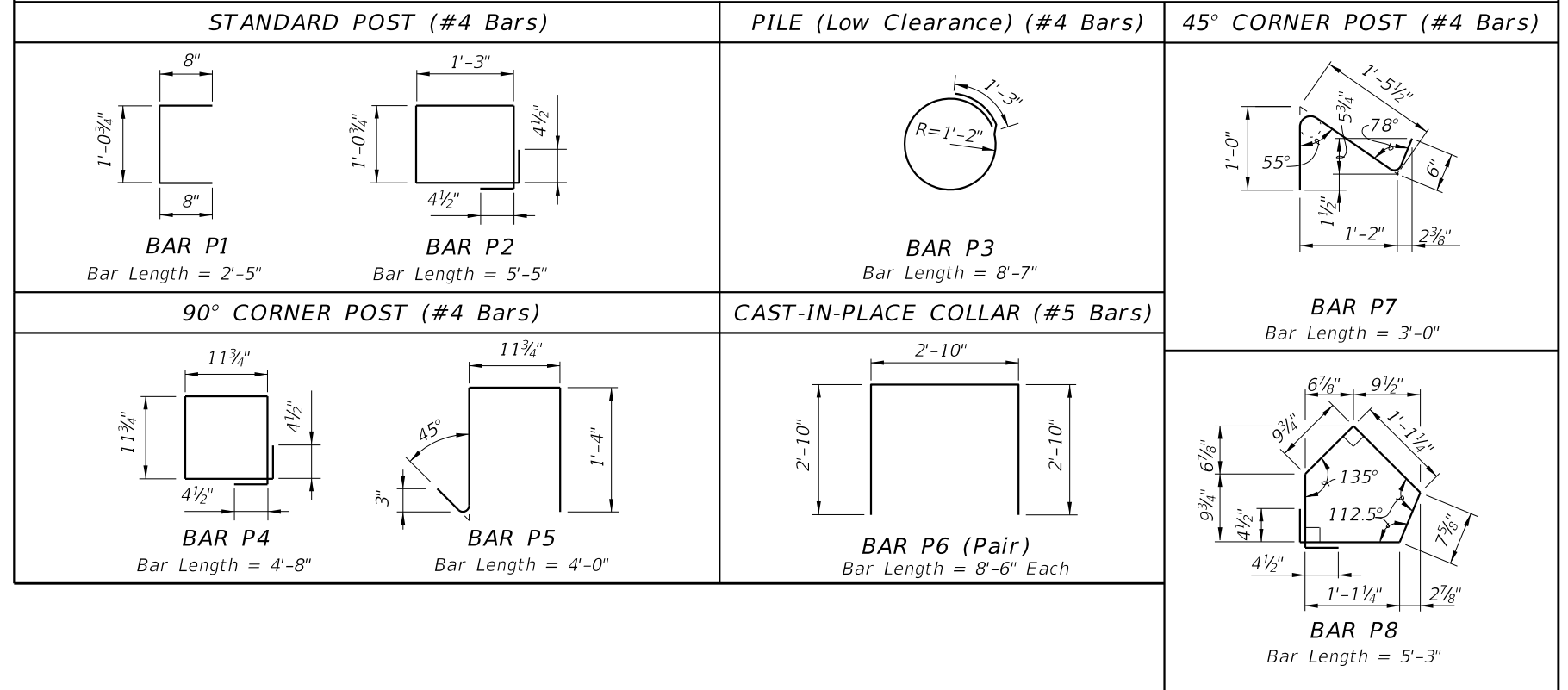


TABLE 1A - TABLE OF POST REINFORCING STEEL

WALL HEIGHT (Feet)	POST LENGTHS		WIND SPEED = 110 MPH											
	WITHOUT CAP	WITH CAP	10'-0" POST SPACING											
			10'-0" POST SPACING						20'-0" POST SPACING					
			BARS A	BARS B	BARS D	BARS E	BARS A	BARS B	BARS D	BARS E				
SIZE	SIZE	DIM 'A'	SIZE	SIZE	DIM 'A'	SIZE	SIZE	DIM 'A'	SIZE	SIZE	DIM 'A'			
12	13'-0 1/2"	13'-2 1/2"	#3	#3	9'-8"	#4	#4	11'-5"	#5	#5	11'-2"	#5	#5	9'-2"
13	14'-0 1/2"	14'-2 1/2"	#4	#4	13'-5"	#4	#4	11'-5"	#5	#5	11'-2"	#5	#5	9'-2"
14	15'-0 1/2"	15'-2 1/2"	#4	#4	13'-5"	#4	#4	11'-5"	#5	#5	11'-2"	#6	#6	10'-9"
15	16'-0 1/2"	16'-2 1/2"	#4	#4	13'-5"	#4	#4	11'-5"	#6	#6	12'-9"	#6	#6	10'-9"
16	17'-0 1/2"	17'-2 1/2"	#4	#4	13'-5"	#5	#5	14'-2"	#6	#6	12'-9"	#6	#6	10'-9"
17	18'-0 1/2"	18'-2 1/2"	#4	#4	13'-5"	#5	#5	14'-2"	#6	#6	12'-9"	#7	#7	12'-4"
18	19'-0 1/2"	19'-2 1/2"	#5	#5	16'-2"	#5	#5	14'-2"	#7	#7	14'-4"	#7	#7	12'-4"
19	20'-0 1/2"	20'-2 1/2"	#5	#5	16'-2"	#5	#5	14'-2"	#7	#7	14'-4"	#8	#8	13'-10"
20	21'-0 1/2"	21'-2 1/2"	#5	#5	16'-2"	#6	#6	15'-9"	#8	#8	16'-10"	#8	#8	13'-10"
21	22'-0 1/2"	22'-2 1/2"	#5	#5	16'-2"	#6	#6	15'-9"	#8	#8	16'-10"	#8	#8	13'-10"
22	23'-0 1/2"	23'-2 1/2"	#6	#6	18'-9"	#6	#6	15'-9"	#8	#8	16'-10"	#8	#9	13'-3"

TABLE 1B - PILE LENGTHS (Feet) - WIND SPEED = 110 MPH

WALL HEIGHT (Feet)	10'-0" POST SPACING																20'-0" POST SPACING							
	H-POSTS								CORNER POSTS								H-POSTS				CORNER POSTS			
	SOIL 1				SOIL 2				SOIL 1				SOIL 2				SOIL 1		SOIL 2		SOIL 1		SOIL 2	
	30" O	36" O	30" O	36" O	30" O	36" O	30" O	36" O	30" O	36" O	30" O	36" O	30" O	36" O	30" O	36" O	30" O	36" O	30" O	36" O	30" O	36" O	30" O	36" O
12	12	11	10	10	11	10	10	10	9	15	14	14	13	15	14	13	12							
13	12	11	11	10	12	11	10	10	10	16	15	14	13	15	14	14	13							
14	13	12	11	10	12	11	11	10	10	17	15	15	14	16	15	14	13							
15	13	12	11	11	13	12	11	10	10	17	16	15	14	17	15	15	14							
16	13	12	12	11	13	12	12	11	10	18	17	16	15	17	16	15	14							
17	14	13	12	11	14	13	12	11	10	19	17	16	15	18	17	16	15							
18	14	13	13	12	14	13	12	12	11	19	18	17	16	19	17	16	15							
19	15	14	13	12	14	13	13	12	11	20	18	17	16	19	18	17	16							
20	15	14	14	13	15	14	13	12	11	20	19	18	17	20	18	17	16							
21	16	15	14	13	15	14	14	13	12	21	19	18	17	20	19	18	17							
22	16	15	14	13	16	15	14	13	12	21	20	19	17	21	19	18	17							

TABLE NOTE:
 1. Bars D and Bars E are for 45° Corner Posts only.
 2. See Contract Plans for project wind speed.
 3. Soil 1 = Loose Granular Soil, N = 4 to 9.
 Soil 2 = Medium Dense Granular Soil, N = 10 to 40.

PILE DEPTH & REINFORCING SUMMARY

LAST REVISION 07/01/15	DESCRIPTION:	2016 DESIGN STANDARDS	PRECAST NOISE WALLS	INDEX NO. 5200	SHEET NO. 15 of 16
---------------------------	--------------	------------------------------	----------------------------	--------------------------	------------------------------

6/24/2015 6:51:09 AM


TABLE 2A - TABLE OF POST REINFORCING STEEL														TABLE 2B - PILE LENGTHS (Feet) - WIND SPEED = 130 MPH																	
POST LENGTHS			WIND SPEED = 130 MPH											WALL HEIGHT (Feet)	10'-0" POST SPACING								20'-0" POST SPACING								
WALL HEIGHT (Feet)	WITHOUT CAP	WITH CAP	10'-0" POST SPACING						20'-0" POST SPACING						H-POSTS				CORNER POSTS				H-POSTS				CORNER POSTS				
			BARS A	BARS B		BARS D	BARS E		BARS A	BARS B		BARS D	BARS E		SOIL 1		SOIL 2		SOIL 1		SOIL 2		SOIL 1		SOIL 2						
			SIZE	SIZE	DIM 'A'	SIZE	SIZE	DIM 'A'	SIZE	SIZE	DIM 'A'	SIZE	SIZE		DIM 'A'	SIZE	DIM 'A'	30" \emptyset	36" \emptyset	30" \emptyset	36" \emptyset	30" \emptyset	36" \emptyset	30" \emptyset	36" \emptyset	30" \emptyset	36" \emptyset	30" \emptyset	36" \emptyset		
12	13'-0 1/2"	13'-2 1/2"	#4	#4	10'-5"	#4	#4	9'-5"	#5	#5	9'-2"	#6	#6	8'-9"	12	13	12	12	11	13	12	11	11	18	16	16	14	17	16	15	14
13	14'-0 1/2"	14'-2 1/2"	#4	#4	10'-5"	#4	#4	9'-5"	#6	#6	10'-9"	#6	#6	8'-9"	13	14	13	12	11	13	12	12	11	18	17	16	15	18	17	16	15
14	15'-0 1/2"	15'-2 1/2"	#4	#4	10'-5"	#5	#5	12'-2"	#6	#6	10'-9"	#7	#7	10'-4"	14	14	13	12	12	14	13	12	12	19	18	17	16	19	17	16	15
15	16'-0 1/2"	16'-2 1/2"	#5	#5	13'-2"	#5	#5	12'-2"	#7	#7	12'-4"	#7	#7	10'-4"	15	15	14	13	12	14	13	13	12	20	18	17	16	19	18	17	16
16	17'-0 1/2"	17'-2 1/2"	#5	#5	13'-2"	#5	#5	12'-2"	#7	#7	12'-4"	#8	#8	11'-10"	16	15	14	13	13	15	14	13	12	21	19	18	17	20	18	18	16
17	18'-0 1/2"	18'-2 1/2"	#5	#5	13'-2"	#6	#6	13'-9"	#7	#7	12'-4"	#8	#8	11'-10"	17	16	15	14	13	15	14	13	13	21	20	19	17	21	19	18	17
18	19'-0 1/2"	19'-2 1/2"	#6	#6	15'-8"	#6	#6	13'-9"	#8	#8	13'-10"	#8	#8	11'-10"	18	16	15	14	13	16	15	14	13	22	20	19	18	21	20	19	17
19	20'-0 1/2"	20'-2 1/2"	#6	#6	15'-8"	#6	#6	13'-9"	#8	#8	13'-10"	#8	#9	11'-3"	19	17	16	15	14	16	15	14	13	22	21	20	18	22	20	19	18
20	21'-0 1/2"	21'-2 1/2"	#6	#6	15'-8"	#7	#7	15'-4"	#8	#9	13'-3"	#9	#9	12'-3"	20	17	16	15	14	17	16	15	14	23	21	20	19	23	21	20	19
21	22'-0 1/2"	22'-2 1/2"	#6	#6	15'-8"	#7	#7	15'-4"	#9	#8	15'-10"	#9	#10	11'-7"	21	18	17	16	15	17	16	15	14	24	22	21	19	23	22	21	19
22	23'-0 1/2"	23'-2 1/2"	#7	#7	18'-4"	#7	#7	15'-4"	#9	#10	14'-7"	#10	#9	14'-3"	22	18	17	16	15	18	17	16	15	24	23	21	20	24	22	21	20

TABLE 3A - TABLE OF POST REINFORCING STEEL														TABLE 3B - PILE LENGTHS (Feet) - WIND SPEED = 150 MPH																	
POST LENGTHS			WIND SPEED = 150 MPH											WALL HEIGHT (Feet)	10'-0" POST SPACING								20'-0" POST SPACING								
WALL HEIGHT (Feet)	WITHOUT CAP	WITH CAP	10'-0" POST SPACING						20'-0" POST SPACING						H-POSTS				CORNER POSTS				H-POSTS				CORNER POSTS				
			BARS A	BARS B		BARS D	BARS E		BARS A	BARS B		BARS D	BARS E		SOIL 1		SOIL 2		SOIL 1		SOIL 2		SOIL 1		SOIL 2						
			SIZE	SIZE	DIM 'A'	SIZE	SIZE	DIM 'A'	SIZE	SIZE	DIM 'A'	SIZE	SIZE		DIM 'A'	SIZE	DIM 'A'	30" \emptyset	36" \emptyset	30" \emptyset	36" \emptyset	30" \emptyset	36" \emptyset	30" \emptyset	36" \emptyset	30" \emptyset	36" \emptyset	30" \emptyset	36" \emptyset		
12	13'-0 1/2"	13'-2 1/2"	#4	#4	9'-5"	#5	#5	10'-2"	#7	#7	10'-4"	#7	#7	8'-4"	12	15	14	13	12	14	13	13	12	20	19	18	16	19	18	17	16
13	14'-0 1/2"	14'-2 1/2"	#5	#5	11'-2"	#5	#5	10'-2"	#7	#7	10'-4"	#7	#7	8'-4"	13	16	14	14	13	15	14	13	12	21	19	18	17	20	19	18	16
14	15'-0 1/2"	15'-2 1/2"	#5	#5	11'-2"	#5	#5	10'-2"	#8	#8	11'-10"	#8	#8	9'-10"	14	16	15	14	13	16	14	14	13	22	20	19	18	21	19	18	17
15	16'-0 1/2"	16'-2 1/2"	#5	#5	11'-2"	#6	#6	11'-9"	#8	#8	11'-10"	#8	#8	9'-10"	15	17	15	15	14	16	15	14	13	22	21	20	18	22	20	19	18
16	17'-0 1/2"	17'-2 1/2"	#6	#6	13'-9"	#6	#6	11'-9"	#8	#9	11'-3"	#8	#9	9'-3"	16	17	16	15	14	17	16	15	14	23	21	20	19	22	21	20	18
17	18'-0 1/2"	18'-2 1/2"	#6	#6	13'-9"	#7	#7	13'-4"	#9	#8	12'-10"	#9	#8	10'-10"	17	18	17	16	15	17	16	15	14	24	22	21	19	23	22	20	19
18	19'-0 1/2"	19'-2 1/2"	#6	#6	13'-9"	#7	#7	13'-4"	#9	#10	11'-7"	#9	#10	9'-7"	18	19	17	16	15	18	17	16	15	25	23	22	20	24	22	21	20
19	20'-0 1/2"	20'-2 1/2"	#7	#7	15'-4"	#7	#7	13'-4"	#10	#9	14'-3"	#10	#9	12'-3"	19	19	18	17	16	18	17	16	15	25	23	22	21	25	23	22	20
15'-0" POST SPACING														15'-0" POST SPACING																	
20	21'-0 1/2"	21'-2 1/2"	#7	#7	15'-4"	#8	#8	14'-10"	#9	#9	15'-3"	#9	#9	12'-3"	20	20	18	17	16	19	18	17	16	23	21	20	19	23	22	20	19
21	22'-0 1/2"	22'-2 1/2"	#7	#8	14'-10"	#8	#8	14'-10"	#10	#9	15'-3"	#10	#9	14'-3"	21	20	19	18	17	20	18	17	16	24	22	21	19	24	22	21	20
22	23'-0 1/2"	23'-2 1/2"	#7	#8	14'-10"	#8	#8	14'-10"	#10	#10	16'-7"	#10	#10	13'-7"	22	21	19	18	17	20	19	18	17	24	23	21	20	24	23	21	20

TABLE NOTE:
1. Bars D and Bars E are for 45° Corner Posts only.
2. See Contract Plans for project wind speed.
3. Soil 1 = Loose Granular Soil, N = 4 to 9;
Soil 2 = Medium Dense Granular Soil, N = 10 to 40.

6/24/2015 6:51:10 AM

PILE DEPTH & REINFORCING SUMMARY

LAST REVISION 07/01/15	DESCRIPTION:	 2016 DESIGN STANDARDS	PRECAST NOISE WALLS	INDEX NO. 5200	SHEET NO. 16 of 16
---------------------------	--------------	--	----------------------------	-------------------	-----------------------