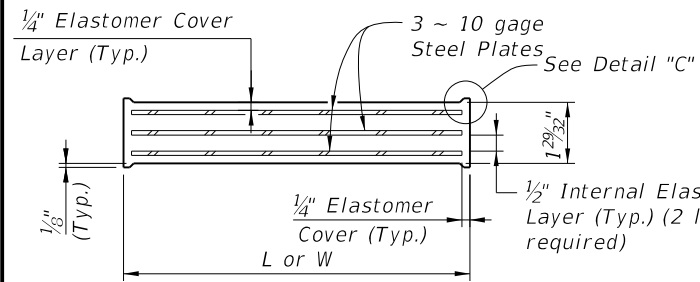
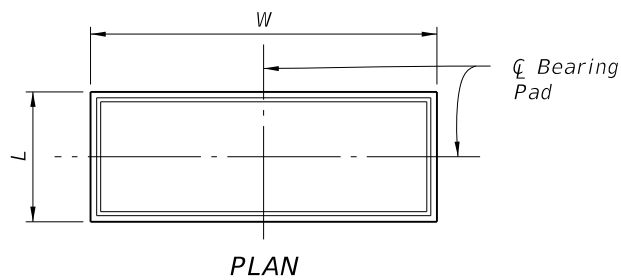
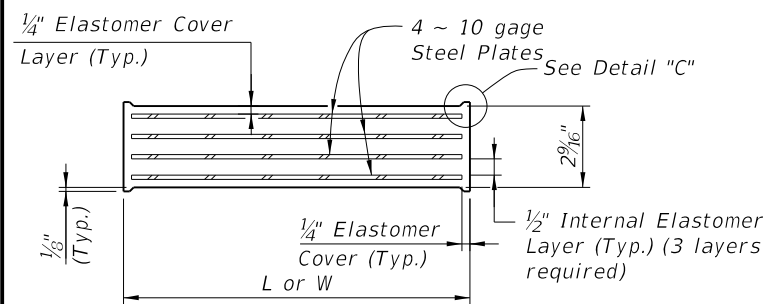


5/22/2014 1:32:17 PM

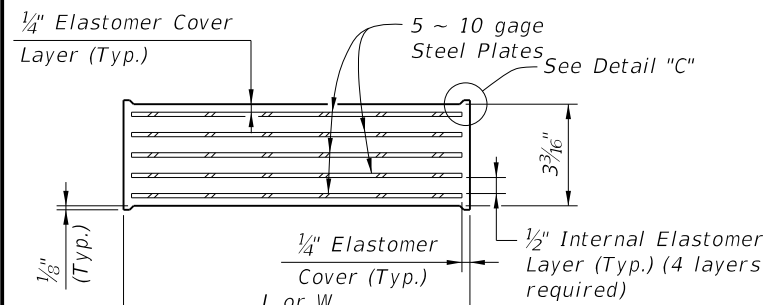
LAST REVISION	DESCRIPTION:	 2015 DESIGN STANDARDS	BEVELED BEARING PLATE DETAILS - PRESTRESSED FLORIDA-U BEAMS	INDEX NO. 20502	SHEET NO. 1 of 1
01/01/10					



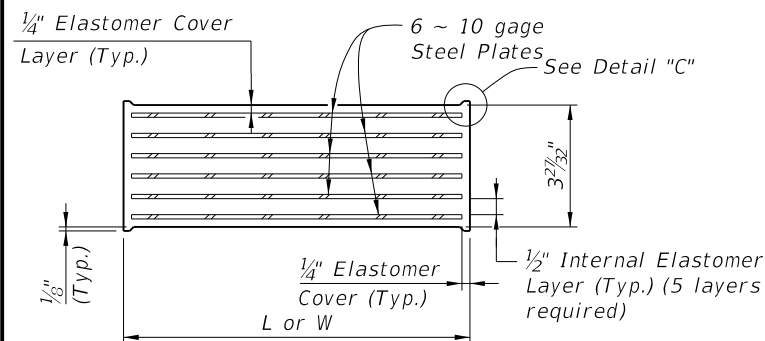
TYPICAL SECTION TYPE D, E & AA PAD



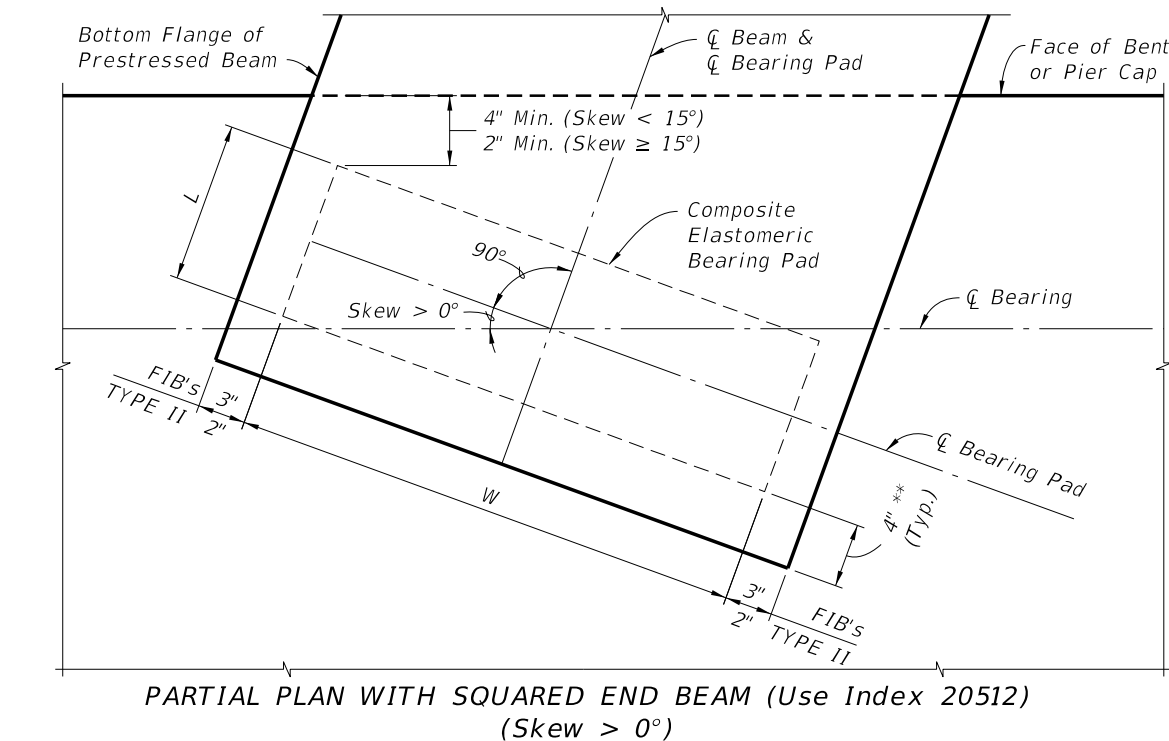
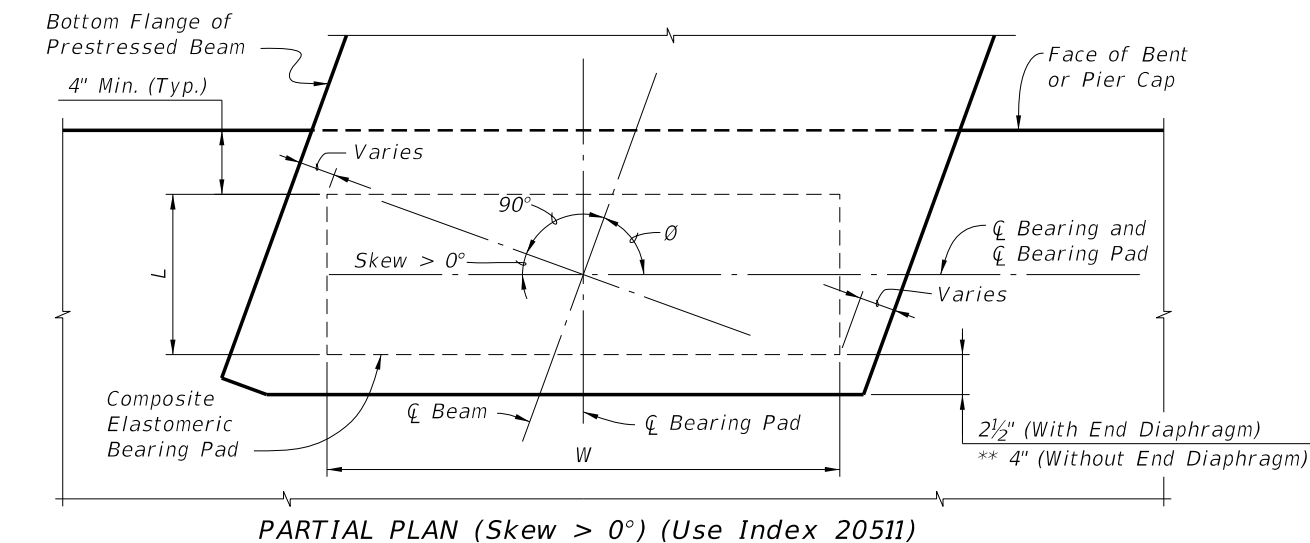
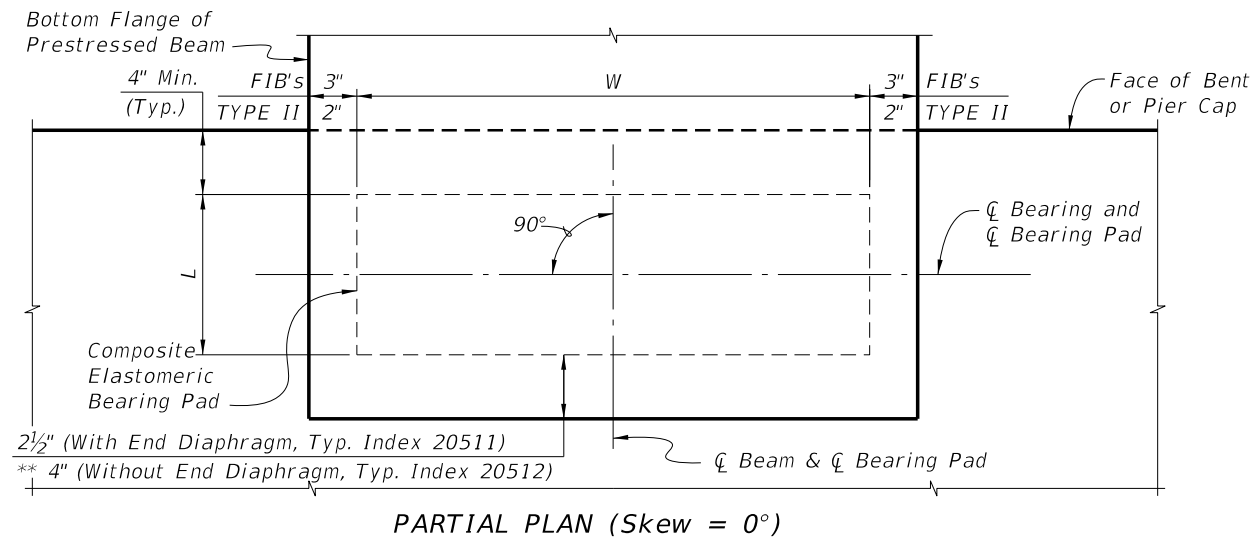
TYPICAL SECTION TYPE F, G & AB PAD



TYPICAL SECTION TYPE H PAD



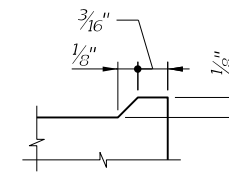
TYPICAL SECTION TYPE J & K PAD



PAD TYPE (See Note 1)	BEAM TYPE	BEARING PAD DIMENSIONS		*BEVELED BEARING PLATE DIMENSIONS	
		L	W	C	D
D (G=110psi)	FLORIDA I-BEAM	8"	2'-8"	1'-0"	3'-0"
E (G=110psi)		10"	2'-8"	1'-0"	3'-0"
F (G=110psi)		10"	2'-8"	1'-0"	3'-0"
G (G=150psi)		10"	2'-8"	1'-0"	3'-0"
H (G=150psi)		10"	2'-8"	1'-0"	3'-0"
J (G=150psi)		10"	2'-8"	1'-0"	3'-0"
K (G=150psi)		1'-0"	2'-8"	1'-1 1/2"	3'-0"
AA (G=110psi)	AASHTO TYPE II	10"	1'-2"	1'-0"	1'-4"
AB (G=150psi)		10"	1'-2"	1'-0"	1'-4"

* Work this sheet with the appropriate type Bearing Plate Detail (See Bearing Plate Data Table) and BEARING PAD DATA TABLE in the Structures Plans. See TABLE OF BEAM VARIABLES and BEARING PLATE DATA TABLE in the Structures Plans for locations where beveled bearing plates are required.

** Offset to End of Beam is reduced to 2" for Type K Pad.



DETAIL "C"

BEARING PAD NOTES:

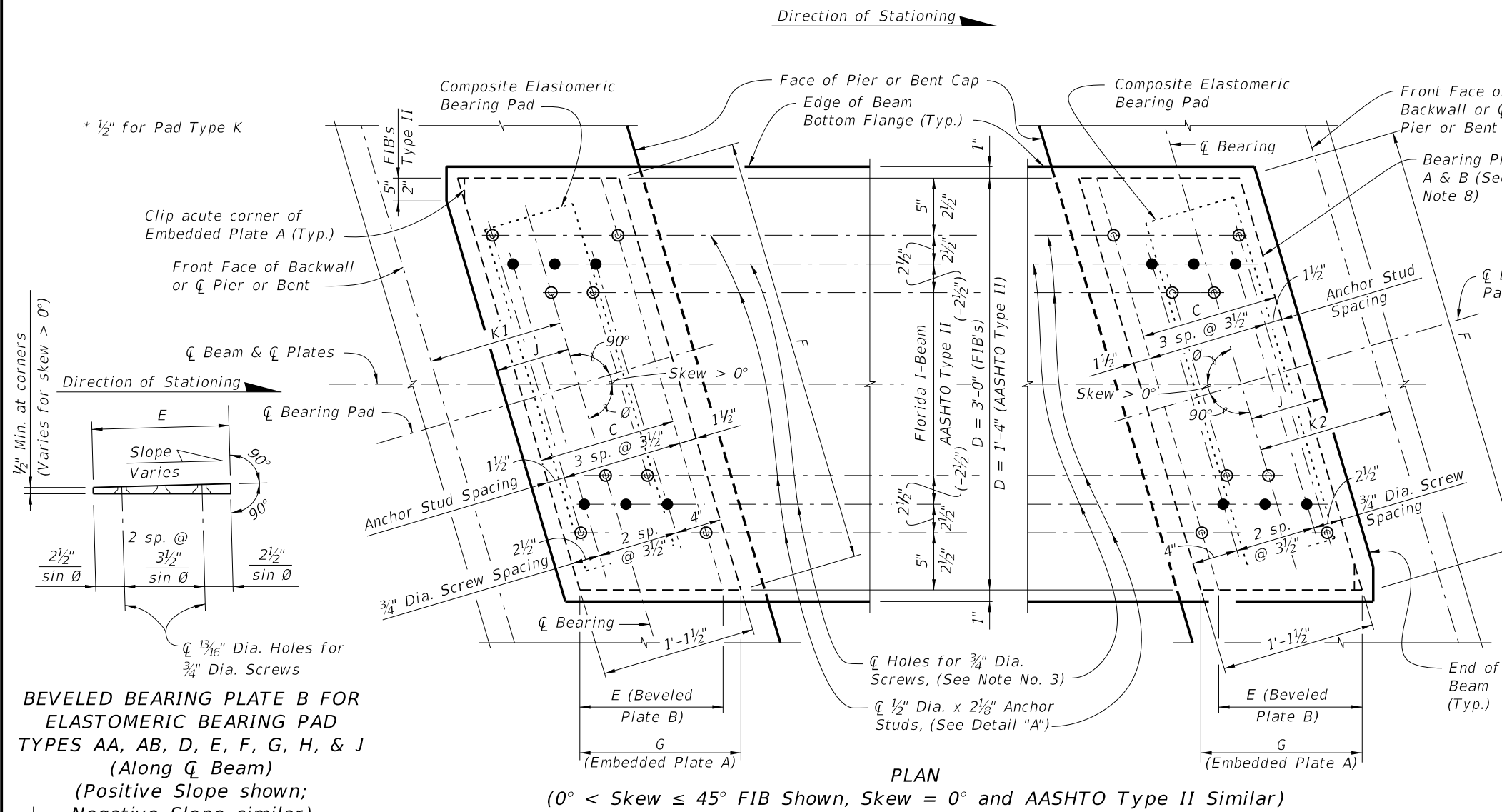
1. Neoprene in Type D, E, F & AA bearing pads shall have a shear modulus (G) of 110 psi. Neoprene in Type G, H, J, K & AB bearing pads shall have a shear modulus (G) of 150 psi.
2. Steel Plates in bearing pads shall conform to ASTM A1011 Grade 36, Type 1.
3. See Bearing Pad Data Table in Structures Plans for quantities of Type D, E, F, G, H, J, K, AA and/or AB Bearing Pads.

5/22/2014 1:32:50 PM

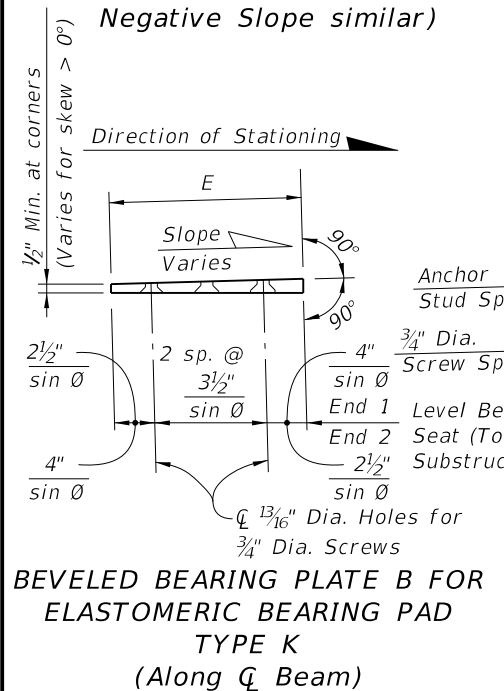
NOTES:

1. Work this sheet with Index No. 20510 - Composite Elastomeric Bearing Pads, and the 'BEARING PLATE DATA TABLE' in the Structures Plans.
2. Embedded Bearing Plates A are required for all Florida-I beams. Beveled Bearing Plates B with Embedded Bearing Plates A are required for beams as scheduled in the 'BEARING PLATE DATA TABLE' in the Structures Plans.
3. Bearing plate material shall conform to ASTM A36 or ASTM A709 (Grade 36 or 50). Headed Concrete Anchor Studs shall conform to Specification Section 502. Hot-dip galvanize Bearing Plates A & B after fabrication except that Galvanized Caps may be welded in place after hot-dip galvanizing. Drill Bearing Plates A and B as an assembled unit, thread Bearing Plate A only. Holes are not required in Plate A when Plate B is not required. Drill and thread holes perpendicular to Embedded Plate A and prior to plates being galvanized (ASTM A 123).
4. Provide Electroplated, Flat Head Cap Screws in accordance with ASTM F 835. Electroplating shall be ASTM B633, SC 2, Type 1. Provide screws long enough to maintain a $\frac{3}{4}$ " minimum embedment into Embedded Bearing Plate A and Galvanized Cap. Provide steel Galvanized Caps with $\frac{1}{2}$ " Min. to $1\frac{1}{2}$ " Max. height and nominal 1" inside diameter.
5. Include the cost of Bearing Plates in the pay item for Prestressed Beams.
6. For Pad Type and Dimensions C, D, E, F and G, see the 'BEARING PLATE DATA TABLE' in the Structures Plans. For Dimensions J, K1 and K2, see 'TABLE OF BEAM VARIABLES' in the Structures Plans.
7. All details and dimensions shown are along \bar{C} Beam, except for dimensions to $\frac{3}{4}$ " Dia. Screws and $\frac{1}{2}$ " Dia. x $2\frac{1}{8}$ " Anchor Studs, which are along \bar{C} Screws or \bar{C} Anchor Studs. Positive Slope shown, Negative Slope similar.
8. When Skew = 0°, F = D = 3'-0" (Florida-I Beams) or 1'-4" (AASHTO Type II Beams) E = C, and G = 1'-1 $\frac{1}{2}$ ".
9. Slope is determined along \bar{C} Beam at \bar{C} Bearing. See 'BEARING PLATE DATA TABLE' in the Structures Plans for Slope and Angle θ .

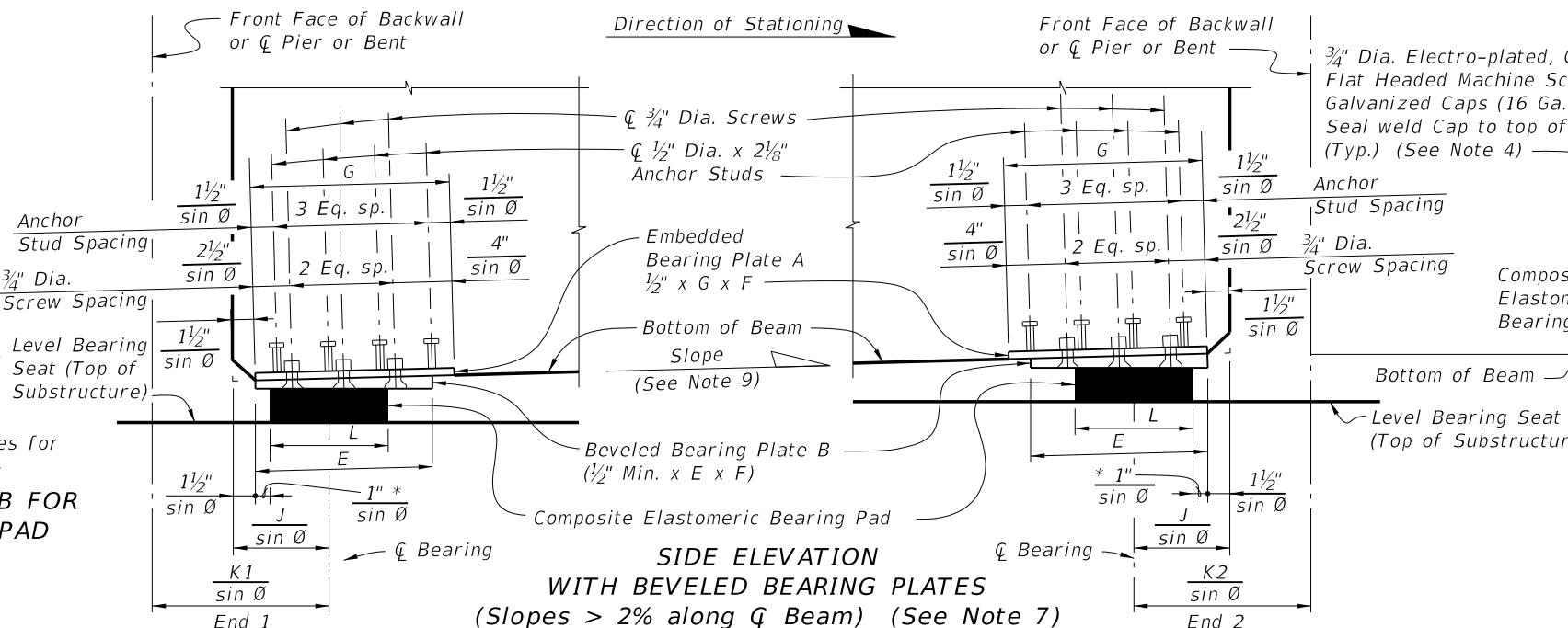
CROSS REFERENCE:
See Sheet 2 for Detail "A".



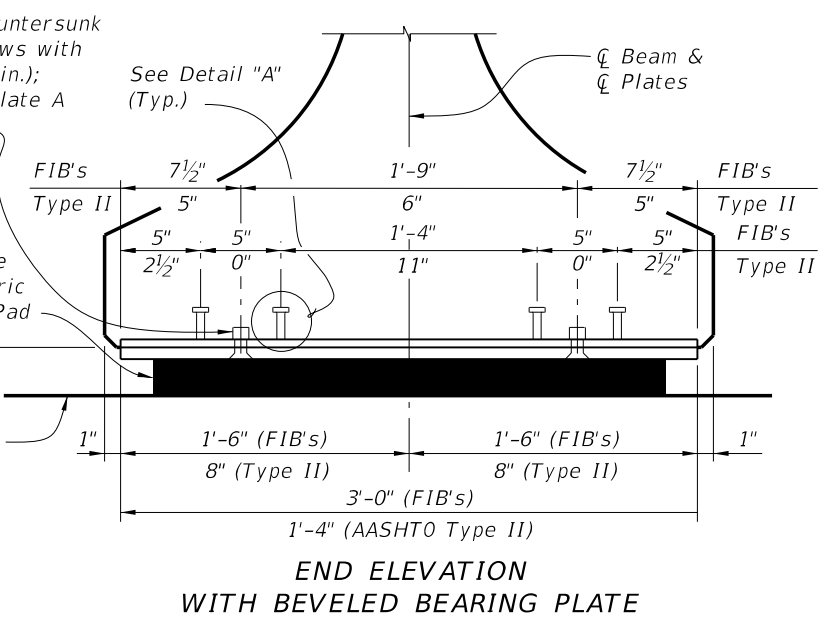
PLAN
(0° < Skew ≤ 45° FIB Shown, Skew = 0° and AASHTO Type II Similar)



BEVELED BEARING PLATE B FOR ELASTOMERIC BEARING PAD TYPE K
(Along \bar{C} Beam)

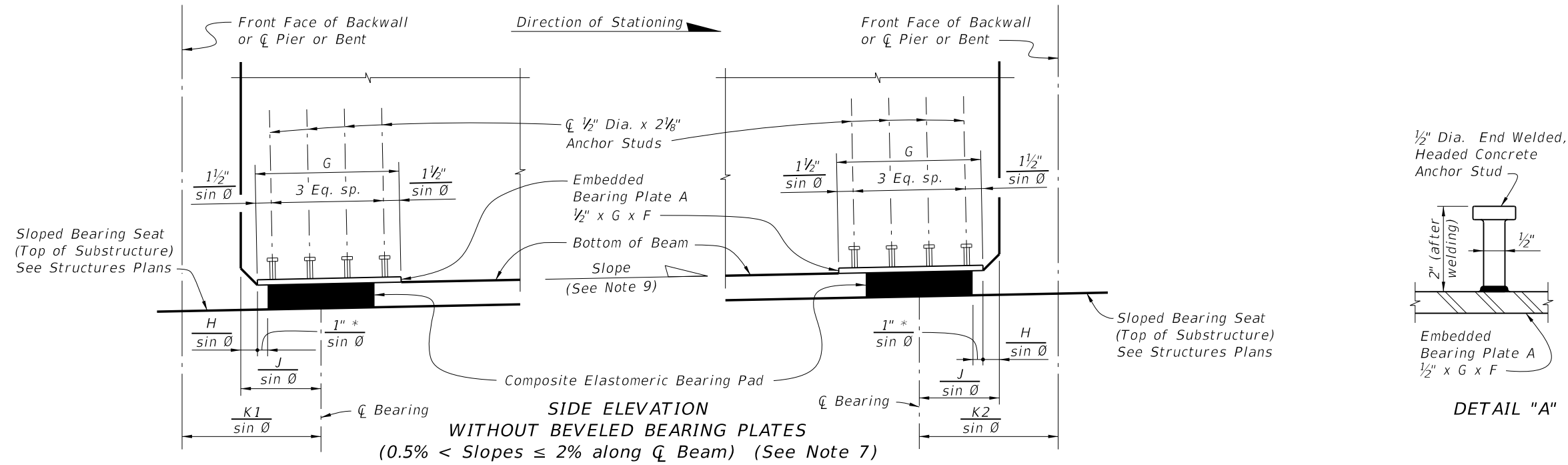
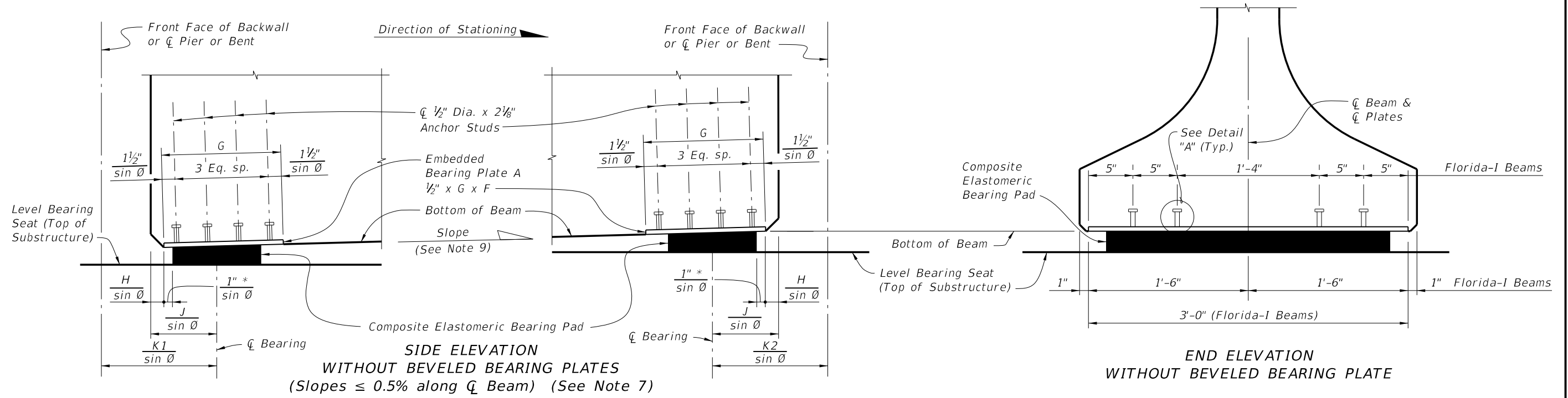


SIDE ELEVATION WITH BEVELED BEARING PLATES
(Slopes > 2% along \bar{C} Beam) (See Note 7)



END ELEVATION WITH BEVELED BEARING PLATE

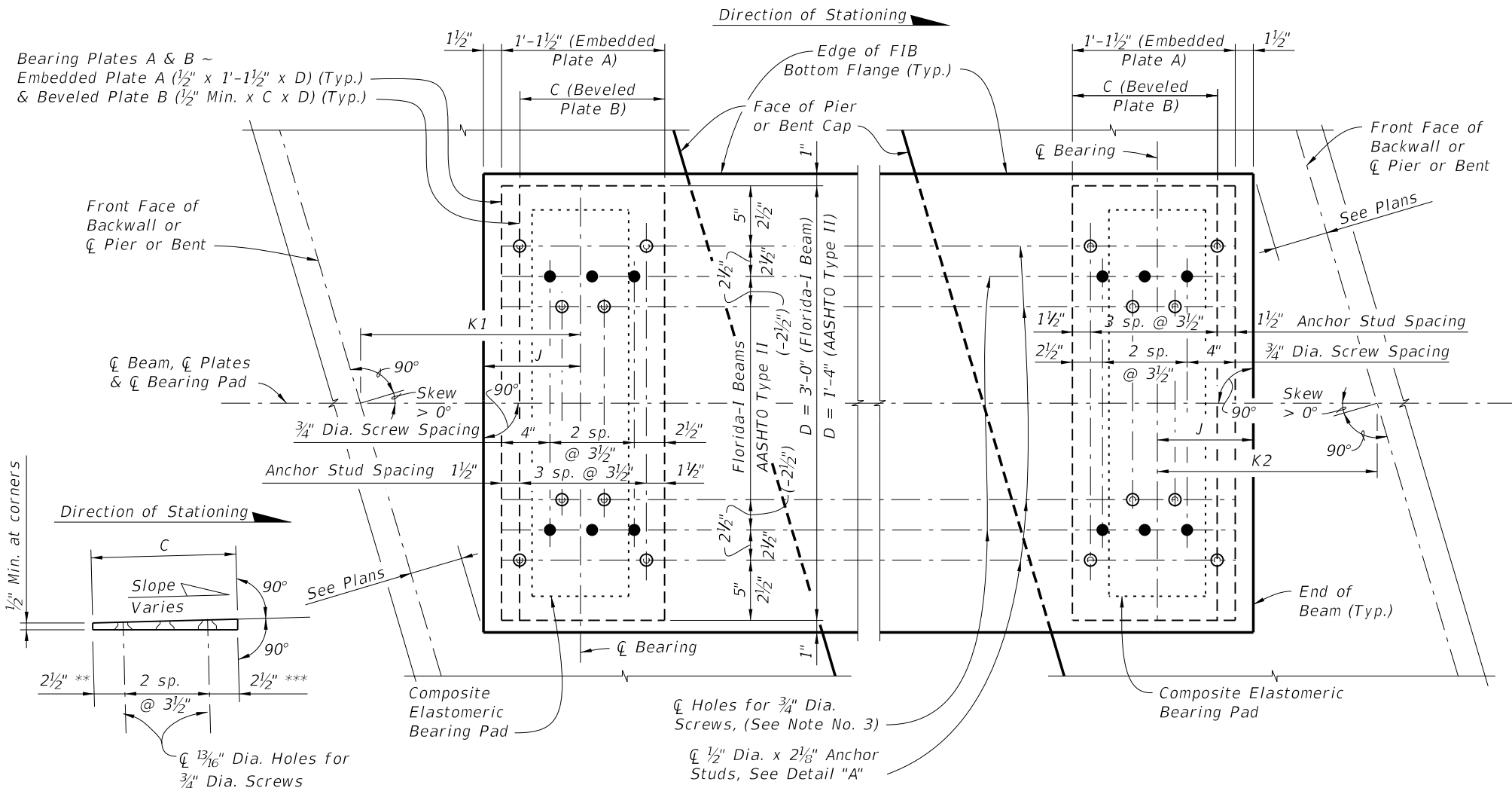
LAST REVISION 07/01/14	REVISION	DESCRIPTION:	 2015 DESIGN STANDARDS	BEARING PLATES (TYPE 1) - PRESTRESSED FLORIDA-I AND AASHTO TYPE II BEAMS	INDEX NO.	SHEET NO.
					20511	1 of 2



CROSS REFERENCE:
See Sheet 1 for dimension H and Notes.

6/25/2014 7:42:53 AM

LAST REVISION 07/01/14	REVISION	DESCRIPTION:	 2015 DESIGN STANDARDS	BEARING PLATES (TYPE 1) - PRESTRESSED FLORIDA-I AND AASHTO TYPE II BEAMS	INDEX NO. 20511	SHEET NO. 2 of 2
---------------------------	----------	--------------	------------------------------	---	--------------------	---------------------



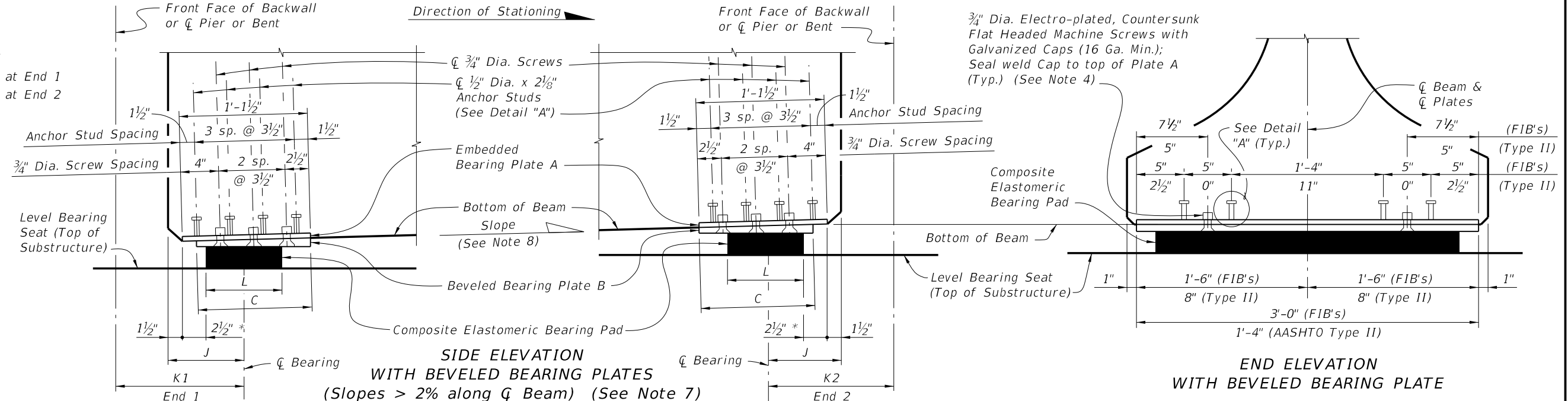
- NOTES:**
1. Work this sheet with Index No. 20510 - Composite Elastomeric Bearing Pads, and 'BEARING PLATE DATA TABLE' in the Structures Plans.
 2. Embedded Bearing Plates A are required for all Florida-I beams. Beveled Bearing Plates B with Embedded Bearing Plates A are required for beams as scheduled in the 'BEARING PLATE DATA TABLE' in the Structures Plans.
 3. Bearing plate material shall conform to ASTM A36 or ASTM A709 (Grade 36 or 50). Headed Concrete Anchor Studs shall conform to Specification Section 502. Hot-dip galvanize Bearing Plates A & B after fabrication except that Galvanized Caps may be welded in place after hot-dip galvanizing. Drill Bearing Plates A and B as an assembled unit, thread Bearing Plate A only. Holes are not required in Plate A when Plate B is not required. Drill and thread holes perpendicular to Embedded Plate A and prior to plates being galvanized (ASTM A 123).
 4. Provide Electroplated, Flat Head Cap Screws in accordance with ASTM F 835. Electroplating shall be ASTM B633, SC 2, Type 1. Provide screws long enough to maintain a 3/4" minimum embedment into Embedded Bearing Plate A and Galvanized Cap. Provide steel Galvanized Caps with 1/2" Min. to 1 1/2" Max. height and nominal 1" inside diameter.
 5. Include the cost of Bearing Plates in the pay item for Prestressed Beams.
 6. For Pad Type and Dimension C, see the 'BEARING PLATE DATA TABLE' in the Structures Plans. For Dimensions J, K1 and K2, see 'TABLE OF BEAM VARIABLES' in the Structures Plans.
 7. All details and dimensions shown are along \bar{C} Beam. Positive Slope shown, Negative Slope similar.
 8. Slope is determined along \bar{C} Beam at \bar{C} Bearing. See 'BEARING PLATE DATA TABLE' in the Structures Plans for Slope.

BEVELED BEARING PLATE B (Along \bar{C} Beam)
 (Positive Slope shown; Negative Slope similar)

PLAN
 (FIB Skewed Alignment Shown, Skew = 0° and AASHTO Type II Similar)

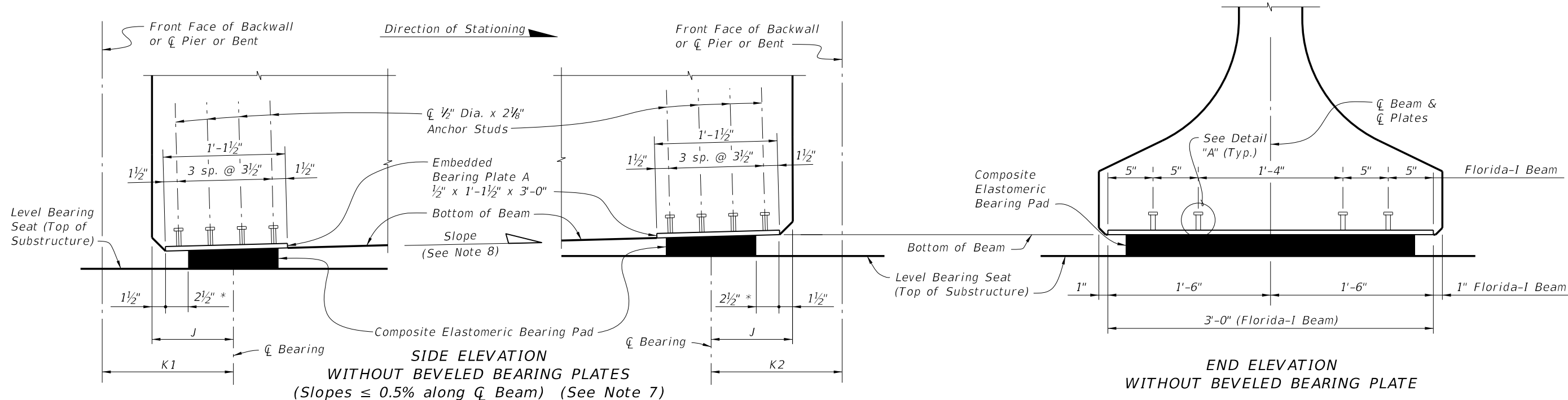
CROSS REFERENCE:
 See Sheet 2 for Detail "A"

- LEGEND:**
- * 1/2" for Pad Type K
 - ** 4" for Pad Type K at End 1
 - *** 4" for Pad Type K at End 2

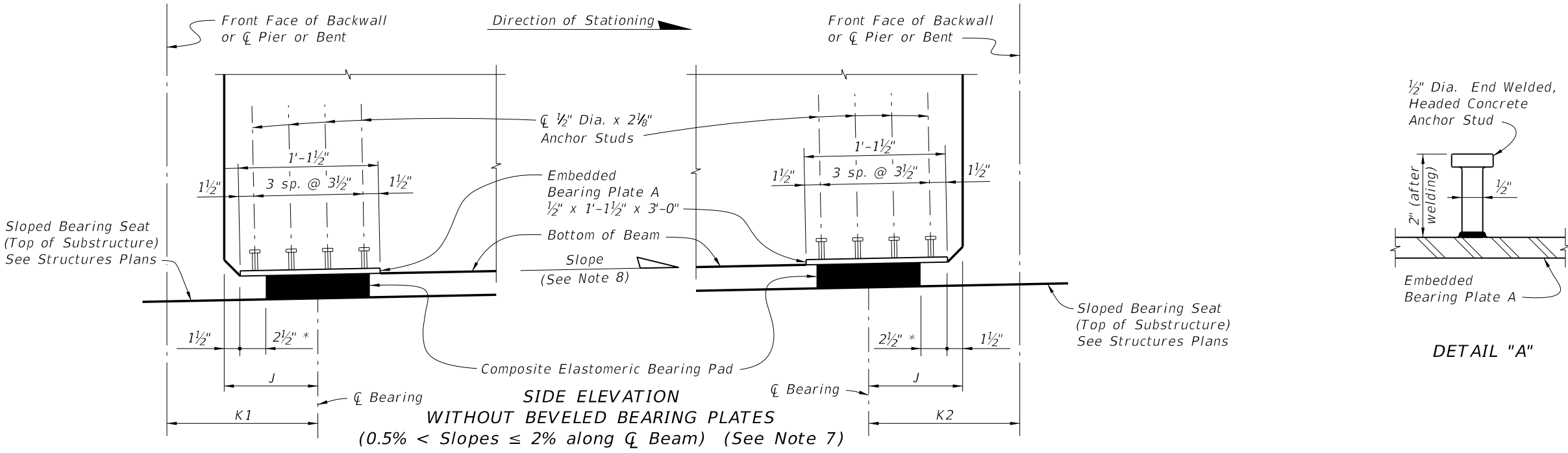


5/22/2014 3:31:34 PM

LAST REVISION 07/01/14	REVISION	DESCRIPTION:	 2015 DESIGN STANDARDS	BEARING PLATES (TYPE 2) - PRESTRESSED FLORIDA-I AND AASHTO TYPE II BEAMS	INDEX NO. 20512	SHEET NO. 1 of 2
---------------------------	----------	--------------	----------------------------------	---	---------------------------	----------------------------



* 1/2" for Pad Type K



CROSS REFERENCE:
See Sheet 1 for Notes.

5/22/2014 3:31:36 PM

LAST REVISION 07/01/14	REVISION	DESCRIPTION:	 2015 DESIGN STANDARDS	BEARING PLATES (TYPE 2) - PRESTRESSED FLORIDA-I AND AASHTO TYPE II BEAMS	INDEX NO. 20512	SHEET NO. 2 of 2
---------------------------	----------	--------------	------------------------------	---	--------------------	---------------------