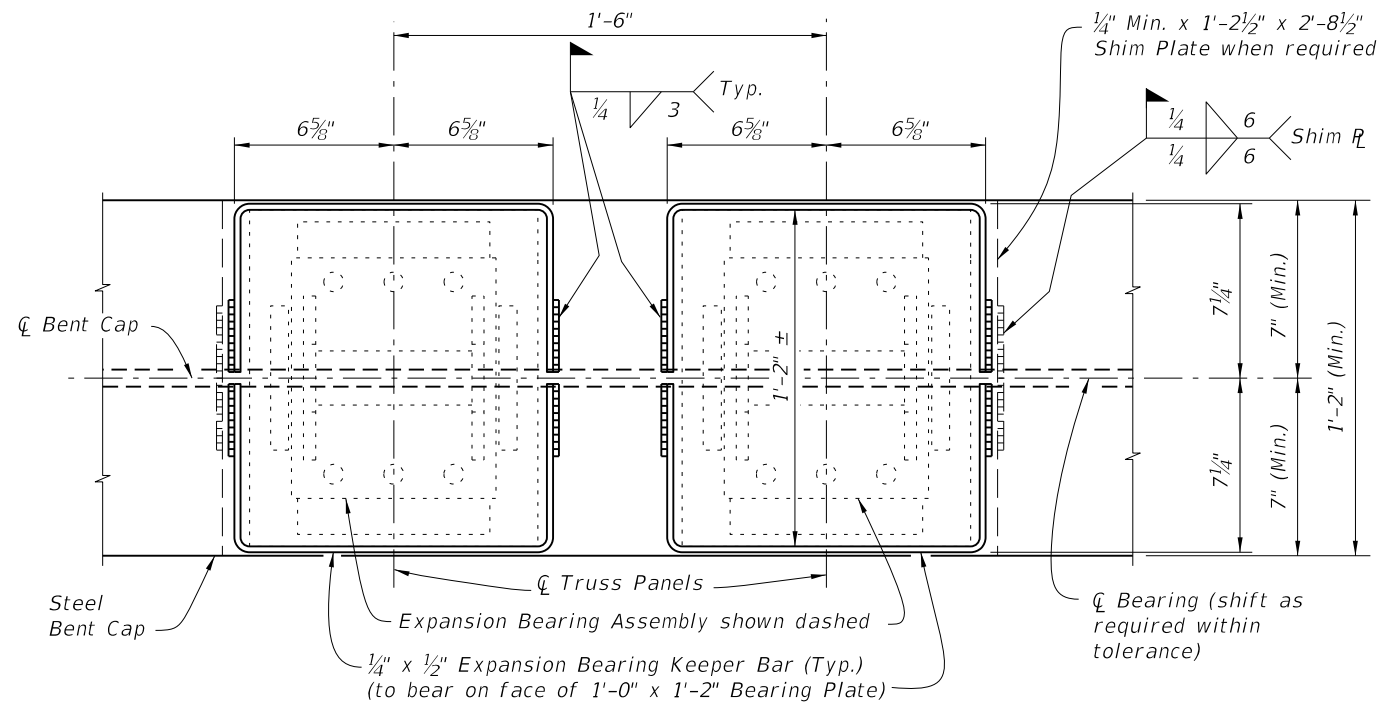
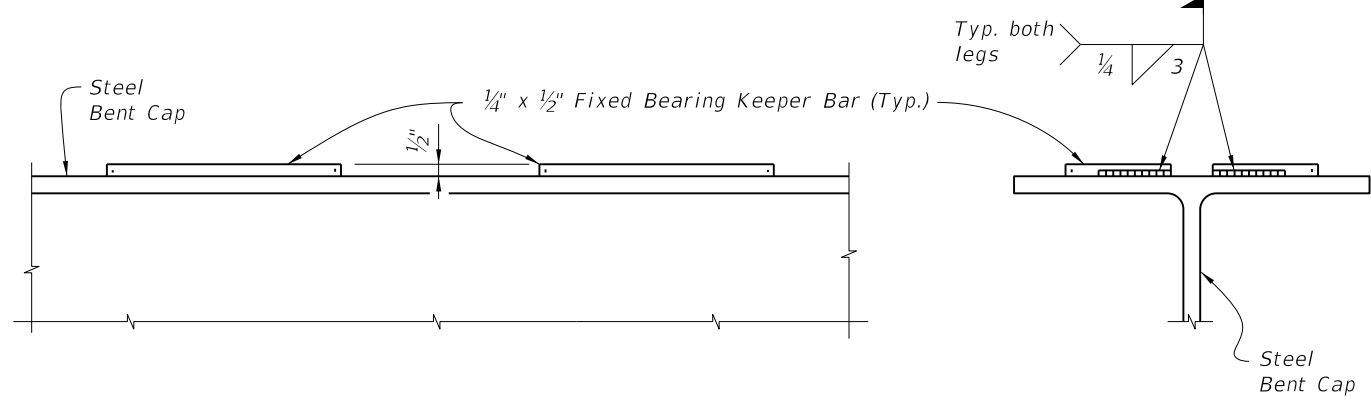


PARTIAL PLAN VIEW

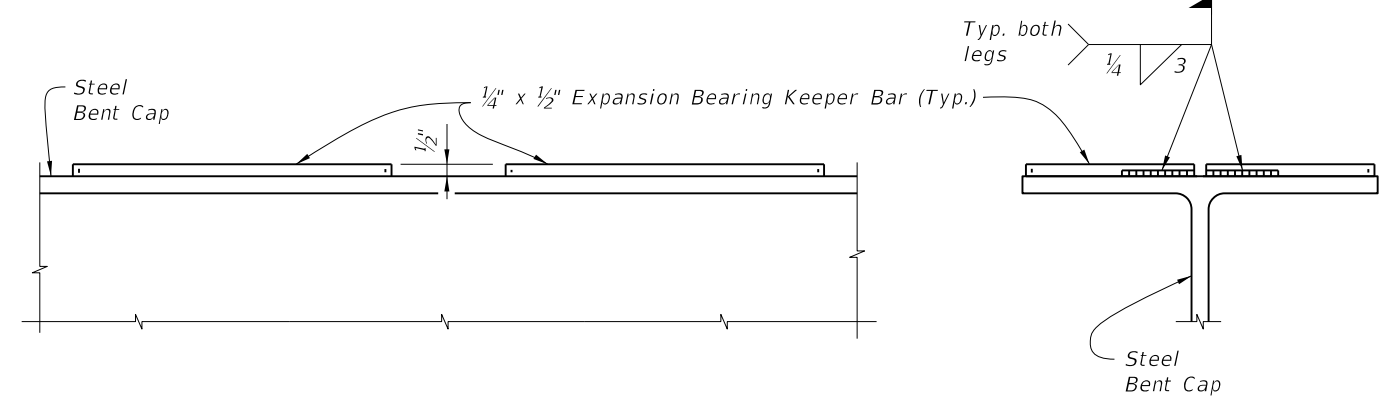


PARTIAL PLAN VIEW



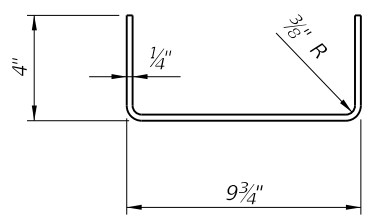
PARTIAL ELEVATION VIEW

END VIEW



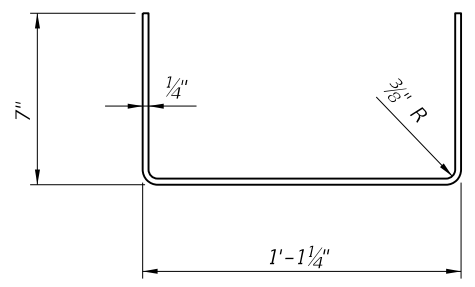
PARTIAL ELEVATION VIEW

END VIEW



FIXED BEARING KEEPER BAR DETAIL

==== FIXED BEARING DETAILS ====

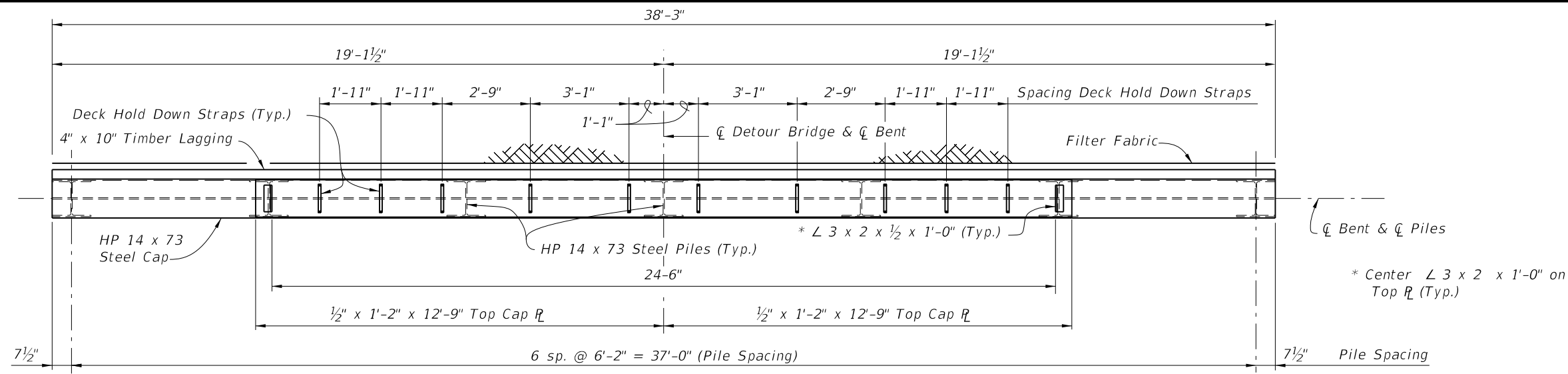


EXPANSION BEARING KEEPER BAR DETAIL

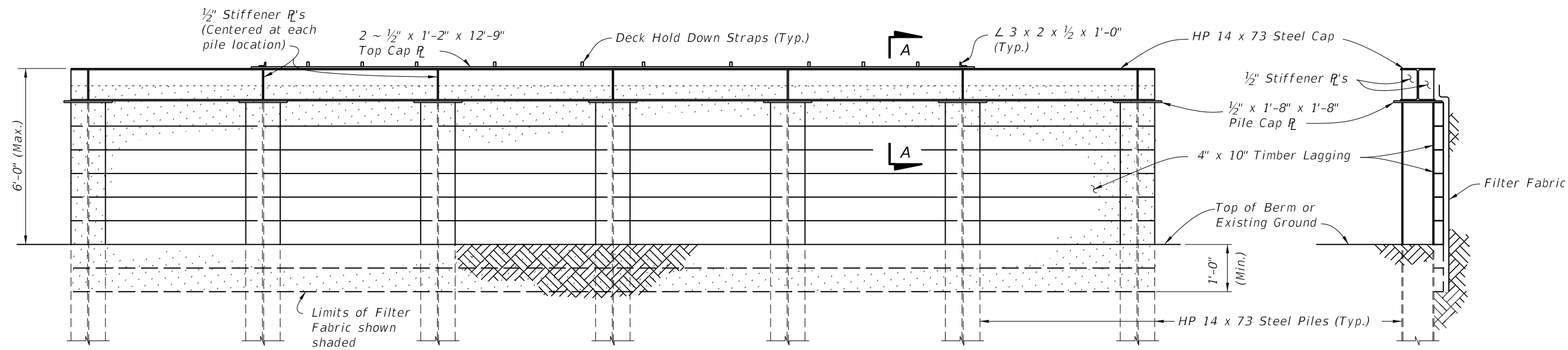
==== EXPANSION BEARING DETAILS ====

5/22/2014 2:47:06 PM

LAST REVISION 07/01/13	REVISION	DESCRIPTION:		2015 DESIGN STANDARDS	TEMPORARY DETOUR BRIDGE DETAILS STEEL H PILE FOUNDATIONS	INDEX NO. 21620	SHEET NO. 1 of 2
---------------------------	----------	--------------	--	--------------------------	---	--------------------	---------------------

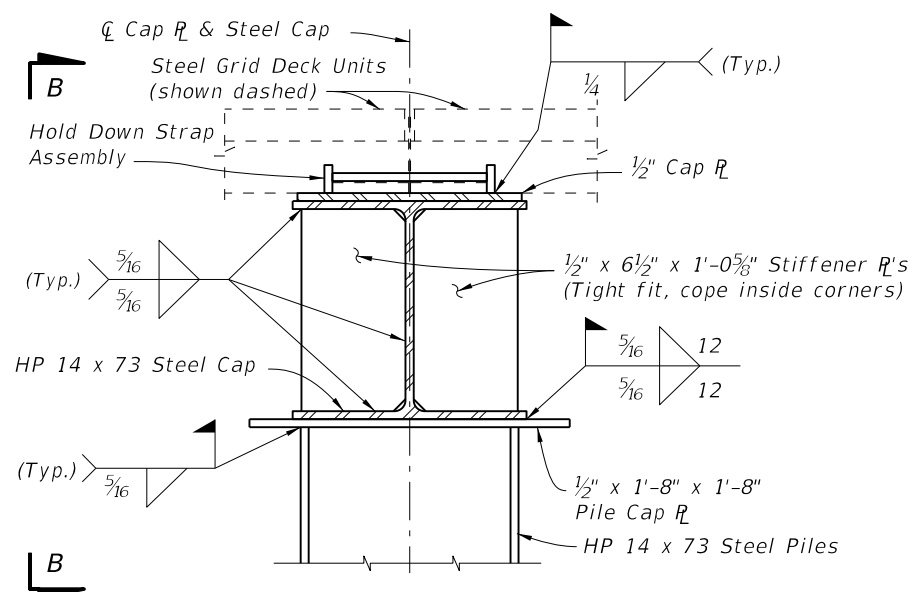


PLAN VIEW

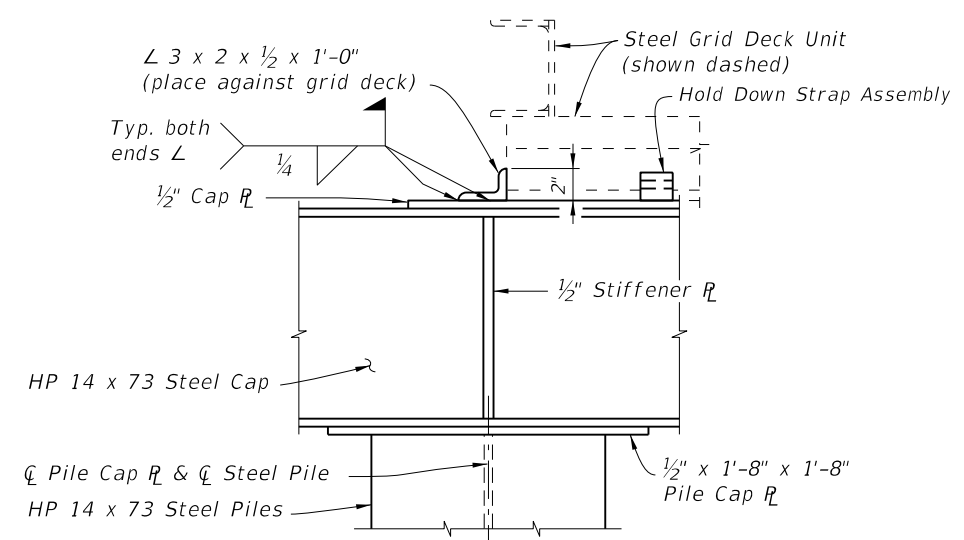


ELEVATION VIEW

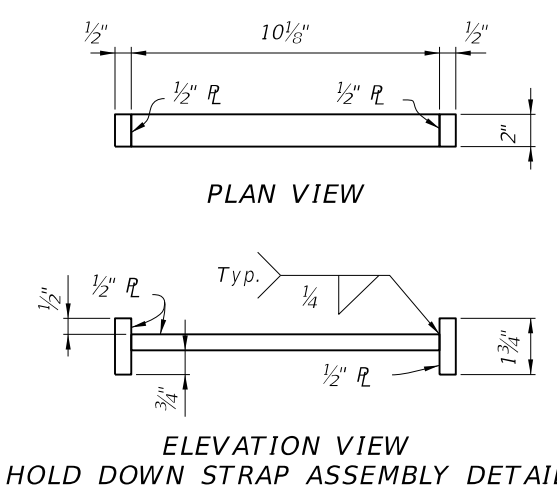
END VIEW



SECTION A-A (LAGGING NOT SHOWN FOR CLARITY)



VIEW B-B



BACKWALL BENT DETAILS

5/22/2014 2:47:07 PM

LAST REVISION	REVISION	DESCRIPTION:	 2015 DESIGN STANDARDS	TEMPORARY DETOUR BRIDGE DETAILS STEEL H PILE FOUNDATIONS	INDEX NO. 21620	SHEET NO. 2 of 2
07/01/06						