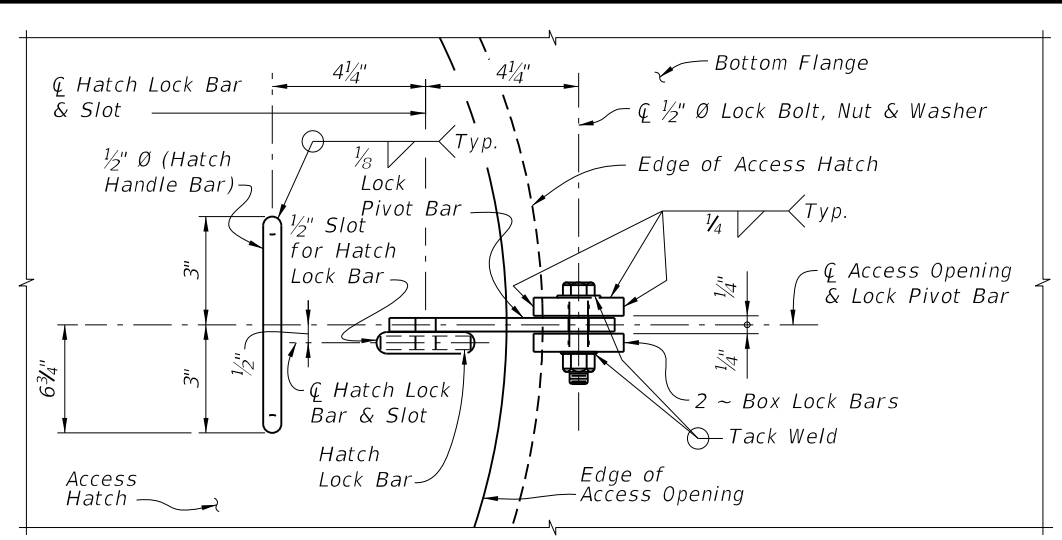
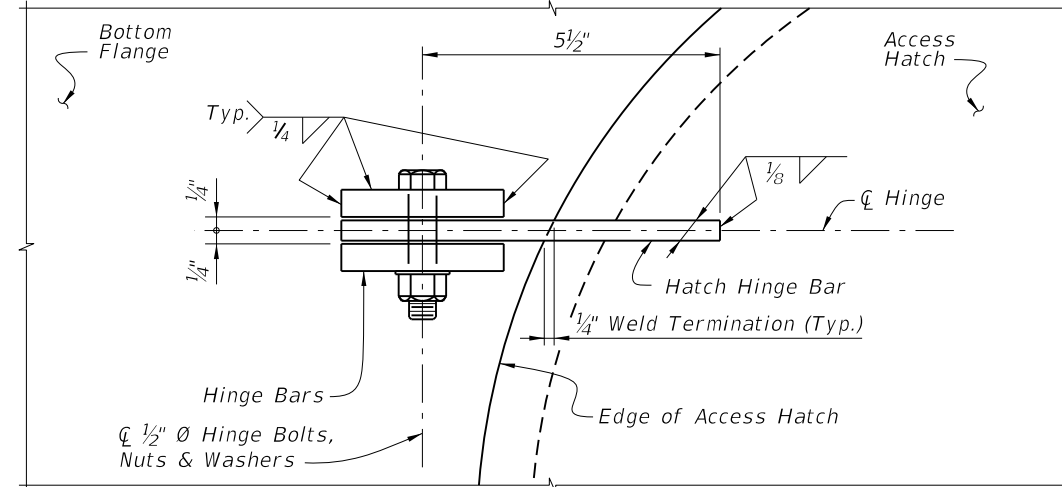


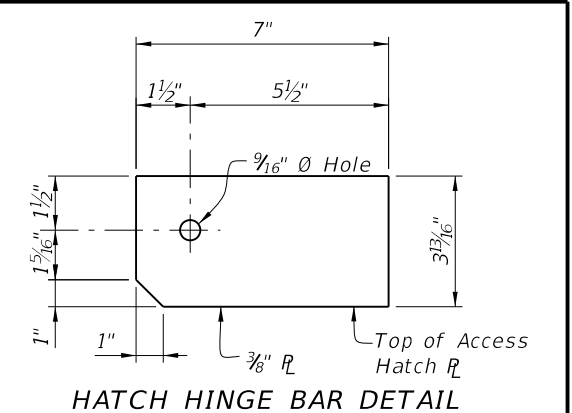
PLAN VIEW OF ACCESS HATCH ASSEMBLY



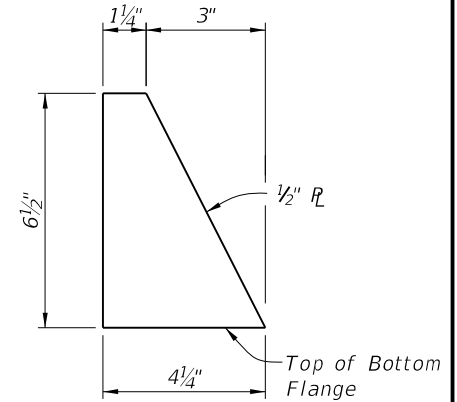
VIEW A-A



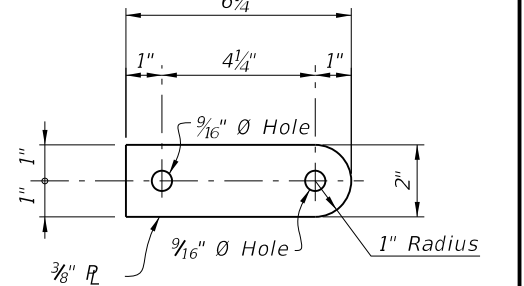
HINGE DETAIL



HATCH HINGE BAR DETAIL

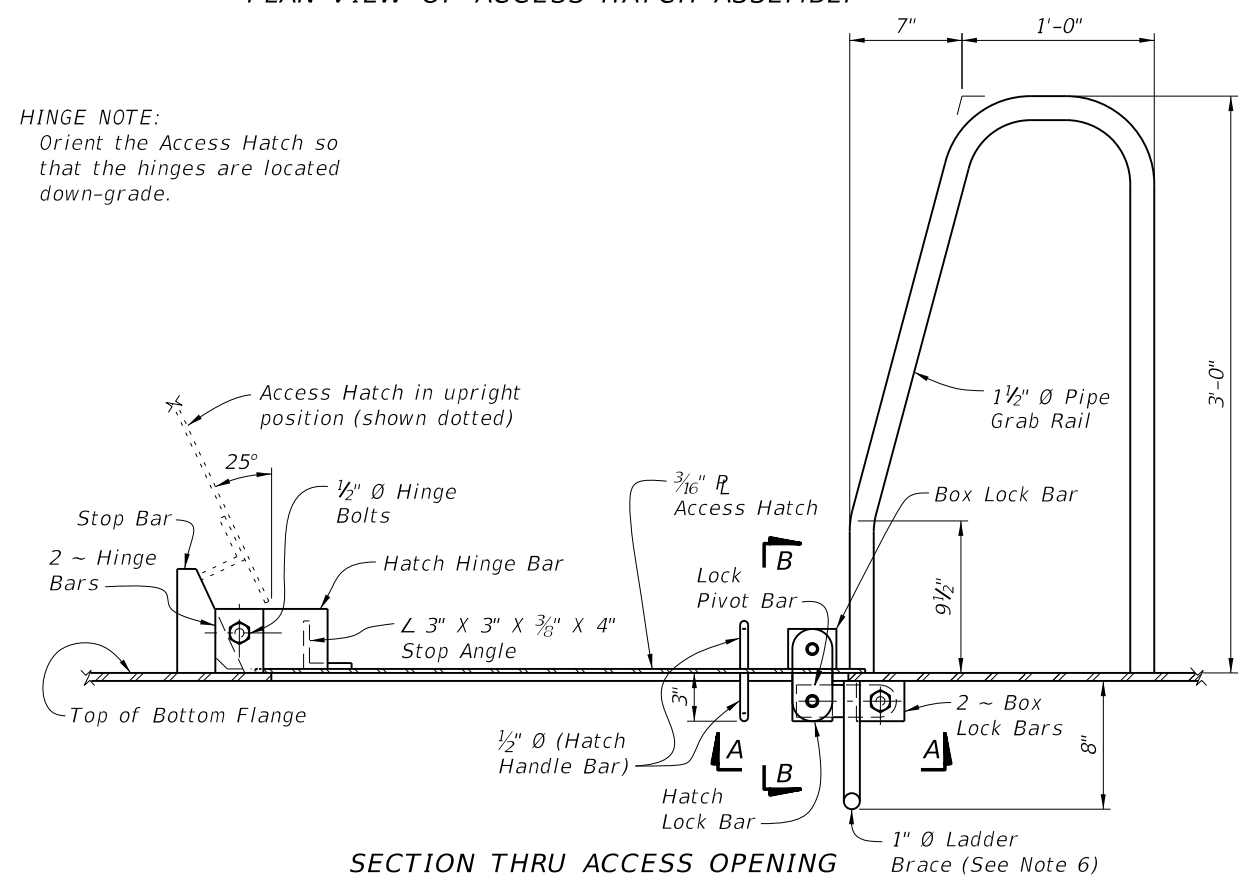


STOP BAR DETAIL

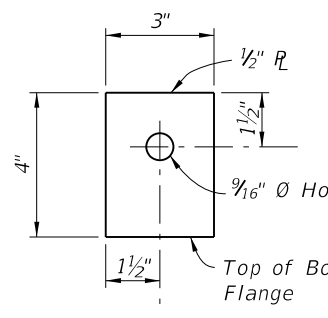


LOCK PIVOT BAR DETAIL

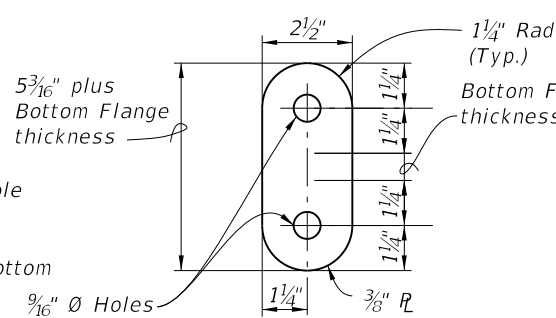
HINGE NOTE:  
Orient the Access Hatch so that the hinges are located down-grade.



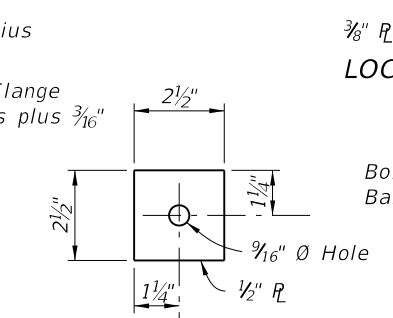
SECTION THRU ACCESS OPENING



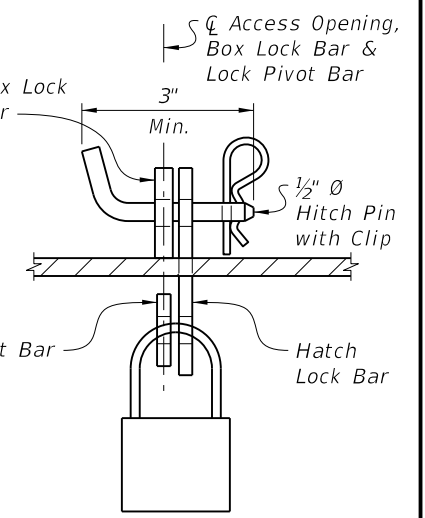
HINGE BAR DETAIL



HATCH LOCK BAR DETAIL



BOX LOCK BAR DETAIL



VIEW B-B HATCH LOCK ASSEMBLY DETAIL

NOTES:

1. All Structural Steel material in Access Hatch Assemblies shall conform to ASTM A709 Grade 36.
2. 1 1/2" Pipe Grab Rail shall be in accordance with ASTM A53 Grade B for standard weight pipe (Schedule 40).
3. 1/2" Hatch Handle Bar, Hitch Pin and 1" Ladder Brace shall be in accordance with ASTM A36.
4. All bolts shall conform to ASTM A307 or A449. All nuts shall conform to ASTM A563 and all washers shall conform to ASTM F-436.
5. All exposed edges of plates and openings shall be ground smooth.
6. Place Ladder Brace near the End Bents exclusively and only when the height is reasonable for access by a Ladder.
7. See Framing Plan sheets for locations of Access Hatch Openings.
8. Coat structural steel in accordance with Specification Section 560.
9. All costs associated with Access Hatch Assembly and incidental items will be paid for under the Access Hatch Assembly pay item. No separate payment will be made for coating structural steel.

6/25/2014 7:43:32 AM

LAST REVISION 01/01/11	REVISION	DESCRIPTION:	<b>2015 DESIGN STANDARDS</b>	<b>ACCESS HATCH ASSEMBLY FOR STEEL BOX SECTIONS</b>	INDEX NO. <b>21250</b>	SHEET NO. <b>1 of 1</b>
---------------------------	----------	--------------	------------------------------	---	---------------------------	----------------------------