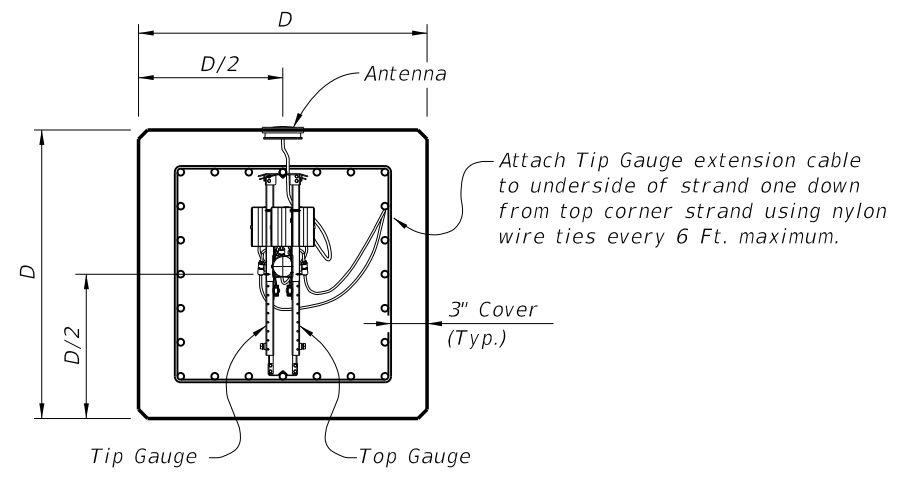
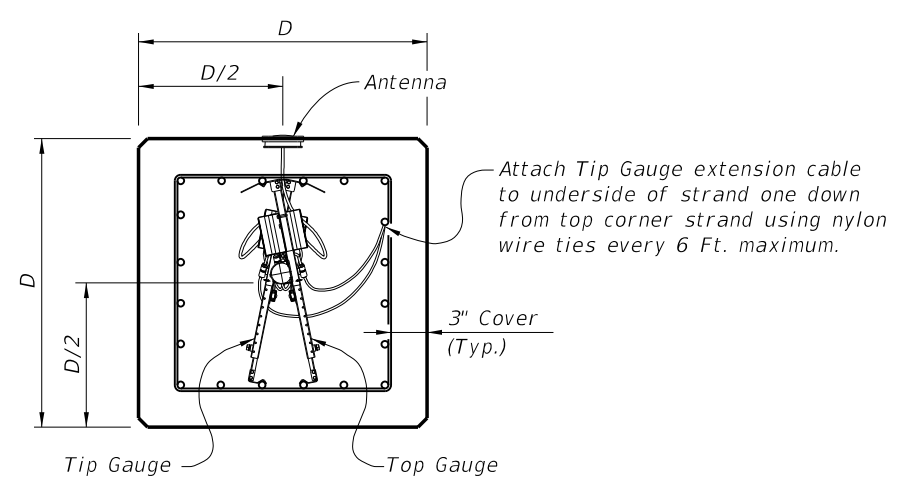


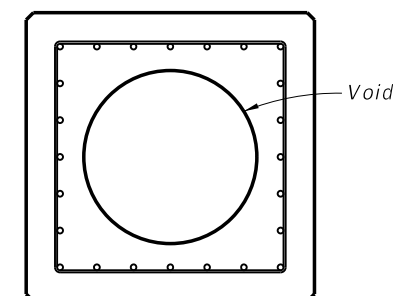
ELEVATION



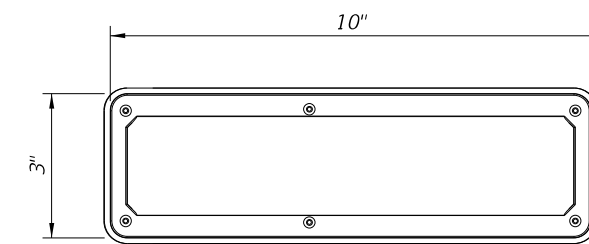
SECTION A-A
(Strand Pattern with odd number of strands per face)



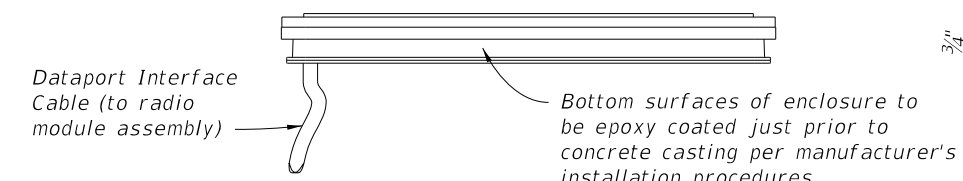
SECTION A-A
(Strand Pattern with even number of strands per face)



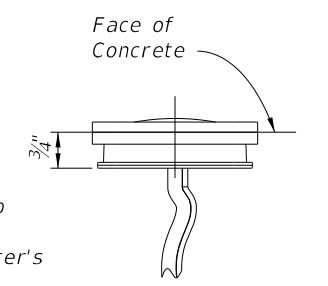
SECTION B-B
(Showing Voided Pile,
Solid Pile Similar)



ANTENNA TOP VIEW




ANTENNA SIDE VIEW



ANTENNA END VIEW

NOTE:
Provide EDC Instrumentation in square prestressed concrete piles (18" and larger) in accordance with Specification Section 455 for bridge foundations.

5/22/2014 1:38:16 PM

LAST REVISION 07/01/14	REVISION	DESCRIPTION:	 2015 DESIGN STANDARDS	EDC INSTRUMENTATION FOR SQUARE PRESTRESSED CONCRETE PILES	INDEX NO. 20602	SHEET NO. 1 of 1
---------------------------	----------	--------------	---	--	--------------------	---------------------