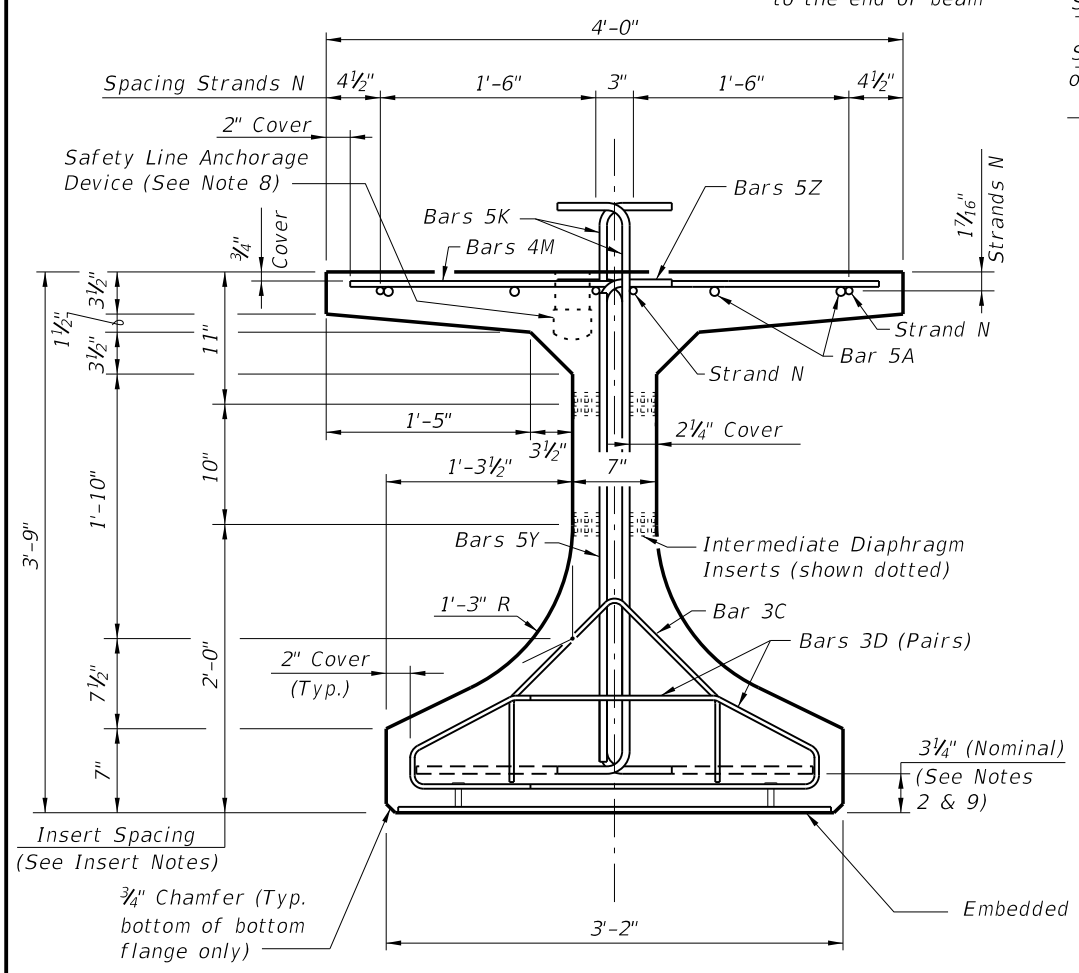
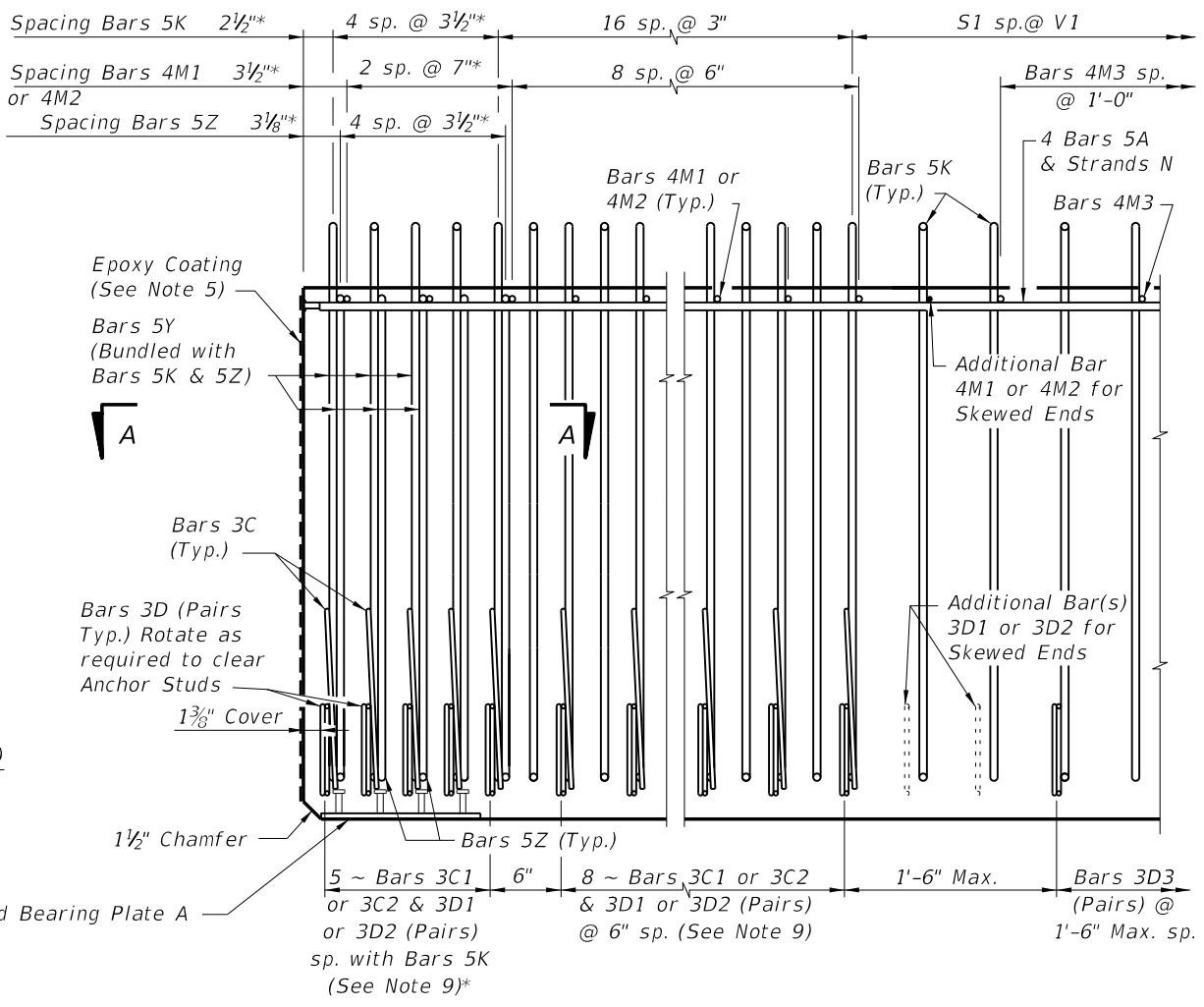


\* These dimensions are measured perpendicular to the end of beam



END VIEW



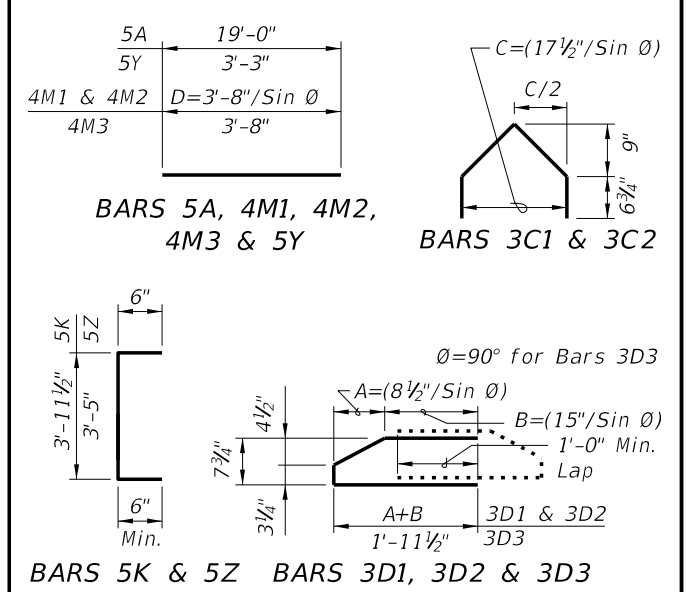
ELEVATION AT END OF BEAM  
(Flanges Not Shown For Clarity)  
(End 1 Shown, End 2 Similar)

CONVENTIONAL REINFORCING  
BAR BENDING DETAILS

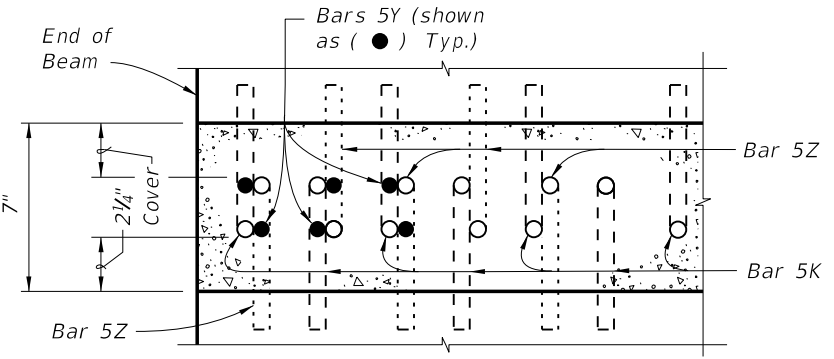
BILL OF REINFORCING STEEL

MARK	NOTE NUMBERS	SIZE	NUMBER REQUIRED	LENGTH (NOTE 1)
A	—	5	8	19'-0"
C1	9, 10 & 11	3	13 (End 1)	Varies
C2	9, 10 & 11	3	13 (End 2)	Varies
D1	9, 10, 11 & 14	3	26 (End 1)	Varies
D2	9, 10, 11 & 14	3	26 (End 2)	Varies
D3	9 & 14	3	See Table	4'-3"
K	2, 9, 11 & 13	5	See Table	4'-11"
M1	9 & 10	4	11 (End 1)	Varies
M2	9 & 10	4	11 (End 2)	Varies
M3	9	4	See Table	3'-8"
N	3 & 4	3/8" Ø Strand	4	Dim. L
Y	9 & 11	5	12	3'-3"
Z	2, 9, 11 & 13	5	10	4'-5"

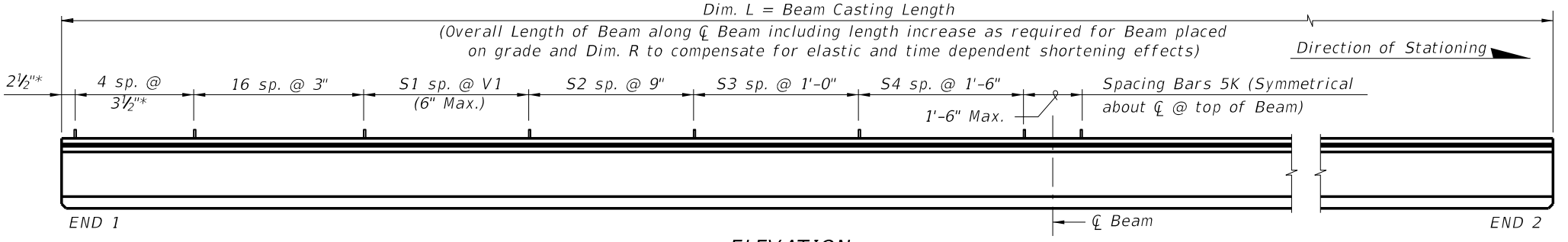
BENDING DIAGRAMS (See Note 1)



- NOTES:
- A. Work this Index with Index No. 20010 - Typical Florida-I Beam Details and Notes and the Florida-I Beam - Table of Beam Variables in Structures Plans.
  - B. For referenced notes, see Index No. 20010.
  - C. For Dimensions A, B, C, D, L, R & V1 and number of spaces S1 thru S4, see Florida-I Beam - Table of Beam Variables in Structures Plans.

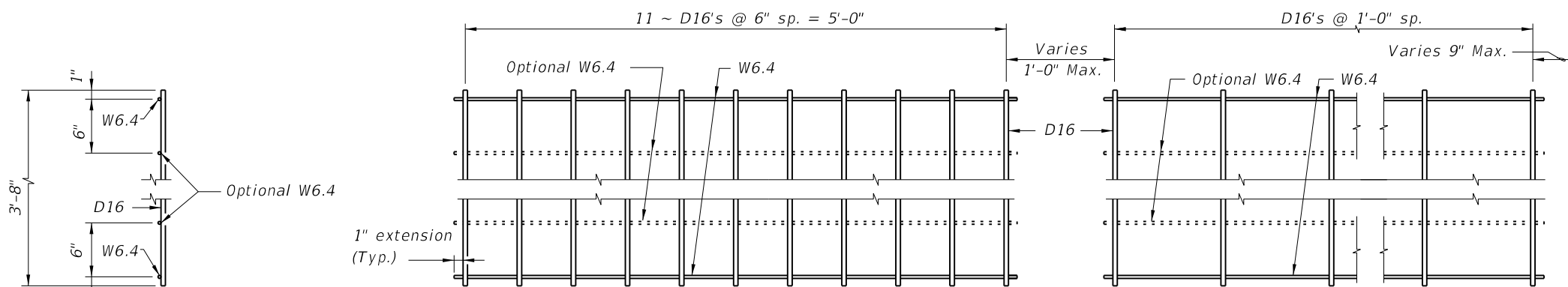


SECTION A-A FOR CONVENTIONAL REINFORCING  
(Showing Bars 5K, 5Y & 5Z Only)



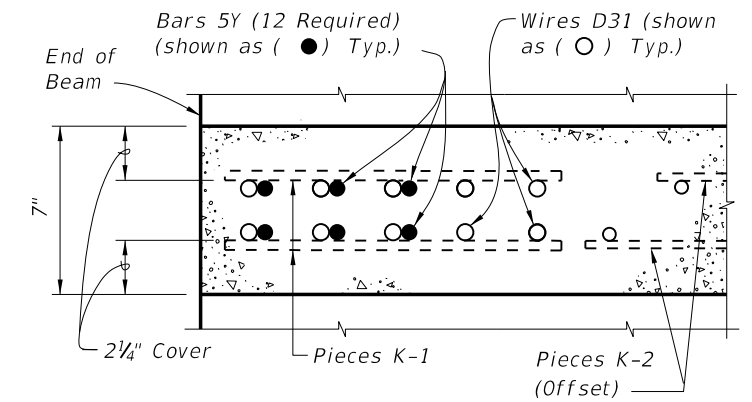
ELEVATION

ALTERNATE REINFORCING STEEL (WELDED WIRE REINFORCEMENT) DETAILS

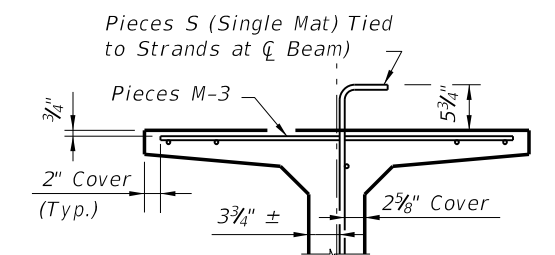


PLAN VIEW  
PIECE M-1  
(2 Required)

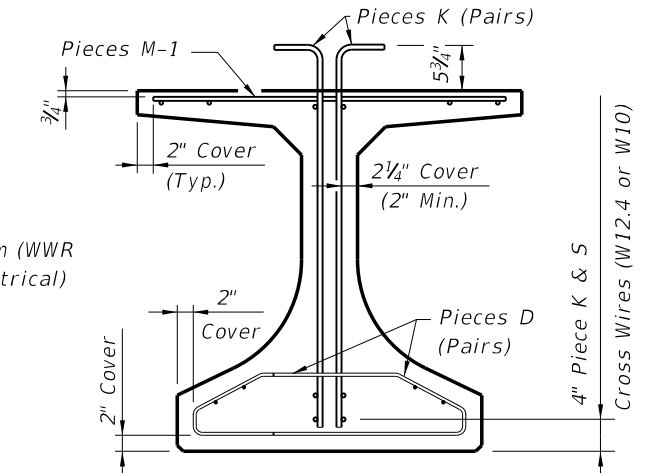
PLAN VIEW  
PIECE M-3  
(2 Required)



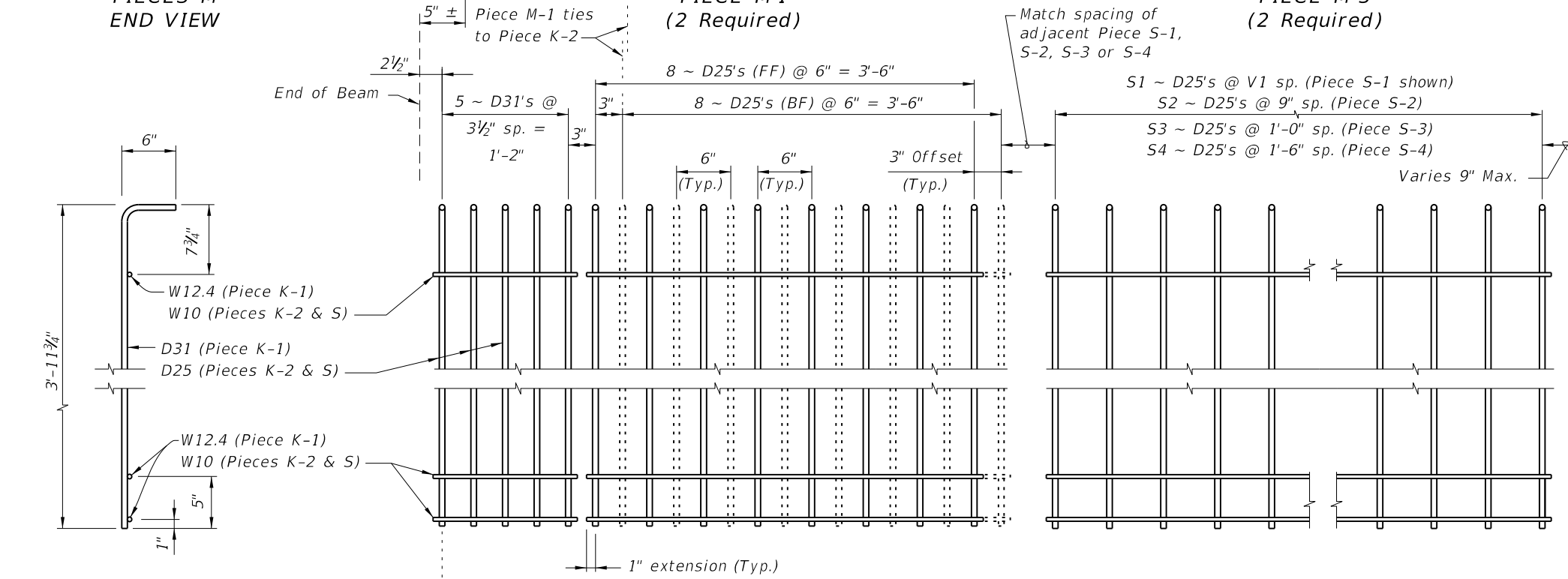
SECTION A-A  
FOR WELDED WIRE REINFORCEMENT



PARTIAL SECTION AT CENTER BEAM



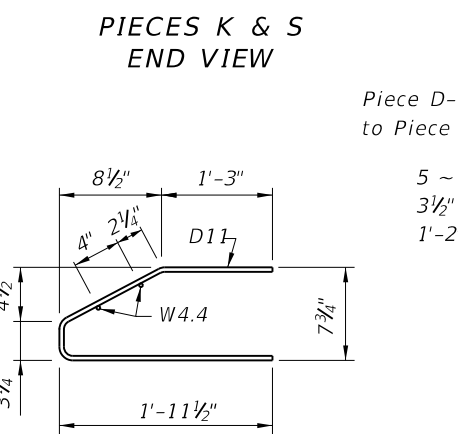
PARTIAL BEAM END VIEW  
(Conventional Reinforcing Bars A, C, Y and Strands not Shown for Clarity)



PIECE K-1  
(Aligned EF)  
(4 Required ~ 2 Pairs)

PIECE K-2  
(FF Shown Solid, BF Shown Dashed)  
(4 Required)

PIECE S-1, S-2, S-3 or S-4  
(2 Required Each Piece)



PIECE D-1  
(4 Required ~ 2 Pairs)

PIECE D-2  
(4 Required ~ 2 Pairs)

PIECE D-3  
(4 Required ~ 2 Pairs)

LEGEND:  
EF = Each Face  
FF = Front Face  
BF = Back Face

- NOTES:
- See Sheet 1 for placement details & Table of Beam Variables in Structures Plans for variables S1, S2, S3, S4 & V1.
  - Place Conventional Reinforcement Bars 5A & 3C as shown on Sheet 1. Place additional Bars 5Y as shown in Section A-A for Welded Wire Reinforcement. Bars 5Z will not be used with the WWR Option.
  - Pieces may be fabricated in multiple length sections.
  - For beams with skewed end conditions, Pieces D-1, D-2 & M-1 shall not be used; Conventional Reinforcement Bars D1, D2, C1, C2, M1 & M2 shall be used. See Index No. 20010 Skew Details and Note 9 for placement details. Shift Pieces K & Bars 5Y to accommodate skewed end conditions and align with Bars C and D.

5/22/2014 1:09:21 PM

LAST REVISION 07/01/10	DESCRIPTION:	 2015 DESIGN STANDARDS	FLORIDA-I 45 BEAM - STANDARD DETAILS	INDEX NO. 20045	SHEET NO. 2 of 2
---------------------------	--------------	------------------------------	--------------------------------------	--------------------	---------------------