

SIGN LIGHTING INSTALLATION

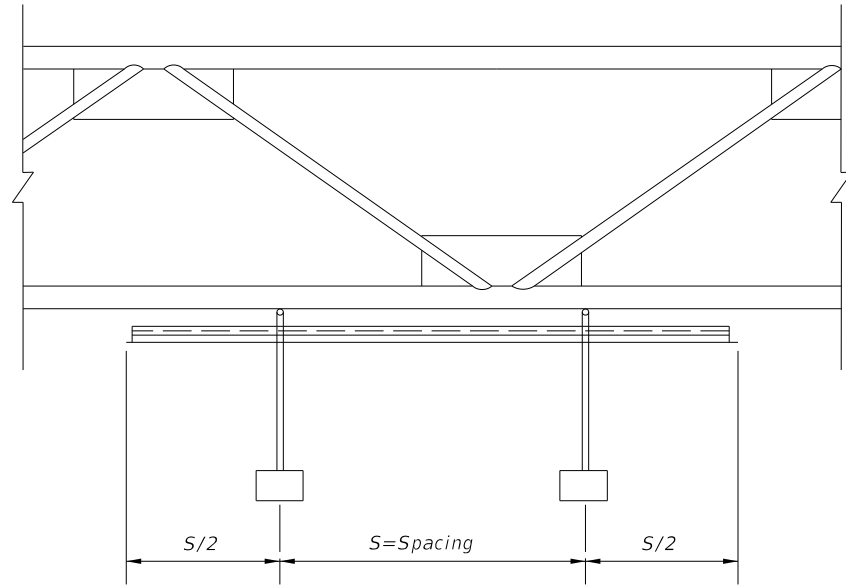
Roadway Lighting included in contract:

The power for the sign lighting shall be provided from the roadway lighting circuit. The lighting plans shall indicate the sign location and a pull box location for connection to the sign lights. The lighting contractor shall install pull box and loop 2' of lighting circuit conductors in the pull box for connection by the signing contractor.

The signing contractor shall furnish and install luminaires, Nema 3R enclosure, 30 amp breaker, conduit, conductors and all other electrical equipment necessary for connection to the lighting circuit.

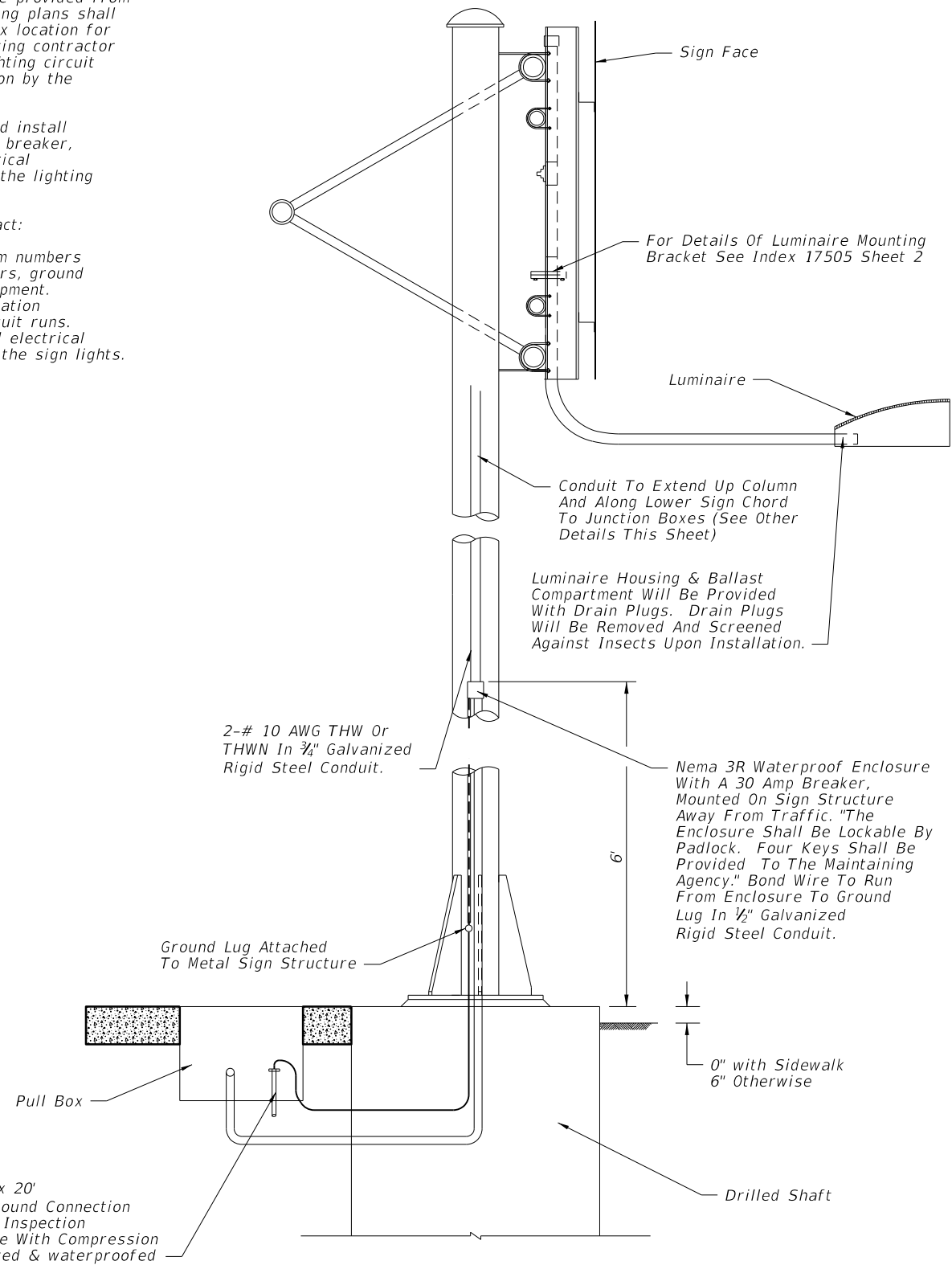
Roadway Lighting not included in contract:

The signing plans shall include pay item numbers to furnish and install conduit, conductors, ground rods, pull boxes and service point equipment. The signing plans shall indicate the location of the service point equipment and circuit runs. The signing contractor shall provide all electrical equipment necessary for connection of the sign lights.



PLACEMENT OF SIGN LIGHTS

1. Luminaires that recommend their fixture be tilted shall be mounted on a bracket which provides the recommended tilt.
2. Luminaire spacing and arm length is shown on guide sign worksheet.
3. Guide sign worksheet indicates sign luminaire used for basis of design. The contractor may propose a different luminaire by submitting photometric calculations for each lighted sign for review.



5/21/2014 2:18:38 PM

LAST REVISION 07/01/13	REVISION	DESCRIPTION:	 2015 DESIGN STANDARDS	EXTERNAL LIGHTING FOR SIGNS	INDEX NO. 17505	SHEET NO. 1 of 2
---------------------------	----------	--------------	------------------------------	-----------------------------	--------------------	---------------------

NOTES

- 1 Dimension to be established by type and make of luminaire to be purchased and used on the project.
- 2 The center lines of both flange plates and the luminaire support arm are to be set parallel to the roadway before the set screw is seated.
- 3 All steel pipe shall meet the strength requirements of ASTM Specification A53 Grade "A" or Grade "B". Steel plates shall meet the requirements of A36 and bolts, nuts and washers shall meet the requirements of ASTM A307.
- 4 All items shall be hot dip galvanized after fabrication in accordance with the requirements of Specification Section 962.
- 5 Luminaire support arm shall be free to rotate in a clockwise or counter clockwise direction. When service or maintenance is required for sign face or vertical face of truss.
- 6 All pipe dimensions are NPS.
- 7 The 5X3.25X4.01 Zee vertical hanger option cannot be used when installing sign lighting.

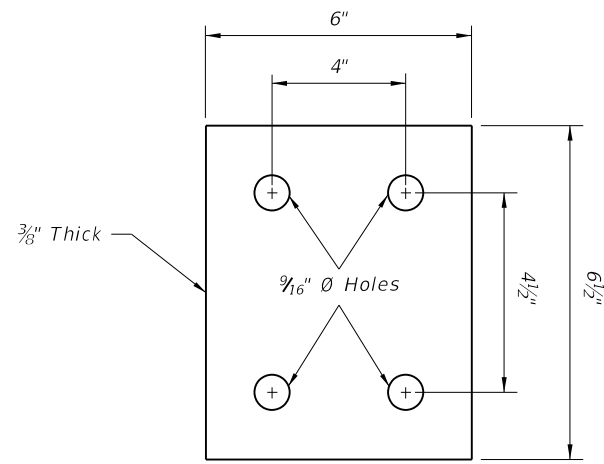
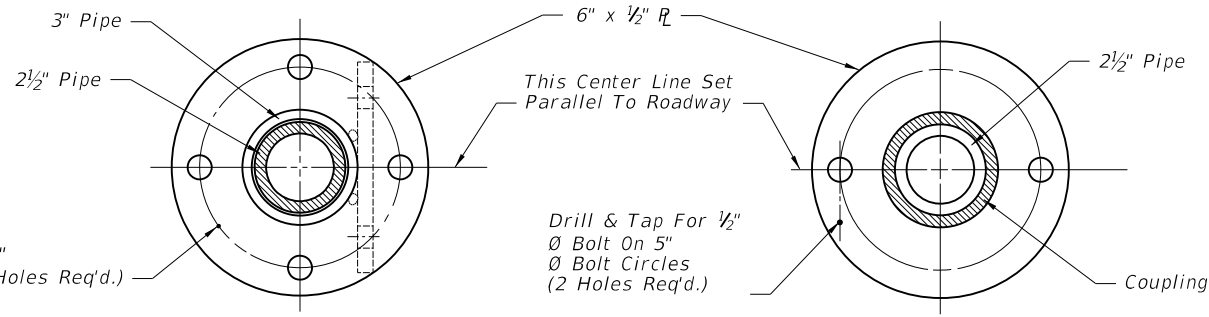
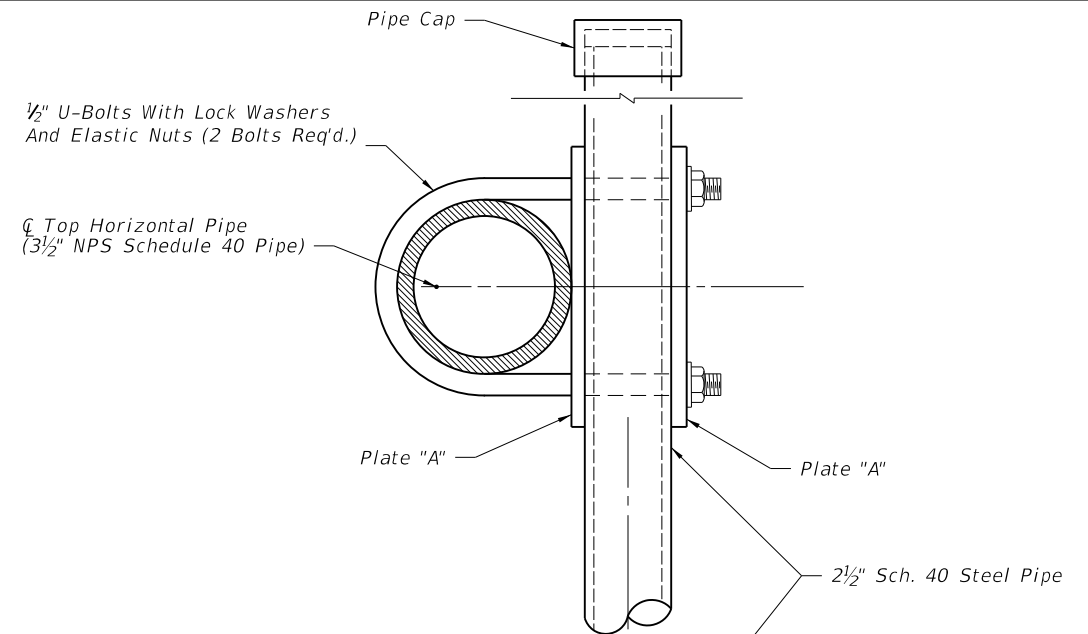
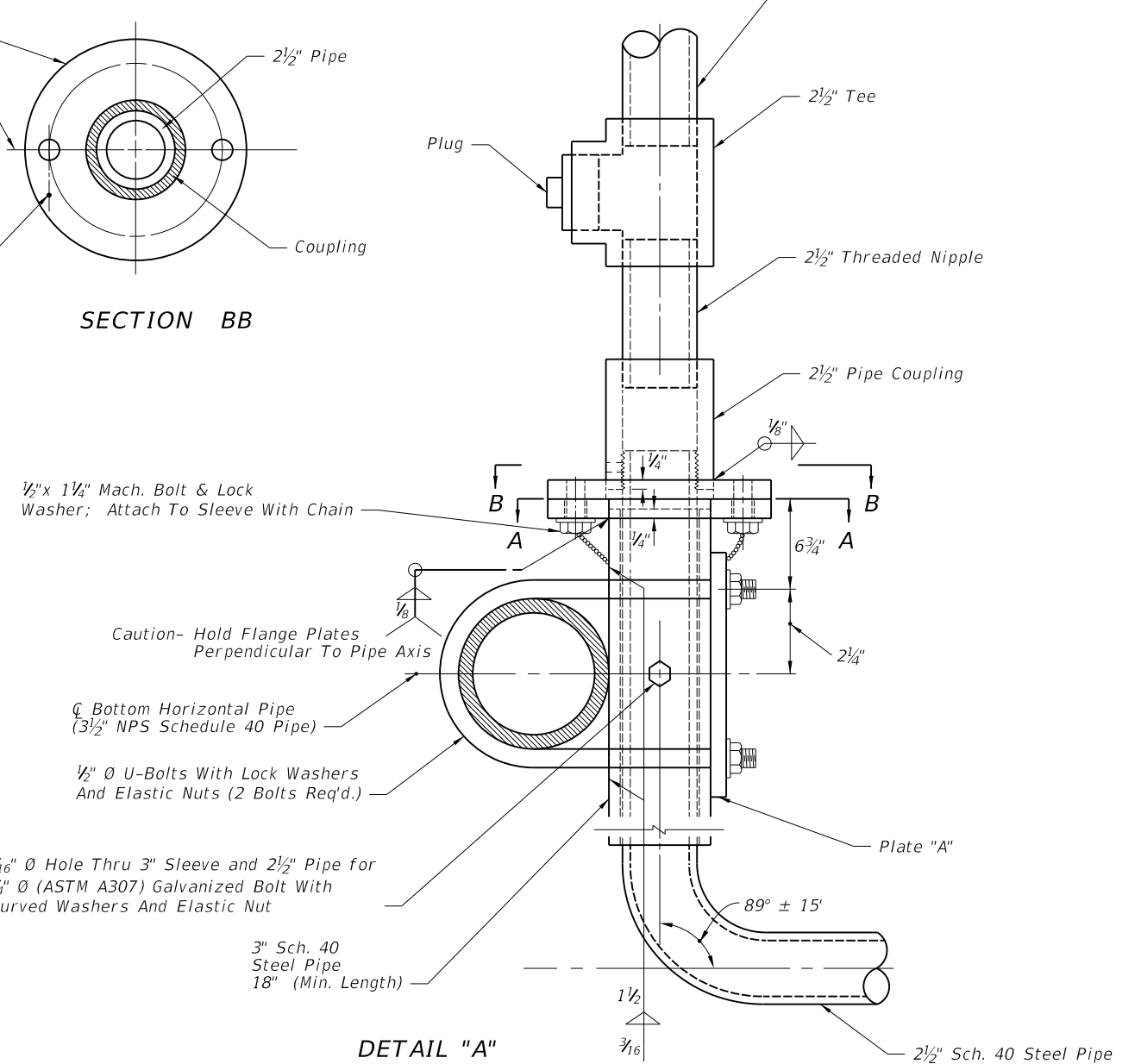
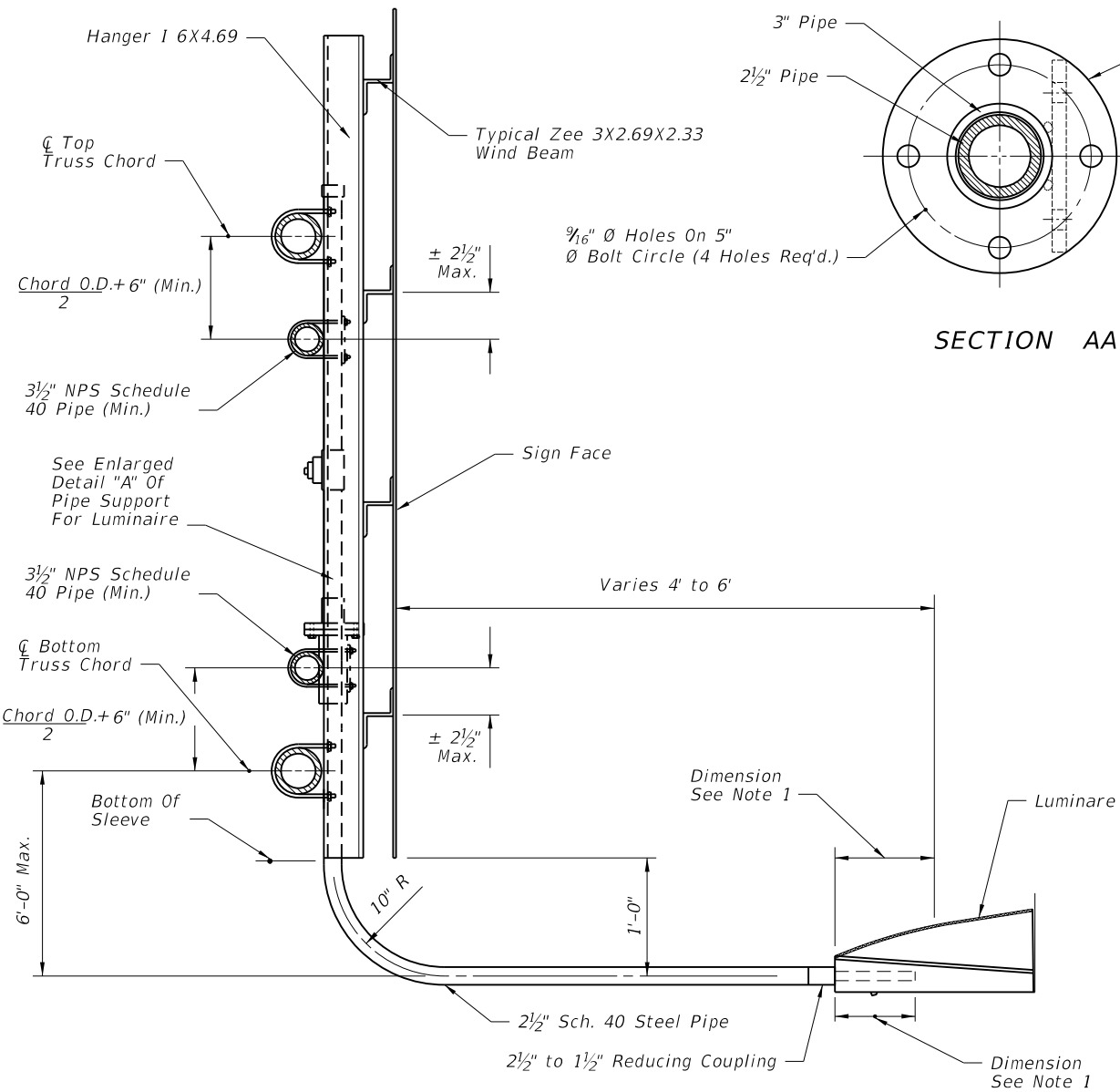


PLATE A



SECTION AA

SECTION BB



DETAIL "A"

5/21/2014 2:18:39 PM

LAST REVISION 07/01/13	DESCRIPTION:	 2015 DESIGN STANDARDS	EXTERNAL LIGHTING FOR SIGNS	INDEX NO. 17505	SHEET NO. 2 of 2
---------------------------	--------------	----------------------------------	------------------------------------	---------------------------	----------------------------