

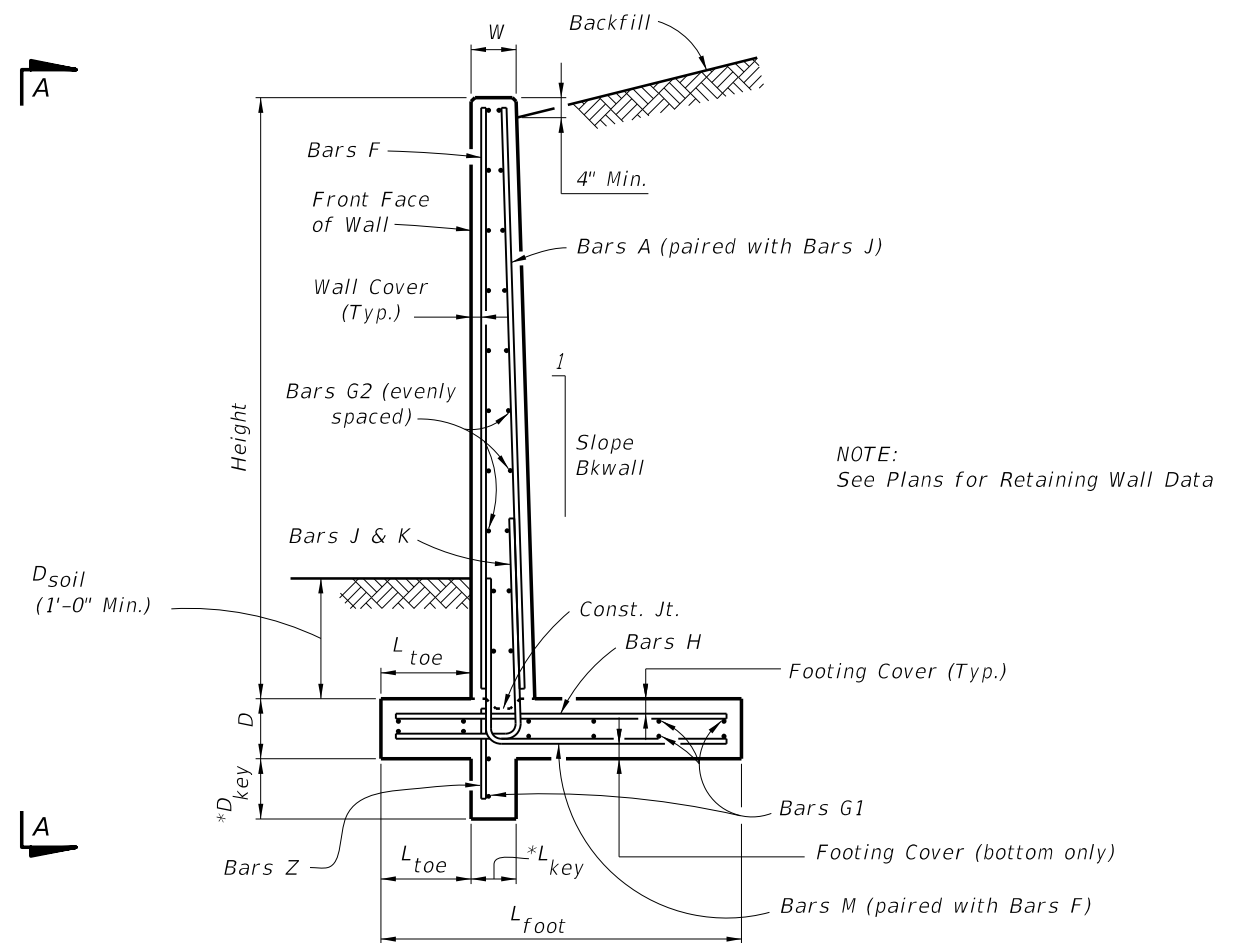
VIEW A-A
(Shear key shown dashed)

NOTES

DESIGN SPECIFICATIONS:
Design according to FDOT Structures Manual (current edition).

TRAFFIC RAILINGS OR PARAPETS:
If there is a Traffic Railing or Parapet on the wall, align Wall Joints with V-Grooves, and Wall Expansion Joints with Barrier Open Joints.

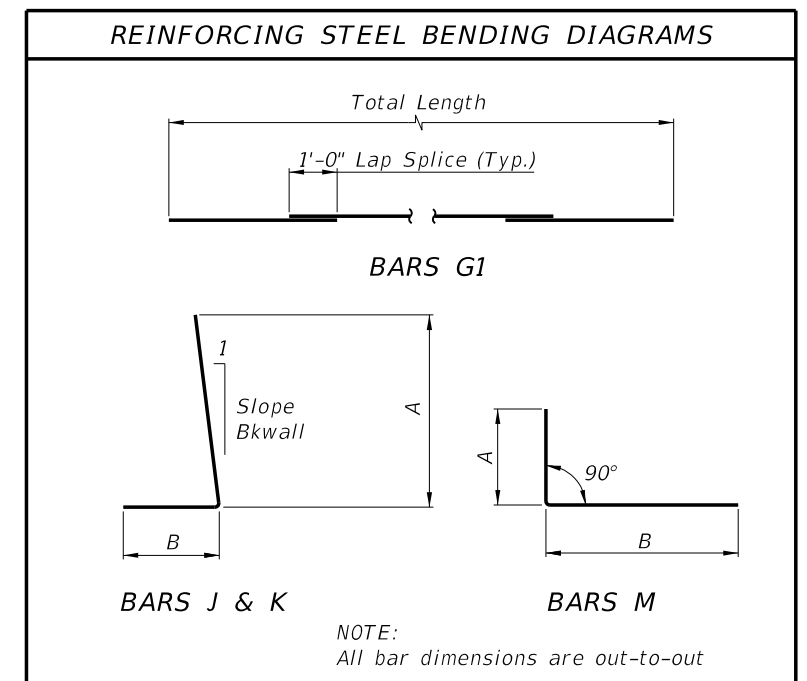
FOUNDATION: Prepare the soil below the footing in accordance with the requirements for spread footings in Specification Section 455.



NOTE:
See Plans for Retaining Wall Data

* Shear Key is required only when specified in the Plans.

TYPICAL SECTION



6/5/2014 10:04:53 AM

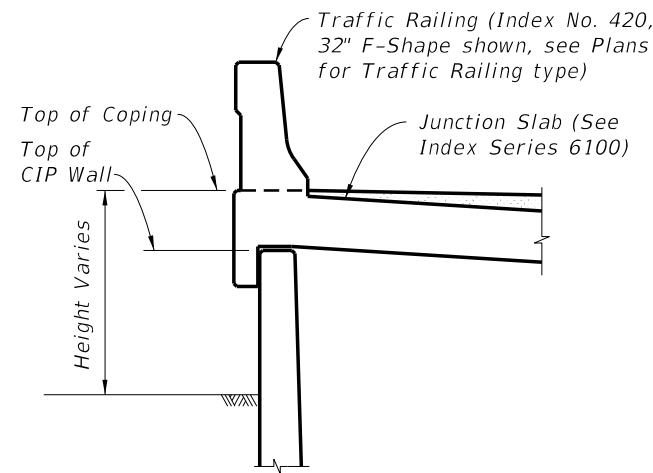
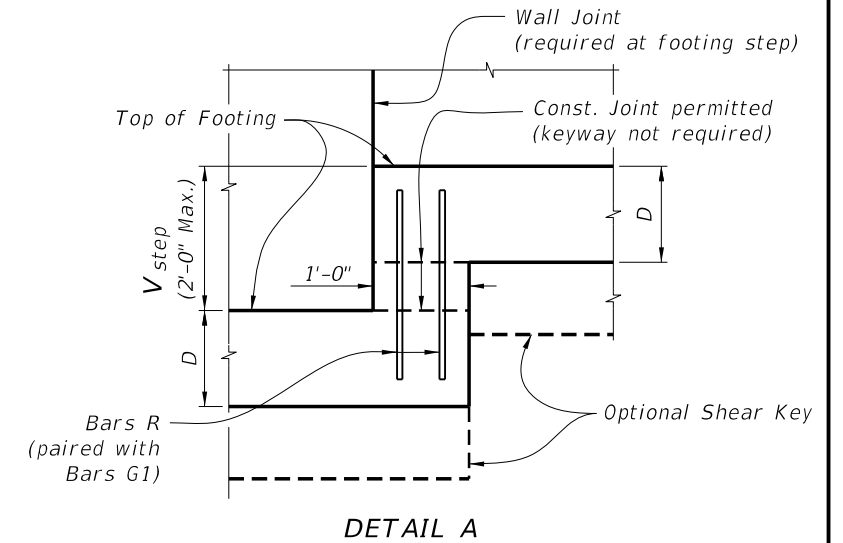
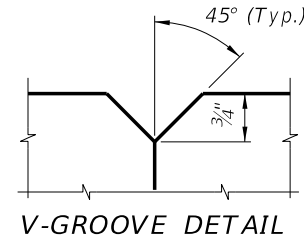
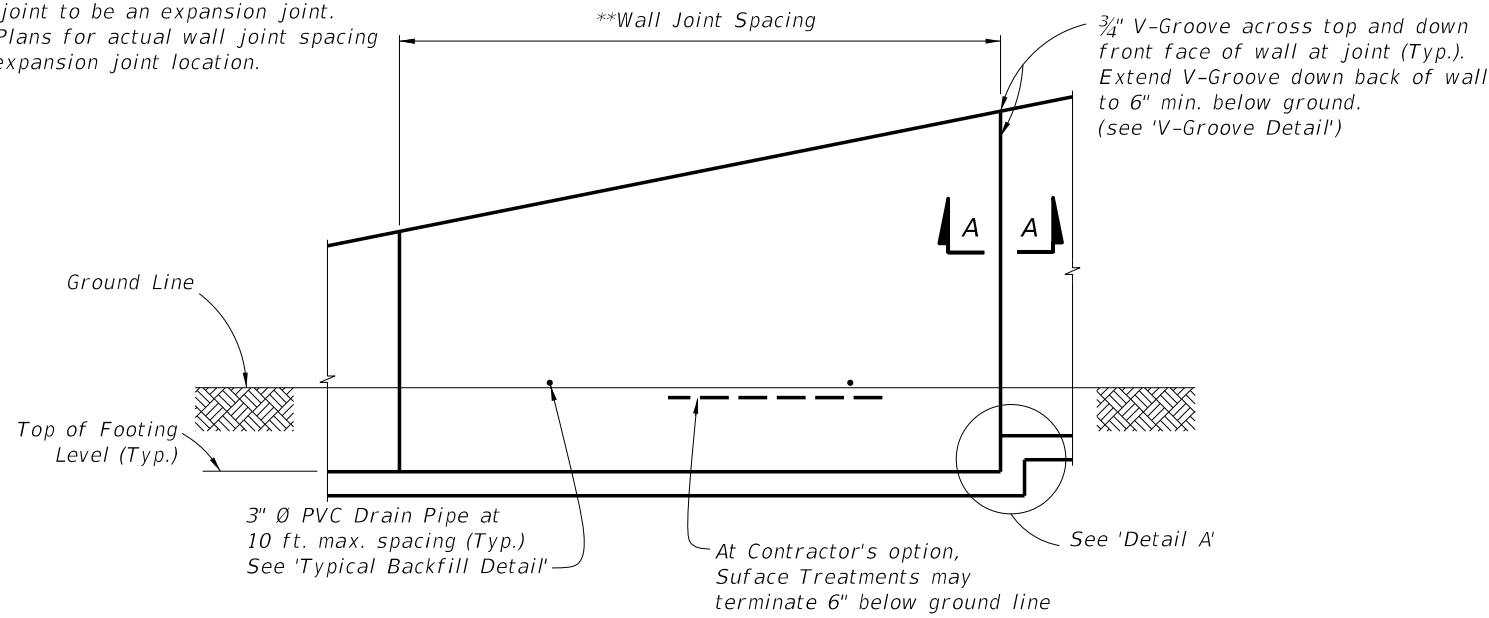
LAST REVISION 07/01/14	REVISION	DESCRIPTION:
---------------------------	----------	--------------



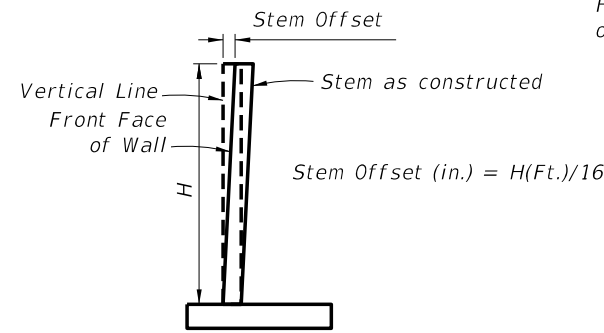
C-I-P CANTILEVER RETAINING WALL

INDEX NO. 6010	SHEET NO. 1 of 2
--------------------------	----------------------------

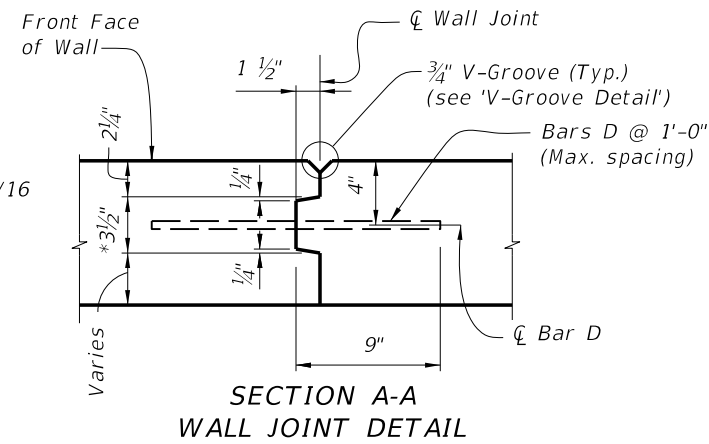
**Wall joint spacing 25 ft. maximum and 5' minimum. At minimum, every fourth wall joint to be an expansion joint. See Plans for actual wall joint spacing and expansion joint location.



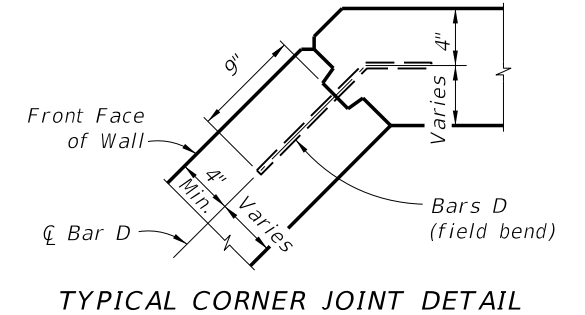
FRONT ELEVATION



STEM OFFSET VALUES
(for H < 20 Ft.)

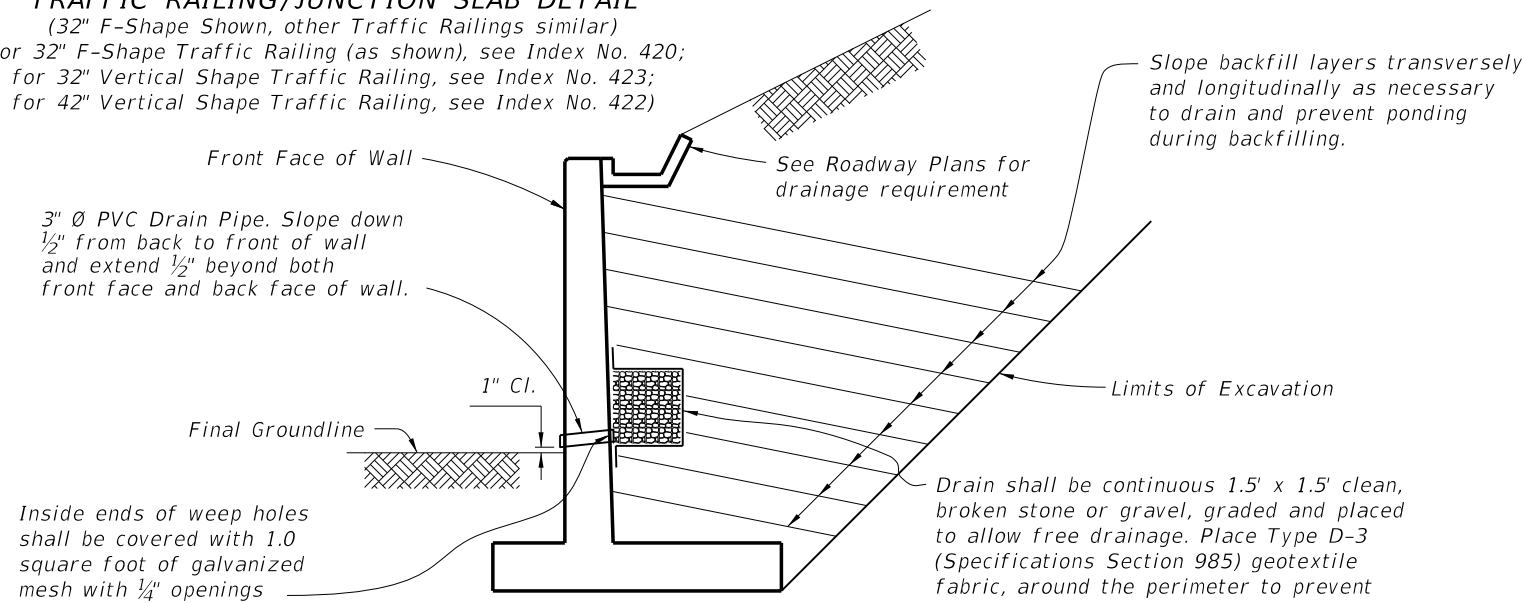


SECTION A-A WALL JOINT DETAIL

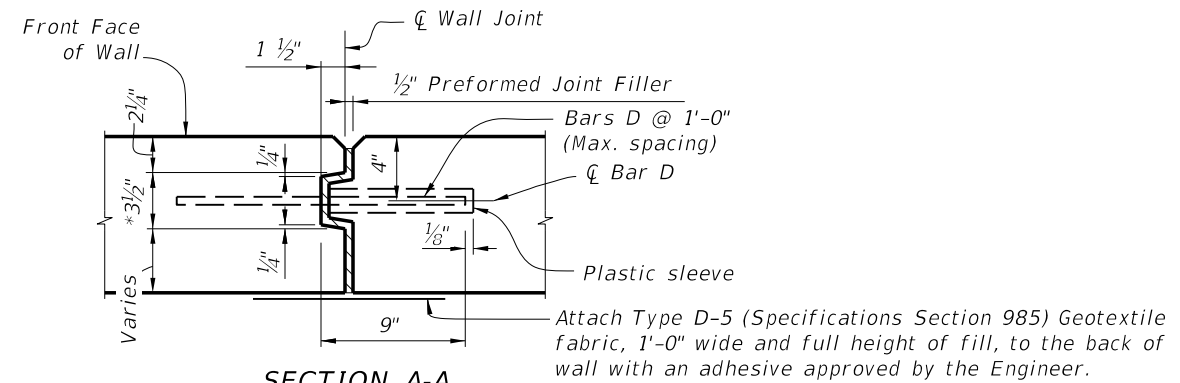


TYPICAL CORNER JOINT DETAIL

TRAFFIC RAILING/JUNCTION SLAB DETAIL
(32" F-Shape Shown, other Traffic Railings similar)
(for 32" F-Shape Traffic Railing (as shown), see Index No. 420;
for 32" Vertical Shape Traffic Railing, see Index No. 423;
for 42" Vertical Shape Traffic Railing, see Index No. 422)



TYPICAL BACKFILL DETAIL



SECTION A-A EXPANSION JOINT DETAIL

* Key to stop at top of footing and 6" from top of wall. Joint across footing and top of wall to be a straight line.

6/5/2014 10:04:53 AM

LAST REVISION 07/01/14	REVISION	DESCRIPTION:	2015 DESIGN STANDARDS	C-I-P CANTILEVER RETAINING WALL	INDEX NO. 6010	SHEET NO. 2 of 2
---------------------------	----------	--------------	------------------------------	--	--------------------------	----------------------------