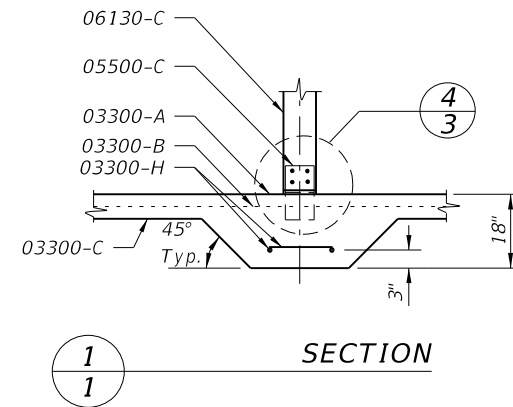
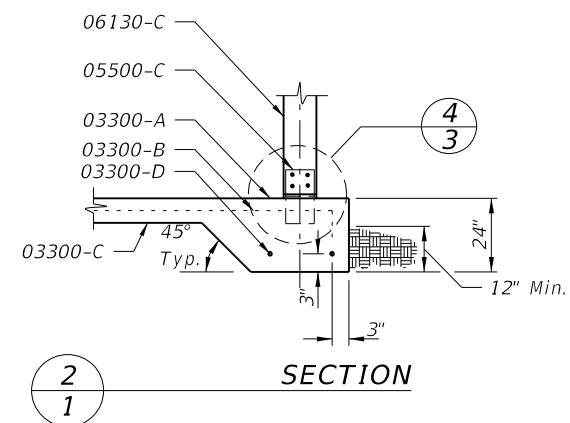


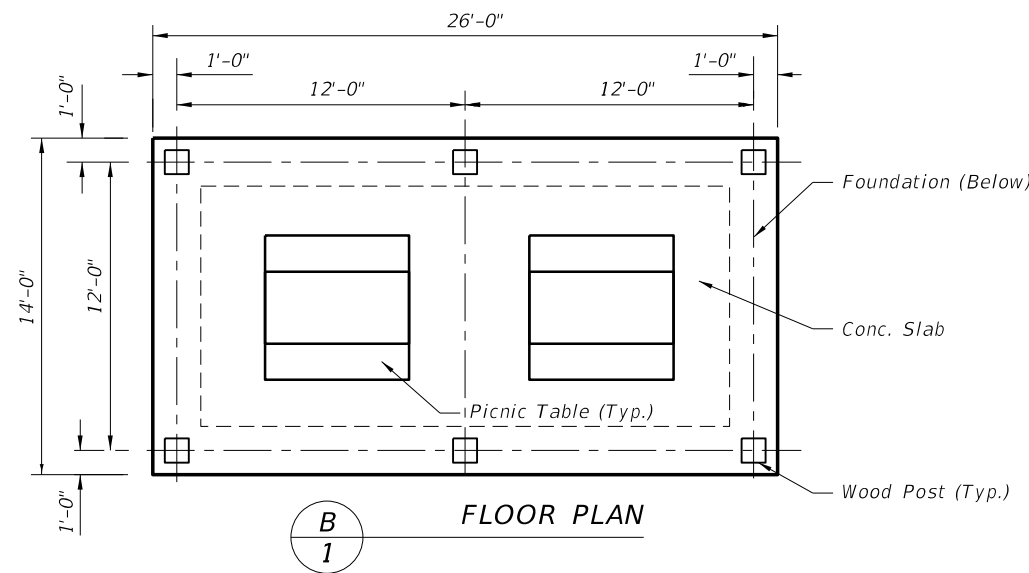
LARGE PAVILION



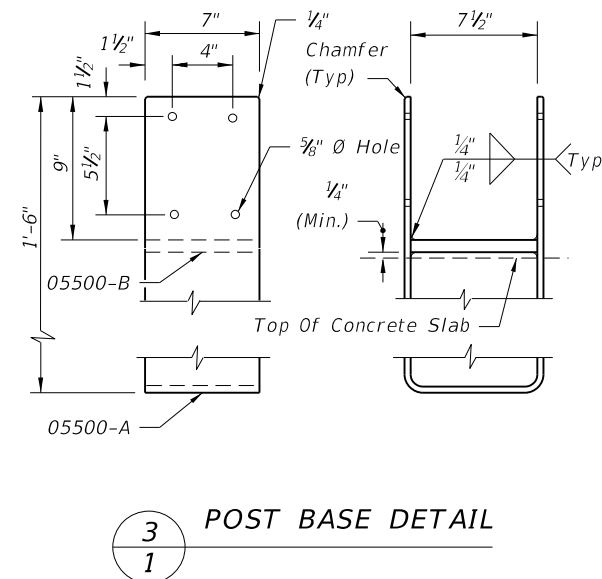
SECTION 1-1



SECTION 2-1



SMALL PAVILION



POST BASE DETAIL 3-1

NOTES

Keynotes on sheet 2.

FLOOR

6" reinf. concrete slab w/ WWR 6x6-W1.4xW1.4

Drop footing at slab perimeter & interior posts see keynotes.

Harden & broom finish slab surface.

STRUCTURE

Posts: 8 x 8 PT

Beams: 4 x 6 PT

Framing: 4x PT as described.

Misc members: 1x and 2x as described.

ROOF

3"x6" T&G wood decking.

30# asphalt impregnated fiberglass felt underlayment.

Standing seam metal roof (24 GA Steel or 0.032 Alum.) w/ Kynar 500 finish.

Structure, decking and roofing shall be designed to withstand 130 mph wind load.

BUILDING CODE

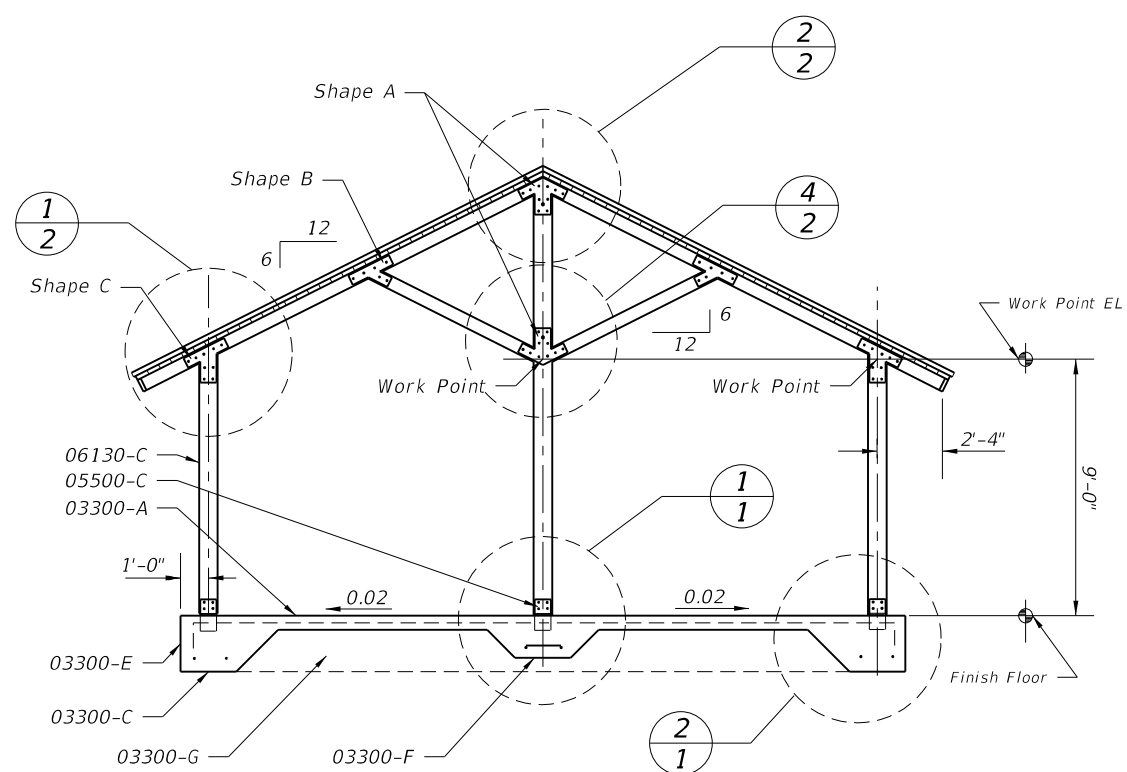
Picnic pavilions shall be constructed according to the requirements of the appropriate sections of the "Florida Building Code", current, adopted edition.

PICNIC TABLES

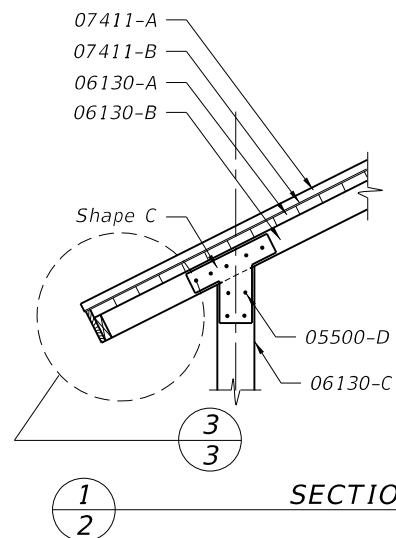
Picnic tables and benches shall be 6'x6' w/heavy galvanized pipe frames and recycled plastic wood seats and table tops. All tables shall be of walk thru design suitable for exterior locations. Pavilions shall meet the requirements of the Americans With Disabilities Act (ADA) accessibility guidelines. A minimum of 20% of picnic tables to meet ADA.

5/20/2014 3:22:31 PM

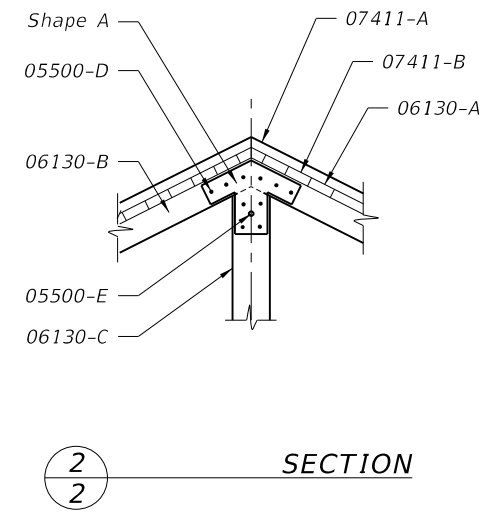
LAST REVISION 01/01/12	REVISION	DESCRIPTION:	2015 DESIGN STANDARDS	REST AREA PAVILION	INDEX NO. 530	SHEET NO. 1 of 3
---------------------------	----------	--------------	------------------------------	---------------------------	-------------------------	----------------------------



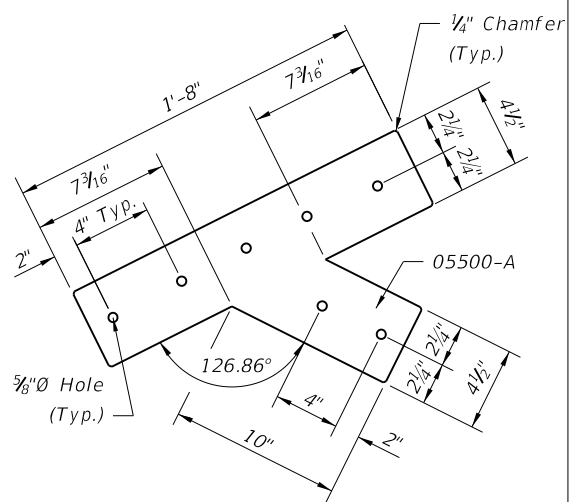
A LARGE PAVILION SECTION



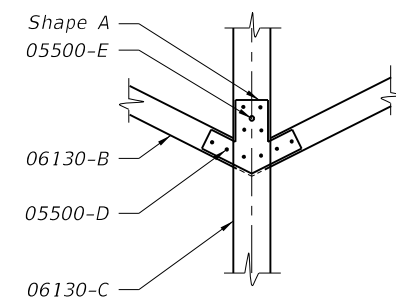
1 SECTION



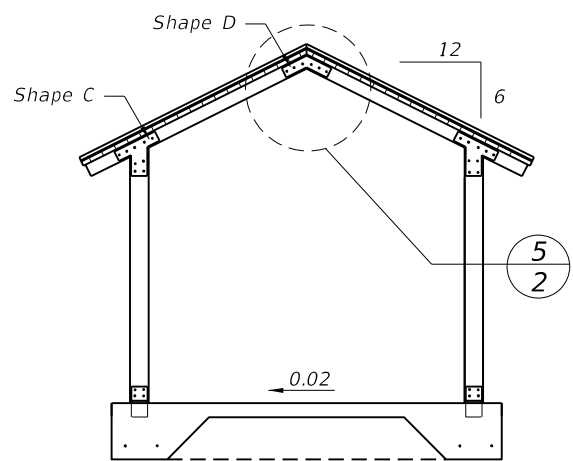
2 SECTION



3 SHAPE B DETAIL

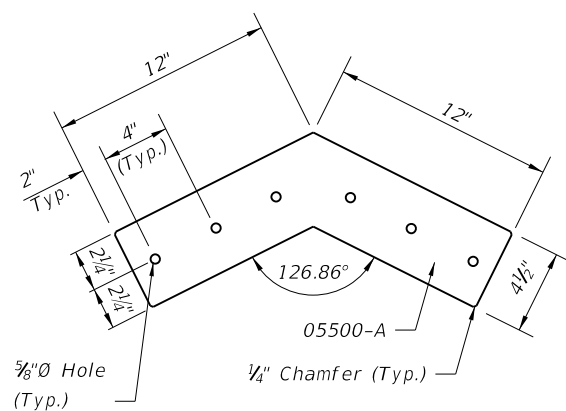


4 SECTION

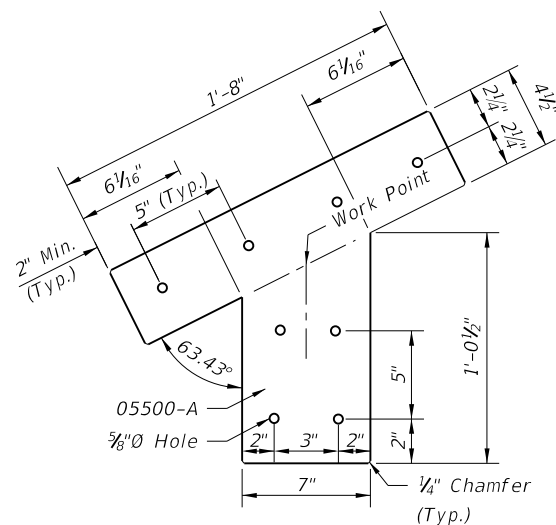


B SMALL PAVILION SECTION

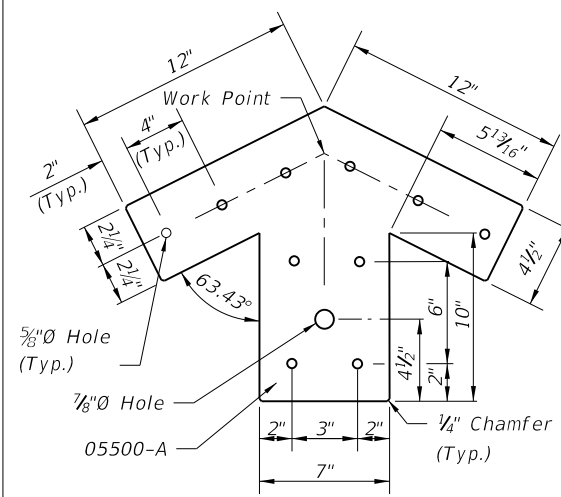
NOTE: DETAILS TO MATCH THOSE OF LARGE PICNIC PAVILION



5 SHAPE D DETAIL



6 SHAPE C DETAIL



7 SHAPE A DETAIL

KEYNOTES

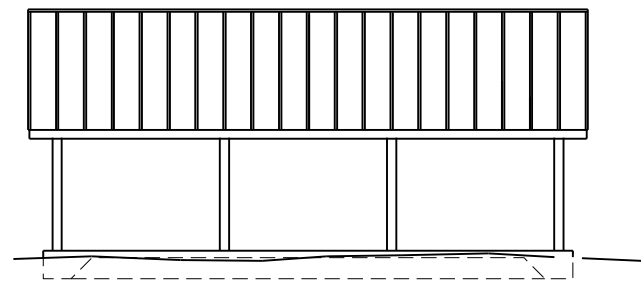
- 03300-A Class II 6" conc slab
- 03300-B 6"x6"-W1.4xW1.4 @ C of slab
- 03300-C 6 mil vapor barrier
- 03300-D #5 rebar cont. (2 required)
- 03300-E 24" cont. drop footing
- 03300-F 18"x18" drop footing
- 03300-G 6" min comp sand fill
- 03300-H #5x18" rebar (4 required)
- 05500-A 3/8" galv. steel plate
- 05500-B 1/2" galv. steel plate
- 05500-C post base.
- 05500-D 1/2" Ø bolt, washer & nut (typ.)
- 05500-E 3/4" Ø eyebolt, washer & nut for cross brace bars
- 05500-F 1/2" Ø steel rod w/turnbuckle
- 06130-A 3"x6" T&G wood decking
- 06130-B 4"x6" PT wood frame
- 06130-C 8"x8" PT wood post
- 06130-D 2"x6" PT wood sub fascia
- 06130-E 1"x10" PT wood fascia
- 06130-F 3/4" ± wood shim
- 07411-A Standing seam metal roof
- 07411-B Felt underlayment

Alternate Material Note: These structures are shown with timber frames and decking. Alternate materials (i.e., aluminum, steel, etc.) may be used when submittals are signed and sealed by a specialty engineer as per Section 5 of the Standard Specifications and when approved by the Engineer.

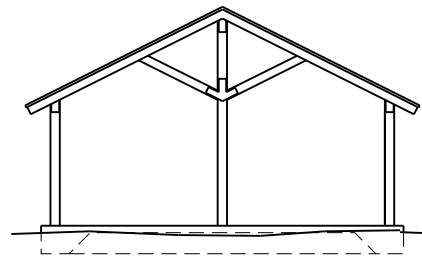
5/20/2014 3:22:31 PM

LAST REVISION	DESCRIPTION:
01/01/12	

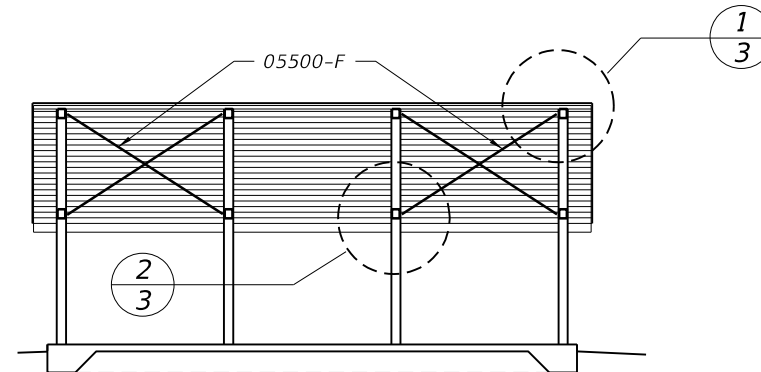
REVISION	DESCRIPTION:



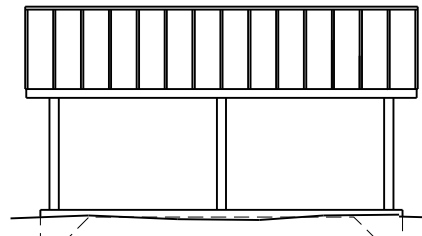
A
3 SIDE ELEVATION



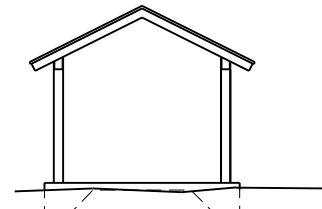
B
3 END ELEVATION



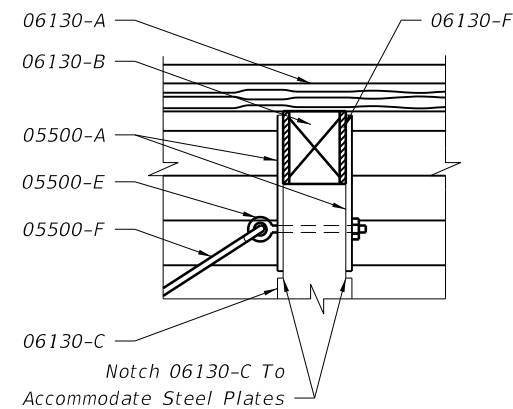
C
3 SECTION



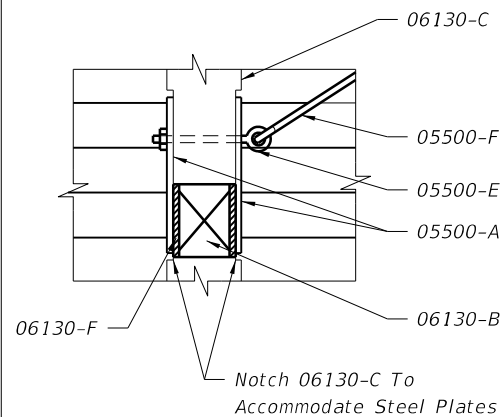
D
3 SIDE ELEVATION



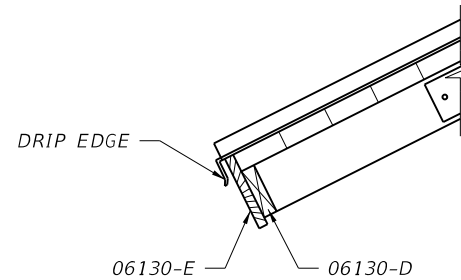
E
3 END ELEVATION



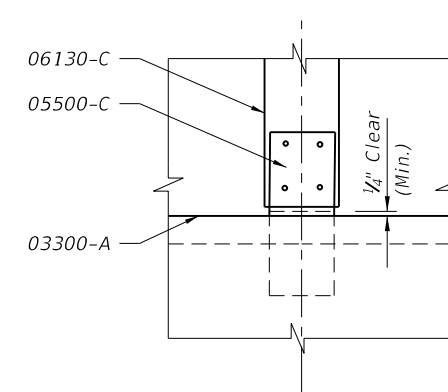
1
3 DETAIL



2
3 DETAIL



3
3 DETAIL
Similar At Roof Rake



4
3 DETAIL

SPECIFICATIONS

Keynotes On Sheet 2.

CONCRETE

Concrete: *FDOT Class II.*

Reinforcing Bars: *ASTM A615, Grade 60.*

Welded Wire Fabric: *ASTM A-185.*

Vapor Barrier: *Black 6-Mil Polyethylene.*

STEEL

Galvanized Steel Plate: *Steel Plate ASTM A36 or A709.*

Provide galvanizing in accordance with the requirements of *ASTM A123.*

Galvanized Fasteners: *High-Strength bolts and nuts, ASTM A325 in accordance with Specification Section 962.*

Galvanize shapes after fabrication, make field repairs to galvanizing in accordance with *Specification Section 562.*

WOOD

Comply with *American Institute For Timber Construction AITC 108, "Standard For Heavy Timber Construction."*

For solid wood decking, comply with *AITC 112, "Standard For Tongue And Groove Heavy Timber Standard."*

Species: *Douglas Fir, Hem-fir, or Southern Pine, at fabricator's option.*

Preservative Treatment: *Pressure treat fabricated members with waterborne solution for above ground use, complying with AWP A U1, category UC3B above ground exposed.*

Wood Decking: *Predrill decking at 30" centers for lateral spiking to adjacent units. Spikes to be 8" spikes galvanized common.*

5/20/2014 3:22:32 PM

LAST REVISION
01/01/12

REVISION

DESCRIPTION:

FDOT 2015 DESIGN STANDARDS

REST AREA PAVILION

INDEX NO.
530

SHEET NO.
3 of 3