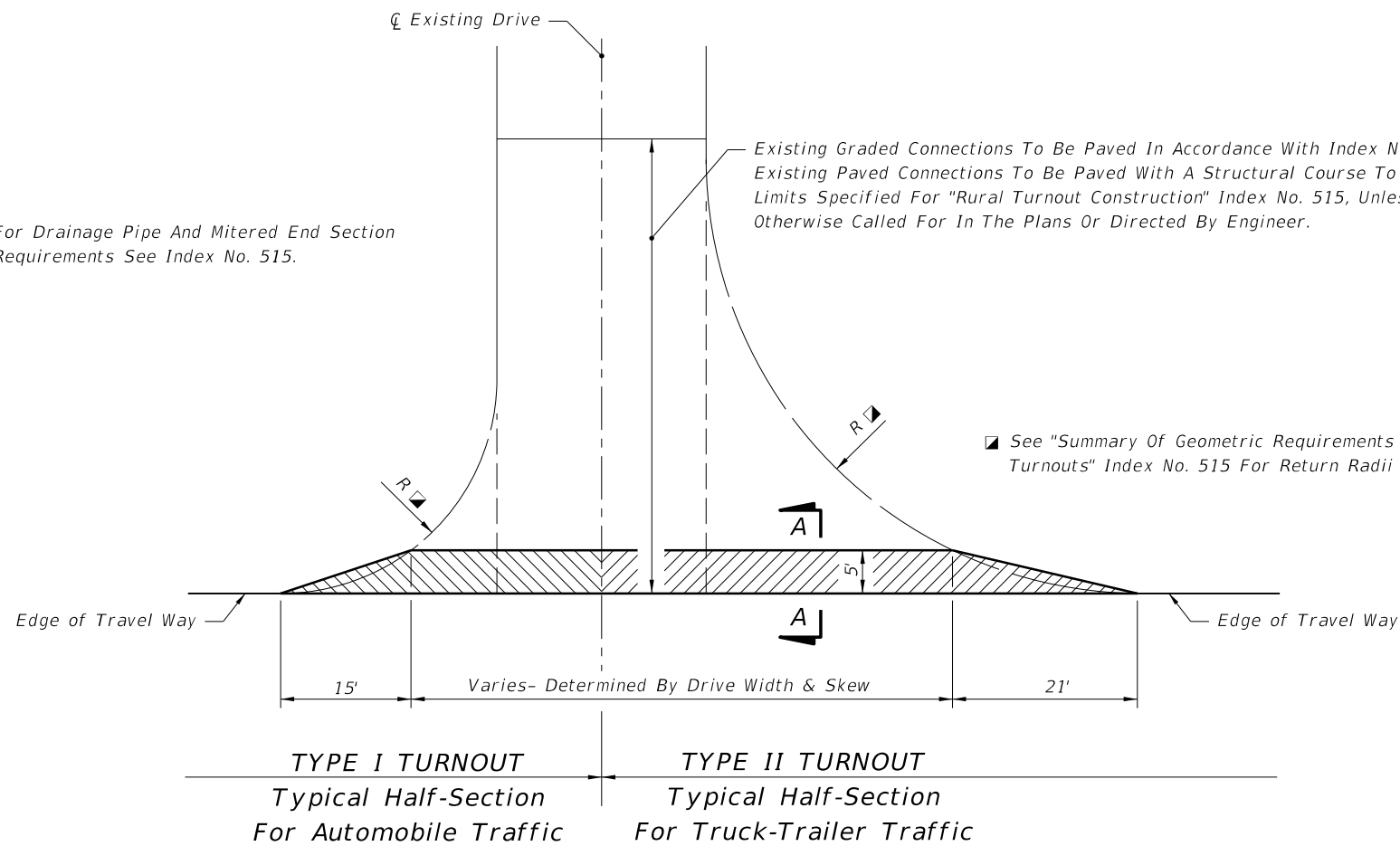
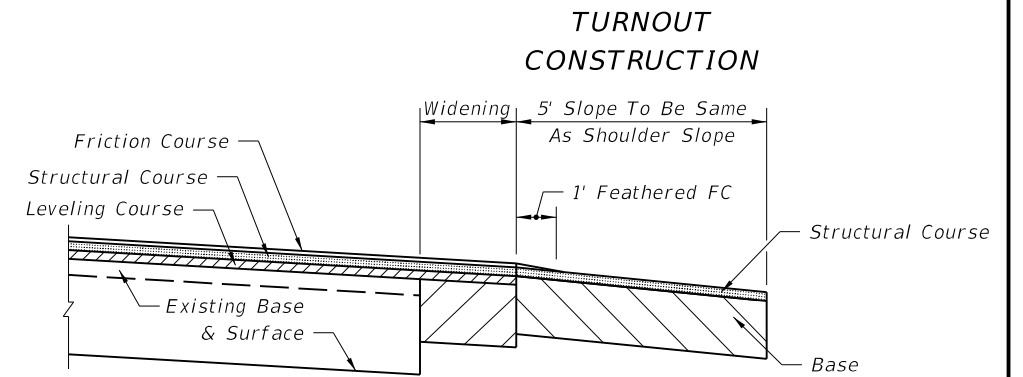


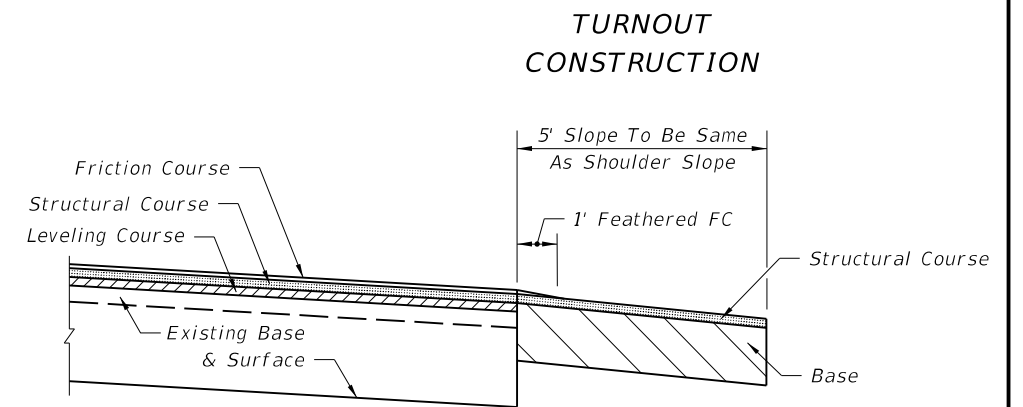
For Drainage Pipe And Mitered End Section Requirements See Index No. 515.



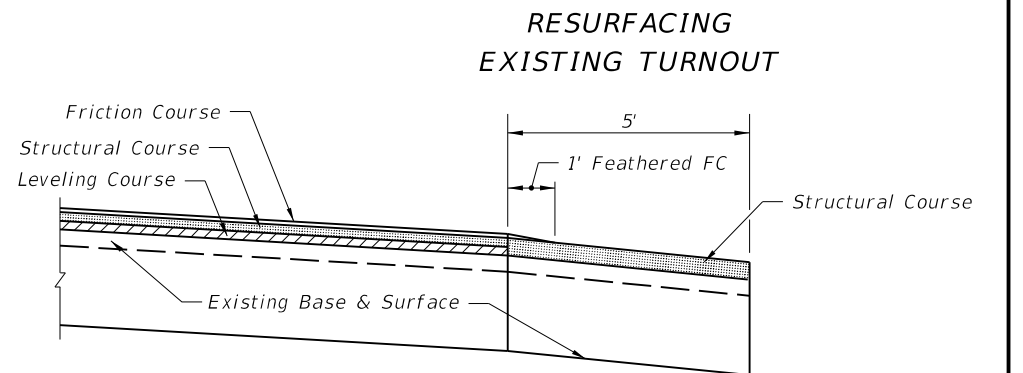
See "Summary Of Geometric Requirements For Turnouts" Index No. 515 For Return Radii Lengths.



SECTION AA WITH WIDENING



SECTION AA



SECTION AA

AREAS FOR ONE 5' DEEP TURNOUT (SY)

Drive Width (Ft.)	Intersection			
	Normal		Skewed	
	Type I	Type II	Type I	Type II
12	26	51	31	60
14	27	52	33	61
16	28	53	34	63
18	29	54	35	64
20	31	55	37	65
22	32	56	38	67
24	33	57	39	68
26	34	58	40	69
28	35	59	42	70
30	36	61	43	72
32	37	62	44	73
34	38	63	46	74
36	39	64	47	76
38	41	65	48	77
40	42	66	49	78
42	43	67	51	79
44	44	68	52	81
46	45	69	53	82
48	46	71	55	83
50	47	72	56	85
52	48	73	57	86
54	49	74	58	87
56	51	75	60	88
58	52	76	61	90
60	53	77	62	91

PAVEMENT STRUCTURE FOR 5' DEEP TURNOUTS

Course	Material	Minimum Thickness
Structural	Asphaltic Concrete	1"
Base	Optional Base (See Index No. 514)	O.B.G. 1

Notes:

- Turnout structural course to be the same material as roadway leveling or structure course. Structural course not required if asphalt base course and its thickness increased to match edge of roadway pavement.
- Any Department approved pavement structure equivalence may be used at the discretion of the Engineer.
- Additional structural strength may be required if heavy truck loads are anticipated.

GENERAL NOTES

- Turnouts are to be constructed or resurfaced for low volume (single family, duplex, farm, etc.) residential connections as directed by the Engineer.
- Turnout construction is not required for low volume residential connections where roadway shoulders are paved.
- Connections outside the 5' limit are to be constructed as directed by the Engineer.
- The contract unit price for Turnout Construction includes the cost for excavation and base.
- Payment for structural course is to be included in roadway resurfacing pay item.
- Payment for feathering friction course is to be included in the unit price for Asphaltic Concrete Friction Course placed on the roadway. Feathered areas will not be included in measured quantities. Feathering is not required for FC-5 friction course.

5/20/2014 3:19:54 PM

LAST REVISION	DESCRIPTION:
07/01/12	

REVISION	
----------	--