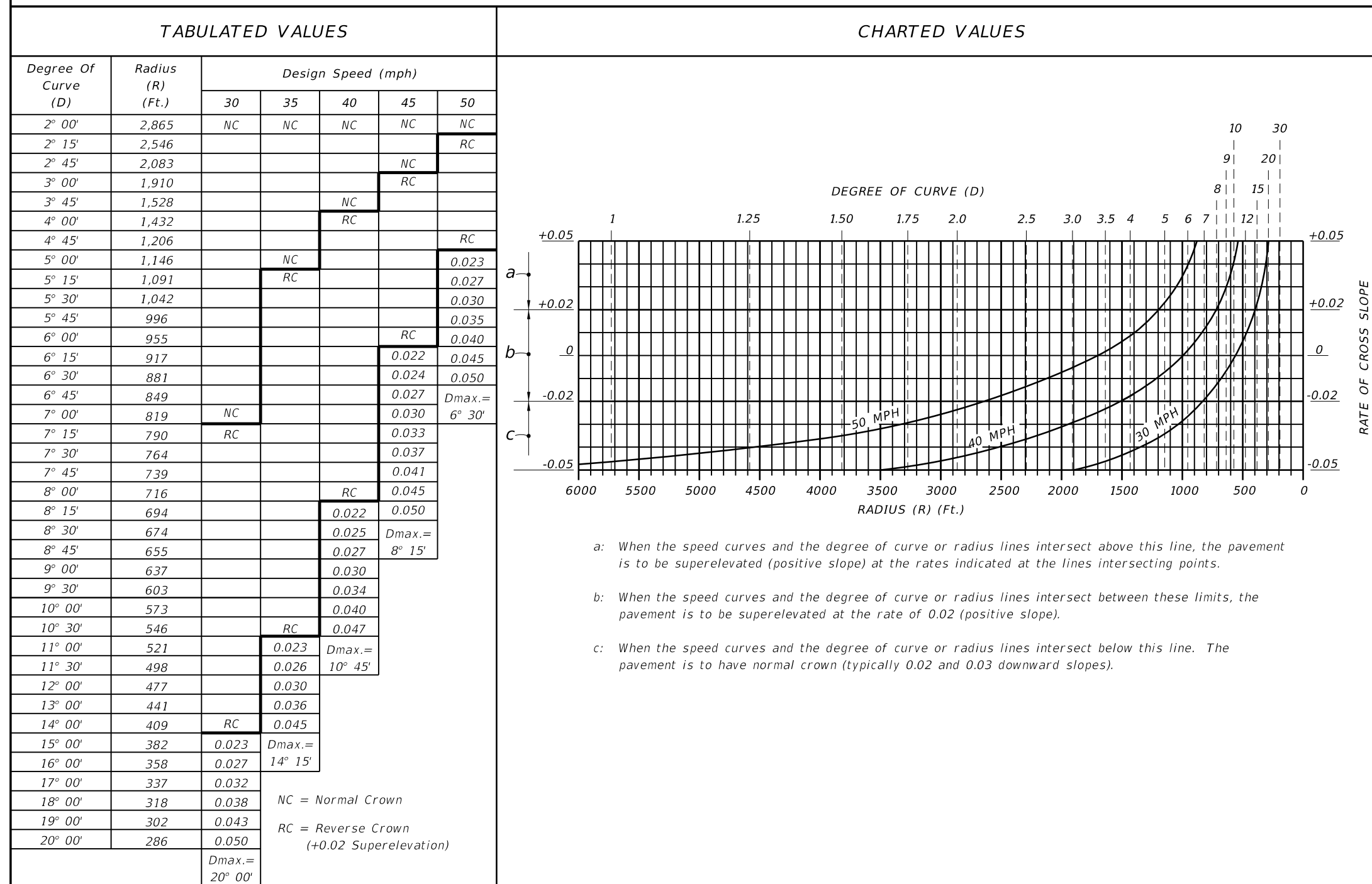


**SUPERELEVATION RATES (e) FOR URBAN HIGHWAYS AND HIGH SPEED URBAN STREETS**

$e_{max.} = 0.05$



**GENERAL NOTES**

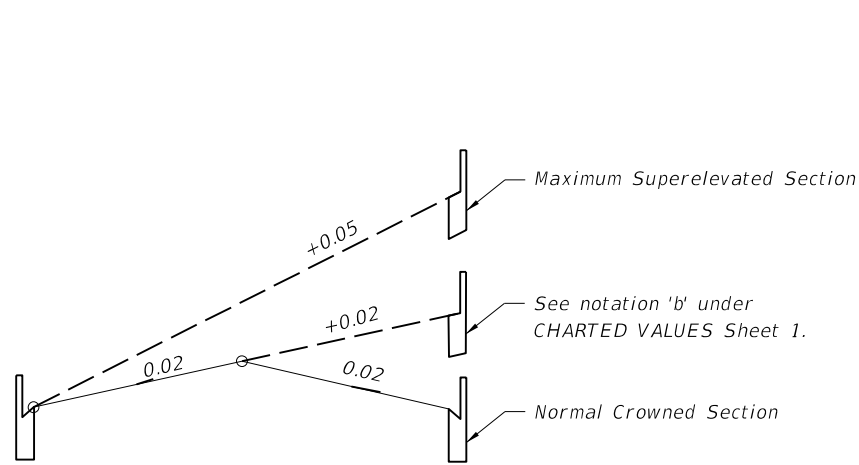
- Maximum rate of superlevation for urban highways and high speed urban streets shall be 0.05.
- Superlevation shall be obtained by rotating the plane successively about the break points of the section until the plane has attained a slope equal to that required by the chart. Should the rotation traverse the entire section and further superlevation be required, the remaining rotation of the plane shall be about the low edge of the inside travel lane. Crown is to be removed in the auxiliary lane to the outside of the curve only when the adjoining travel lanes require positive superlevation.
- When positive superlevation is required, the slope of the gutter on the high side shall be a continuation of the slope of the superelevated pavement.
- In construction, short vertical curves shall be placed at all angular profile breaks within the limits of the superlevation transition.
- The variable superlevation transition length "L" shall have a minimum value of 50 feet for design speeds under 40 MPH and 75 feet for design speeds of 40 MPH or greater.
- Roadway sections having lane arrangements different from those shown, but composed of a series of planes, shall be superelevated in a similar manner.
- For superlevation of lower speed urban streets, see the FDOT 'Manual Of Uniform Minimum Standards For Design, Construction And Maintenance For Streets And Highways'. For superlevation of curves on rural highways, urban freeways and high speed urban highways, see Index No. 510.

$e_{max.} = 0.05$

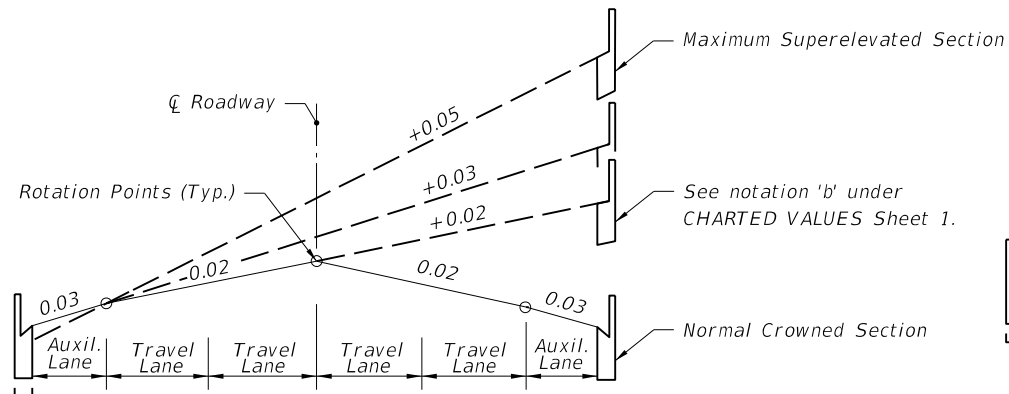
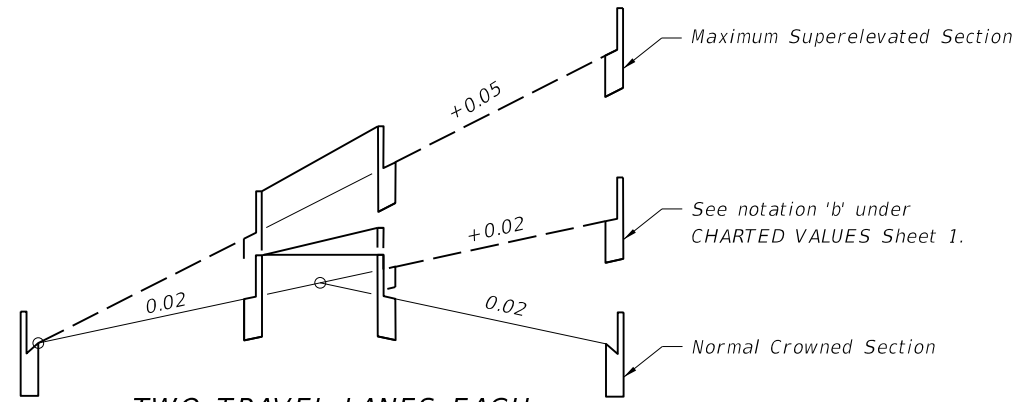
**SUPERELEVATION FOR URBAN HIGHWAYS AND HIGH SPEED URBAN STREETS**

5/20/2014 3:18:08 PM

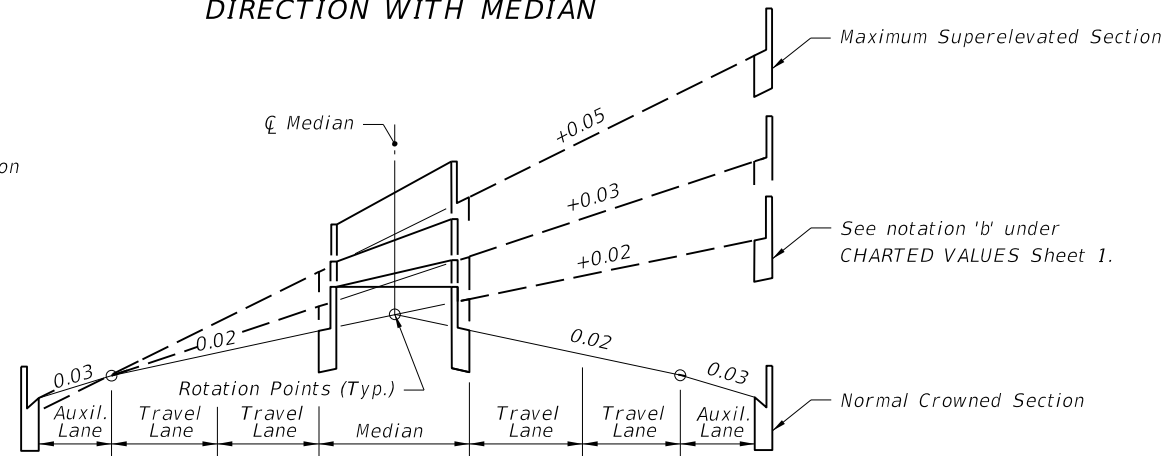
TWO TRAVEL LANES EACH DIRECTION



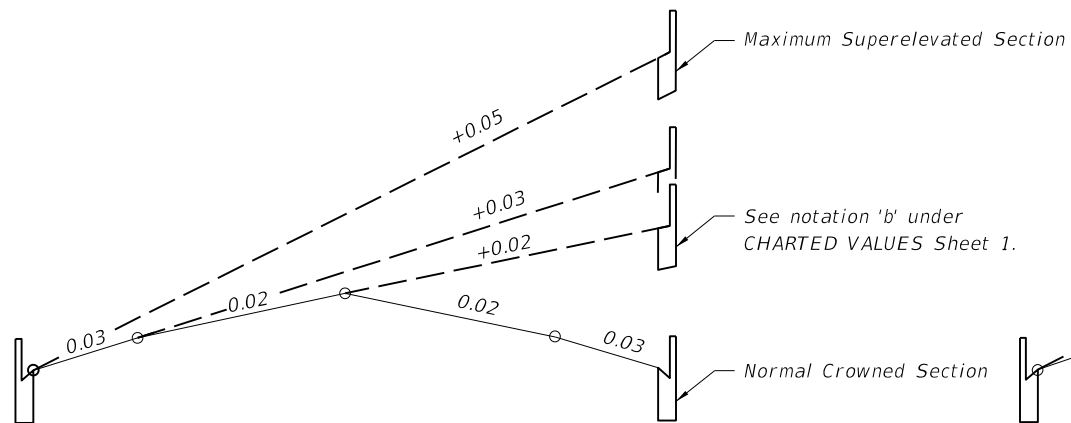
TWO TRAVEL LANES EACH DIRECTION WITH MEDIAN



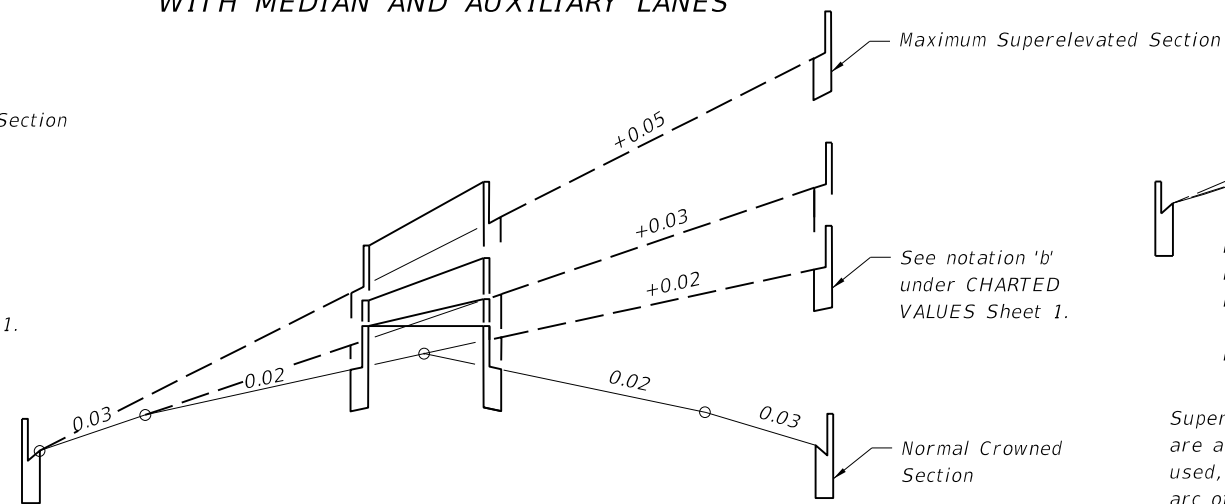
TWO TRAVEL LANES EACH DIRECTION WITH AUXILIARY LANES



TWO TRAVEL LANES EACH DIRECTION WITH MEDIAN AND AUXILIARY LANES

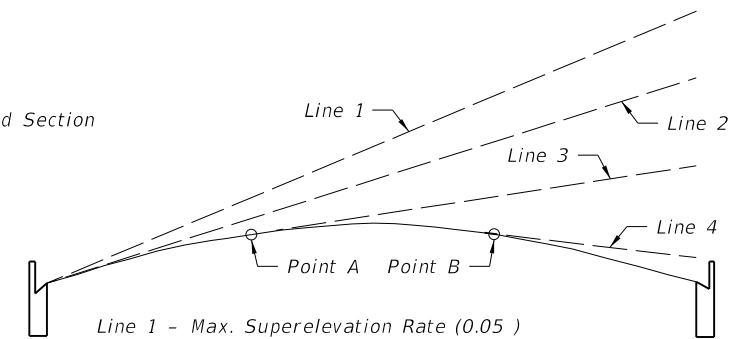


UNDIVIDED FACILITIES



THREE TRAVEL LANES EACH DIRECTION WITH MEDIAN

DIVIDED FACILITIES




Line 1 - Max. Superelevation Rate (0.05 )  
 Line 2 - Slope Of Parabola At Inside Edge Of Pavt.  
 Line 3 - Positive Superelevation Rate Less Than Max. Slope Of Parabola.  
 Line 4 - Adverse Superelevation.

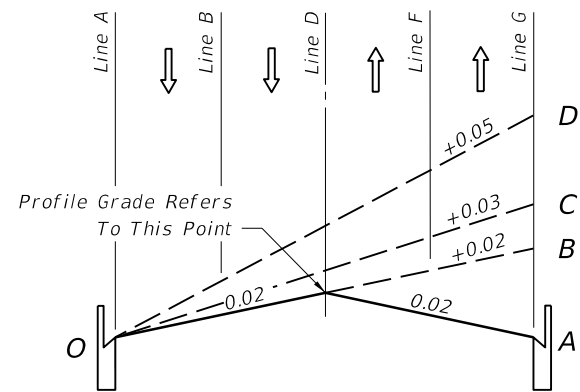
Superelevation rates obtained from the chart or table on Sheet 1 are also applicable to a parabolic crown section. When this section is used, superelevation is established by rotating a tangent about the arc of the parabolic crown until the desired slope is attained (points A & B on sketch). The normal parabolic crown will be maintained outside the limits of the plane thus formed.

PARABOLIC SECTION

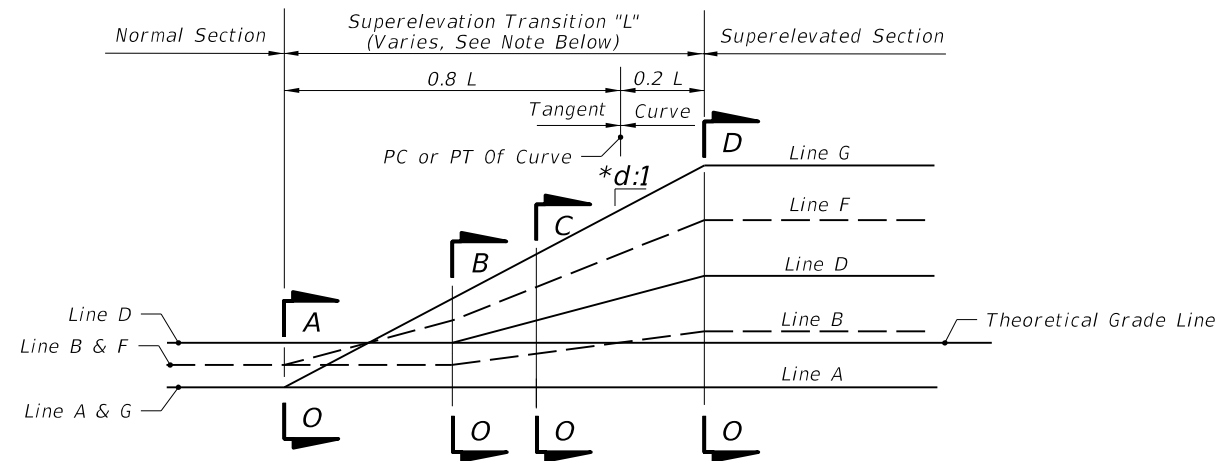
SUPERELEVATION TRANSITION SECTIONS FOR URBAN HIGHWAYS AND HIGH SPEED URBAN STREETS

5/20/2014 3:18:11 PM

LAST REVISION 07/01/00	REVISION	DESCRIPTION:	 2015 DESIGN STANDARDS	SUPERELEVATION URBAN HIGHWAYS AND STREETS	INDEX NO. 511	SHEET NO. 2 of 3
---------------------------	----------	--------------	---	---	------------------	---------------------



SECTION 0-A to 0-D

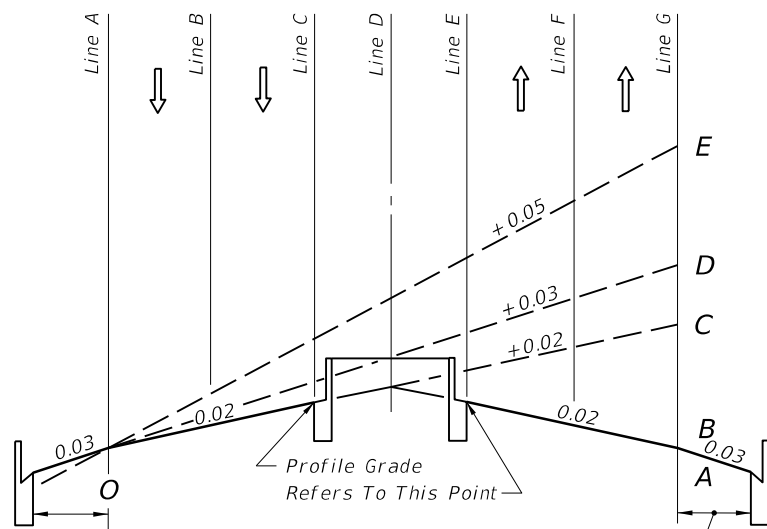


PROFILE

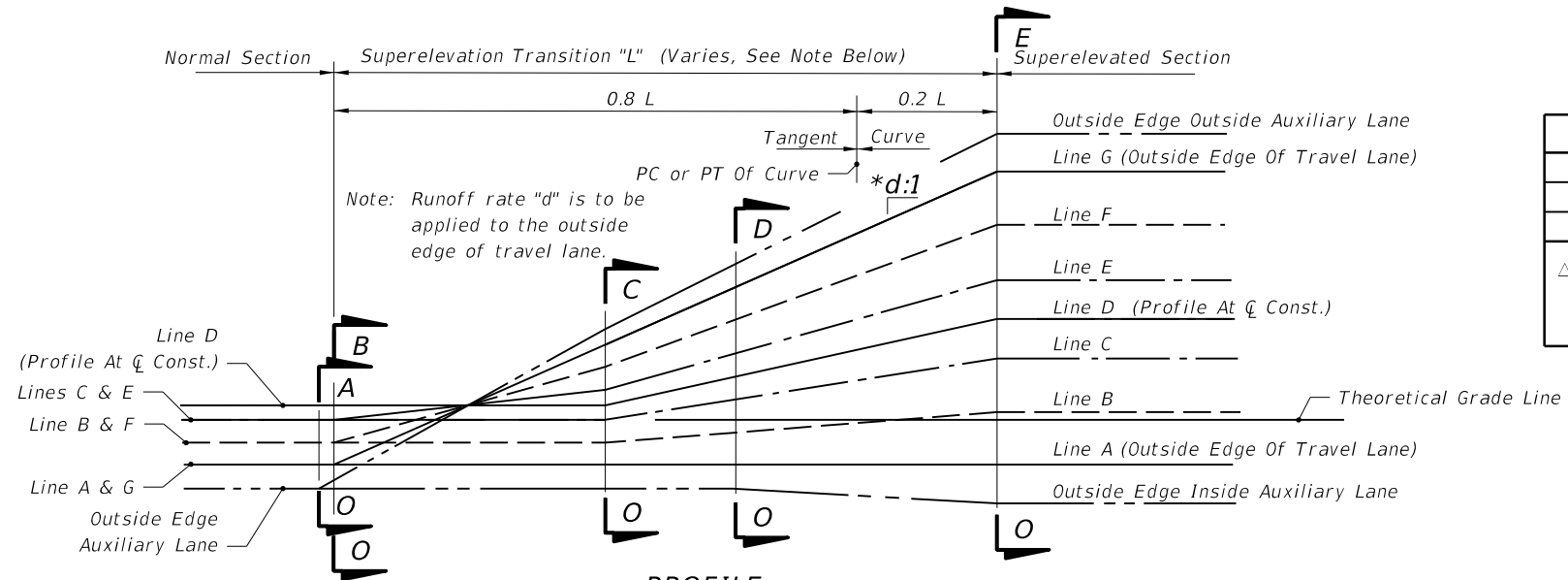
TWO LANES EACH DIRECTION

LINE	DESCRIPTION
A	Inside Travel Lane
B	Inside Lane Line
C	Inside Median Edge Pavement
D	℄ Construction
E	Outside Median Edge Pavement
F	Outside Lane Line
G	Outside Travel Lane

Inside And Outside Are Relative To Curve Center



SECTION 0-A to 0-E



PROFILE

TWO LANES EACH DIRECTION WITH MEDIAN AND AUXILIARY LANE

Note:  
The sections and profiles shown are examples of superelevation transitions.  
Similar schemes should be used for roadways having other sections.

*d (Slope Ratio)	
30 MPH	1: 100
40 MPH	1: 125
45-50 MPH Δ	1: 150

Δ 1: 125 May Be Used For 45 MPH Under Restricted Conditions.

EXAMPLE SUPERELEVATION SECTIONS AND PROFILES  
FOR URBAN HIGHWAYS AND HIGH SPEED URBAN STREETS

5/20/2014 3:18:11 PM