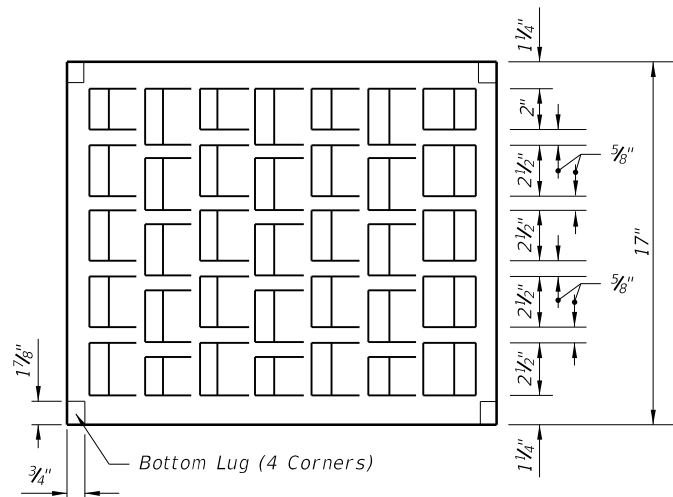
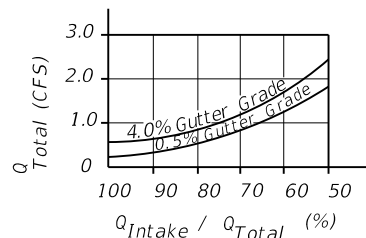


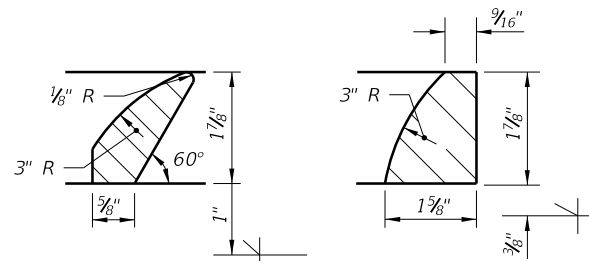
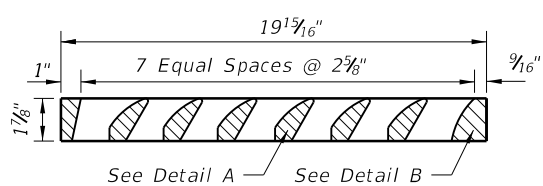
FRAME AND GRATE



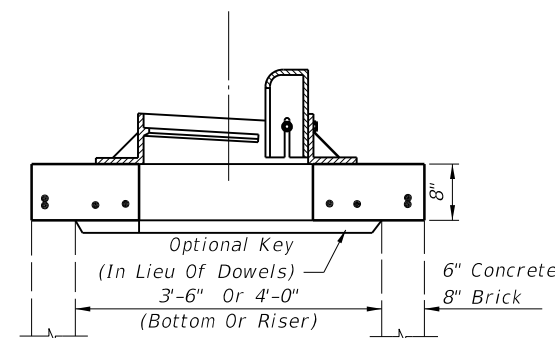
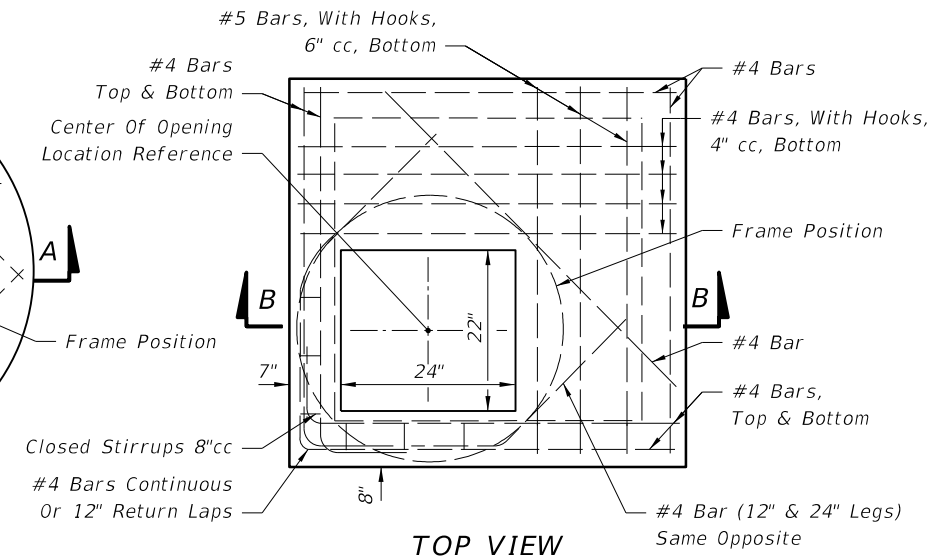
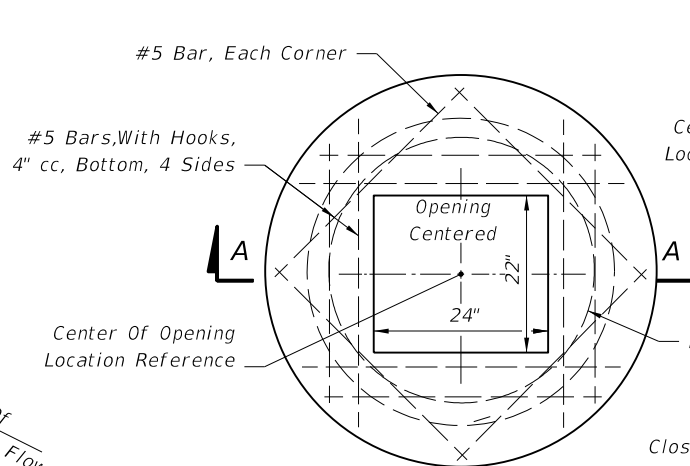
Approximate Debris Free Capacity (0.02 Pavement Cross Slope)



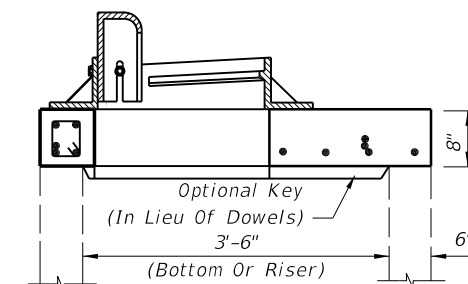
EFFICIENCY CURVE



GRATE DETAIL



SECTION AA
(SEE NOTE 6 BELOW)



SECTION BB
(SEE NOTE 6 BELOW)

TOP SLABS

GENERAL NOTES

1. This inlet is primarily intended for locations with light flows where right of way does not permit the use of throated Curb Inlets Types 1 through 6. The typical application is on curb returns to city streets. The inlet grate is suitable for pedestrian and bicycle traffic.
2. This inlet to be located outside of curb ramp area in vertical faced curbs such as Curb and Gutter Type F. Grate shall be oriented with vanes directed toward predominant flow.
3. For structure bottoms see Index No. 200. For supplemental details see Index No. 201.
4. All steel in slab tops shall have 1 1/4" minimum cover unless otherwise shown. Tops shall be either cast-in-place or precast concrete.
5. For Alternate B applications, top slab openings shall be placed such that 2 edges of inlet frame will be located directly above bottom or riser walls.
6. When used on a structure with dimensions larger than those detail above and risers are not applied, the top slab shall be constructed using Index No. 200 with the slab opening adjusted to 22"x24". The "Special Top Slab" on Index No. 200 is not permitted.
7. Frame may be adjusted with one to six courses of brick.
8. Vaned grates with approximately equal openings will be permitted that satisfy AASHTO HL-93 loading. Grates shall be reversible.

5/20/2014 2:19:59 PM

LAST REVISION 07/01/13	REVISION	DESCRIPTION:	<p>2015 DESIGN STANDARDS</p>	<p>CURB INLET TOP TYPE 10</p>	<p>INDEX NO. 215</p>	<p>SHEET NO. 1 of 1</p>
---------------------------	----------	--------------	----------------------------------	-------------------------------	--------------------------	-----------------------------