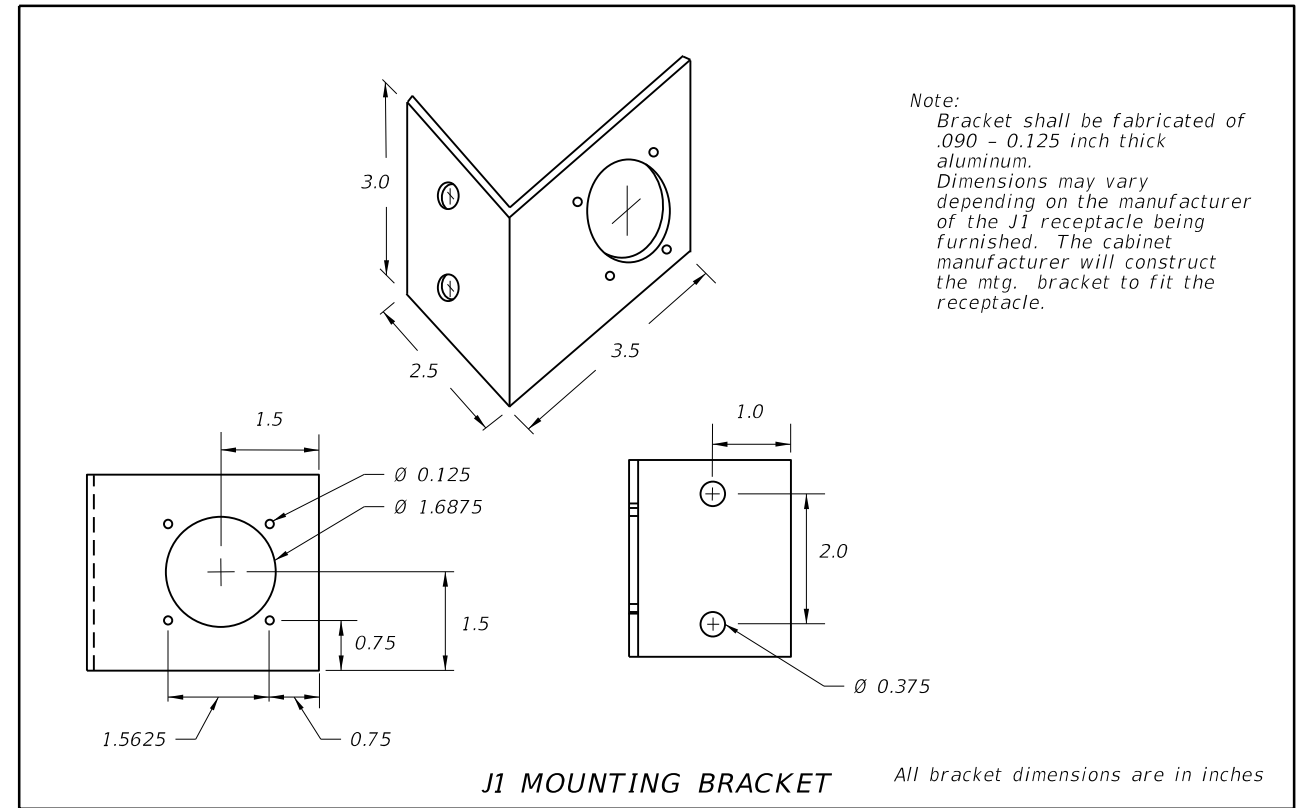
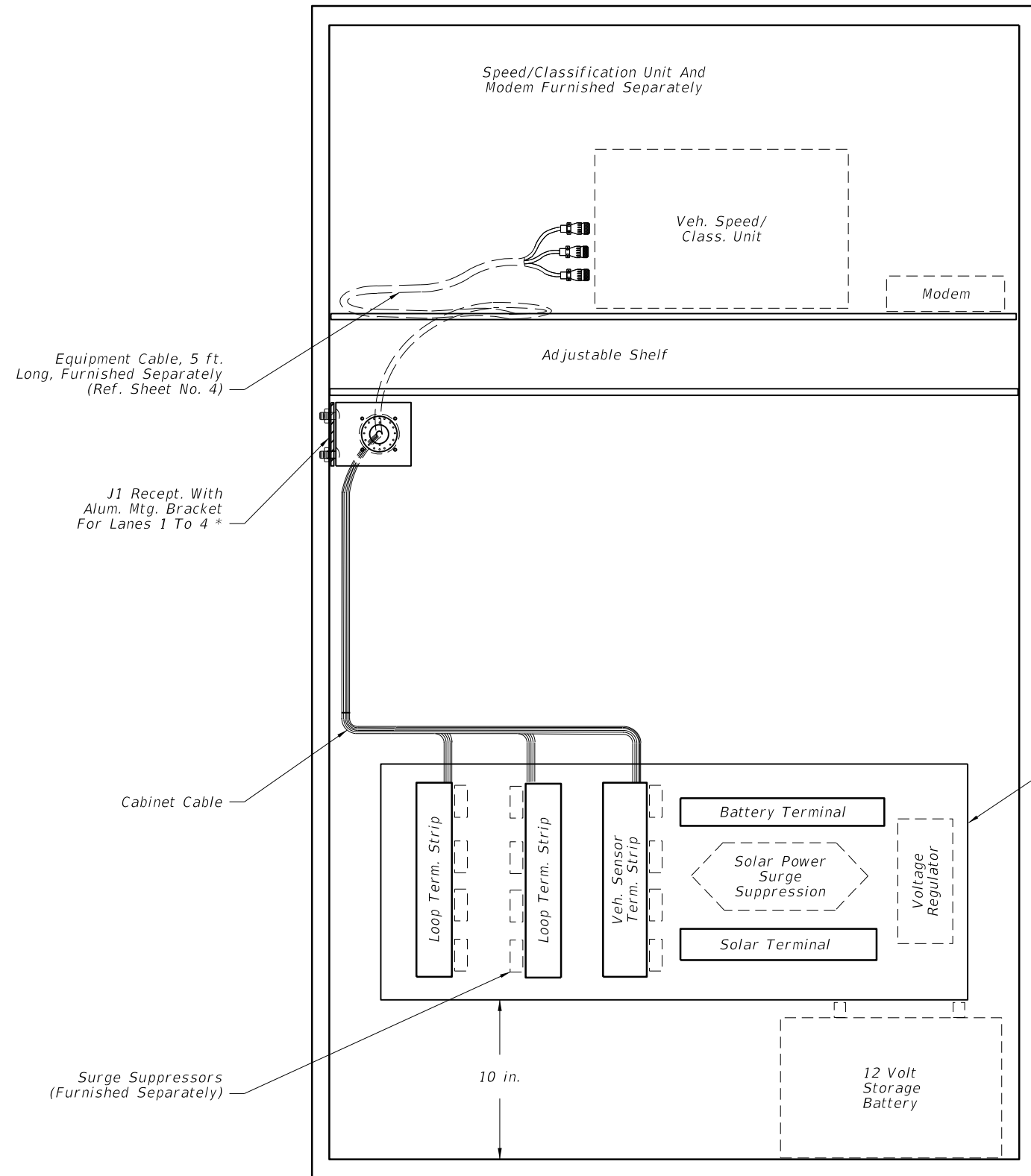



6/24/2013 4:11:38 PM sm970re C:\projects\standards\planning\17900-s\17900-01.dgn



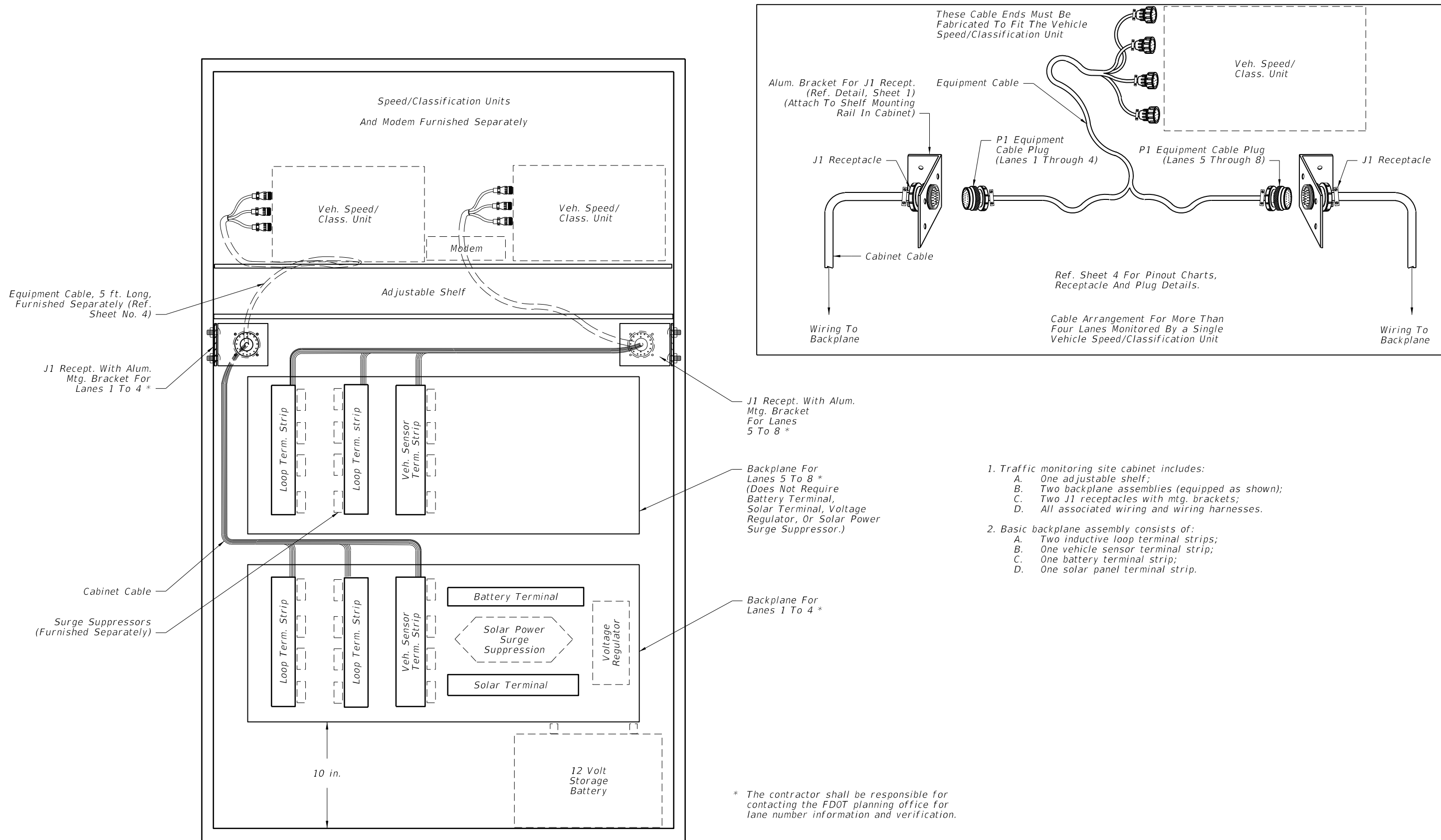
1. Traffic monitoring site cabinet includes:
 - A. One adjustable shelf; (equipped as shown)
 - B. One backplane ass'y;
 - C. One J1 receptacle with mounting bracket;
 - D. All associated wiring and wiring harnesses.
2. Basic backplane assembly consists of:
 - A. Two inductive loop terminal strips;
 - B. One vehicle sensor terminal strip;
 - C. One battery terminal strip;
 - D. One solar panel terminal strip.

* The contractor shall be responsible for contacting the FDOT planning office for lane number information and verification.

CABINET LAYOUT DETAIL (For Up To Four Lanes)

LAST REVISION	REVISION	DESCRIPTION:	 <p>FDOT 2014 DESIGN STANDARDS</p>	<p>TRAFFIC MONITORING SITE</p>	<p>INDEX NO. 17900</p>	<p>SHEET NO. 1 of 7</p>
07/01/07						


6/24/2013 4:11:40 PM sm970re C:\projects\standards\planning\17900-s\17900-02.dgn



1. Traffic monitoring site cabinet includes:
 - A. One adjustable shelf;
 - B. Two backplane assemblies (equipped as shown);
 - C. Two J1 receptacles with mtg. brackets;
 - D. All associated wiring and wiring harnesses.
2. Basic backplane assembly consists of:
 - A. Two inductive loop terminal strips;
 - B. One vehicle sensor terminal strip;
 - C. One battery terminal strip;
 - D. One solar panel terminal strip.

* The contractor shall be responsible for contacting the FDOT planning office for lane number information and verification.

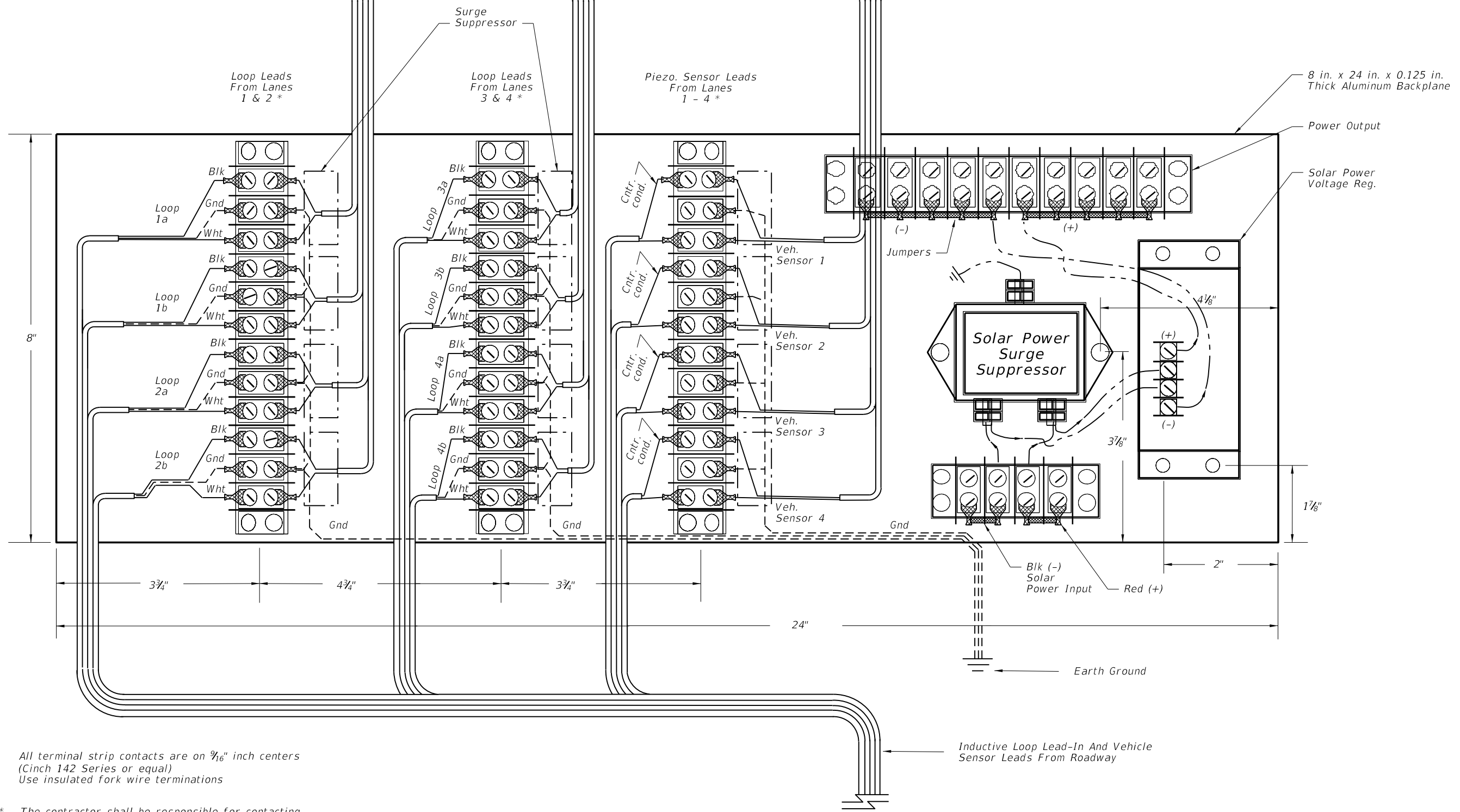
CABINET LAYOUT DETAIL (For More Than Four Lanes And Up To Eight Lanes)

LAST REVISION 07/01/07	REVISION	DESCRIPTION:	 FDOT 2014 DESIGN STANDARDS	TRAFFIC MONITORING SITE	INDEX NO. 17900	SHEET NO. 2 of 7
---------------------------	----------	--------------	--	--------------------------------	---------------------------	----------------------------

C:\projects\standards\planning\17900-s\17900-03.dgn
sm970re
4:11:42 PM
6/24/2013

To J1 Receptacle


Ref. sheet no. 1 or 2, note 2
for items to be included with backplane



All terminal strip contacts are on $\frac{1}{16}$ " inch centers
(Cinch 142 Series or equal)
Use insulated fork wire terminations

* The contractor shall be responsible for contacting
the FDOT planning office for lane number
information and verification.

CABINET BACKPLANE DETAIL

LAST REVISION 07/01/07	REVISION	DESCRIPTION:	 <p>FDOT 2014 DESIGN STANDARDS</p>	<p>TRAFFIC MONITORING SITE</p>	<p>INDEX NO. 17900</p>	<p>SHEET NO. 3 of 7</p>
---------------------------	----------	--------------	---	--------------------------------	----------------------------	-----------------------------

Alum. Bracket For J1 Recept. (Attach To Shelf Mounting Rail In Cabinet)

J1 Receptacle (Amphenol 28-12 Recept. W/Male Pins And MS Type Clamp, Or Equal.)

Cabinet Cable

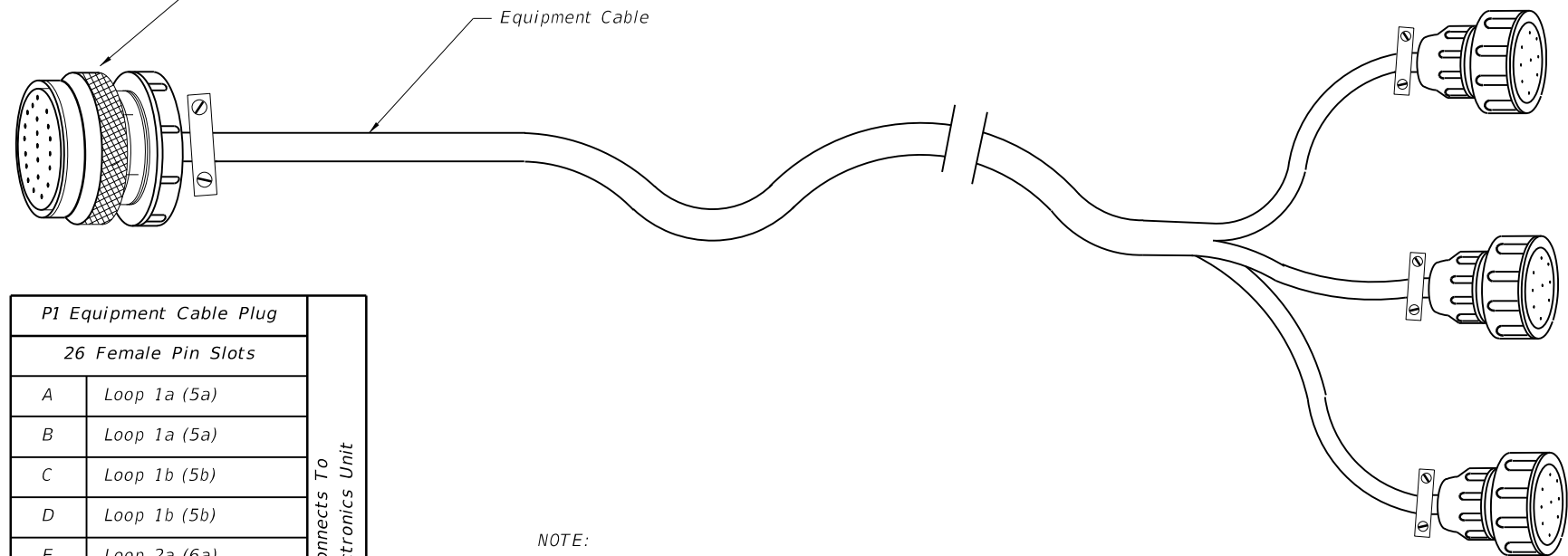
Wiring To Backplane

J1 Receptacle Pinout	
26 Recessed Male Pins	
A	Loop 1a (5a) yellow
B	Loop 1a (5a) purple
C	Loop 1b (5b) gray
D	Loop 1b (5b) pink
E	Loop 2a (6a) brown
F	Loop 2a (6a) blue
G	Loop 2b (6b) orange
H	Loop 2b (6b) tan
J	Loop 3a (7a) white
K	Loop 3a (7a) green
L	Loop 3b (7b) red
M	Loop 3b (7b) black
N	Gnd
P	Loop 4a (8a) w/yellow
R	Loop 4a (8a) w/purple
S	Loop 4b (8b) w/gray
T	Loop 4b (8b) w/brown
U	Piezo 1 (5) (+) w/blue
V	Piezo 1 (5) sh w/orange
W	Piezo 2 (6) (+) w/green
X	Piezo 2 (6) sh w/red
Y	Piezo 3 (7) (+) w/black
Z	Piezo 3 (7) sh w/red/blk
a	Piezo 4 (8) (+) red/green
b	Piezo 4 (8) sh red/yellow
d	Gnd red/black

P1 Equipment Cable Plug (Amphenol 28-12 Plug W/Female Pin Slots And MS Type Clamp, Or Equal.)

Equipment Cable

These Cable Ends Must Be Fabricated To Fit The Vehicle Speed/Classification Unit



P1 Equipment Cable Plug	
26 Female Pin Slots	
A	Loop 1a (5a)
B	Loop 1a (5a)
C	Loop 1b (5b)
D	Loop 1b (5b)
E	Loop 2a (6a)
F	Loop 2a (6a)
G	Loop 2b (6b)
H	Loop 2b (6b)
N	Gnd
J	Loop 3a (7a)
K	Loop 3a (7a)
L	Loop 3b (7b)
M	Loop 3b (7b)
P	Loop 4a (8a)
R	Loop 4a (8a)
S	Loop 4b (8b)
T	Loop 4b (8b)
d	Gnd
U	Piezo 1 (5) (+)
V	Piezo 1 sh
W	Piezo 2 (6) (+)
X	Piezo 2 sh
Y	Piezo 3 (7) (+)
Z	Piezo 3 sh
a	Piezo 4 (8) (+)
b	Piezo 4 sh

NOTE:

The equipment cable can accommodate up to four lanes of inductive loop and vehicle sensor inputs. (Ref. Sheet No. 1 for cabinet layout)

For more than four lanes and up to eight lanes of inputs, the following options are available:

1. A second Vehicle Speed/Class. Unit and separate equipment cable connecting to a second J1 receptacle; or
2. A single Vehicle Speed/Class. Unit capable of up to eight lanes of inputs and a single equipment cable with split ends to fit two J1 receptacles. (Ref. Sheet 2 detail)


Numbers in parenthesis in the pinout chart identify lane numbers when a second backplane for lanes 5 through 8 is required.

NOTE:

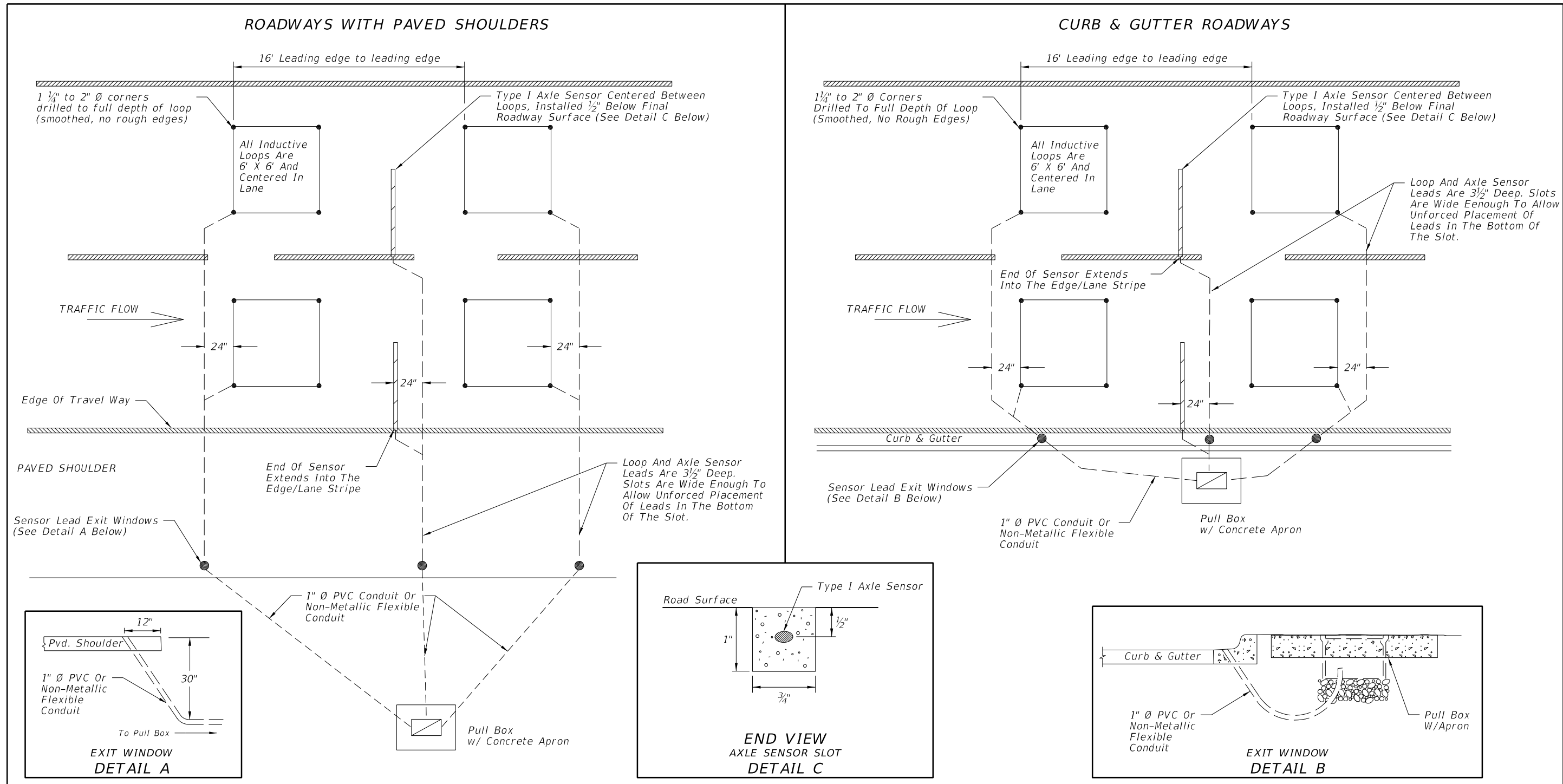
The contractor shall be responsible for contacting the FDOT planning office for lane number information and verification.

C:\projects\standards\planning\17900-s\17900-04.dgn 4:11:44 PM sm970re 6/24/2013

EQUIPMENT CABLE DETAIL

LAST REVISION 07/01/07	REVISION	DESCRIPTION:	 <p>FDOT 2014 DESIGN STANDARDS</p>	<p>TRAFFIC MONITORING SITE</p>	INDEX NO. 17900	SHEET NO. 4 of 7
---------------------------	----------	--------------	---	--------------------------------	--------------------	---------------------


TYPICAL FOR UP TO 4 LANES OF SENSOR LEADS PULLED TO ONE SIDE OF THE ROADWAY



NOTES:

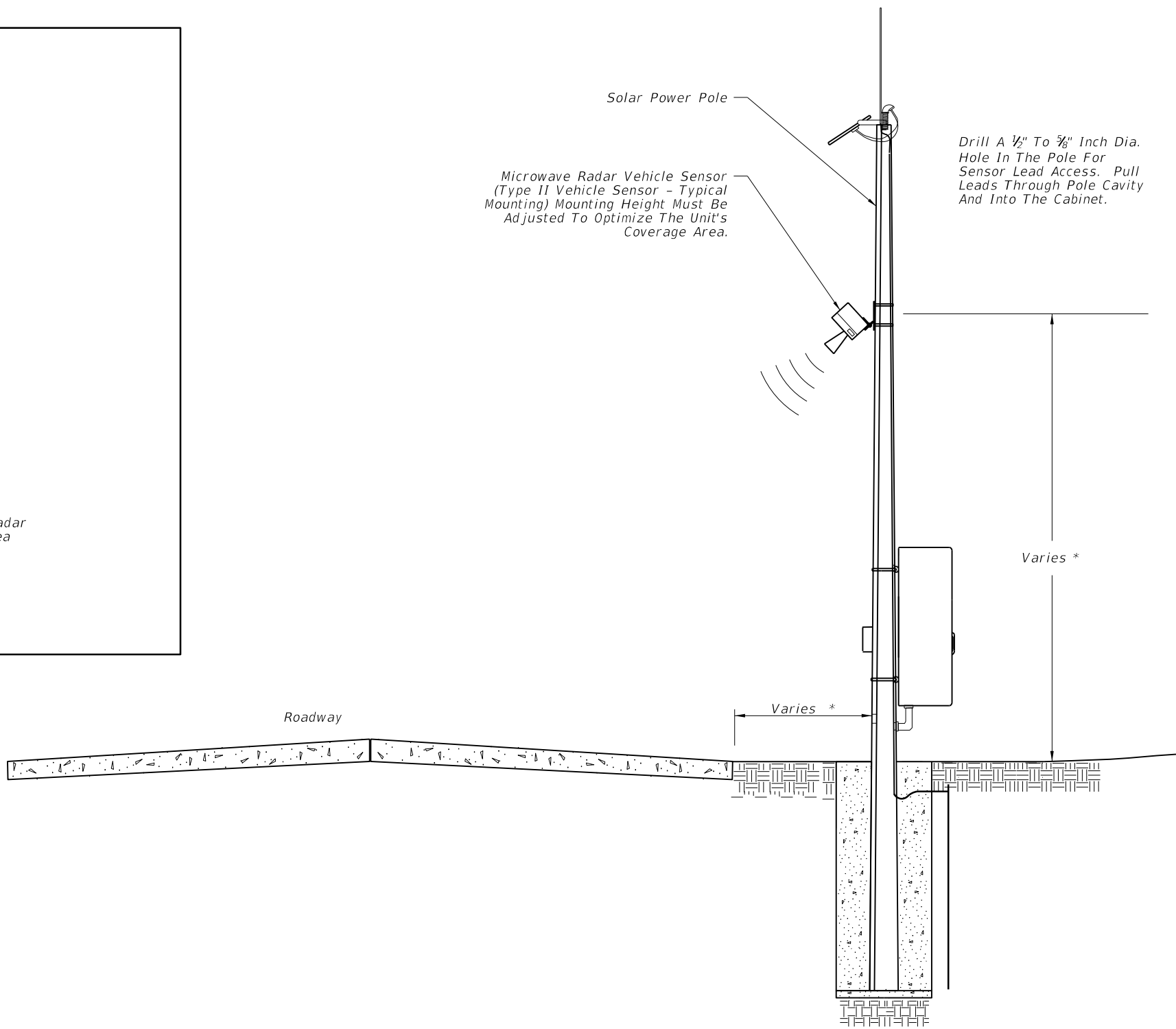
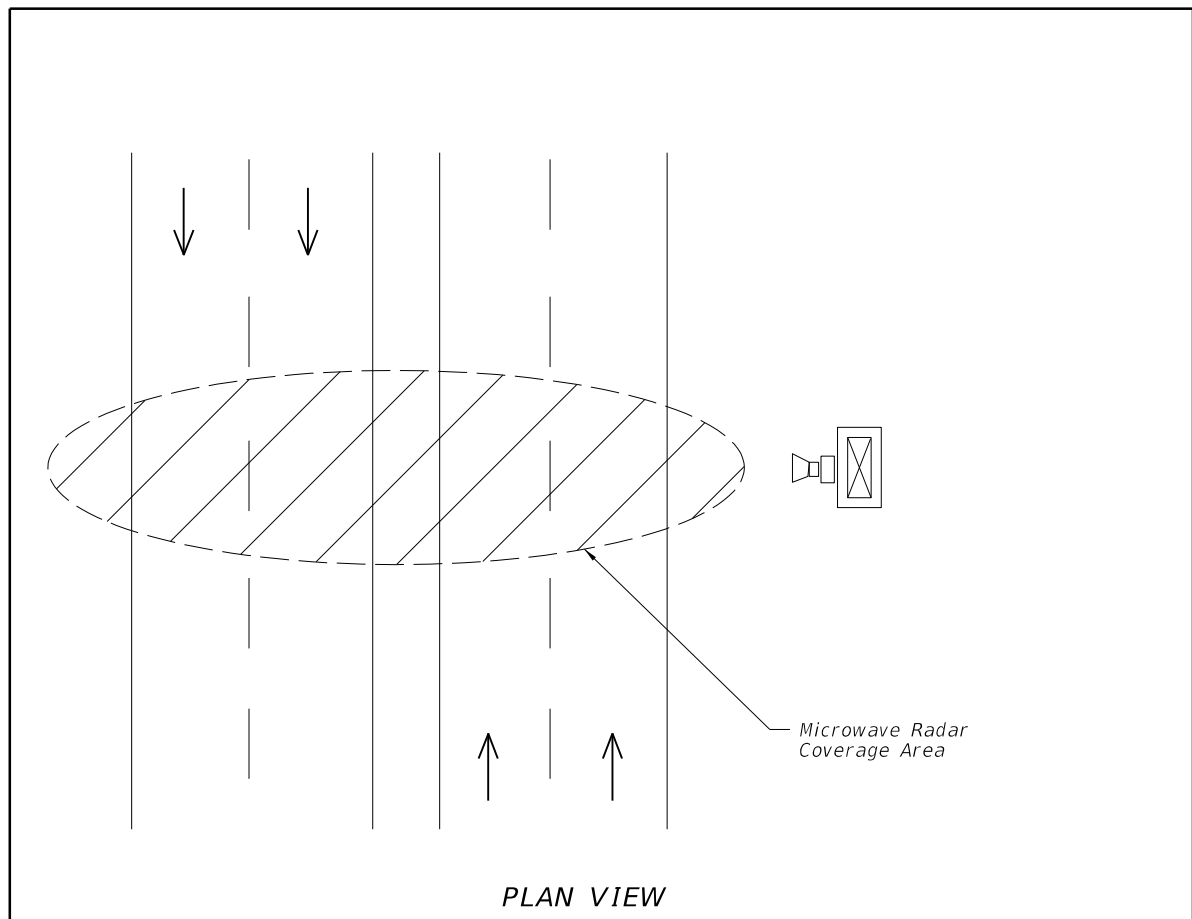
- Type I axle sensors shall be installed after placement of the friction course. Loops associated with axle sensors shall also be installed after placement of the friction course.
- Inductive loops slots shall be cut 3 1/2" deep. Loop slots will be cut wide enough to allow unforced placement of the wire into the bottom of the slot. Four turns of #12 AWG, type XHHW stranded copper wire, or #14 AWG, IMSA 51-7 copper wire shall be placed in the slot. Short pieces of backer rod (2" to 3" in length) shall be placed every 18" to 24" to hold the loop wire in the bottom of the slot.
- Loop leads shall be twisted at the rate of 6 to 8 twists per foot. For loops that are within 150' of the cabinet, the twisted pair loop wire shall be extended directly to the cabinet and no shielded lead-in cable is required. For distances over 150', #14 IMSA 50-2 shielded lead-in cable must be spliced to the loop wire twisted pair at the first pull box to which the loop wire is pulled.
- The Contractor shall be responsible for contacting the FDOT office that maintains the traffic monitoring site in order to obtain lane numbering identification. All leads shall be labeled with permanent markers to indicate their lane number and position. For example: The leading loop (the first loop a vehicle encounters) in the lane designated as number 1, shall be marked as "1A". The trailing loop, if present, shall be marked "1B". If an axle sensor is present, the sensor will be marked as "P1" for lane #1, P2 for lane #2, and so on for all lanes.
- See Index 17700 for pull box and apron details.
- All splices will be performed using splice kits designed for direct burial. Splice kits will include screw on wire connectors and a housing with sufficient sealant to fully encapsulate the spliced connections. Taped splices are not permitted.

LANE LAYOUT FOR TMS INDUCTIVE LOOP AND TYPE I AXLE SENSOR

LAST REVISION 01/01/12	REVISION	DESCRIPTION:	 <p>FDOT 2014 DESIGN STANDARDS</p>	<p>TRAFFIC MONITORING SITE</p>	INDEX NO. 17900	SHEET NO. 5 of 7

C:\projects\standards\planning\17900-s\17900-05.dgn
 smg70re
 4:11:46 PM
 6/24/2013

C:\projects\standards\planning\17900-s\17900-06.dgn
 sm970re
 4:11:48 PM
 6/24/2013




The Unit Must Be Capable Of Detecting Up To Eight Lanes Of Traffic (In Either Or Both Directions) When Mounted Perpendicular To The Roadway.

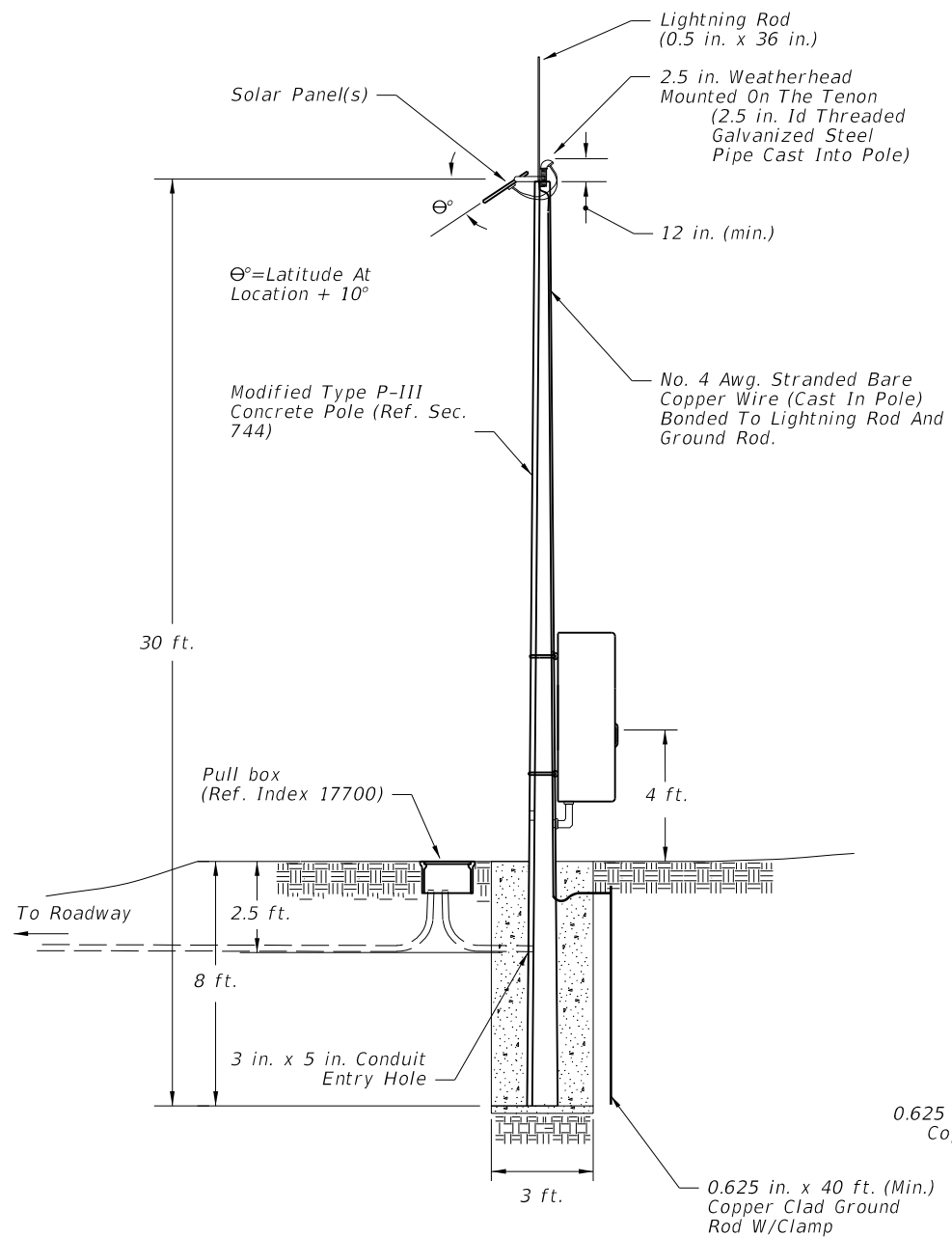
Coverage Area Of The Unit Is Affected By The Roadway Geometry: Distance From The Travel Lanes, Median Type And Width, Barrier Walls, Etc.

* Mounting height of the unit and offset from the roadway must be determined on a site-by-site basis, in accordance with the manufacturer's recommended guidelines. Offset of pole must be greater than or equal to minimum clear zone requirements.

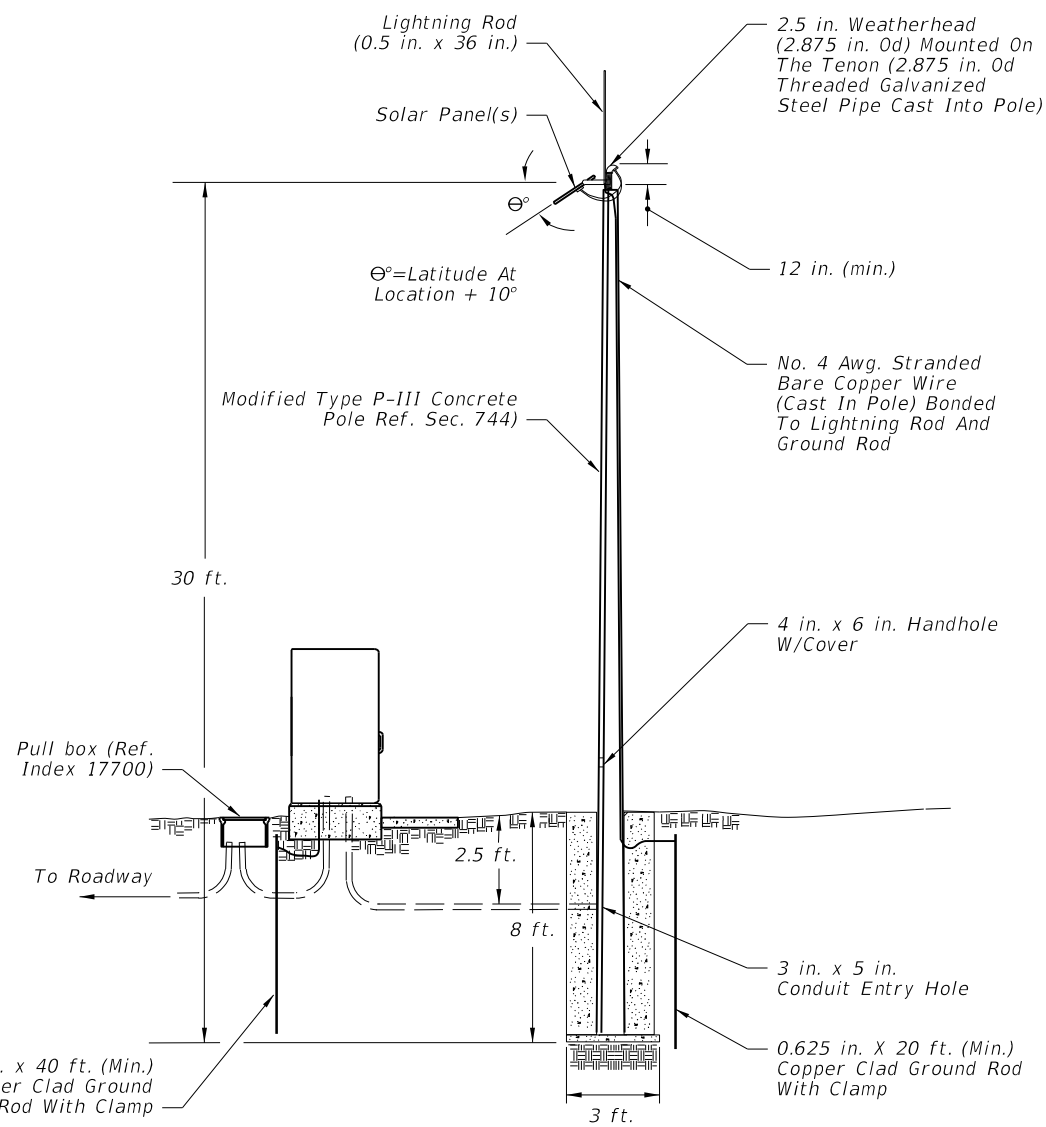
TYPE II WIRELESS VEHICLE SENSOR MICROWAVE RADAR

LAST REVISION 01/01/12	REVISION	DESCRIPTION:	 <p>FDOT 2014 DESIGN STANDARDS</p>	TRAFFIC MONITORING SITE	INDEX NO. 17900	SHEET NO. 6 of 7
---------------------------	----------	--------------	---	-------------------------	--------------------	---------------------

Note: Cabinet installed per Index 17841 except cabinet center will be 4 feet above grade.

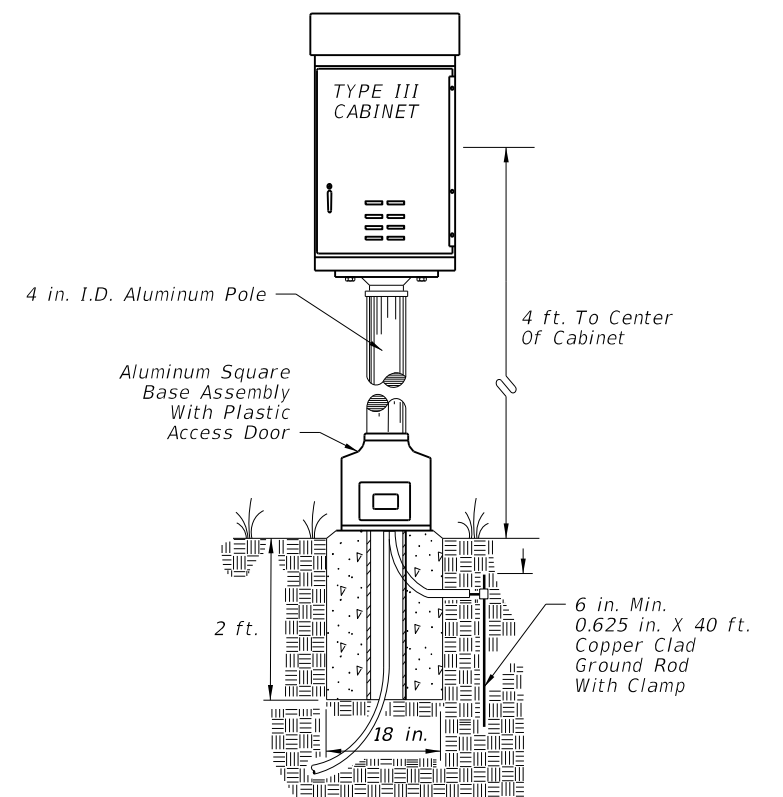


SOLAR POWER POLE WITH POLE MTD. CABINET



SOLAR POWER POLE WITH BASE MTD. CABINET

Cabinet And Pole Will Be 10 ft. Apart Unless Otherwise Specified In The Plans




PEDESTAL MTD. CABINET

Wire for Solar Panel Array installations shall be #10 AWG stranded copper, Red insulation is THHN or THWN for positive 12 volts wiring, Black insulation is THHN or THWN for negative, 12 volts wiring, Green insulation is THHN or THWN for ground bonding of the solar panel frame to the pole and earth.

Pole placement shall be in accordance with section 125.4 and 125.8.2 of the Standard Specifications.

SOLAR POWER POLE DETAIL

C:\projects\standards\planning\17900-s\17900-07.dgn
sm970re
4:11:49 PM
6/24/2013

LAST REVISION 01/01/12	REVISION	DESCRIPTION:	 <p>FDOT 2014 DESIGN STANDARDS</p>	<p>TRAFFIC MONITORING SITE</p>	INDEX NO. 17900	SHEET NO. 7 of 7
---------------------------	----------	--------------	--	---------------------------------------	--------------------	---------------------