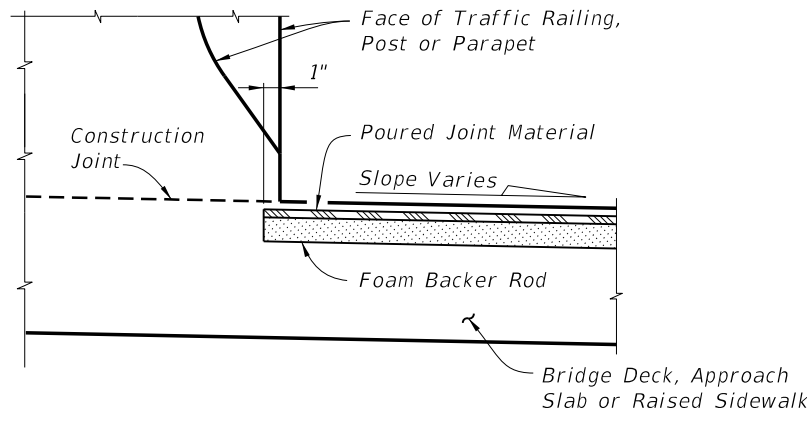
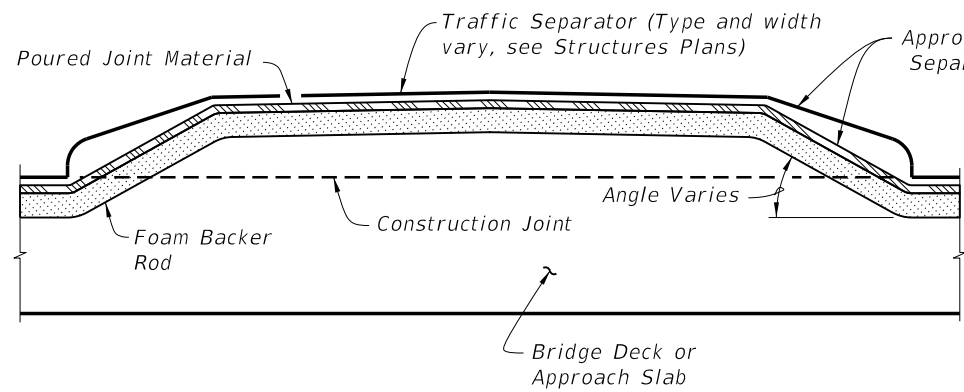


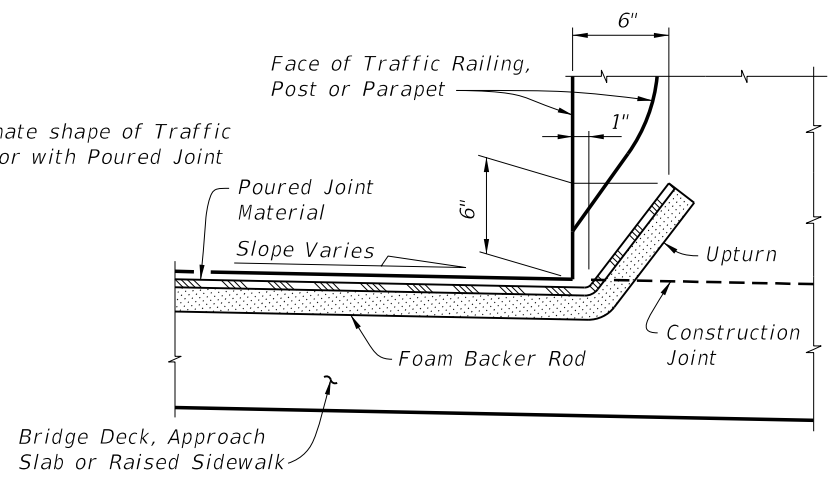
C:\projects\standards\structures\current\ready\4release\2014\jan_dsr\21110-1of2.dgn
rd960dm
2:12:47 PM
1/16/2014



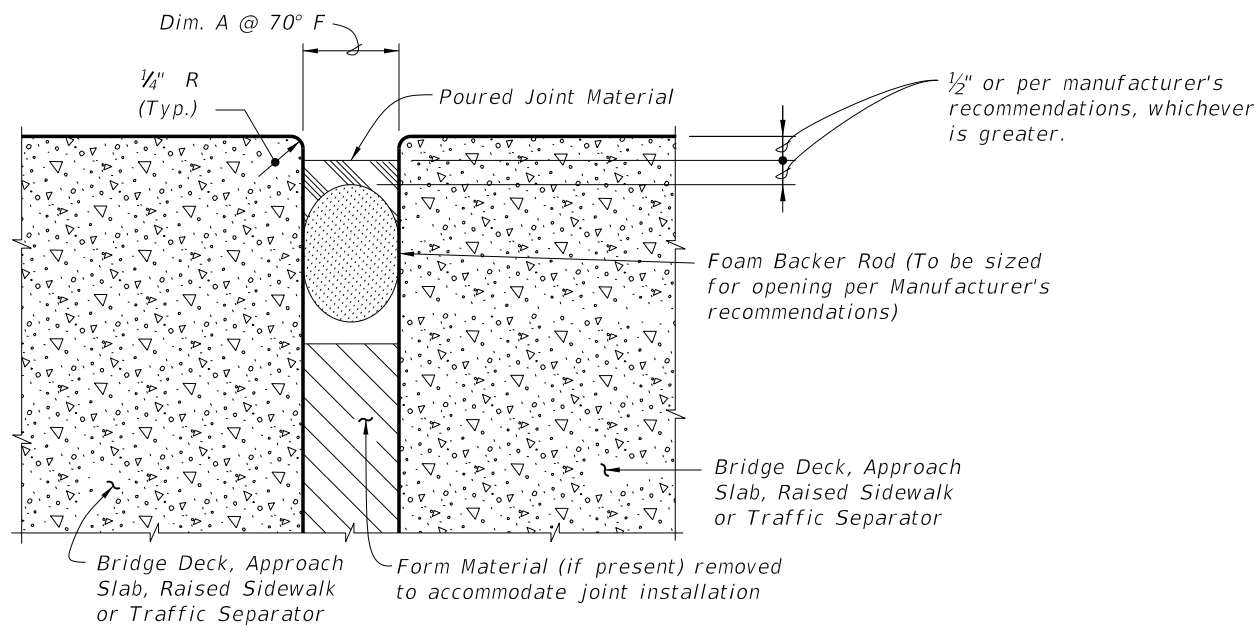
PARTIAL SECTION ALONG Q JOINT
JOINT TREATMENT AT HIGH SIDE OF
DECK WITH SLOPES 2% OR GREATER



PARTIAL SECTION ALONG Q JOINT,
JOINT TREATMENT AT TRAFFIC SEPARATOR



PARTIAL SECTION ALONG Q JOINT
JOINT TREATMENT AT LOW SIDE OF DECK OR
HIGH SIDE OF DECK WITH SLOPES < 2%



TYPICAL SECTION THRU JOINT

GENERAL NOTES:

1. Furnish and install Poured Joint With Backer Rod Expansion Joint Systems in accordance with Specification Sections 458 and 932 using Type D silicone sealant material.
2. Refer to the Structures Plans, Poured Expansion Joint Data Table for Dim. A @ 70° F.

LAST REVISION 01/01/14	DESCRIPTION: Delete Notes 2 and 3; Clarified Note 1 to specify Type D silicone is to be used; Clarified "Typical Section Thru Joint" detail to show 1/2" recess and silicone thickness.
---------------------------	--



POURED JOINT WITH BACKER ROD
EXPANSION JOINT SYSTEM

INDEX NO. 21110	SHEET NO. 1 of 2
--------------------	---------------------