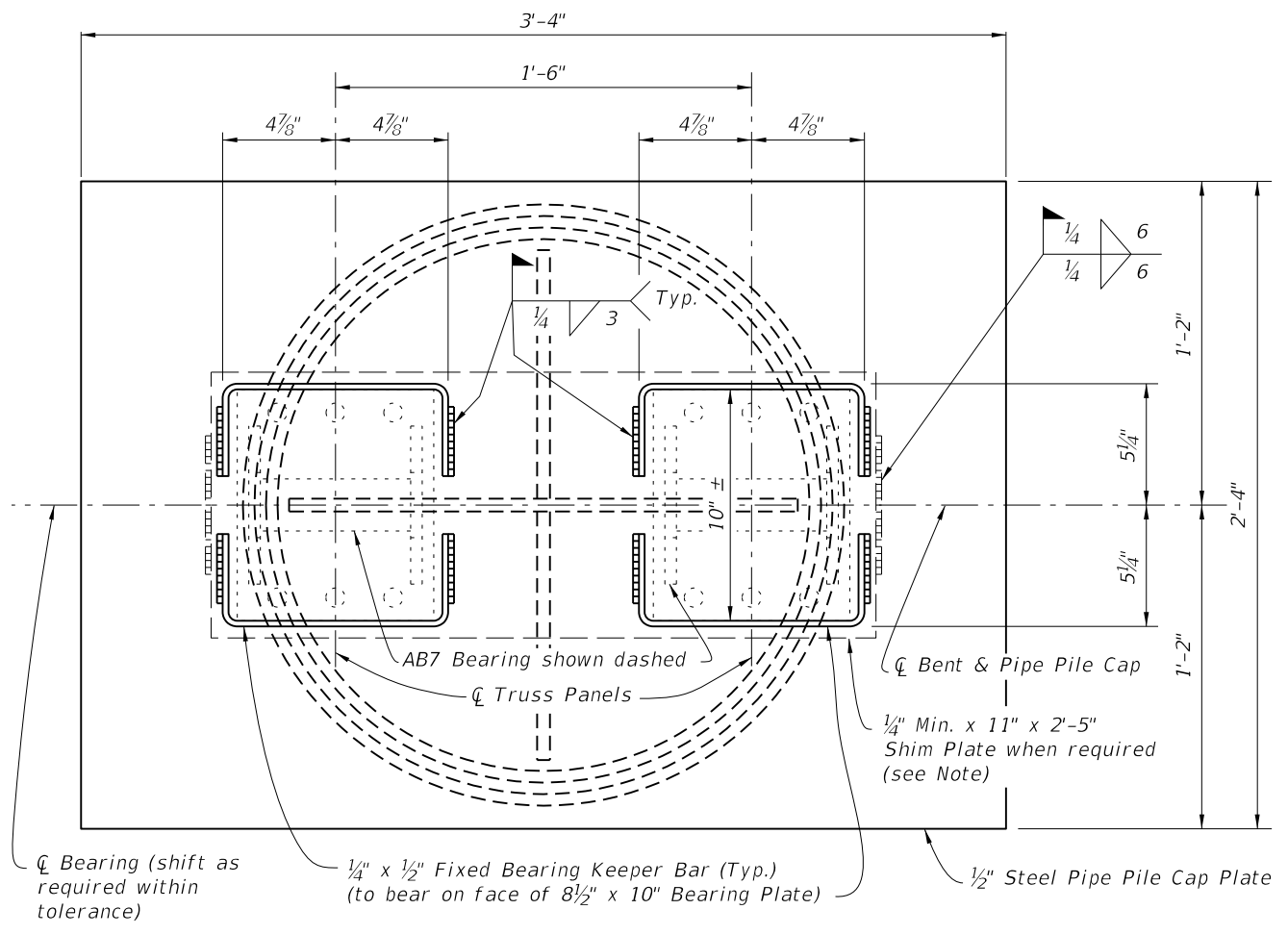
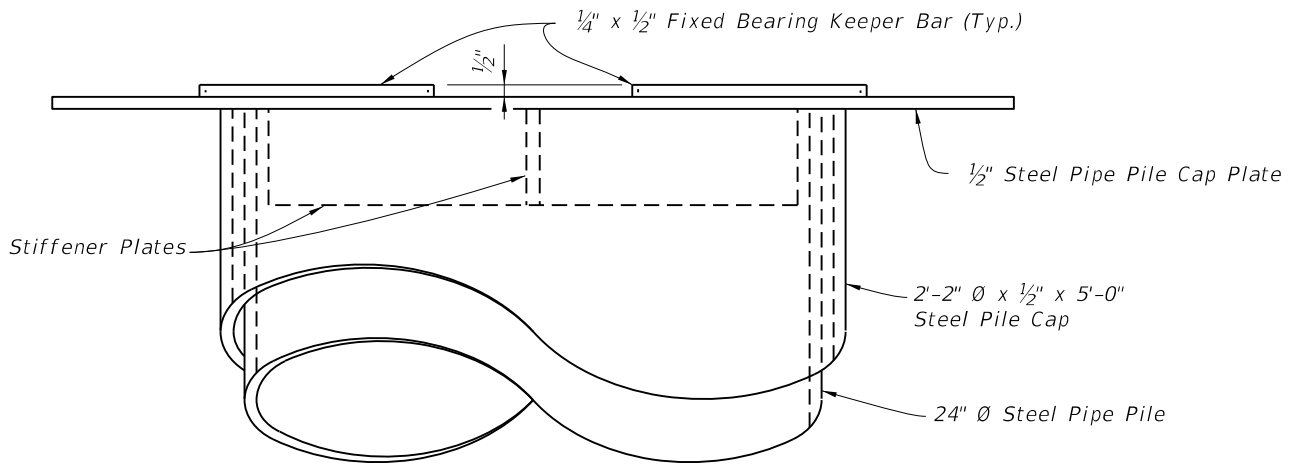




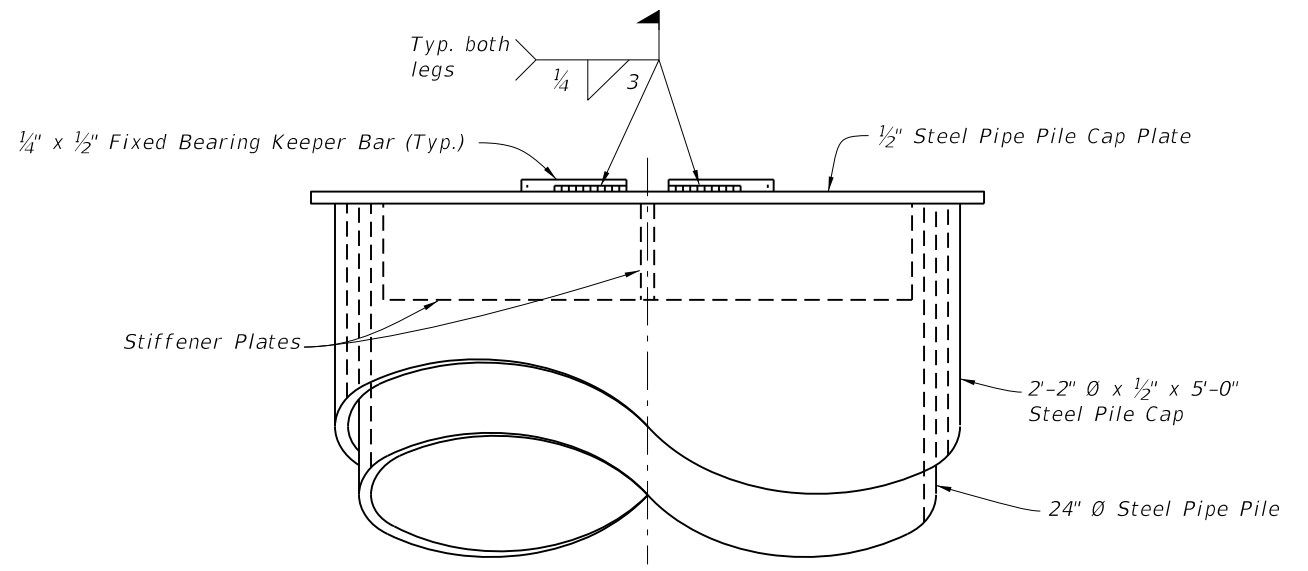
C:\projects\standards\structures\current\ready\4release\2014B00K\21630-2of3.dgn  
 sm970re  
 8:02:43 PM  
 6/24/2013



PARTIAL PLAN VIEW

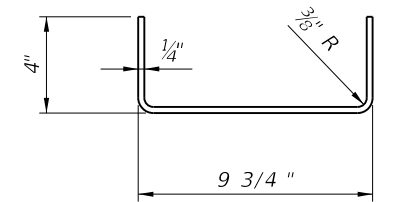


PARTIAL ELEVATION VIEW




END VIEW

Note:  
 Use Shim Plates as required to provide equal bearing seat elevations across the bent. Vary thickness of Shim Plate across the pile cap plate to provide a level bearing area in the transverse direction.

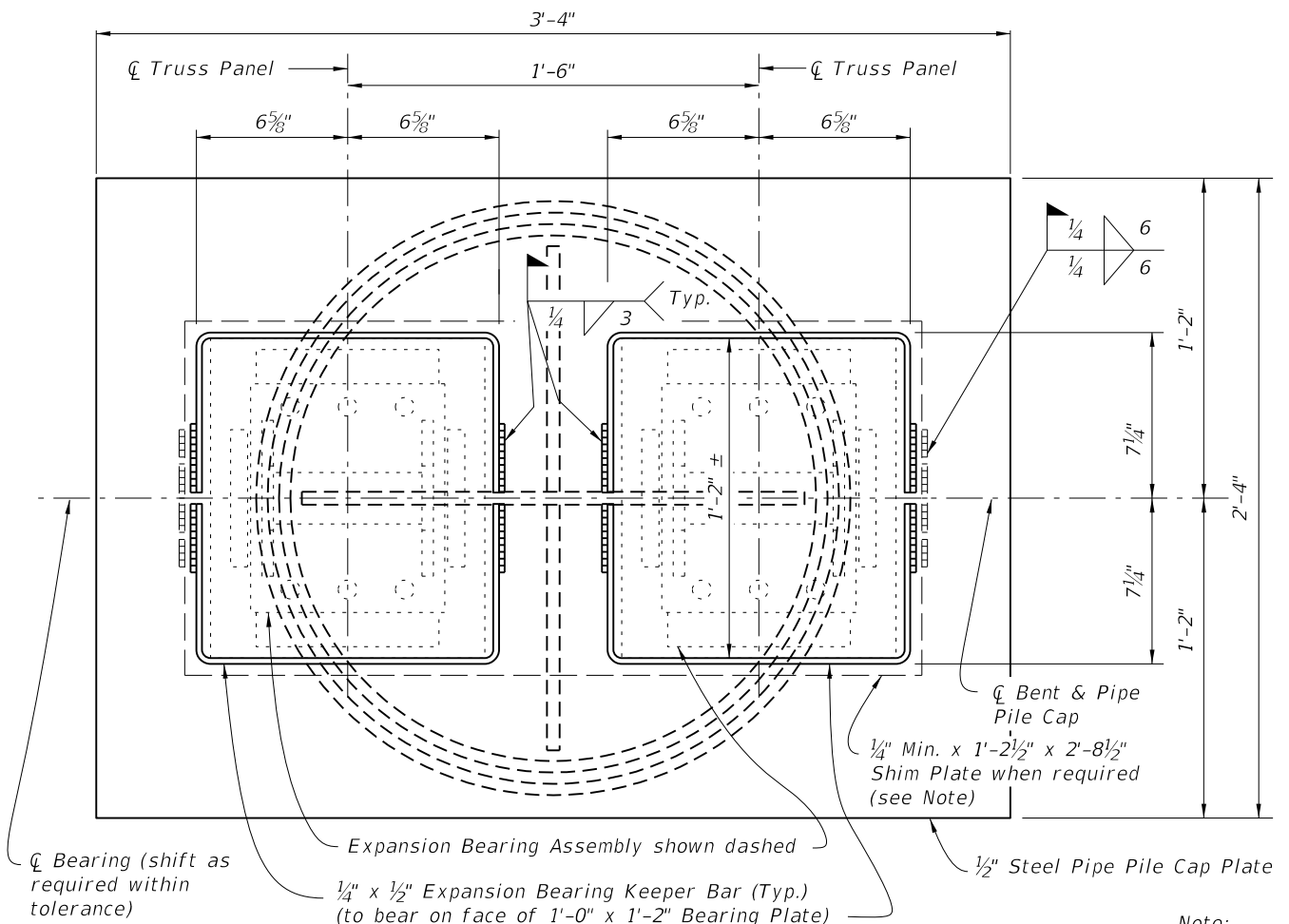


FIXED BEARING KEEPER BAR DETAIL

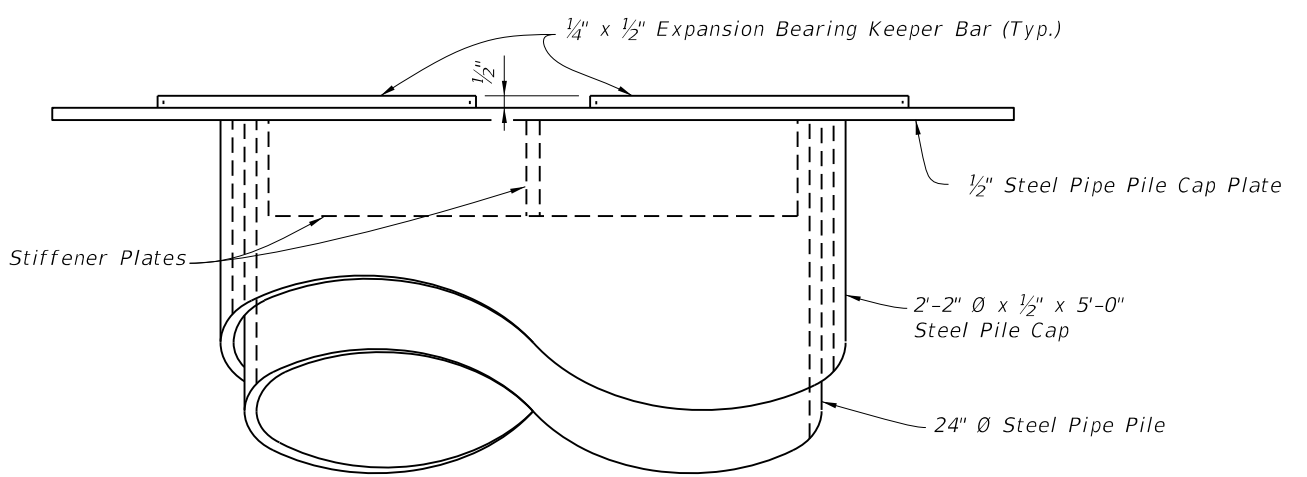
FIXED BEARING DETAILS

LAST REVISION 07/01/06	REVISION	DESCRIPTION:	 FDOT 2014 DESIGN STANDARDS	TEMPORARY DETOUR BRIDGE DETAILS STEEL PIPE PILE FOUNDATIONS	INDEX NO. 21630	SHEET NO. 2 of 3
---------------------------	----------	--------------	--	--	--------------------	---------------------

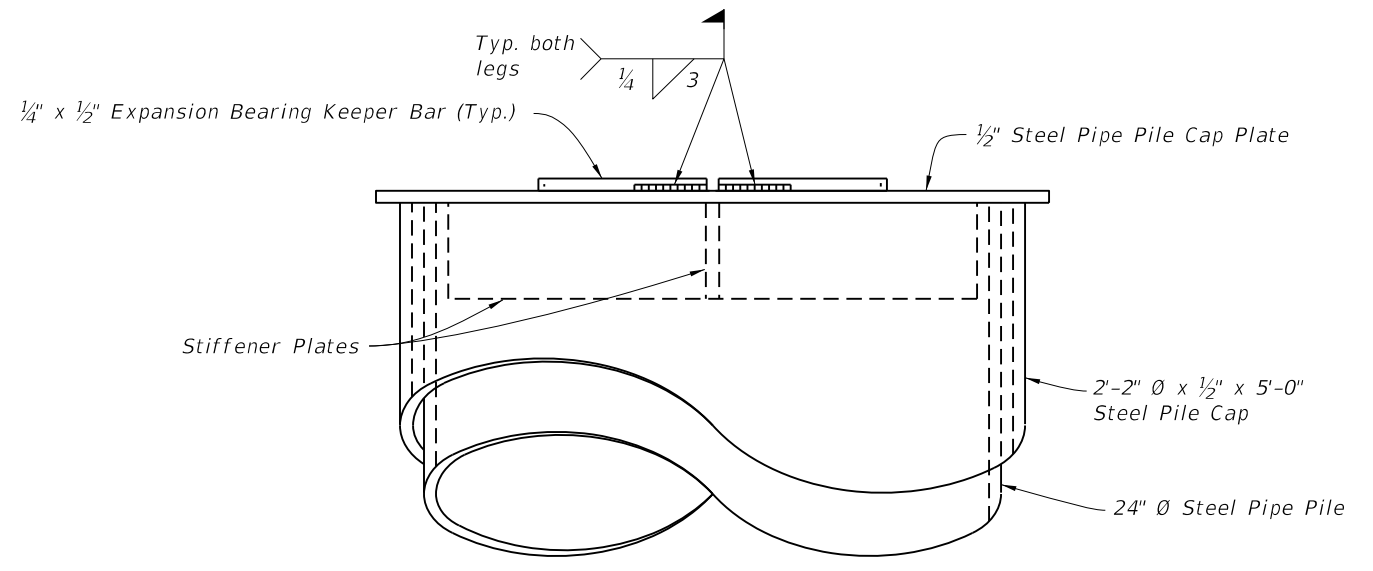
C:\projects\standards\structures\current\ready\4release\2014B00K\21630-3of3.dgn 6/24/2013 8:02:45 PM sm970re



PARTIAL PLAN VIEW

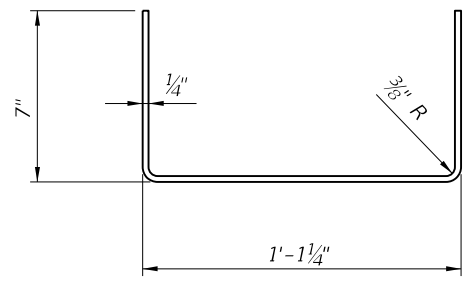


PARTIAL ELEVATION VIEW




END VIEW

Note:  
Use Shim Plates as required to provide equal bearing seat elevations across the bent. Vary thickness of Shim Plate across the pile cap plate to provide a level bearing area in the transverse direction.



EXPANSION BEARING KEEPER BAR DETAIL

ABUTMENT AND INTERMEDIATE EXPANSION BEARING DETAILS

LAST REVISION	REVISION	DESCRIPTION:	 <b>FDOT 2014</b> <b>DESIGN STANDARDS</b>	<b>TEMPORARY DETOUR BRIDGE DETAILS</b> <b>STEEL PIPE PILE FOUNDATIONS</b>	INDEX NO. <b>21630</b>	SHEET NO. <b>3 of 3</b>
07/01/06						