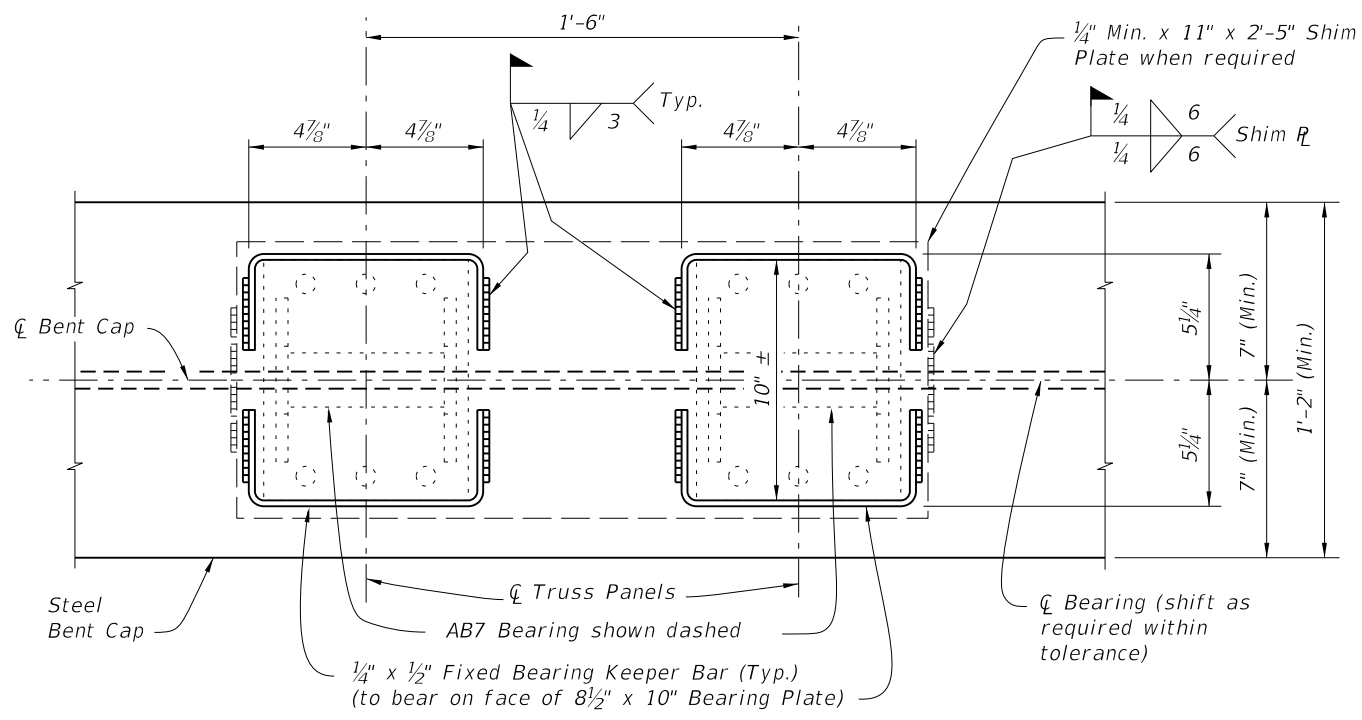
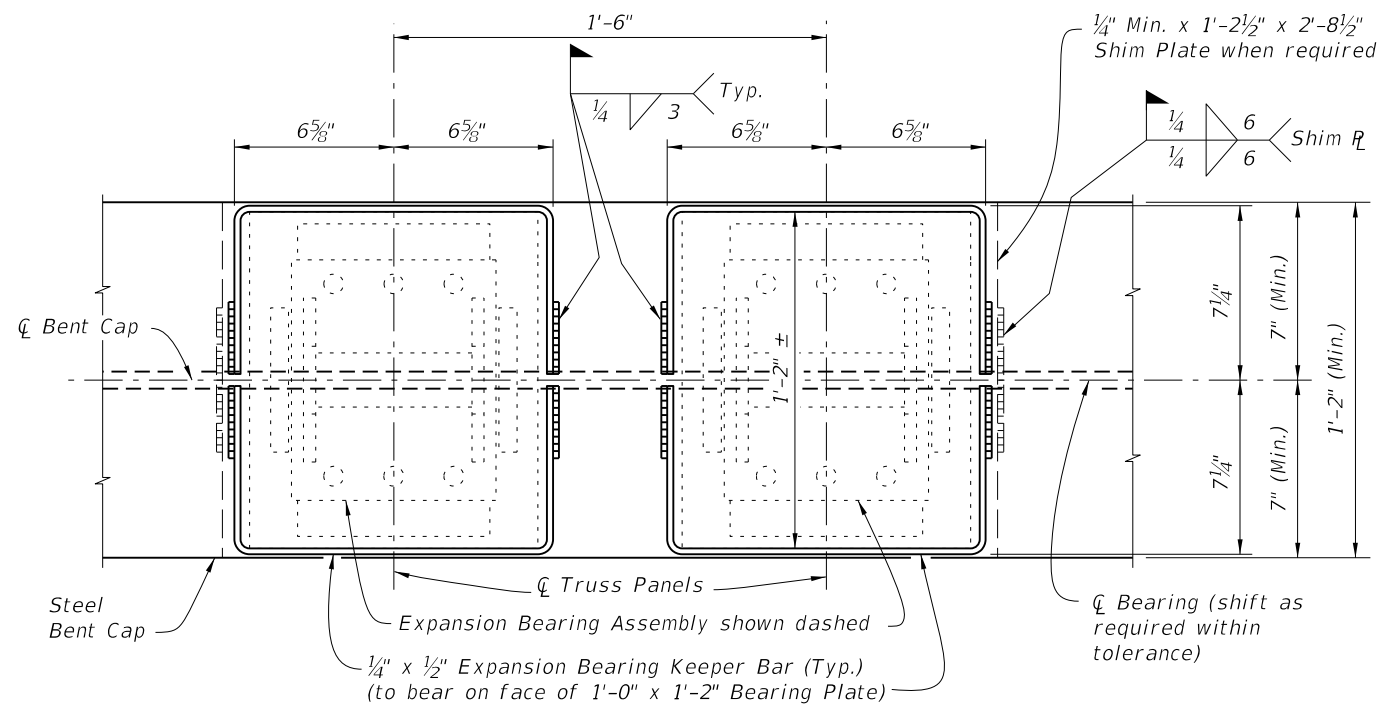


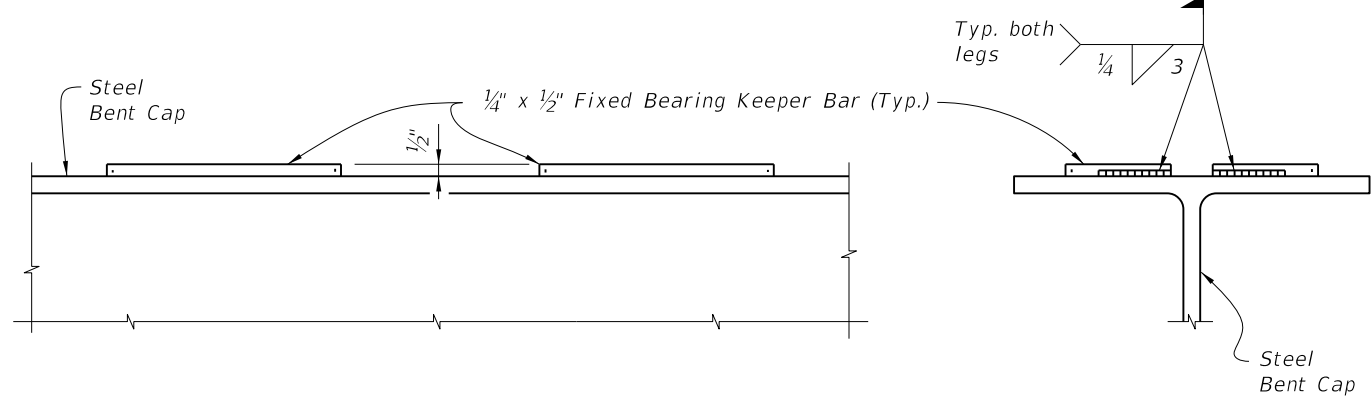
6/24/2013 8:02:22 PM sm970re C:\projects\standards\structures\current\ready\4release\2014B00K\21620-1of2.dgn



PARTIAL PLAN VIEW

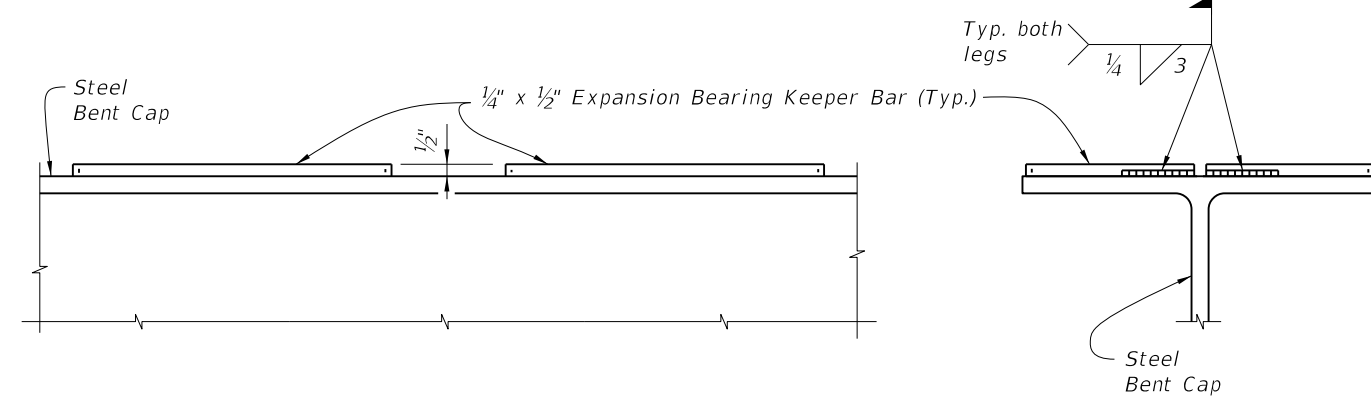


PARTIAL PLAN VIEW



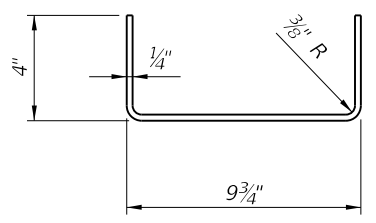
PARTIAL ELEVATION VIEW

END VIEW



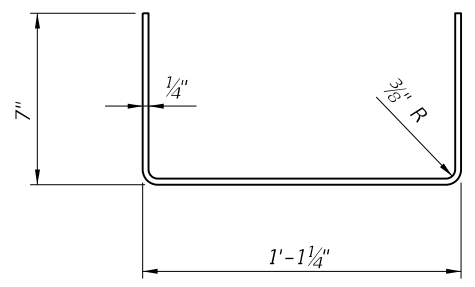
PARTIAL ELEVATION VIEW

END VIEW




FIXED BEARING KEEPER BAR DETAIL

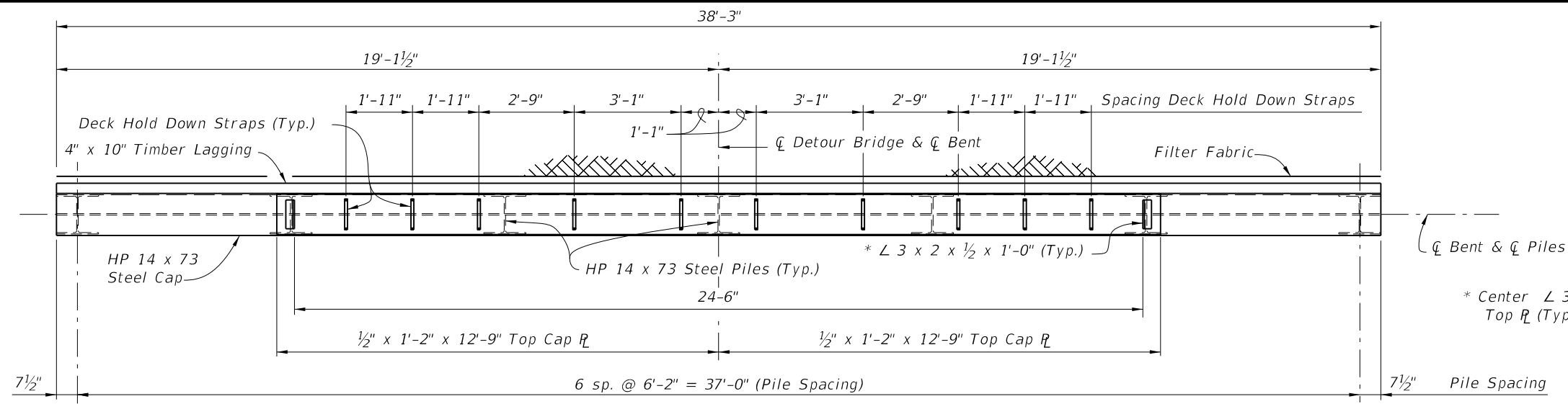
==== FIXED BEARING DETAILS ====



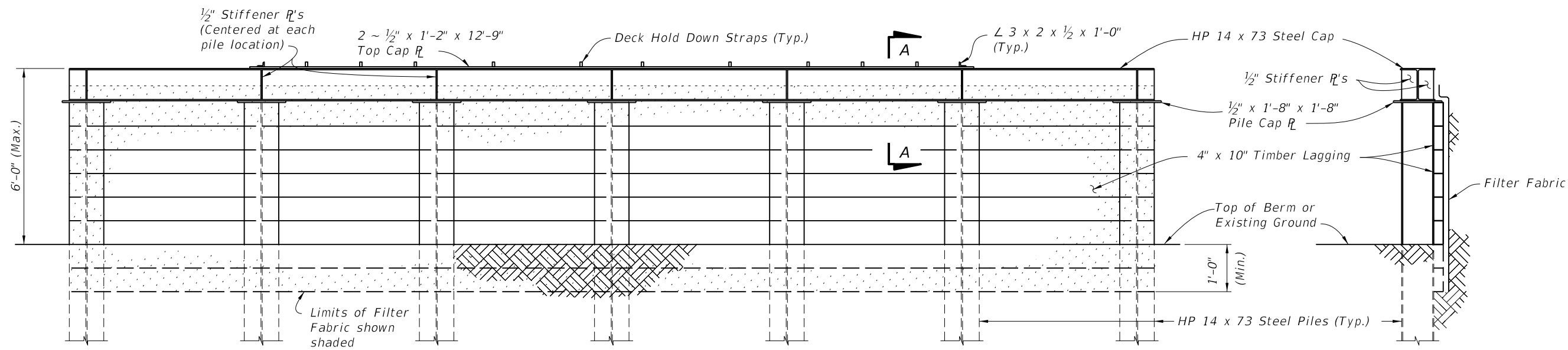
EXPANSION BEARING KEEPER BAR DETAIL

==== EXPANSION BEARING DETAILS ====

LAST REVISION	REVISION	DESCRIPTION:	 FDOT 2014 DESIGN STANDARDS	TEMPORARY DETOUR BRIDGE DETAILS STEEL H PILE FOUNDATIONS	INDEX NO.	SHEET NO.
07/01/13					21620	1 of 2

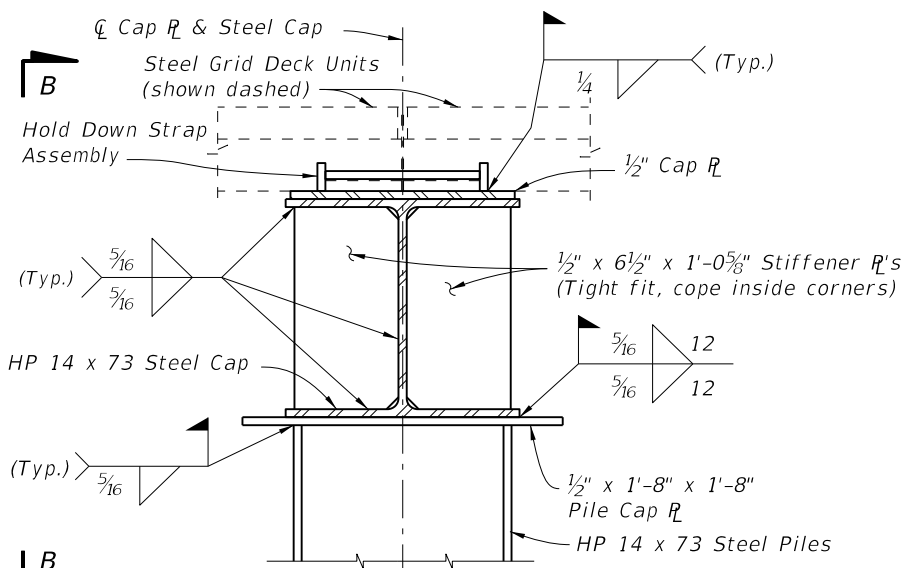


PLAN VIEW

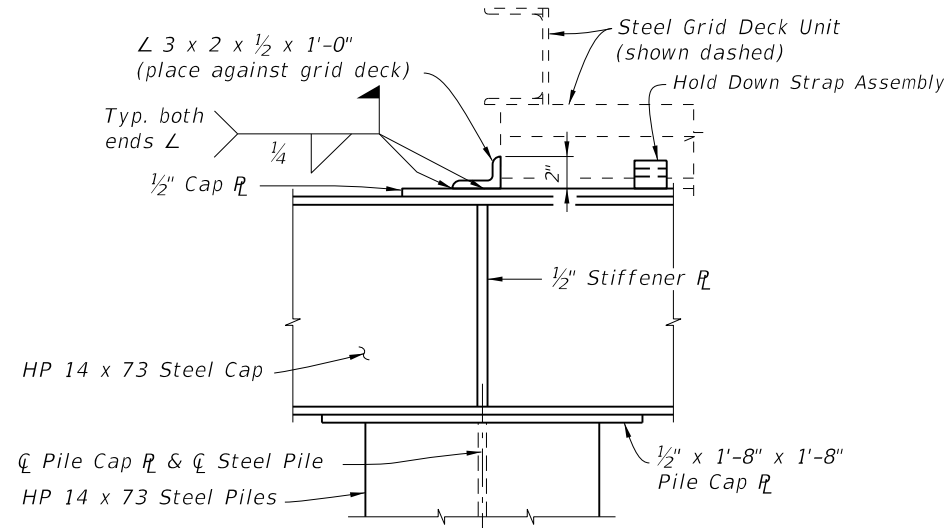


ELEVATION VIEW

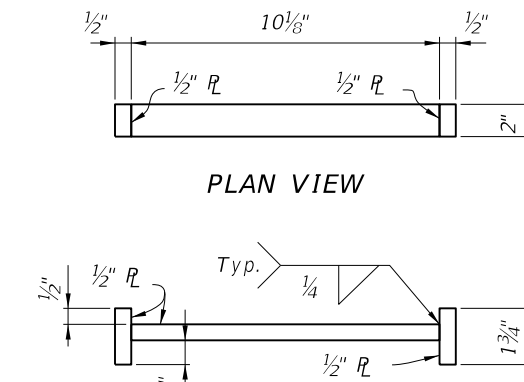
END VIEW



SECTION A-A (LAGGING NOT SHOWN FOR CLARITY)




VIEW B-B



HOLD DOWN STRAP ASSEMBLY DETAIL

BACKWALL BENT DETAILS

C:\projects\standards\structures\current\ready\4release\2014B00K\21620-2of2.dgn sm970re 8:02:24 PM 6/24/2013

LAST REVISION 07/01/06	REVISION	DESCRIPTION:	 FDOT 2014 DESIGN STANDARDS	TEMPORARY DETOUR BRIDGE DETAILS STEEL H PILE FOUNDATIONS	INDEX NO. 21620	SHEET NO. 2 of 2
---------------------------	----------	--------------	---	---	--------------------	---------------------