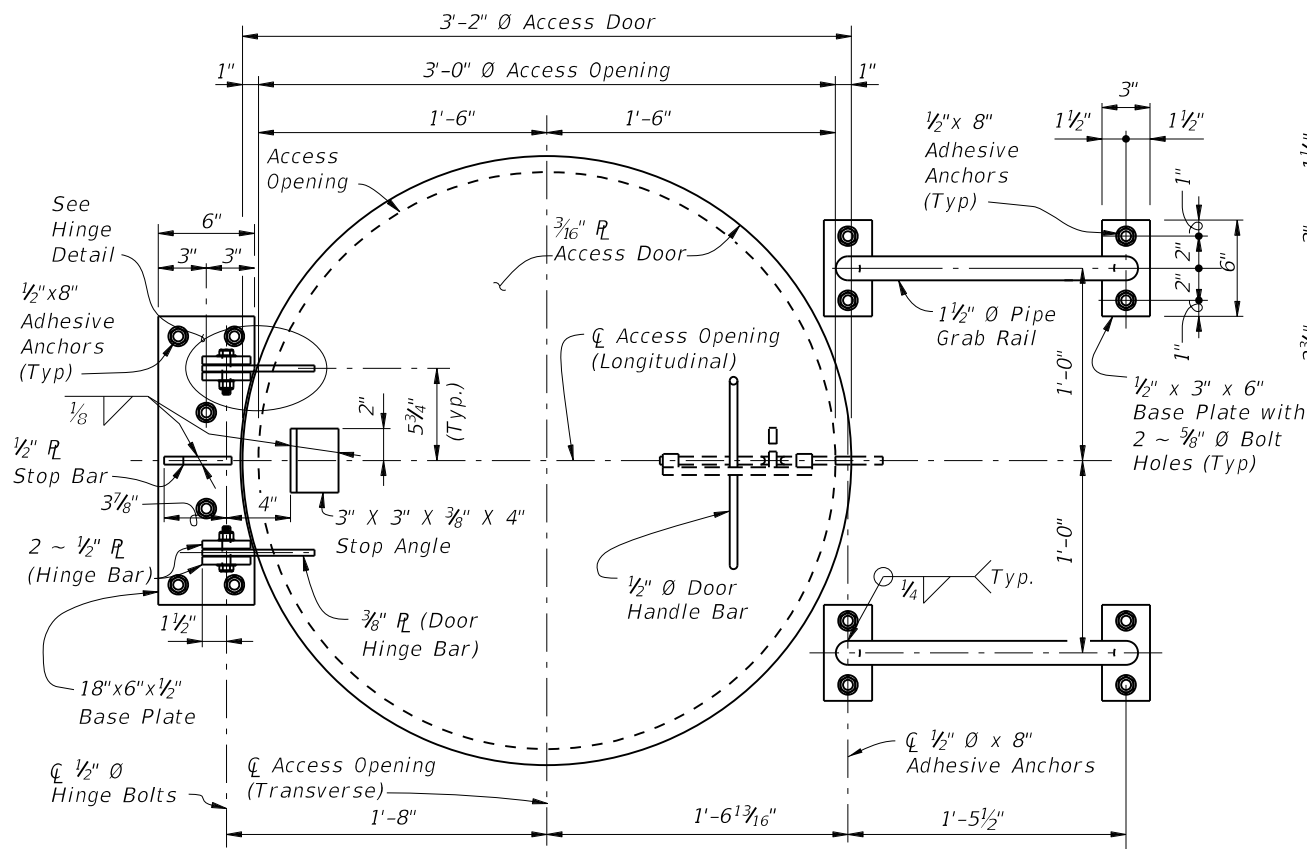
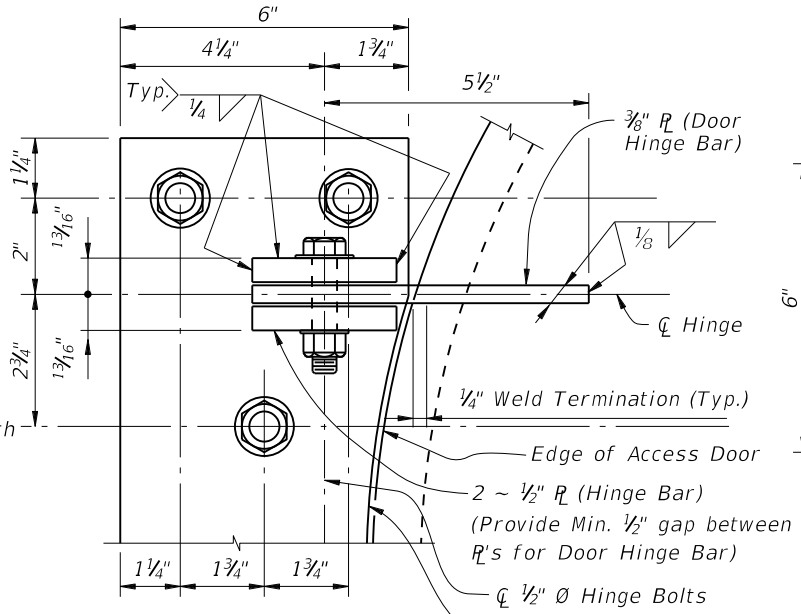


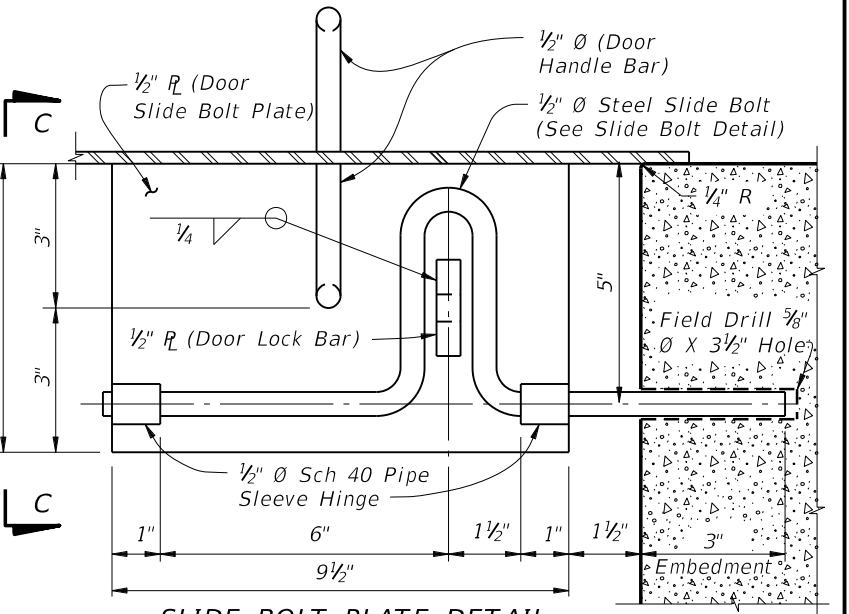
C:\projects\standards\structures\current\release\2014\BOK\21251-1of1.dgn
 8:00:48 PM
 sm970re
 6/24/2013



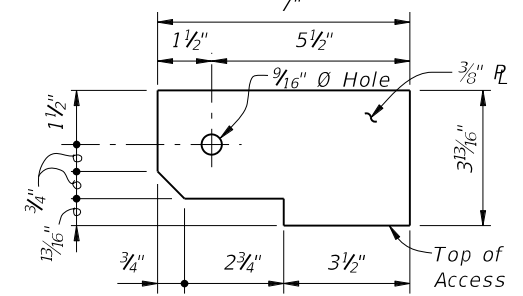
PLAN VIEW OF ACCESS HATCH ASSEMBLY



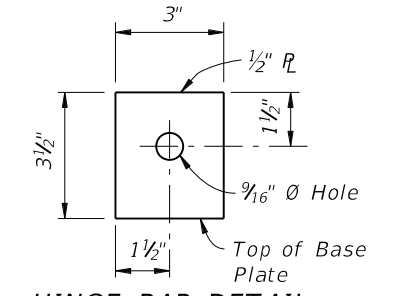
HINGE DETAIL



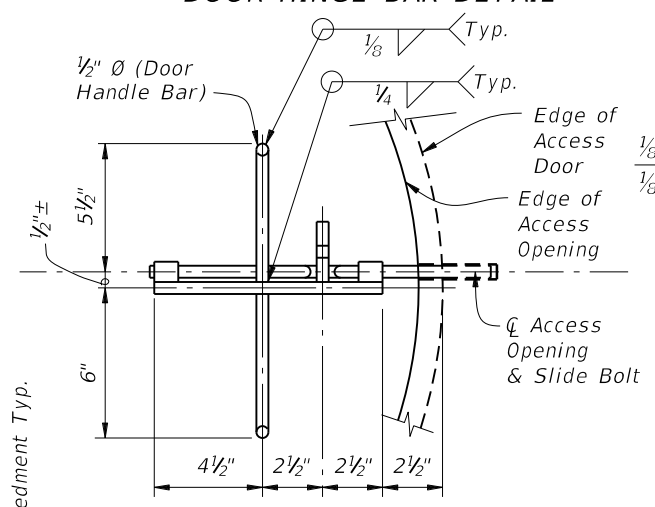
SLIDE BOLT PLATE DETAIL



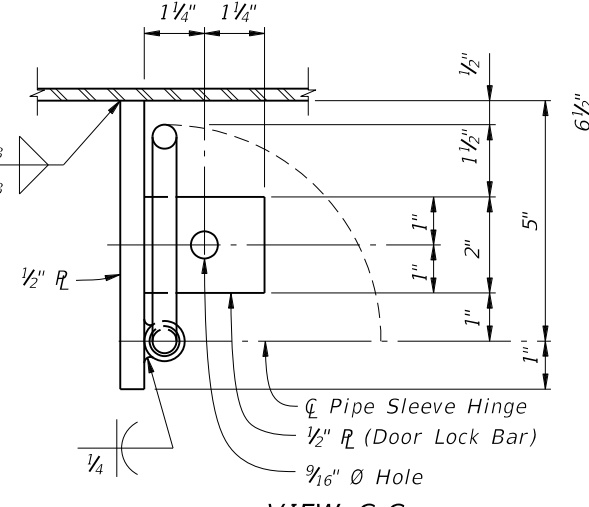
DOOR HINGE BAR DETAIL



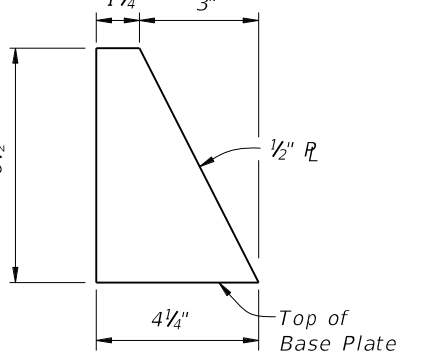
HINGE BAR DETAIL



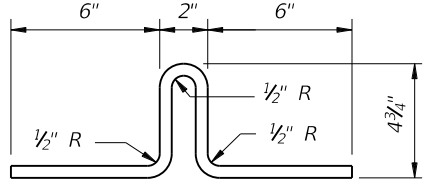
BOTTOM VIEW B-B



VIEW C-C

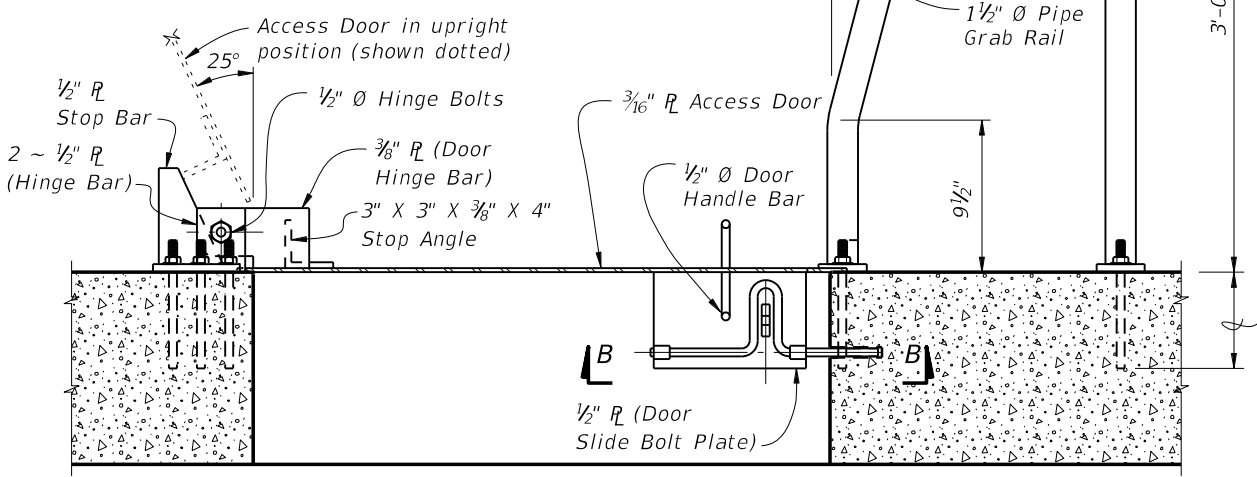


STOP BAR DETAIL




SLIDE BOLT DETAIL

HINGE NOTE:
 1. Orient the Access Door so that the hinges are located down-grade.



SECTION THRU ACCESS OPENING

- NOTES:
- All Structural Steel material in Access Door Assemblies shall conform to ASTM A709 Grade 36.
 - 1 1/2" \varnothing Pipe Grab Rail shall be in accordance with ASTM A53 Grade B for standard weight pipe (Schedule 40).
 - 1/2" \varnothing Door Handle Bar shall be in accordance with ASTM A36.
 - All bolts shall conform to ASTM A307 or A449. All nuts shall conform to ASTM A563 and all washers shall conform to ASTM F-436.
 - All exposed edges of plates and openings shall be ground smooth.
 - See Framing Plan sheets for locations of Access Door Openings.
 - Coat structural steel in accordance with Specification Section 560.
 - All costs associated with Access Hatch Assembly and incidental items will be paid for under the Access Hatch Assembly pay item. No separate payment will be made for coating structural steel.

LAST REVISION	REVISION	DESCRIPTION:	 FDOT 2014 DESIGN STANDARDS	ACCESS HATCH ASSEMBLY FOR CONCRETE BOX SECTIONS	INDEX NO.	SHEET NO.
01/01/11					21251	1 of 1