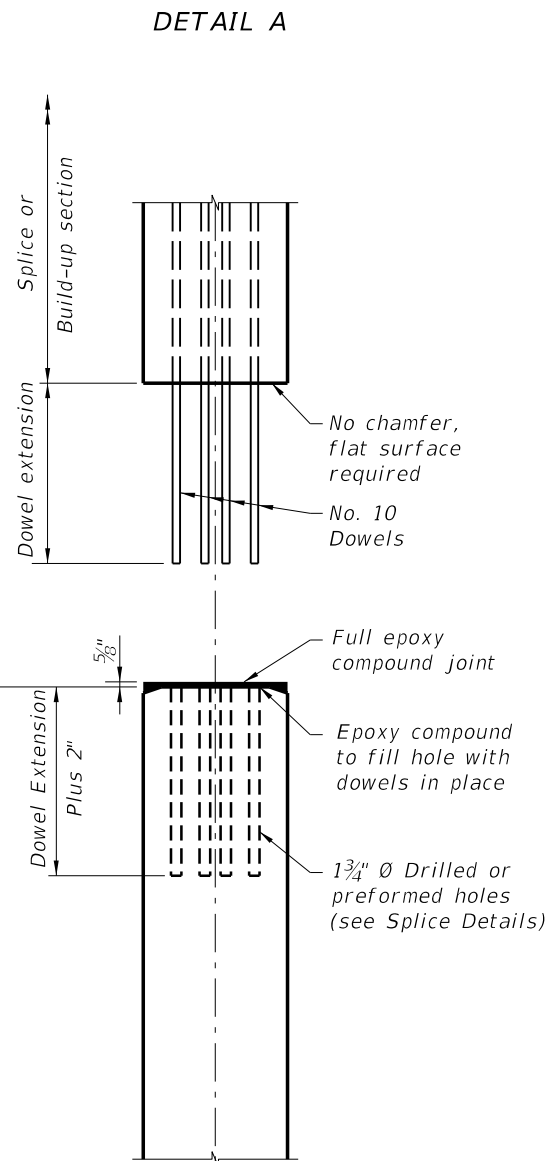
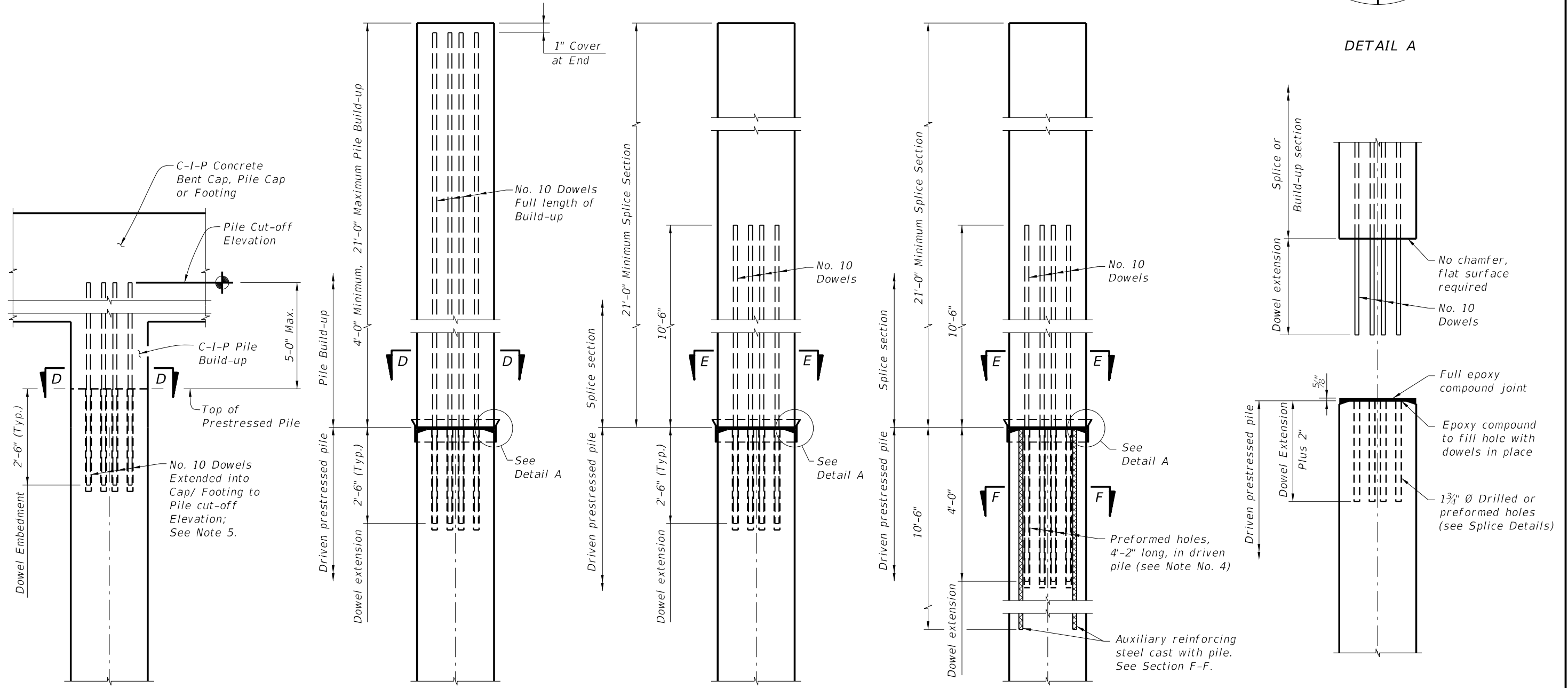
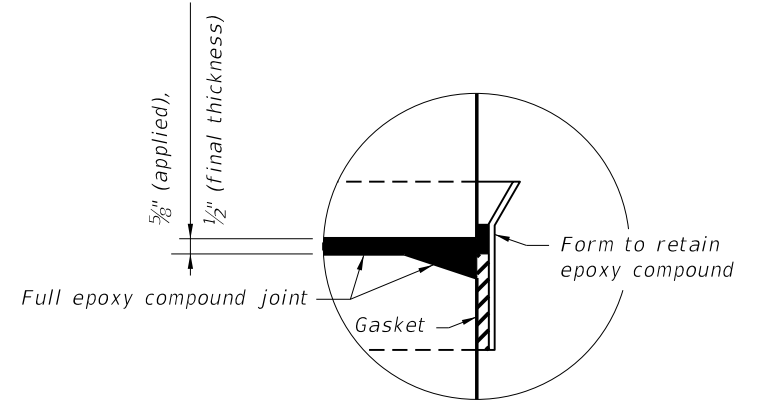


NOTES:

1. For Sections D-D, E-E, & F-F see Index Nos. 20612, 20614, 20618, 20620, 20624 or 20630 for applicable concrete pile size and Pile Splice Reinforcement Details.
2. Prestressing strands, spiral ties and/or reinforcement are not shown for clarity.
3. In cases where pile splices are desired due to length limitations in shipping and/or handling, the "Drivable Preplanned Prestressed Precast Splice Detail" shall be used. Mechanical Pile Splices contained on the Qualified Products List (QPL) may also be used.
4. When preformed dowel holes are utilized, the 1" spiral tie pitch shall be continued to 4'-0" below the head of the pile. See Index Nos. 20618, 20620 & 20624. Preformed holes shall utilize either removable preforming material or stay-in-place corrugated galvanized steel ducts. Stay-in-place ducts shall be fabricated from galvanized sheet steel meeting the requirements of ASTM A653, Coating Designation G90, 26 gauge. Ducts shall be 2" diameter with a minimum corrugation (rib) height of 0.12 in. Ducts shall be fabricated with either welded or interlocked seams. Galvanizing of welded seams will not be required.
5. For tension piles where top of Prestressed Pile is less than 3 feet below Pile Cut-off Elevation, extend No. 10 Dowels into cap beyond Pile Cut-off Elevation to achieve development as approved by the Engineer.



UNFORESEEN REINFORCED C-I-P PILE BUILD-UP DETAIL


NONDRIVABLE UNFORESEEN REINFORCED PRECAST PILE BUILD-UP DETAIL

DRIVABLE UNFORESEEN PRESTRESSED PRECAST PILE SPLICE DETAIL

DRIVABLE PREPLANNED PRESTRESSED PRECAST PILE SPLICE DETAIL

TYPICAL SPLICE BEFORE BONDING

6/24/2013 7:54:06 PM sm970re C:\projects\standards\structures\current\ready\4release\2014BOOK\20601-1of1.dgn

LAST REVISION 07/01/13	REVISION	DESCRIPTION:	 FDOT 2014 DESIGN STANDARDS	SQUARE PRESTRESSED CONCRETE PILE SPLICES	INDEX NO. 20601	SHEET NO. 1 of 1
---------------------------	----------	--------------	--	---	---------------------------	----------------------------