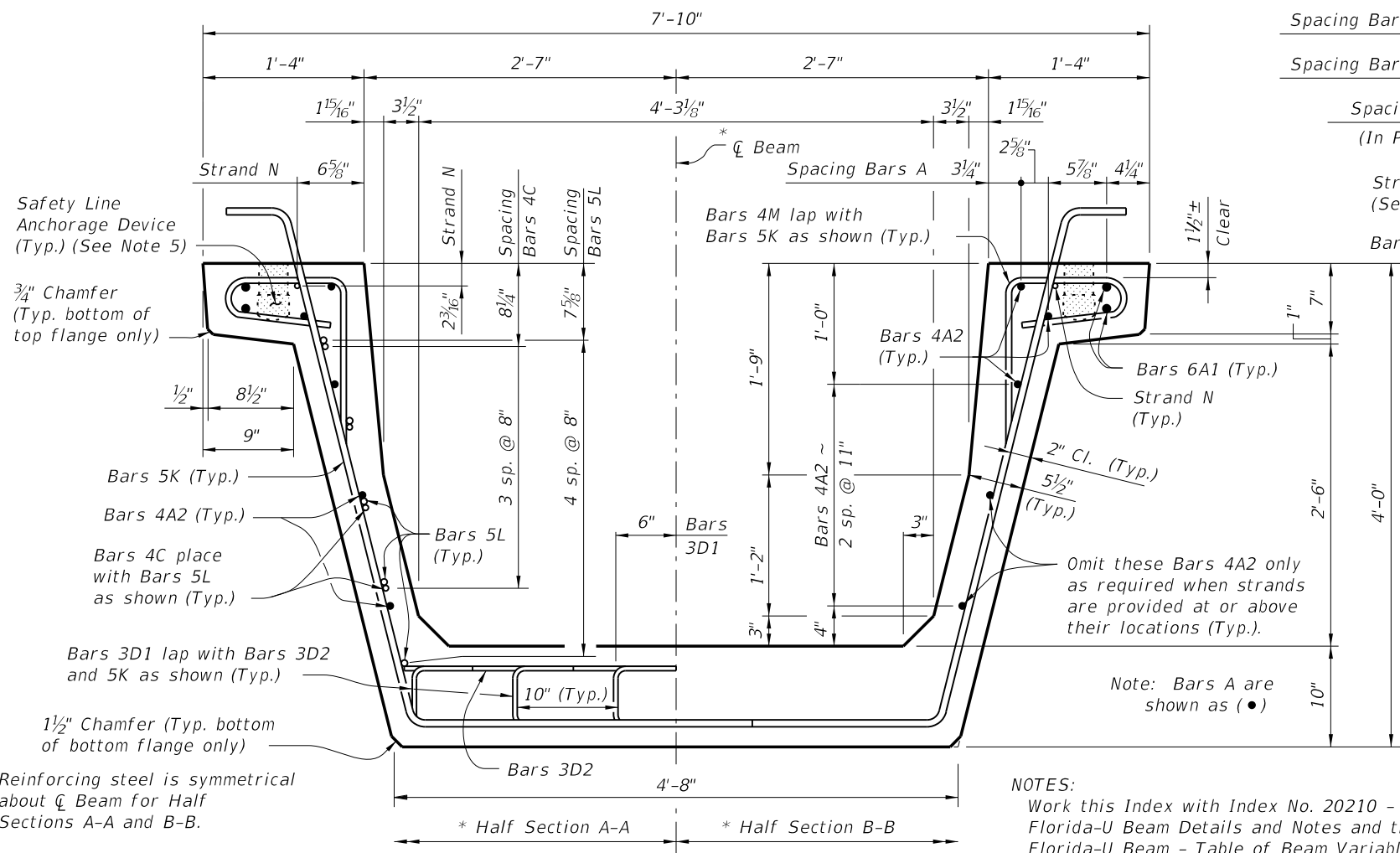


C:\projects\standards\structures\current\ready\4release\2014B00K\20248-1 of 3.dgn
smg70re
7:49:36 PM
6/24/2013

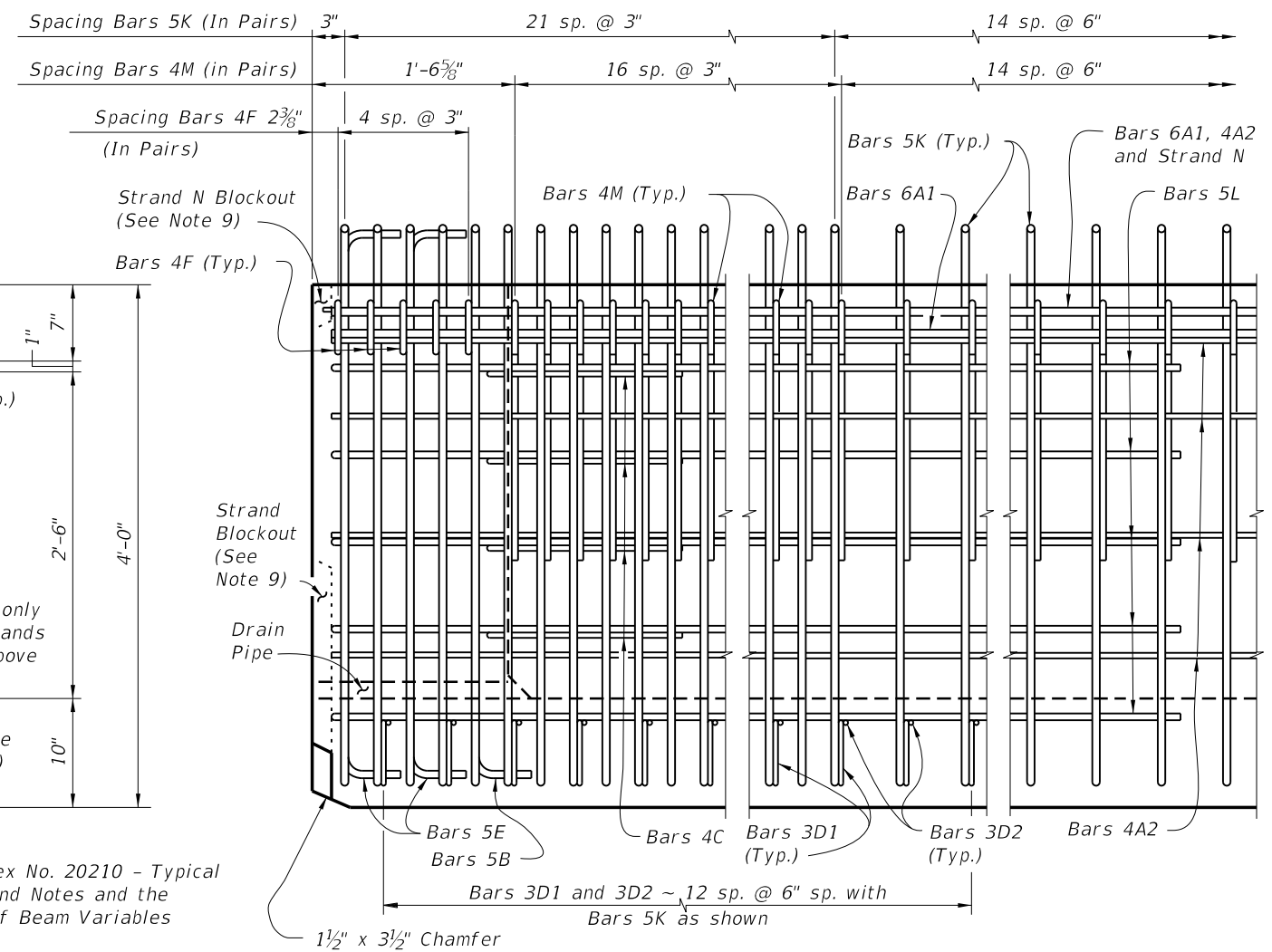


* Reinforcing steel is symmetrical about \bar{C} Beam for Half Sections A-A and B-B.

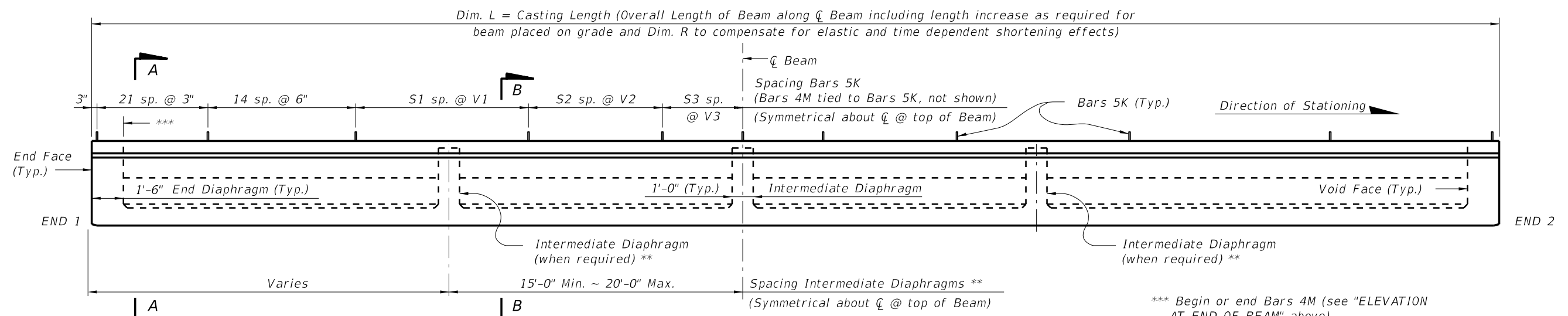
** Intermediate Diaphragms shall be provided:
(1) - At midspan.
(2) - At 20'-0" Max. from midspan when beam length (L) exceeds 60 Ft.

TYPICAL SECTION

NOTES:
Work this Index with Index No. 20210 - Typical Florida-U Beam Details and Notes and the Florida-U Beam - Table of Beam Variables in Structures Plans.
For referenced notes see Index No. 20210.




ELEVATION AT END OF BEAM

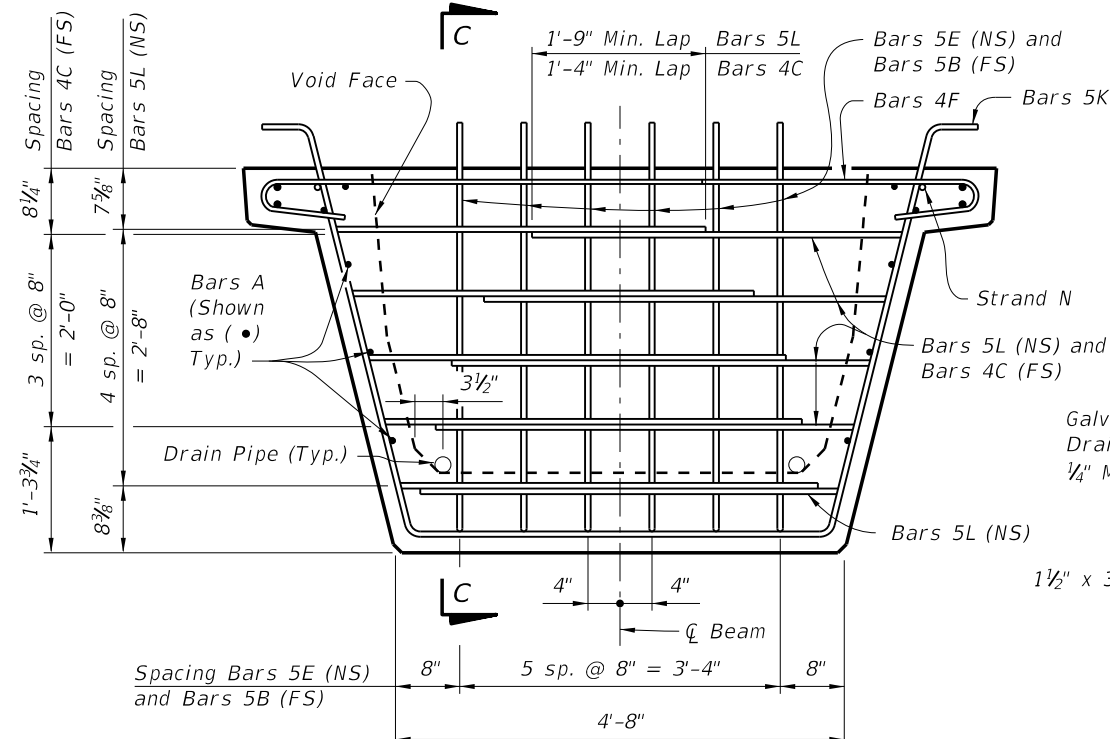


ELEVATION

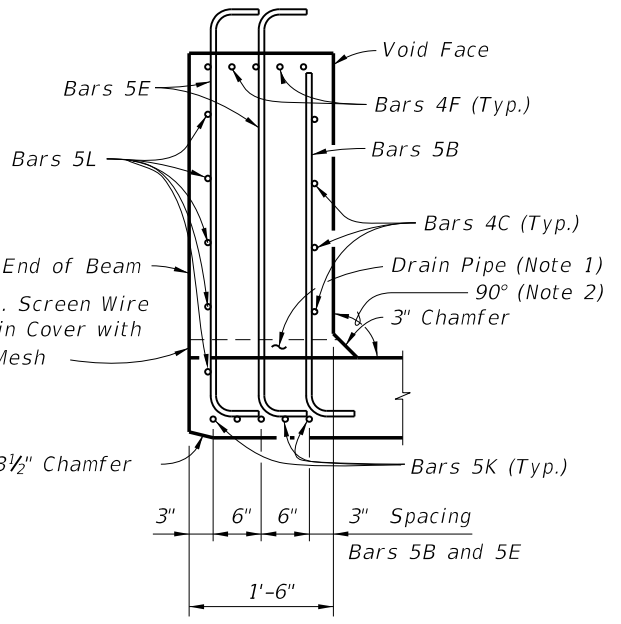
*** Begin or end Bars 4M (see "ELEVATION AT END OF BEAM" above)

| | | | | | | |
|---------------------------|----------|--------------|---|---|---------------------------|----------------------------|
| LAST REVISION 07/01/12 | REVISION | DESCRIPTION: |  FDOT 2014 DESIGN STANDARDS | FLORIDA-U 48 BEAM - STANDARD DETAILS | INDEX NO. 20248 | SHEET NO. 1 of 3 |
|---------------------------|----------|--------------|---|---|---------------------------|----------------------------|

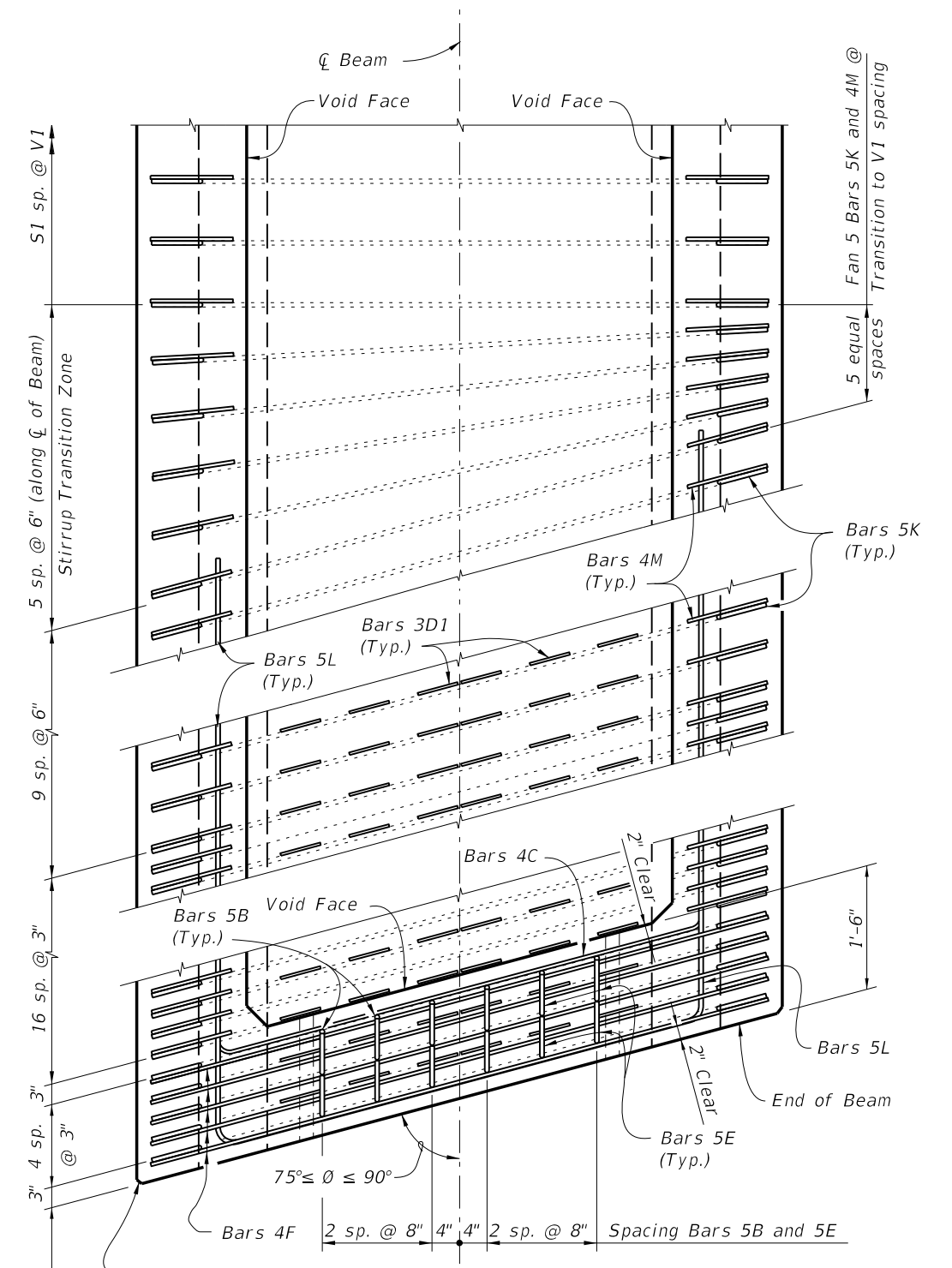
C:\projects\standards\structures\current\ready\4release\2014\B00K\20248-2of3.dgn
 sm970re
 7:49:39 PM
 6/24/2013



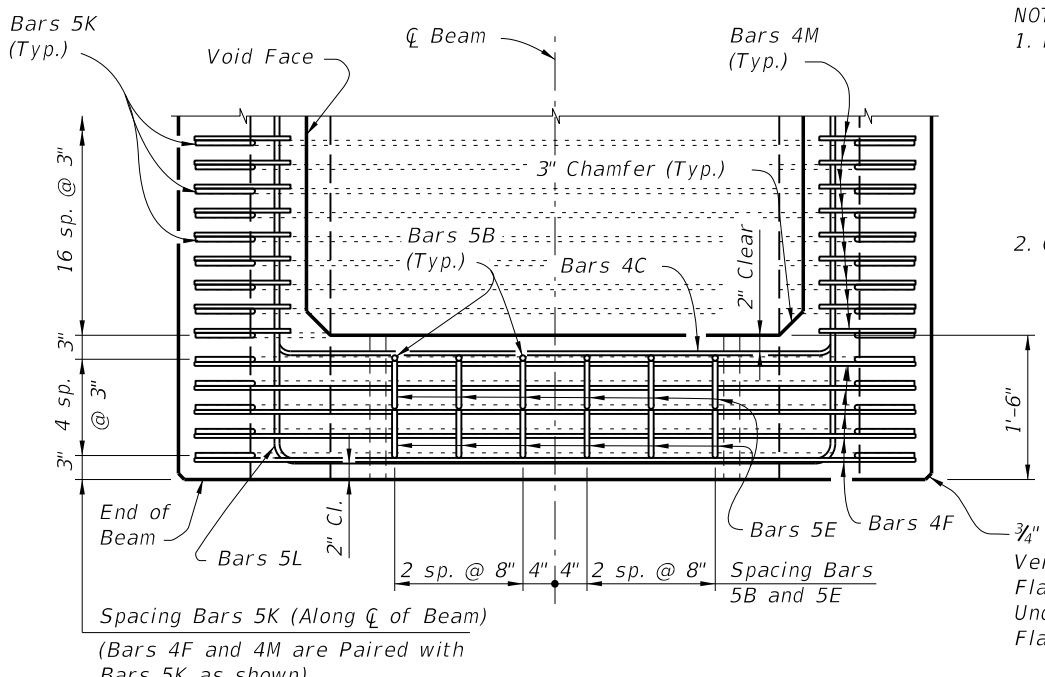
END VIEW AT END DIAPHRAGM



SECTION C-C




TOP VIEW OF SKEWED END DIAPHRAGM AND STIRRUP TRANSITION ZONE (Bars 3D2 Not Shown For Clarity)



TOP VIEW OF END DIAPHRAGM (Bars 3D1 And 3D2 Not Shown For Clarity)

- NOTES:
1. Drains shall be placed adjacent to each web at each beam end (four drains per beam). Drain Pipe shall be 2" Nominal Pipe Size, Schedule 80 PVC. Provide removable pipe plugs to prevent concrete entrance during beam casting. Plugs to be removed from the inside after casting. Galvanized screen wire shall cover the end of the pipe and bent down around the sides of the pipe, a minimum of 1" and secured prior to casting.
 2. Concrete face may be sloped with a maximum 1:24 draft to facilitate formwork removal.

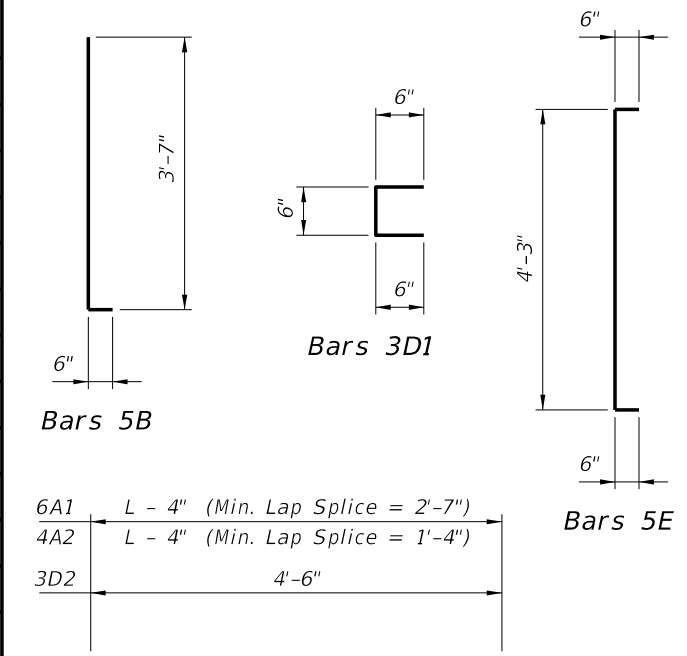
Spacing Bars 5K (Along C of Beam) (Bars 4F and 4M are Paired with Bars 5K as shown)

| | | | | | | |
|---------------|----------|--------------|--|---|---------------------------|----------------------------|
| LAST REVISION | 07/01/05 | DESCRIPTION: |  FDOT 2014 DESIGN STANDARDS | FLORIDA-U 48 BEAM - STANDARD DETAILS | INDEX NO. 20248 | SHEET NO. 2 of 3 |
|---------------|----------|--------------|--|---|---------------------------|----------------------------|

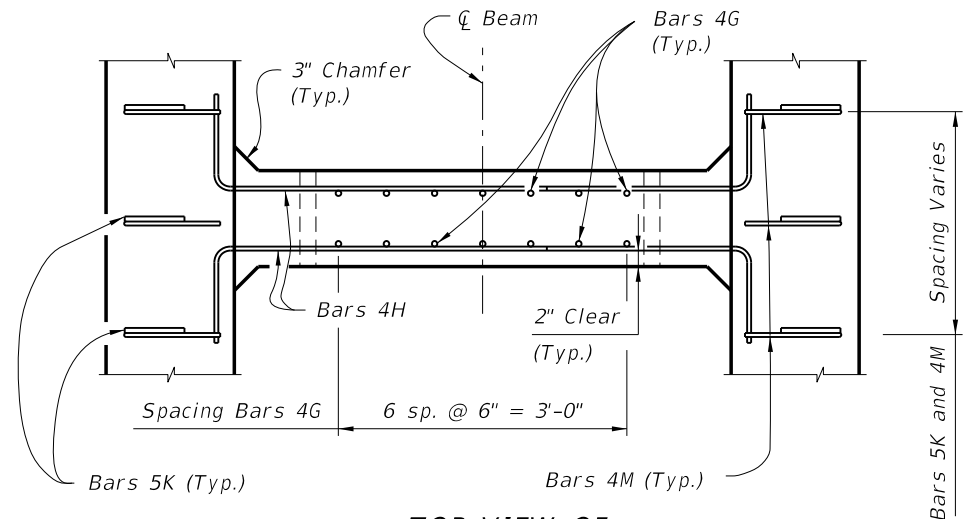
CONVENTIONAL REINFORCING STEEL BENDING DIAGRAMS

BILL OF REINFORCING STEEL FOR ONE BEAM ONLY

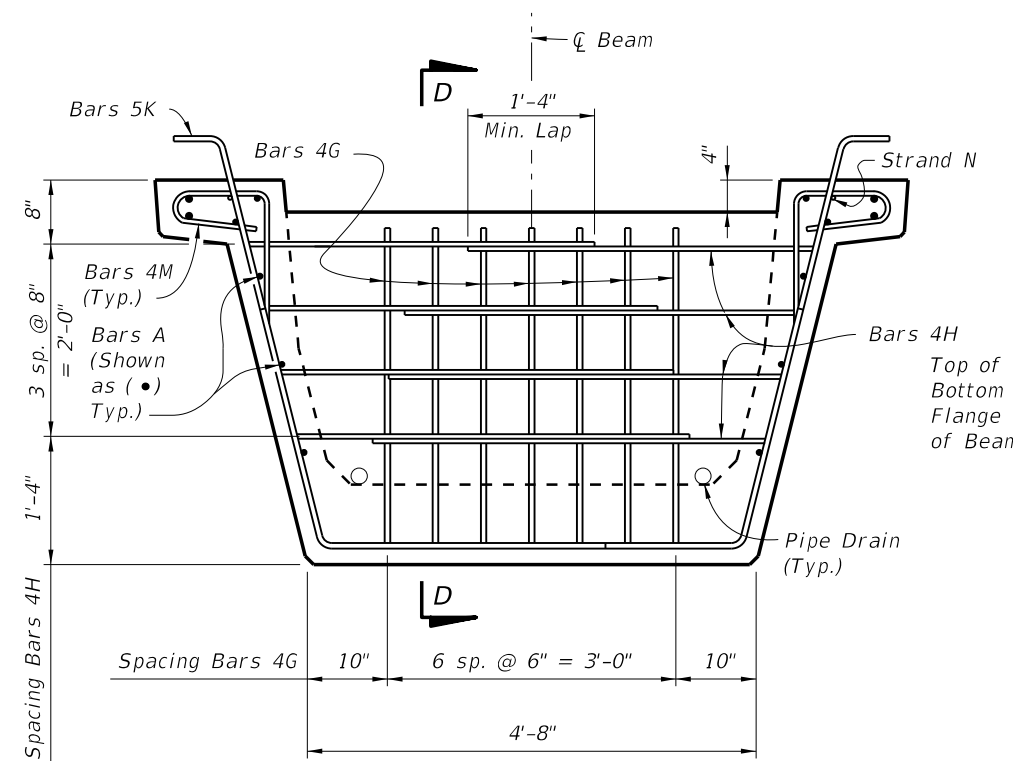
| MARK | SIZE | NO. REQD. | LENGTH |
|------|---------------|-----------|-------------|
| A1 | 6 | 4 | Dim. L - 4" |
| A2 | 4 | 10 | Dim. L - 4" |
| B | 5 | 12 | 4'-1" |
| C | 4 | 16 | 5'-1" |
| D1 | 3 | 156 | 1'-6" |
| D2 | 3 | 26 | 4'-6" |
| E | 5 | 24 | 5'-3" |
| F | 4 | 20 | 6'-2" |
| G | 4 | See Table | 4'-0" |
| H | 4 | See Table | 4'-7" |
| K | 5 | See Table | 8'-0" |
| L | 5 | 20 | 14'-0" |
| M | 4 | See Table | 3'-11" |
| N | 3/8" Ø Strand | 2 | Dim. L - 3" |



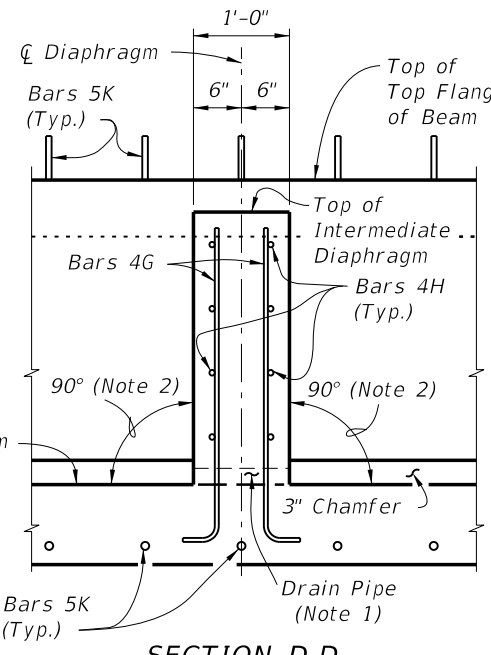
Bars 6A1, 4A2 and 3D2



TOP VIEW OF INTERMEDIATE DIAPHRAGM



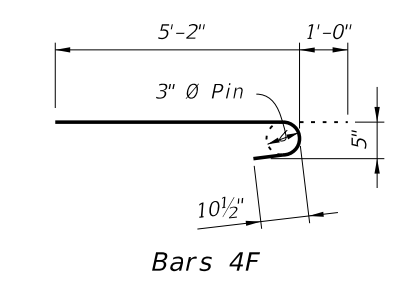
SECTION AT INTERMEDIATE DIAPHRAGM



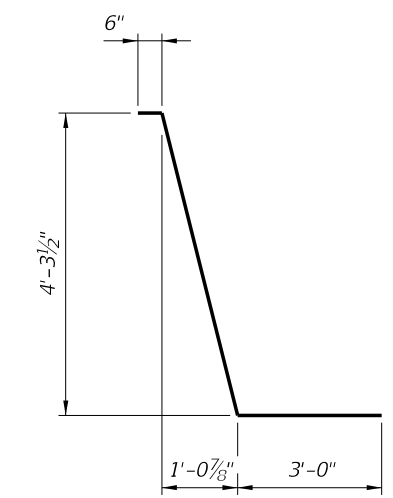
SECTION D-D

NOTES:

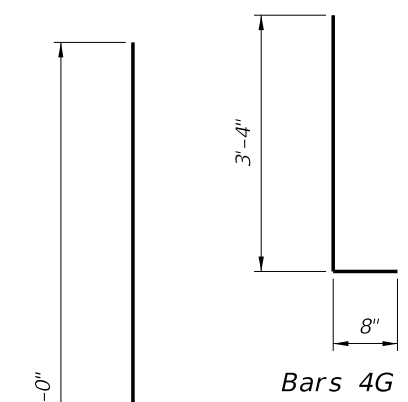
1. Drains shall be placed adjacent to each web at each intermediate diaphragm (two drains per intermediate diaphragm). Drain Pipe shall be 2" Nominal Pipe Size, Schedule 80 PVC. Provide removable pipe plugs to prevent concrete entrance during beam casting. Plugs to be removed from the inside after casting.
2. Concrete face may be sloped with a maximum 1:24 draft to facilitate formwork removal.
3. Intermediate diaphragms must be cast and concrete release strength obtained prior to removing beam from casting bed.



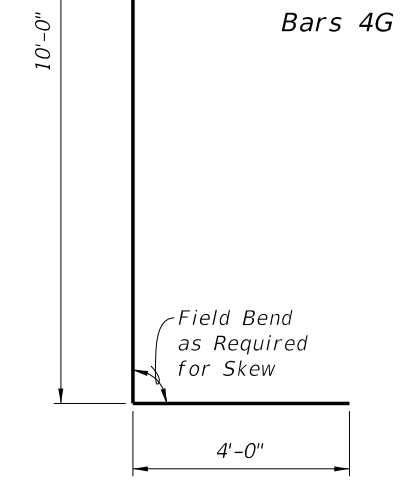
Bars 4F



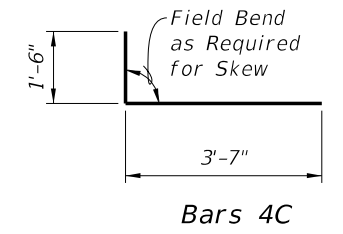
Bars 5K



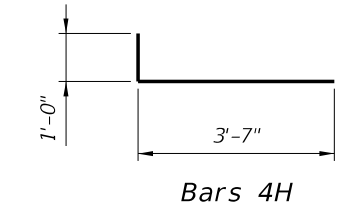
Bars 4G



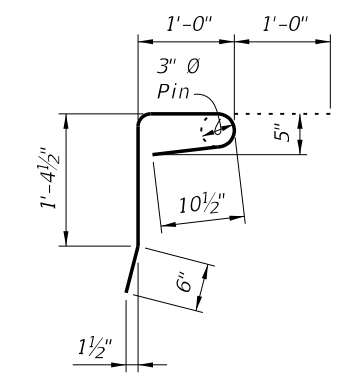
Bars 5L



Bars 4C



Bars 4H



Bars 4M

C:\projects\standards\structures\current\ready\4release\2014\BOOK\20248-3of3.dgn 6/24/2013 7:49:41 PM sm970re