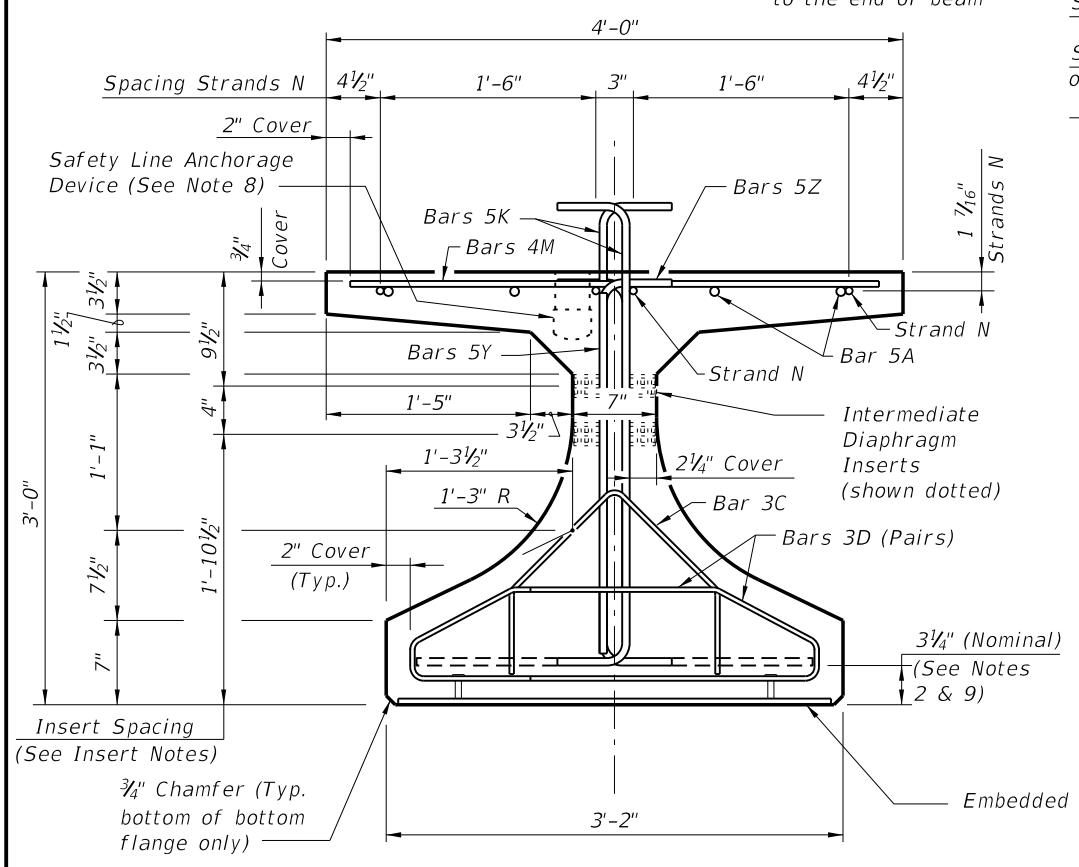
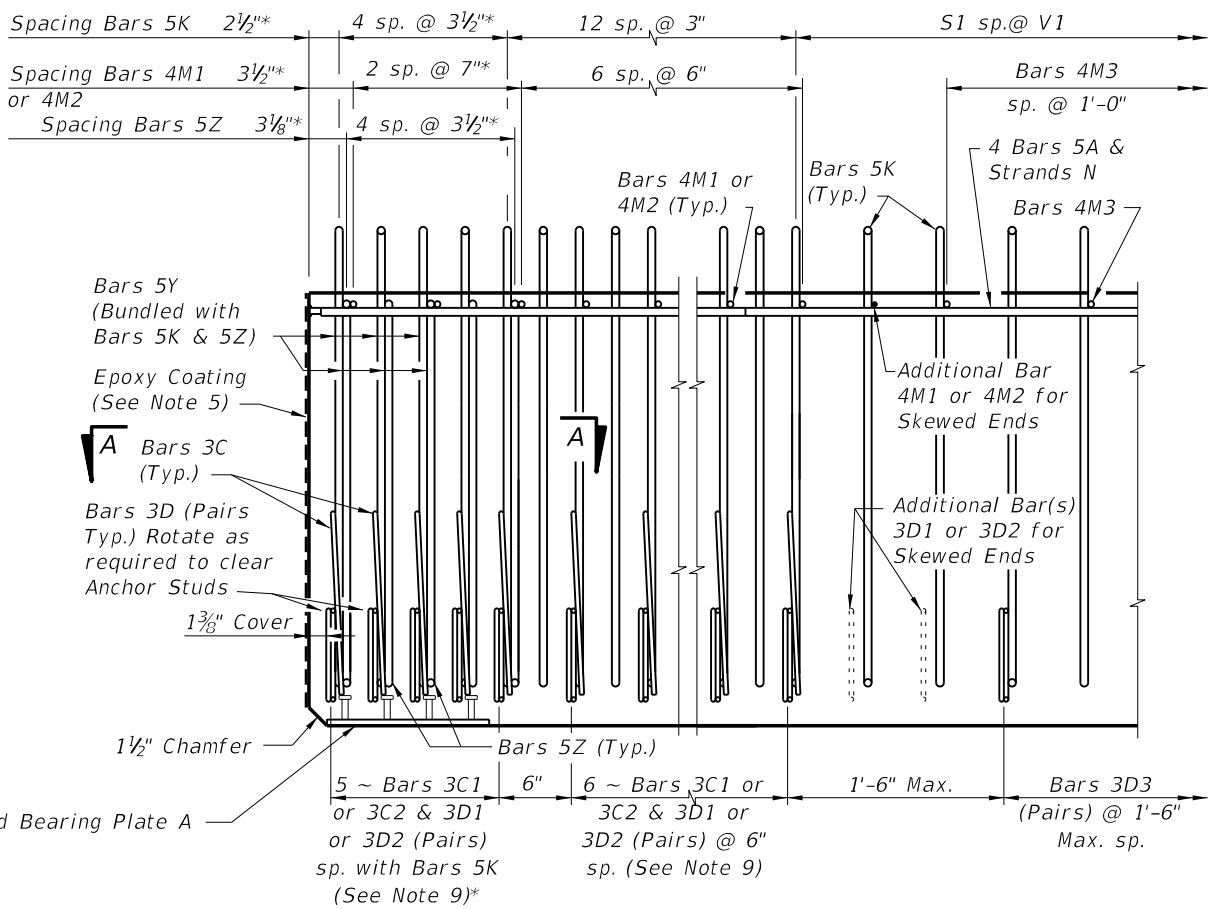


* These dimensions are measured perpendicular to the end of beam



END VIEW



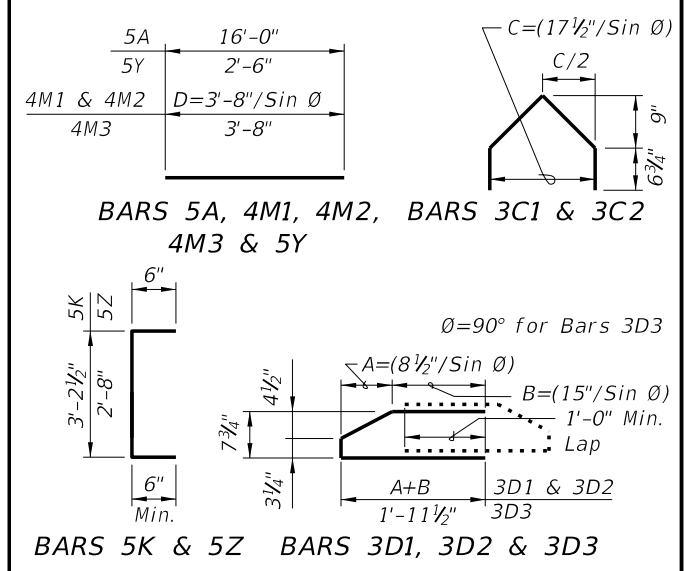
ELEVATION AT END OF BEAM
(Flanges Not Shown For Clarity)
(End 1 Shown, End 2 Similar)

CONVENTIONAL REINFORCING
BAR BENDING DETAILS

BILL OF REINFORCING STEEL

MARK	NOTE NUMBERS	SIZE	NUMBER REQUIRED	LENGTH (NOTE 1)
A	—	5	8	16'-0"
C1	9, 10 & 11	3	11 (End 1)	Varies
C2	9, 10 & 11	3	11 (End 2)	Varies
D1	9, 10, 11 & 14	3	22 (End 1)	Varies
D2	9, 10, 11 & 14	3	22 (End 2)	Varies
D3	9 & 14	3	See Table	4'-3"
K	2, 9, 11 & 13	5	See Table	4'-2"
M1	9 & 10	4	9 (End 1)	Varies
M2	9 & 10	4	9 (End 2)	Varies
M3	9	4	See Table	3'-8"
N	3 & 4	3/8" Ø Strand	4	Dim. L
Y	9 & 11	5	12	2'-6"
Z	2, 9, 11 & 13	5	10	3'-8"

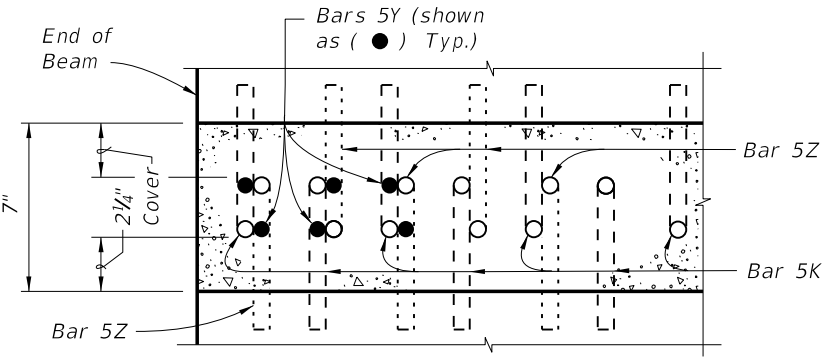
BENDING DIAGRAMS (See Note 1)



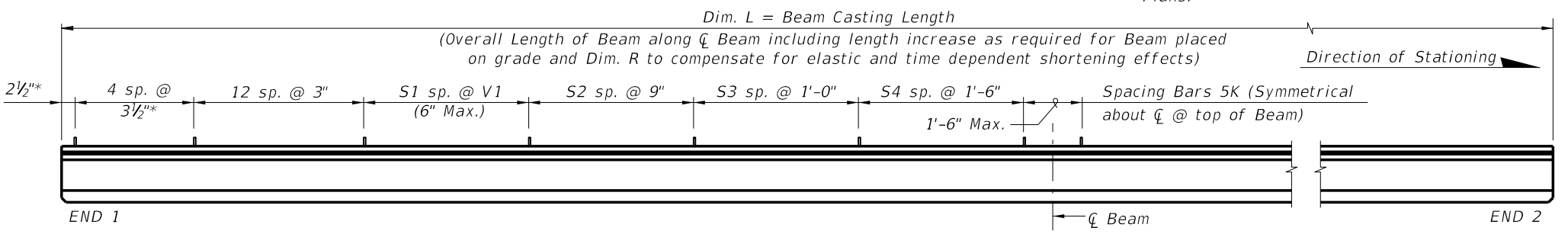
BARS 5A, 4M1, 4M2, BARS 3C1 & 3C2
4M3 & 5Y

BARS 5K & 5Z BARS 3D1, 3D2 & 3D3

- NOTES:
- A. Work this Index with Index No. 20010 - Typical Florida-I Beam Details and Notes and the Florida-I Beam - Table of Beam Variables in Structures Plans.
 - B. For referenced notes, see Index No. 20010.
 - C. For Dimensions A, B, C, D, L, R & V1 and number of spaces S1 thru S4, see Florida-I Beam - Table of Beam Variables in Structures Plans.



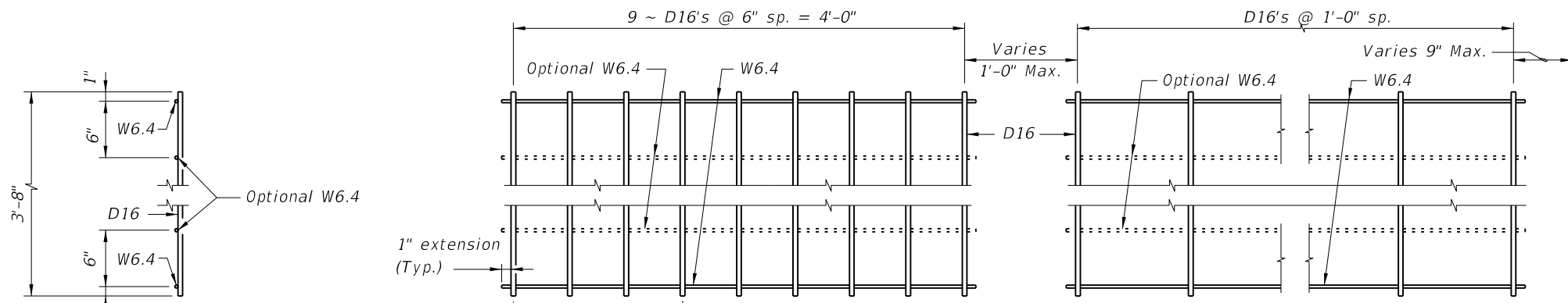
SECTION A-A FOR CONVENTIONAL REINFORCING
(Showing Bars 5K, 5Y & 5Z Only)



ELEVATION

6/24/2013 7:42:44 PM sm970re C:\projects\standards\structures\current\ready\4release\2014B00K\20036-1of2.dgn

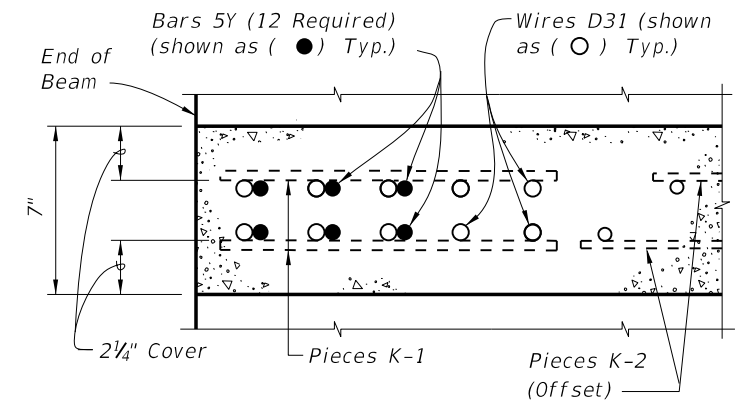
ALTERNATE REINFORCING STEEL (WELDED WIRE REINFORCEMENT) DETAILS



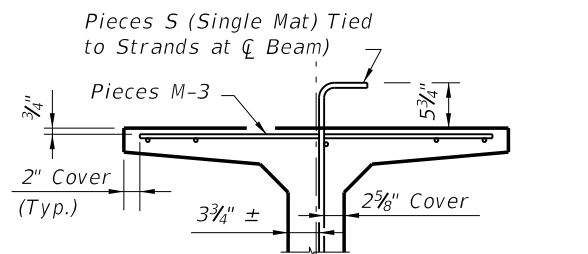
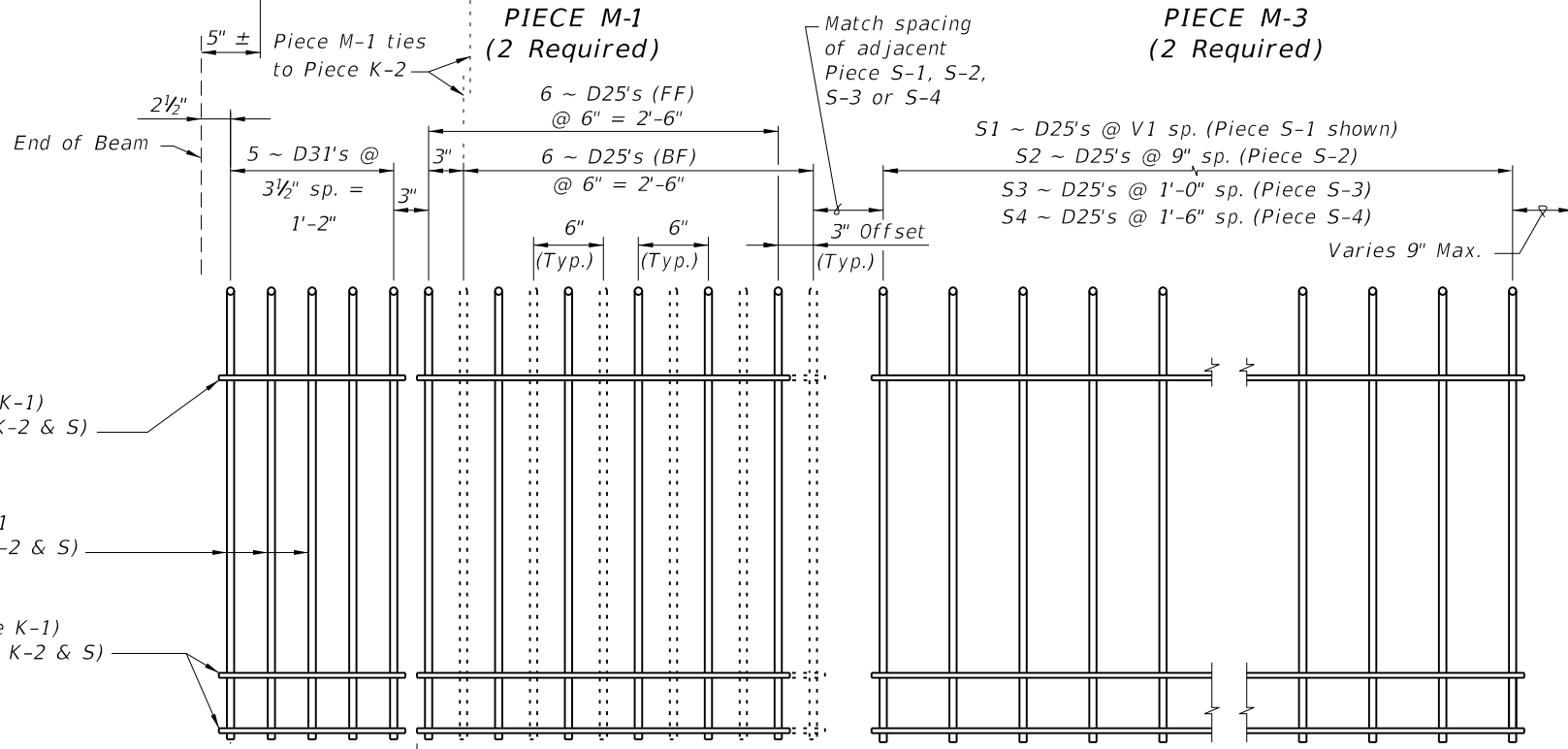
PIECES M END VIEW

PLAN VIEW
PIECE M-1
(2 Required)

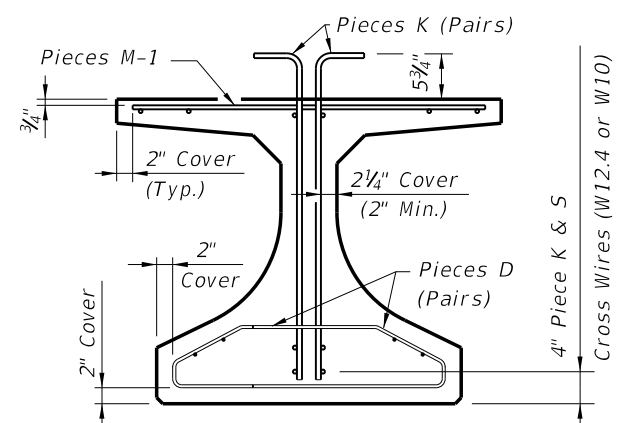
PLAN VIEW
PIECE M-3
(2 Required)



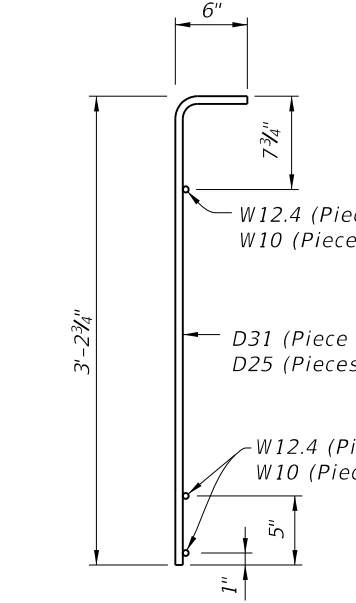
SECTION A-A
FOR WELDED WIRE REINFORCEMENT



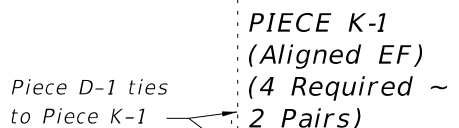
PARTIAL SECTION AT CENTER BEAM



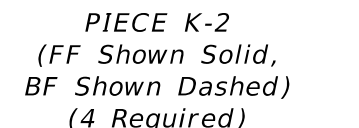
PARTIAL BEAM END VIEW
(Conventional Reinforcing Bars A, C, Y and Strands not Shown for Clarity)



PIECES K & S
END VIEW

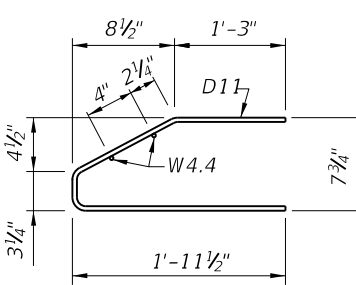


PIECE K-1
(Aligned EF)
(4 Required ~ 2 Pairs)

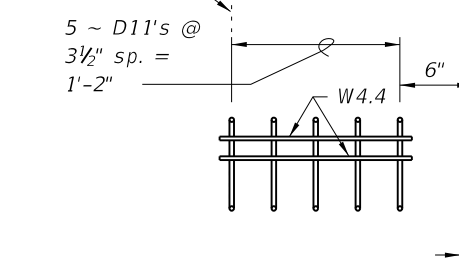


PIECE K-2
(FF Shown Solid,
BF Shown Dashed)
(4 Required)

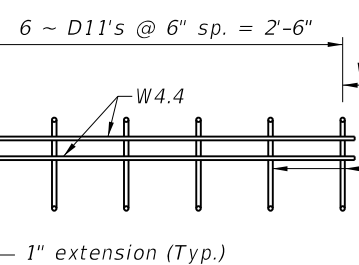
PIECE S-1, S-2, S-3 or S-4
(2 Required Each Piece)



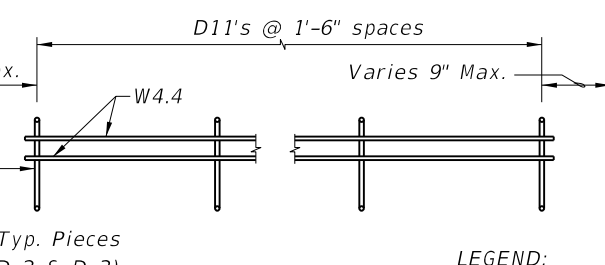
PIECES D
END VIEW



PIECE D-1
(4 Required ~ 2 Pairs)



PIECE D-2
(4 Required ~ 2 Pairs)




PIECE D-3
(4 Required ~ 2 Pairs)

LEGEND:
EF = Each Face
FF = Front Face
BF = Back Face

- NOTES:
- See Sheet 1 for placement details & Table of Beam Variables in Structures Plans for variables S1, S2, S3, S4 & V1.
 - Place Conventional Reinforcement Bars 5A & 3C as shown on Sheet 1. Place additional Bars 5Y as shown in Section A-A for Welded Wire Reinforcement. Bars 5Z will not be used with the WWR Option.
 - Pieces may be fabricated in multiple length sections.
 - For beams with skewed end conditions, Pieces D-1, D-2 & M-1 shall not be used; Conventional Reinforcement Bars D1, D2, C1, C2, M1 & M2 shall be used. See Index No. 20010 Skew Details and Note 9 for placement details. Shift Pieces K & Bars 5Y to accommodate skewed end conditions and align with Bars C and D.

C:\projects\standards\structures\current\ready\4release\2014\B00K\20036-2of2.dgn 6/24/2013 7:42:46 PM sm970re

LAST REVISION 07/01/10	DESCRIPTION:	 <p>FDOT 2014 DESIGN STANDARDS</p>	<p>FLORIDA-I 36 BEAM - STANDARD DETAILS</p>	<p>INDEX NO. 20036</p>	<p>SHEET NO. 2 of 2</p>
---------------------------	--------------	---	---	----------------------------	-----------------------------