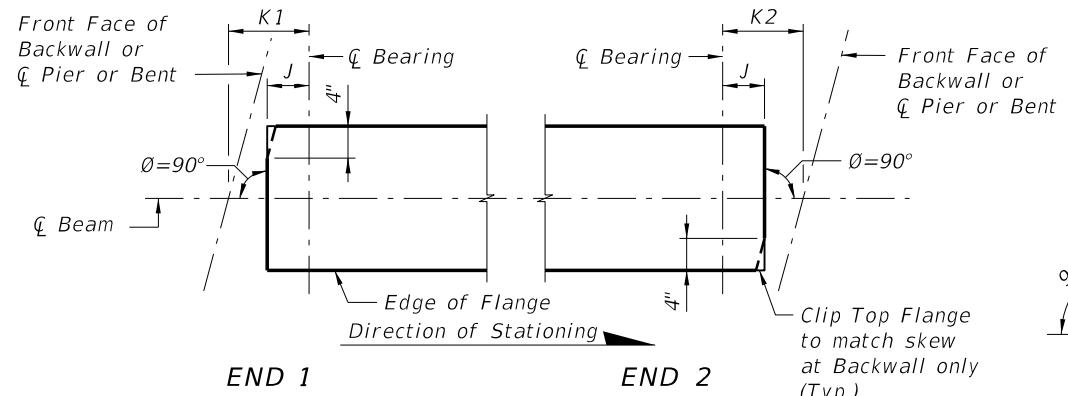
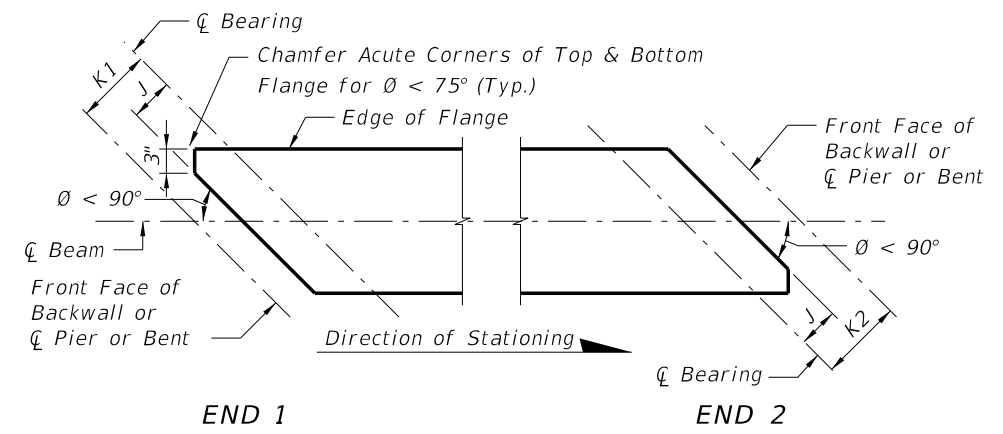


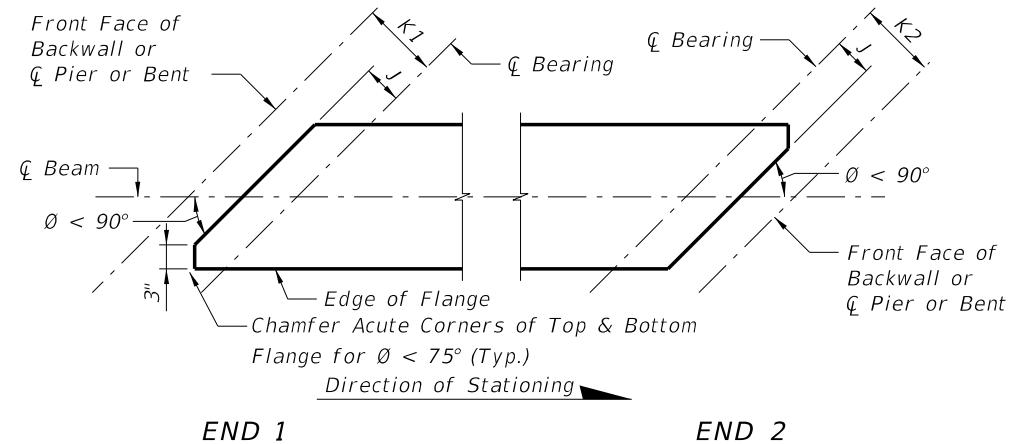
C:\projects\standards\structures\current\ready\4release\2014B00K\20010-1of2.dgn sm970re 7:42:28 PM 6/24/2013



CASE 1
(Standard Orientation for New Construction)

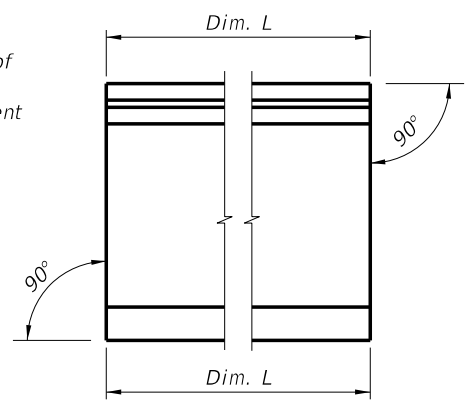


CASE 2
(Special Orientation for Widening)

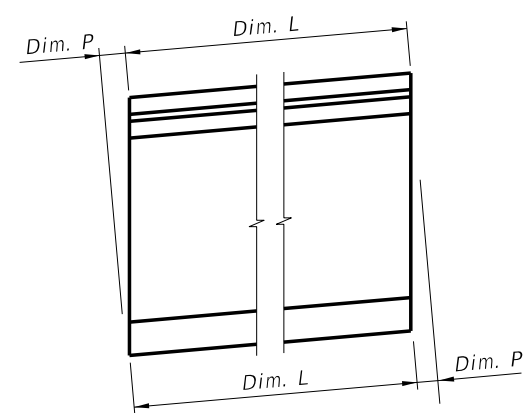


CASE 3
(Special Orientation for Widening)

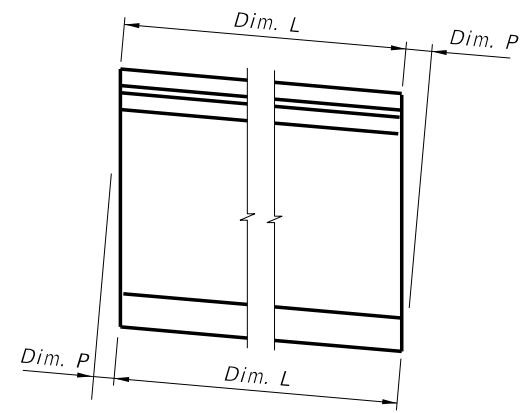
SCHEMATIC PLAN VIEWS AT BEAM ENDS



CONDITION 1
(Dim P = 0.0)



CONDITION 2




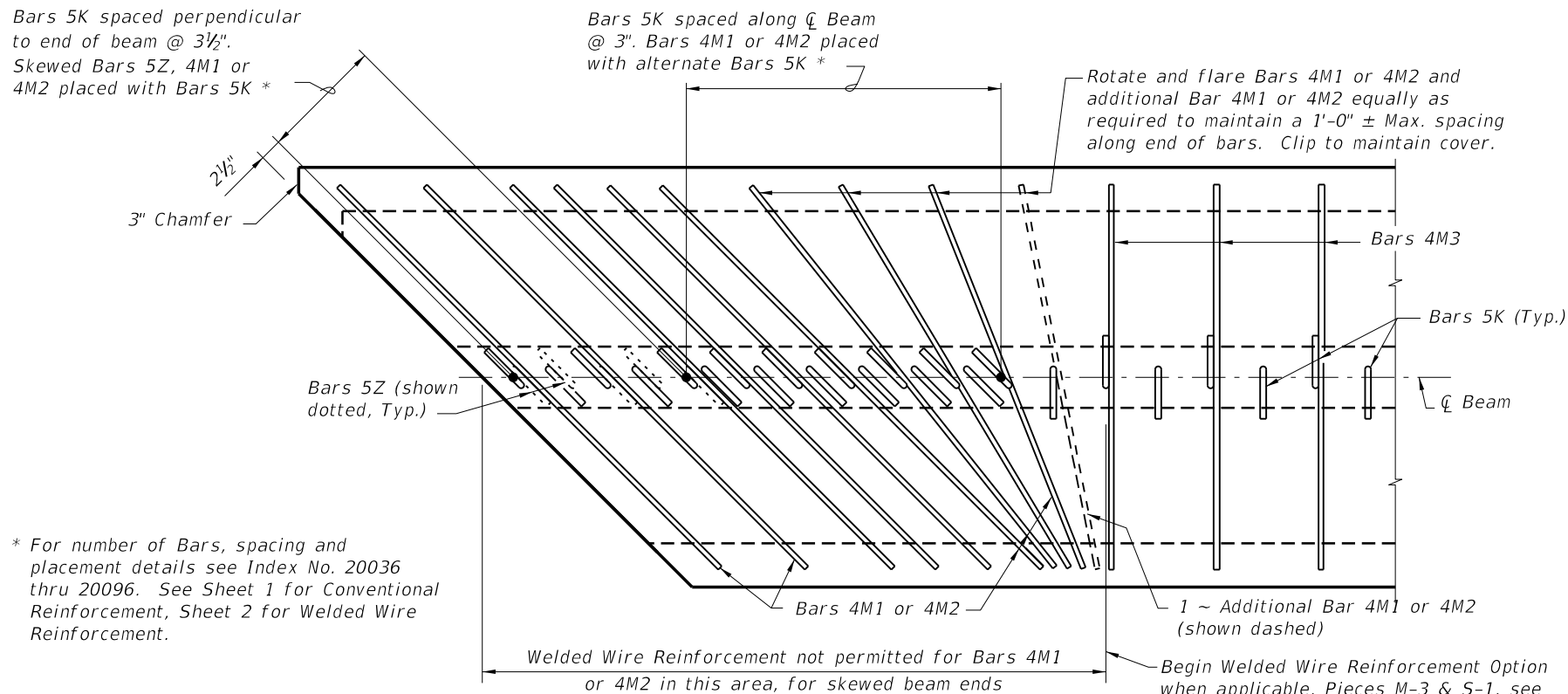
CONDITION 3

SCHEMATIC END ELEVATIONS OF BEAMS
(Showing Vertical Bevel of Beam End)

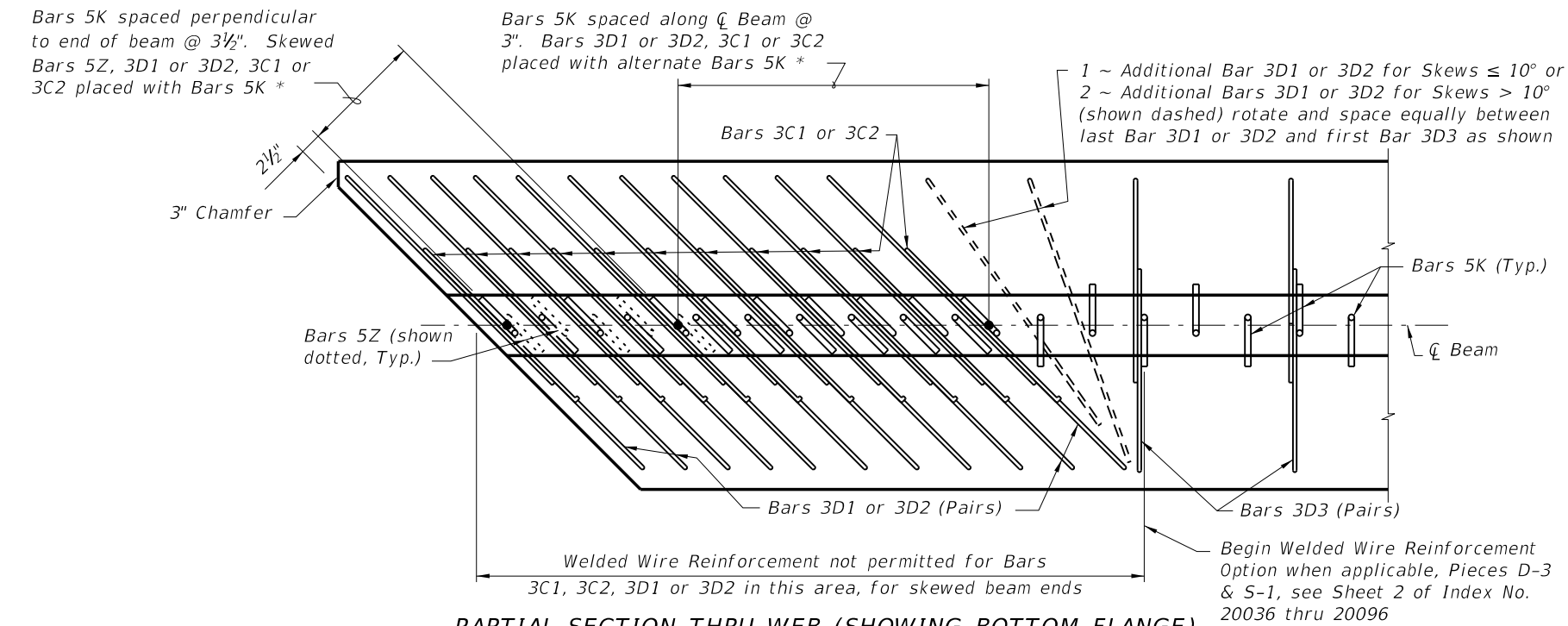
BEAM NOTES

- All bar dimensions are out-to-out.
- Place one (1) Bar 5K or 5Z at each location as detailed alternating the direction of the ends for each bar (see "ELEVATION AT END OF BEAM", Index Nos. 20036, 20045, 20054, 20063, 20072, 20078, 20084 and 20096).
- Strands N shall be ASTM A416, Grade 270, seven-wire strands $\frac{3}{8}$ " \emptyset or larger, stressed to 10,000 lbs. each.
- For beams with ends not to be encased in permanent concrete diaphragms, cut wedge to recess Prestressing Strands at the end of the beam after detensioning without damaging the surrounding concrete. See STRAND RECESS DETAIL on Sheet 2.
- For beams with ends not to be encased in permanent concrete diaphragms, protect end of recessed strands in accordance with Specification 450.
- Unless otherwise noted, the minimum concrete cover for reinforcing steel shall be 2".
- At the Contractor's option, welded deformed wire reinforcement may be used in lieu of Bars 3D, 5K, 4M, and 5Z as shown on the Standard Details for each beam size. Welded deformed wire reinforcement shall conform to AASHTO M221, with a minimum yield strength of 75 ksi.
- Safety Line Anchorage Devices or sleeves are required and permitted in the top flange only to accommodate fall protection systems used during construction. See shop drawings for details and spacing of any required embedments.
- For beams with skewed end conditions, the end reinforcement, defined as Bars 3C1, 3C2, 3D1, 3D2, 5K, 4M1, 4M2, 5Y and 5Z placed within the limits of the spacing for Bars 3C in "ELEVATION AT END OF BEAM", shall be placed parallel to the skewed end of the beam. Bars 3D3, 5K and 4M3 located beyond the limits of Bars 3C shall be placed perpendicular to the longitudinal axis of the beam. Fan Bars as needed to avoid overlapping bars at the transition to Bars 3D3 and 4M3, and field cut to maintain minimum cover. Provide additional Bars 4M1, 4M2, 3D1 and 3D2 as required; additional bars are not included in the Number Required on the "BILL OF REINFORCING STEEL". For placement locations, see "SKEWED BEAM END DETAILS". Adjust the dimensions of Bars 3C1, 3C2, 3D1, 3D2, 4M1 and 4M2 as shown on the "BENDING DIAGRAM" for skewed end conditions.
- Placement of Bars 3C1, 3D1 and 4M1 correspond to END 1, and Bars 3C2, 3D2 and 4M2 correspond to END 2. END 1 and END 2 are shown on the beam "ELEVATION".
- For Beams with vertically beveled end conditions, place first row of Bars 3C1, 3C2, 3D1, 3D2, 5K, 5Y and 5Z parallel to the end of the beam. Progressively rotate remaining bars within the limits of Bars 5Z until vertical by adjusting the spacing at the top of beam up to a maximum of 1". For welded deformed wire reinforcement, cut top cross wire and rotate bars as required or reduce end cover at top of the beam to minimum 1".
- For beams with skewed end conditions, welded deformed wire reinforcement shall not be used for end reinforcement (Bars 3D1, 3D2, 4M1 and 4M2).
- Bars 5K and 5Z shall be placed and tied to the fully bonded strands in the bottom or center row (see "STRAND PATTERN" on the Table of Beam Variables in Structures Plans). At the Contractor's option the length of the bottom legs of Bars 5K and 5Z may be extended to facilitate tying to the exterior strands. For welded deformed wire reinforcement, supplemental transverse #4 bars are permitted to support Pieces K & S under the cross wires on the bottom row of strands.
- At the Contractor's option, Bars 3D1, 3D2 and 3D3 may be fabricated as a single bar with a 1'-0" minimum lap splice of the top legs, or the length of the bottom legs may be extended to facilitate tying to the exterior strands.
- For referenced Dimensions, Angles and Case Numbers, see the Table of Beam Variables in Structures Plans.

LAST REVISION 07/01/12	REVISION	DESCRIPTION:	 <p>FDOT 2014 DESIGN STANDARDS</p>	<p>TYPICAL FLORIDA-I BEAM DETAILS AND NOTES</p>	INDEX NO. 20010	SHEET NO. 1 of 2
---------------------------	----------	--------------	--	--	---------------------------	----------------------------

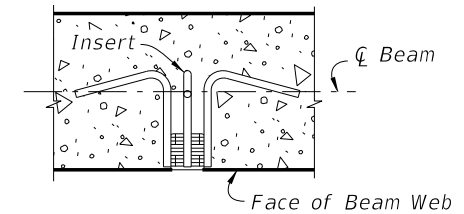


PARTIAL PLAN VIEW (SHOWING TOP FLANGE)
 (End 1 Shown, End 2 Similar)
 (Bars 5A, 5Y & Strands N not shown for clarity)



PARTIAL SECTION THRU WEB (SHOWING BOTTOM FLANGE)
 (End 1 Shown, End 2 Similar)
 (Bars 5Y & Strands not shown for clarity)

SKewed BEAM END DETAILS FOR WIDENING EXISTING BRIDGES
 (Florida-I 36 Beam shown, others similar)

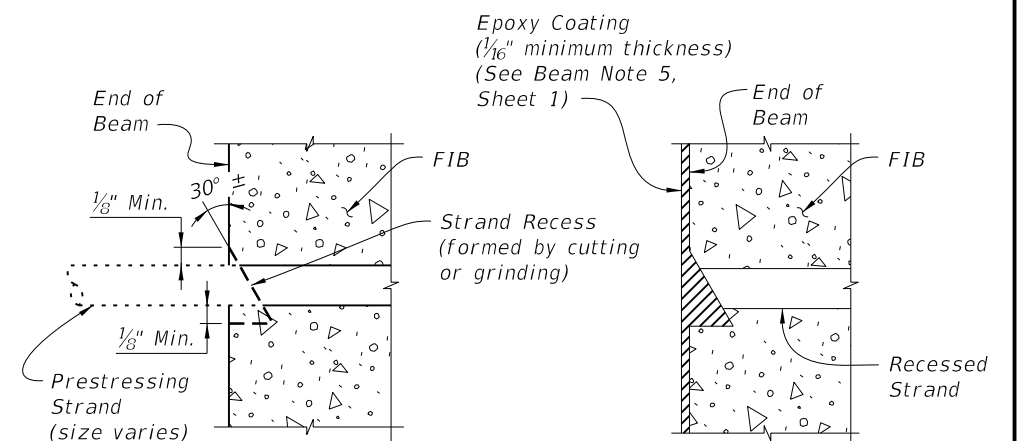


PLAN SECTION THRU BEAM WEB AT INSERT FOR DIAPHRAGM REINFORCING
 (When Intermediate Diaphragms are Required by Design)

INSERT NOTES

1. Provide 1" \varnothing , zinc-electroplated, ferrule wing nut or coil inserts, UNC threads, 1/0 minimum gage wire, not more than 4" in depth with a minimum ultimate tensile strength of 11,400 lbs. in 4,000 psi concrete.
2. If inserts are needed on both sides (faces) of beam webs, an assembly as long as the thickness of the beam web, consisting of two (2) ferrule or coil inserts attached by two (2) or more struts may be utilized. The connecting struts shall have a minimum ultimate tensile strength of 11,400 lbs.
3. Inserts for diaphragm reinforcing are required at each end of each intermediate diaphragm shown on the Beam Framing Plan and may be required at the end of the beams when end diaphragms are shown. See Superstructure and Beam Framing Plans for longitudinal location of inserts for each face of beam.

INSERT DETAIL



TYPICAL SECTION SHOWING STRAND RECESS LIMITS

TYPICAL SECTION AFTER EPOXY COATING

STRAND RECESS DETAIL

C:\projects\standards\structures\current\ready\4release\2014\BOOK\20010-2of2.dgn sm970re 7:42:30 PM 6/24/2013

LAST REVISION 07/01/12	REVISION	DESCRIPTION:	 FDOT 2014 DESIGN STANDARDS	TYPICAL FLORIDA-I BEAM DETAILS AND NOTES	INDEX NO. 20010	SHEET NO. 2 of 2
---------------------------	----------	--------------	--	---	---------------------------	----------------------------