

**GENERAL NOTES:**

Materials:

Concrete: Class V Special or Class VI  
6 ksi minimum at 28 days  
4 ksi minimum at transfer

Prestressed Strands: ASTM A416 Grade 270  
stress relieved or low relaxation

Spiral Reinforcing: ASTM A82 cold-drawn steel wire

Provide a minimum concrete cover of 1 inch.

For spiral reinforcing, one turn is required for splices and two turns are required at both the tip and butt ends of the pole.

The design Front Face and Back Face of poles may vary transversely from the section shown by  $\pm 1/4"$  to assist with removal from forms. Balance addition and subtraction of face widths to maintain section areas shown.

Provide hand hole and coupler cover plates made of non-corrosive materials. Attach cover plates to poles using lead anchors or threaded inserts embedded in the poles in conjunction with round headed chrome plated screws.

Tie ground wires to the interior of reinforcing steel as necessary to prevent displacement during concreting operations.

Provide Aluminum Identification Markings on the poles where indicated on the following sheets. Include the following information using inset numerals with 1" height or as approved in the Producer's Quality Control Plan:

Financial Project ID  
Pole Manufacturer  
Standard Pole Type Number  
Pole Length (L)

Pick-up and support locations shown may vary with a tolerance of  $\pm 3"$ .


This Design Standard is considered fully detailed and no shop drawings are necessary. Submit shop drawings for minor modifications not detailed in the plans.

Cut the tip end of the prestressed strand first or simultaneously with the butt end.

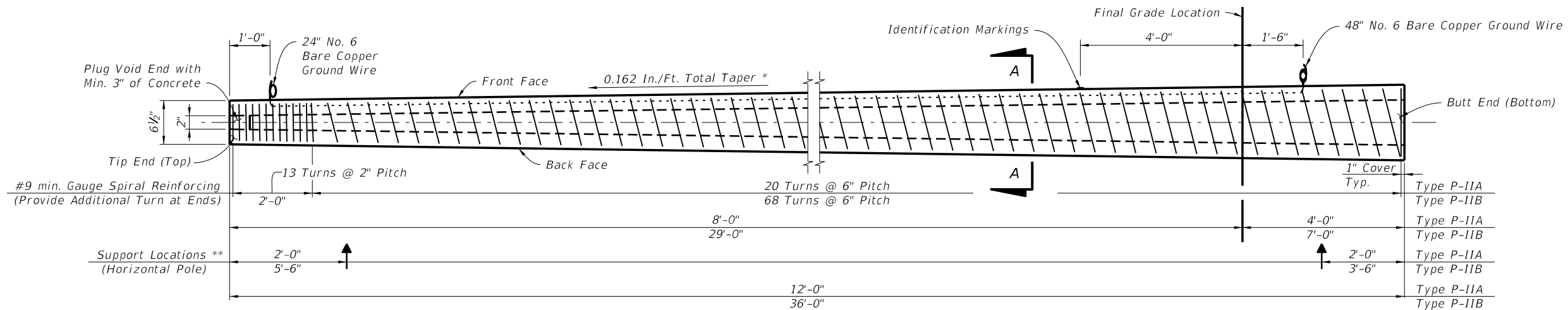
**INSTALLATION NOTES:**

If a two point attachment is required by the plans, provide an eye bolt hole for the messenger wire or field-drill at the location indicated in the plans. When required, field-drill the eyebolt hole for the tether wire prior to installation.

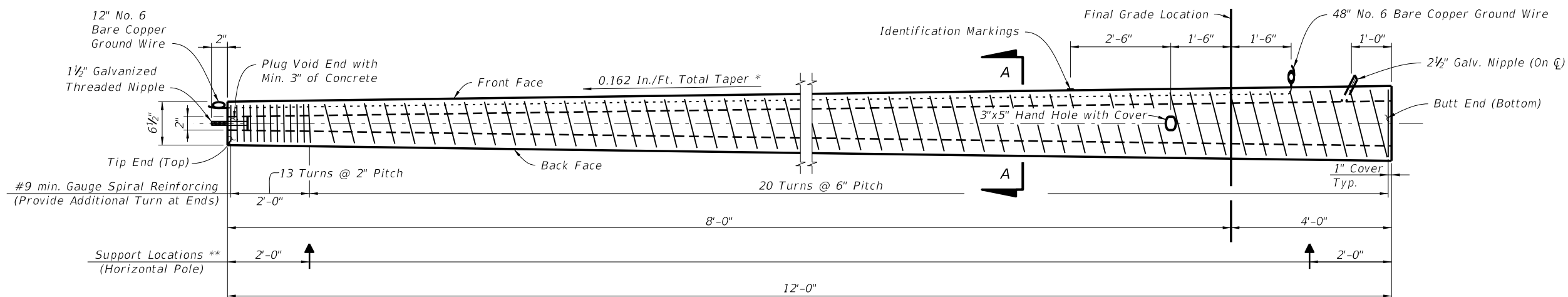
C:\projects\standards\roadway\17700-s\17725-01.dgn  
sm970re  
7:25:32 PM  
6/24/2013

LAST REVISION 07/01/13	REVISION	DESCRIPTION:	 <b>FDOT 2014 DESIGN STANDARDS</b>	<b>CONCRETE POLES</b>	INDEX NO. 17725	SHEET NO. 1 of 8
---------------------------	----------	--------------	---	-----------------------	--------------------	---------------------

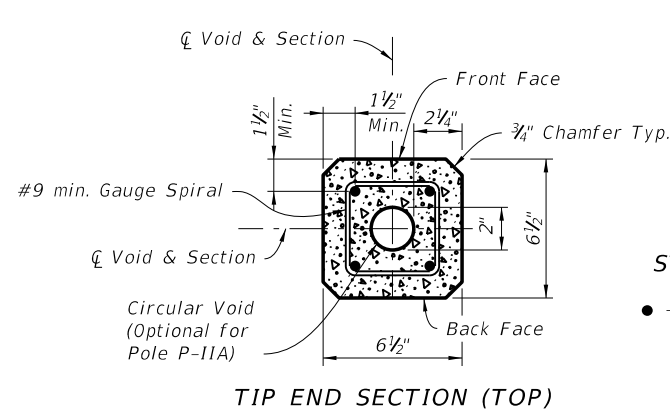
C:\projects\standards\roadway\17700-s\17725-02.dgn 6/24/2013 7:25:34 PM sm970re



**SERVICE POLE P-IIA (12 Ft.) & P-IIB (36 Ft.) ELEVATION**  
(Strands Not Shown)

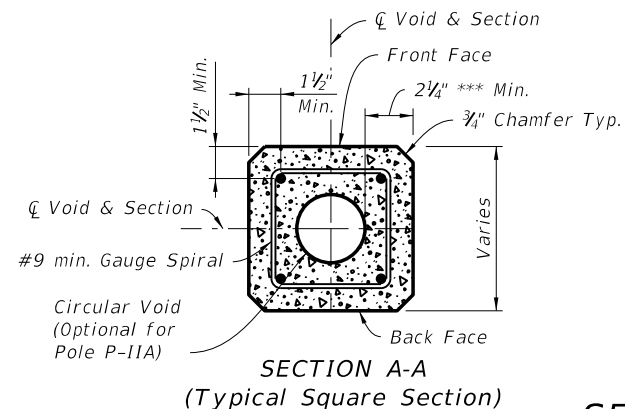


**PEDESTAL POLE P-IIC (12 Ft.) ELEVATION**  
(Strands Not Shown)



**TIP END SECTION (TOP)**

- STRAND LEGEND**
- - Prestressed Strand  
0.5 In. Grade 270, LRS  
24 Kips Before Transfer  
or 0.375 In. Grade 270,  
LRS 14 Kips Before  
Transfer (4 strands total)




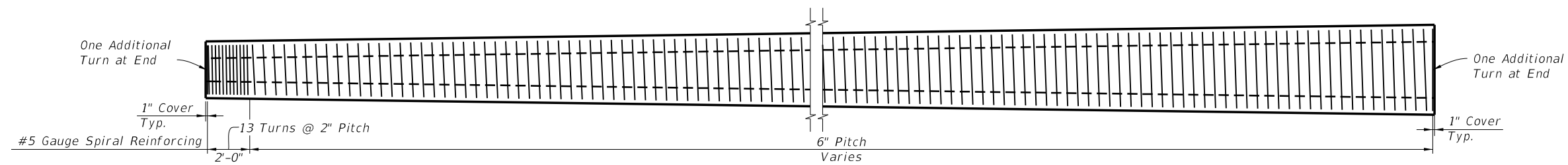
**SECTION A-A**  
(Typical Square Section)

**NOTES:**

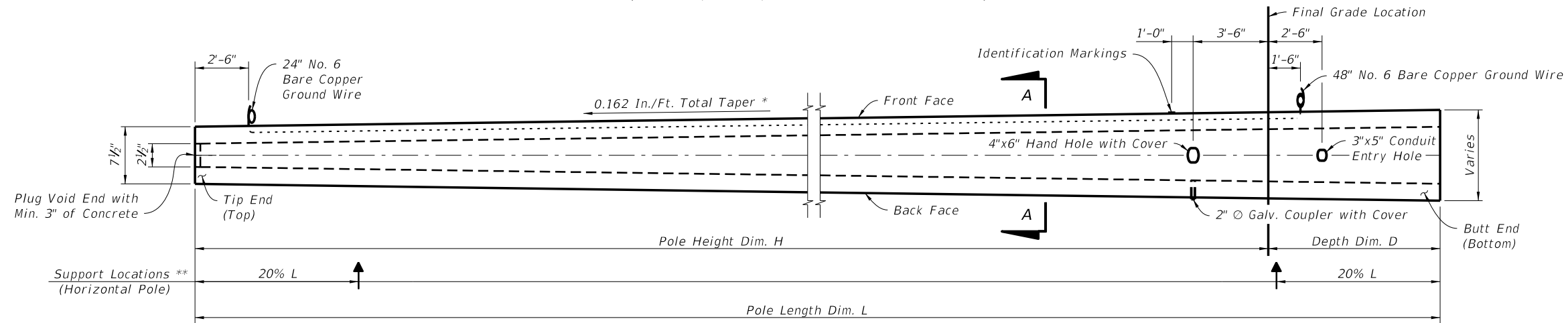
- Work this Index with the Strain Pole Schedule in the plans.
- Strands shown are continuous from Tip End to Butt End.
- Elevation view scale is exaggerated vertically for clarity.
- For final erection, tilt pole upright with single point attachment located a distance 4 Ft. (for P-IIA & P-IIC) or 10 Ft. (for P-IIB) from the Tip End face.
- \* Taper includes pole width, strands, reinforcing and void. (0.081 In./Ft. per face)
- \*\* Support locations are for strand release, storage, lifting and transport. Keep Back Face oriented downward until final erection.
- \*\*\* Dimension may vary from 2 1/4" to 3 1/2" to accommodate smaller radius of optional stepped (PVC) void. The void diameter shall not be less than 2".

**SERVICE AND PEDESTAL POLE TYPE P-II**

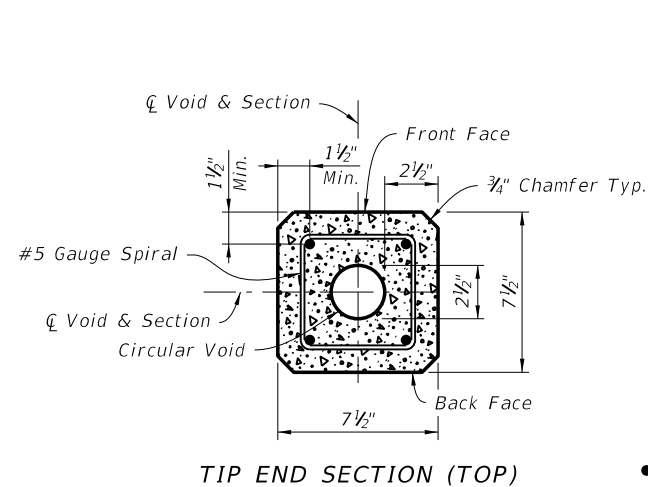
LAST REVISION 07/01/13	REVISION	DESCRIPTION:	 <p><b>FDOT 2014 DESIGN STANDARDS</b></p>	<p><b>CONCRETE POLES</b></p>	<p>INDEX NO. <b>17725</b></p>	<p>SHEET NO. <b>2 of 8</b></p>
---------------------------	----------	--------------	--	------------------------------	-----------------------------------	------------------------------------



**SPIRAL REINFORCING ELEVATION**  
(Strands, Holes, and Fixtures Not Shown)



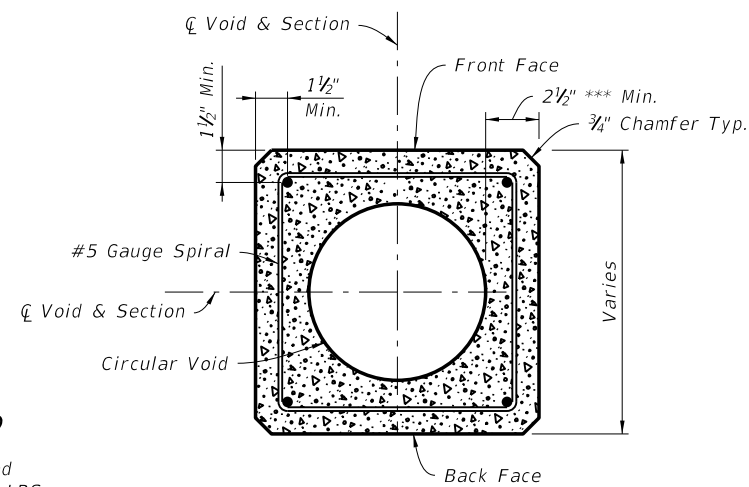
**POLE ELEVATION**  
(Strands and Reinforcing Not Shown)  
(See Design Standard Index 17900 and Specification 744 for Modifications to Type P-III Poles Used at Traffic Monitoring Sites)



**TIP END SECTION (TOP)**

**STRAND LEGEND**

- - Prestressed Strand  
0.5 In. Grade 270, LRS  
31 Kips Before Transfer  
(4 strands total)



**SECTION A-A**  
(Typical Square Section)

**NOTES:**

Work this Index with the Strain Pole Schedule in the plans.

Strands shown are continuous from Tip End to Butt End.

Elevation view scale is exaggerated vertically for clarity.

For final erection, tilt pole upright with single point attachment located a distance 33.3% L from Tip End face.


\* Taper includes pole width, strands, reinforcing and void.  
(0.081 In./Ft. per face)

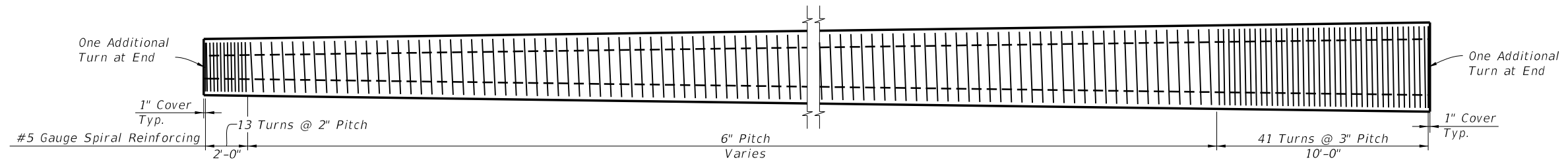
\*\* Support locations are for strand release, storage, lifting and transport. Keep Back Face oriented downward until final erection.

\*\*\* Dimension may vary from 2 1/2" to 3 3/4" to accommodate smaller radius of optional stepped (PVC) void. The void diameter shall not be less than 2 1/2".

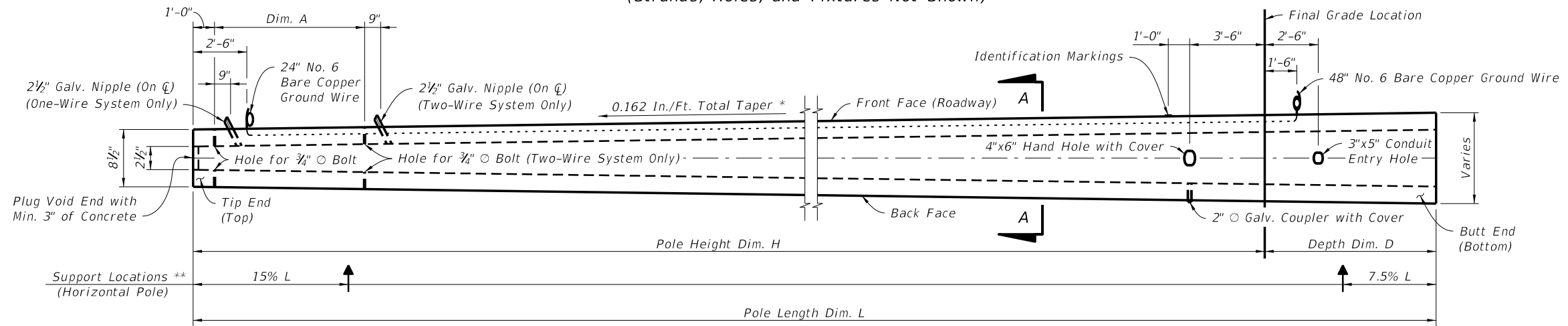
**LIGHTING AND TRAFFIC MONITORING POLES TYPE P-III**

C:\projects\standards\roadway\17700-s\17725-03.dgn sm970re 7:25:36 PM 6/24/2013

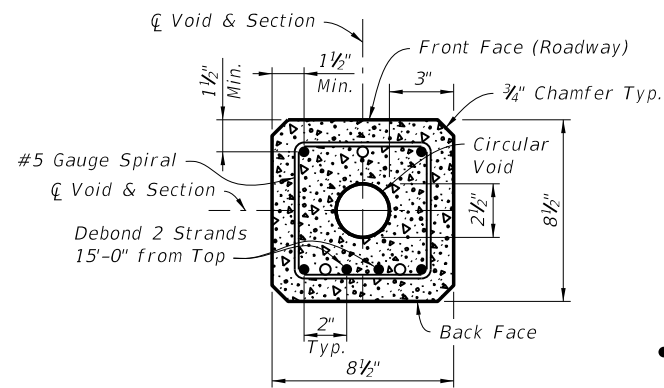
LAST REVISION 07/01/13	REVISION	DESCRIPTION:	 <b>FDOT 2014 DESIGN STANDARDS</b>	<b>CONCRETE POLES</b>	INDEX NO. 17725	SHEET NO. 3 of 8
---------------------------	----------	--------------	--	-----------------------	--------------------	---------------------



**SPIRAL REINFORCING ELEVATION**  
(Strands, Holes, and Fixtures Not Shown)



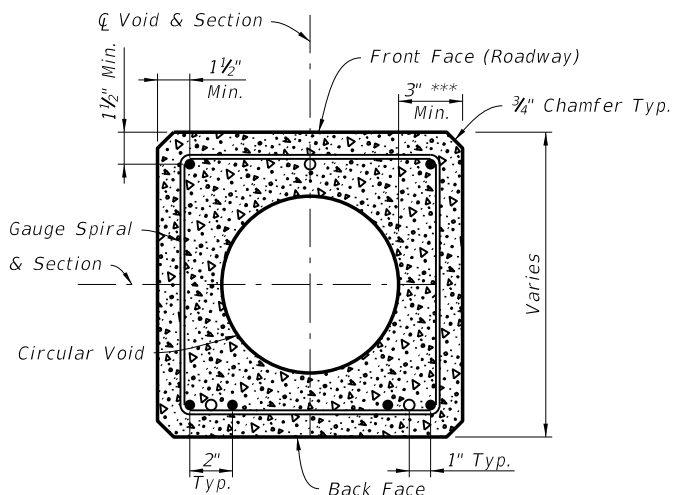
**POLE ELEVATION**  
(Strands and Reinforcing Not Shown)



**TIP END SECTION (TOP)**  
(For Dormant Strand Locations See Section A-A)

**STRAND LEGEND**

- - Prestressed Strand  
0.5 In. Grade 270, LRS  
31 Kips Before Transfer  
(6 strands total)
- - Dormant Strand  
0.5 In. Grade 270, LRS  
(3 strands total)  
One 24" Splice Allowed  
Per Strand




**SECTION A-A**  
(Typical Square Section)

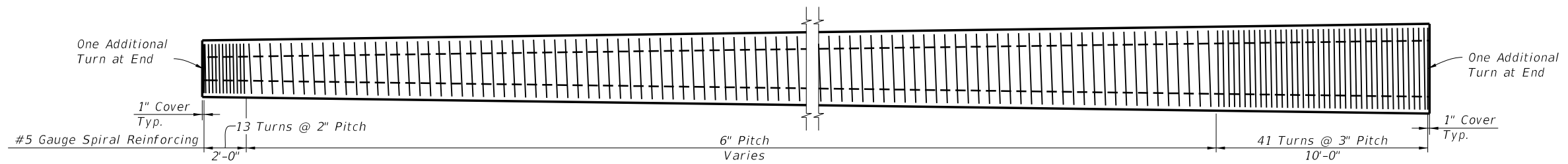
**NOTES:**

- Work this Index with the Strain Pole Schedule in the plans.
- Strands shown are continuous from Tip End to Butt End.
- Elevation view scale is exaggerated vertically for clarity.
- For final erection, tilt pole upright with single point attachment located a distance 20% L from the Tip End face.
- \* Taper includes pole width, strands, reinforcing and void. (0.081 In./Ft. per face)
- \*\* Support locations are for strand release, storage, lifting and transport. Keep Back Face oriented downward until final erection.
- \*\*\* Dimension may vary from 3" to 4 1/2" to accommodate smaller radius of optional stepped (PVC) void. The void diameter shall not be less than 2 1/2".

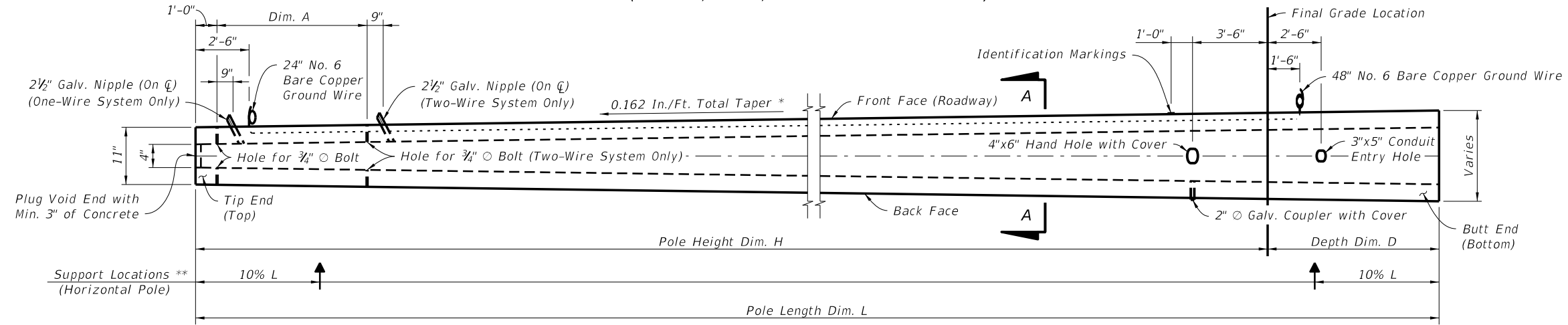
**STRAIN POLE TYPE P-IV**

6/24/2013 7:25:38 PM sm970re C:\projects\standards\roadway\17700-s\17725-04.dgn

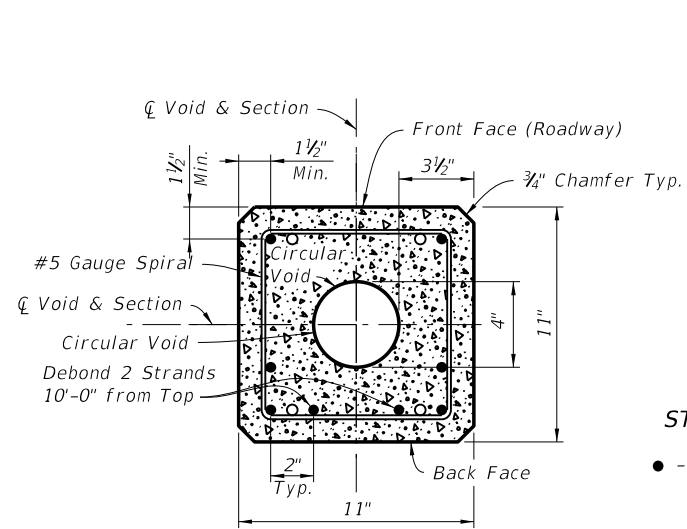
LAST REVISION 07/01/13	REVISION	DESCRIPTION:	 <p><b>FDOT 2014 DESIGN STANDARDS</b></p>	<b>CONCRETE POLES</b>	INDEX NO. <b>17725</b>	SHEET NO. <b>4 of 8</b>
---------------------------	----------	--------------	--	-----------------------	---------------------------	----------------------------



**SPIRAL REINFORCING ELEVATION**  
(Strands, Holes, and Fixtures Not Shown)

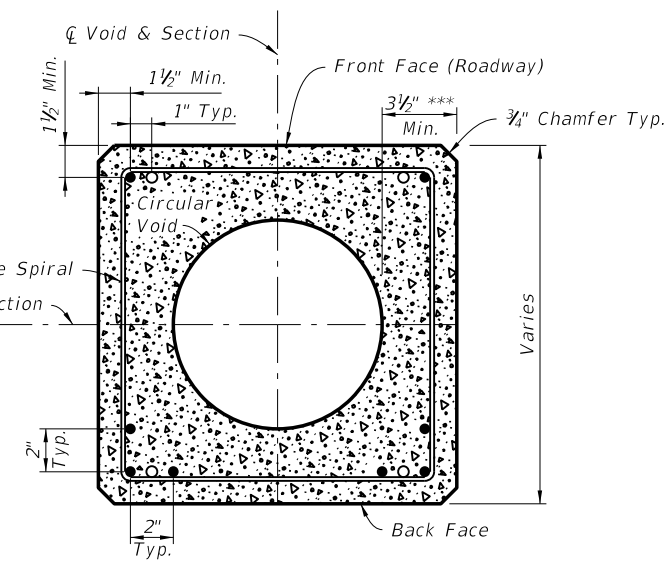


**POLE ELEVATION**  
(Strands and Reinforcing Not Shown)



**TIP END SECTION (TOP)**  
(For Dormant Strand Locations, See Section A-A)

- STRAND LEGEND**
- - Prestressed Strand  
0.5 In. Grade 270, LRS  
31 Kips Before Transfer  
(8 strands total)
  - - Dormant Strand  
0.5 In. Grade 270, LRS  
(4 strands total)  
One 24" Splice Allowed  
Per Strand



**SECTION A-A**  
(Typical Square Section)

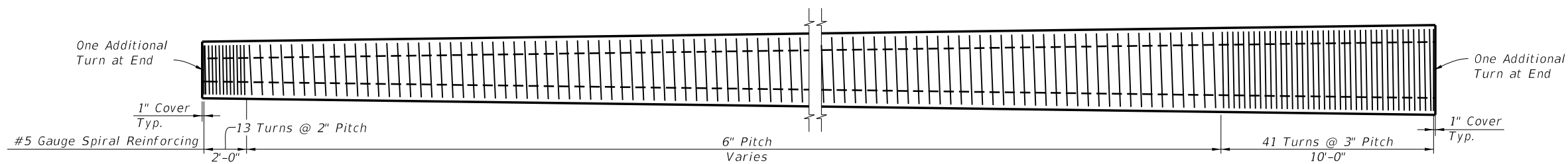
- NOTES:**
- Work this Index with the Strain Pole Schedule in the plans.
  - Strands shown are continuous from Tip End to Butt End.
  - Elevation view scale is exaggerated vertically for clarity.
  - For final erection, tilt pole upright with single point attachment located a distance 12.5% L from the Tip End face.
  - \* Taper includes pole width, strands, reinforcing and void. (0.081 In./Ft. per face)
  - \*\* Support locations are for strand release, storage, lifting and transport. Keep Back Face oriented downward until final erection.
  - \*\*\* Dimension may vary from 3 1/2" to 4 3/4" to accommodate smaller radius of optional stepped (PVC) void. The void diameter shall not be less than 4".

**STRAIN POLE TYPE P-V**

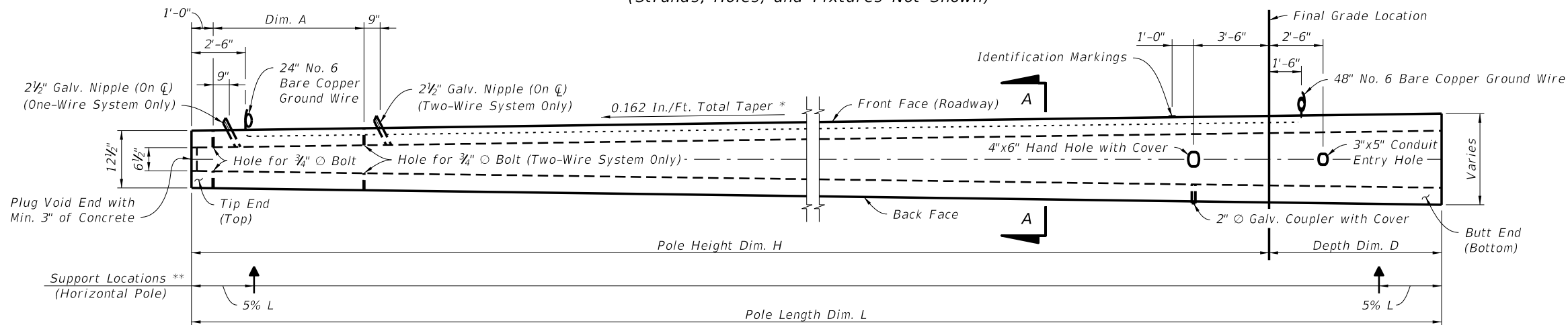
6/24/2013 7:25:40 PM sm970re C:\projects\standards\roadway\17700-s\17725-05.dgn

LAST REVISION 07/01/13	REVISION	DESCRIPTION:	 <b>FDOT 2014 DESIGN STANDARDS</b>	<b>CONCRETE POLES</b>	INDEX NO. 17725	SHEET NO. 5 of 8
---------------------------	----------	--------------	---	-----------------------	--------------------	---------------------

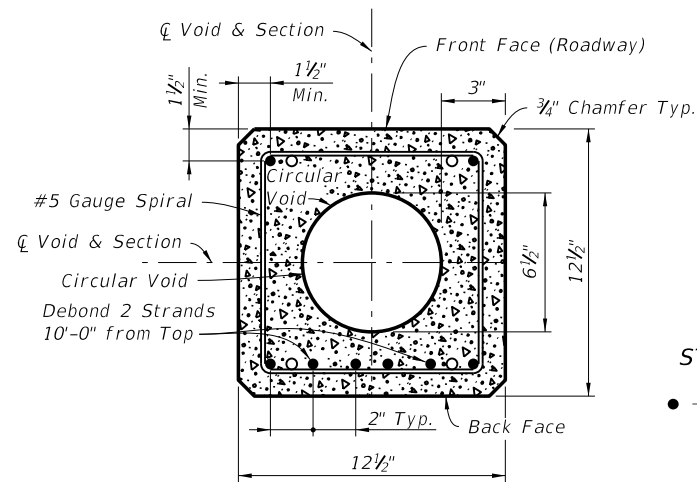
6/24/2013 7:25:42 PM sm970re C:\projects\standards\roadway\17700-s\17725-06.dgn



**SPIRAL REINFORCING ELEVATION**  
(Strands, Holes, and Fixtures Not Shown)



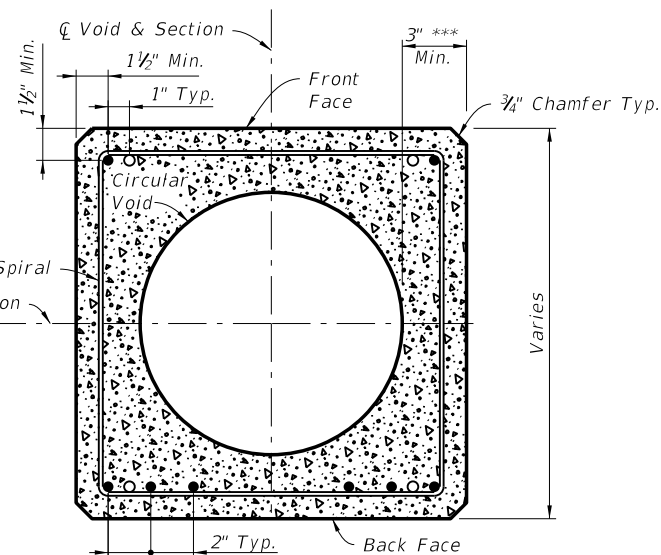
**POLE ELEVATION**  
(Strands and Reinforcing Not Shown)



**TIP END SECTION (TOP)**  
(For Dormant Strand Locations, See Section A-A)

**STRAND LEGEND**

- - Prestressed Strand  
0.5 In. Grade 270, LRS  
31 Kips Before Transfer  
(8 strands total)
- - Dormant Strand  
0.5 In. Grade 270, LRS  
(4 strands total)  
One 24" Splice Allowed  
Per Strand



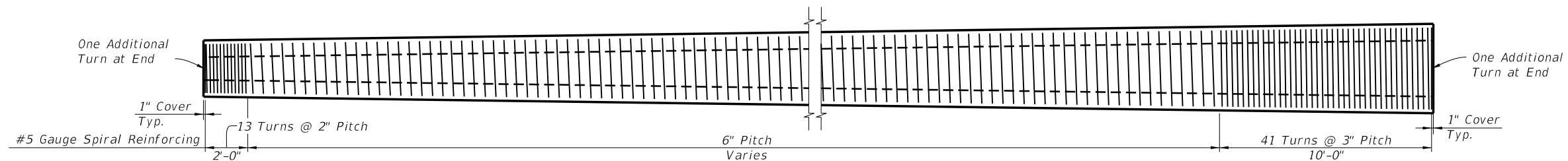
**SECTION A-A**  
(Typical Square Section)

**NOTES:**

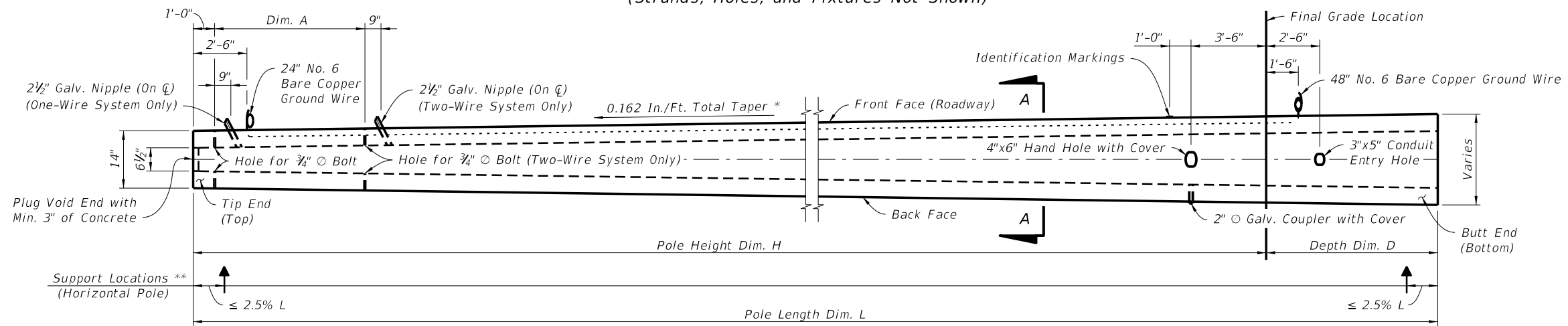
- Work this Index with the Strain Pole Schedule in the plans.
- Strands shown are continuous from Tip End to Butt End.
- Elevation view scale is exaggerated vertically for clarity.
- For final erection, tilt pole upright with single point attachment located a distance 10% L from Tip End Face.
- \* Taper includes pole width, strands, reinforcing and void. (0.081 In./Ft. per face)
- \*\* Support locations are for strand release, storage, lifting and transport. Keep Back Face oriented downward until final erection.
- \*\*\* Dimension may vary from 3" to 4 1/4" to accommodate smaller radius of optional stepped (PVC) void. The void diameter shall not be less than 6 1/2".

**STRAIN POLE TYPE P-VI**

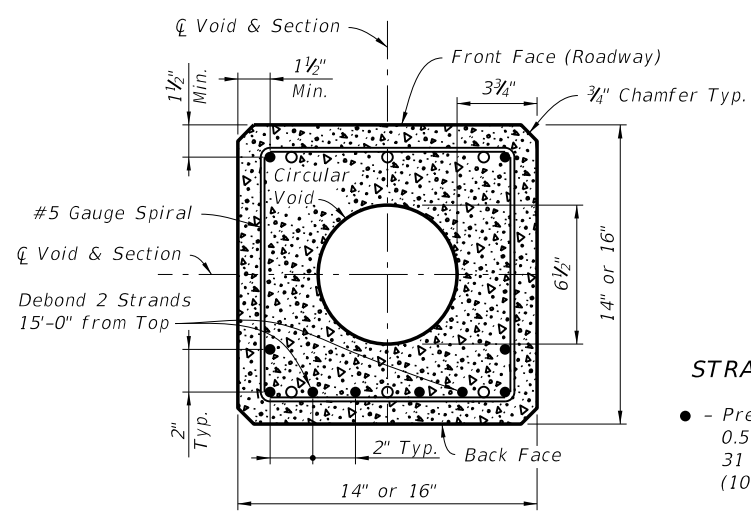
LAST REVISION 07/01/13	REVISION	DESCRIPTION:	 <b>FDOT 2014</b> <b>DESIGN STANDARDS</b>	<b>CONCRETE POLES</b>	INDEX NO. <b>17725</b>	SHEET NO. <b>6 of 8</b>
---------------------------	----------	--------------	---	-----------------------	---------------------------	----------------------------



**SPIRAL REINFORCING ELEVATION**  
(Strands, Holes, and Fixtures Not Shown)



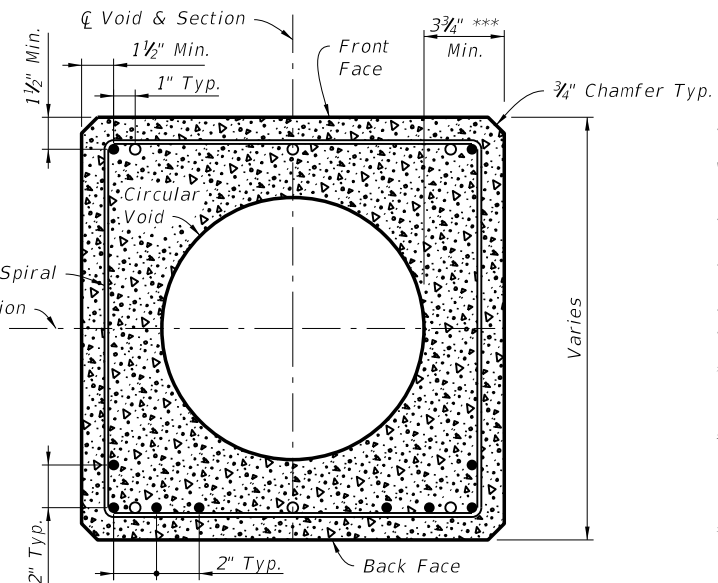
**POLE ELEVATION**  
(Strands and Reinforcing Not Shown)



**TIP END SECTION (TOP)**  
(For Dormant Strand Locations, See Section A-A)

**STRAND LEGEND**

- - Prestressed Strand  
0.5 In. Grade 270, LRS  
31 Kips Before Transfer  
(10 strands total)
- - Dormant Strand  
0.5 In. Grade 270, LRS  
(6 strands total)  
One 24" Splice Allowed  
Per Strands




**SECTION A-A**  
(Typical Square Section)

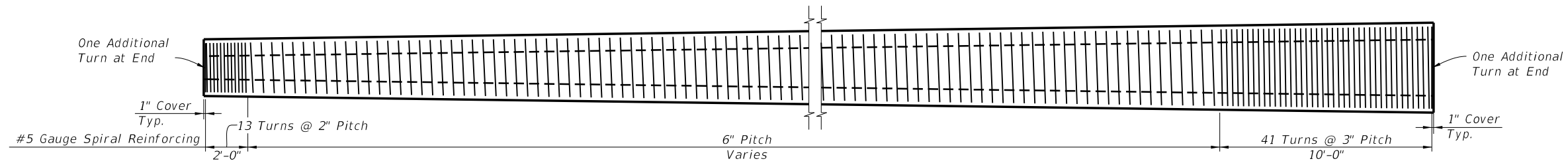
**NOTES:**

- Work this Index with the Strain Pole Schedule in the plans.
- Strands shown are continuous from Tip End to Butt End.
- Elevation view scale is exaggerated vertically for clarity.
- For final erection, tilt pole upright with single point attachment located a distance 10% L from the Tip End face.
- \* Taper includes pole width, strands, reinforcing and void. (0.081 In./Ft. per face)
- \*\* Support locations are for strand release, storage, lifting and transport. Keep Back Face oriented downward until final erection.
- \*\*\* Dimension may vary from 3 3/4" to 5" to accommodate smaller radius of optional stepped (PVC) void. The void diameter shall not be less than 6 1/2".

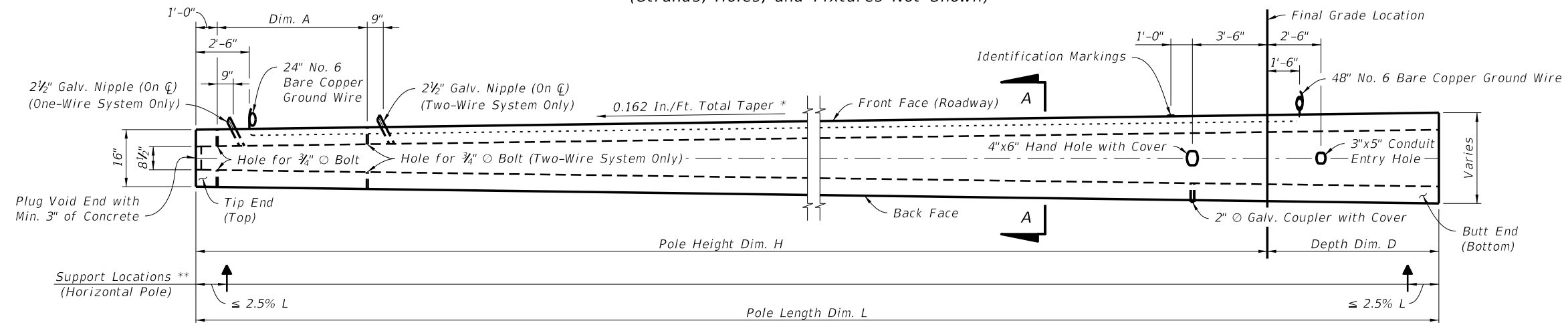
**STRAIN POLE TYPE P-VII**

C:\projects\standards\roadway\17700-s\17725-07.dgn 6/24/2013 7:25:44 PM sm970re

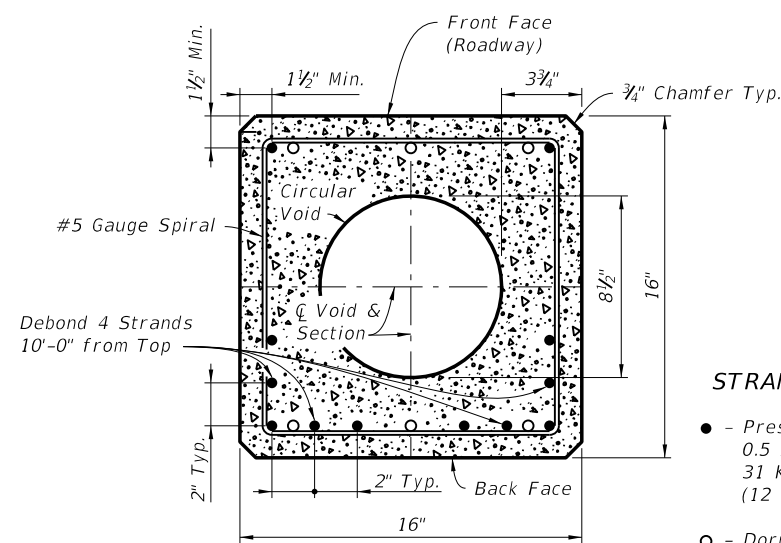
LAST REVISION 07/01/13	REVISION	DESCRIPTION:	 <p><b>FDOT 2014 DESIGN STANDARDS</b></p>	<b>CONCRETE POLES</b>	INDEX NO. <b>17725</b>	SHEET NO. <b>7 of 8</b>
---------------------------	----------	--------------	--	-----------------------	---------------------------	----------------------------



**SPIRAL REINFORCING ELEVATION**  
(Strands, Holes, and Fixtures Not Shown)



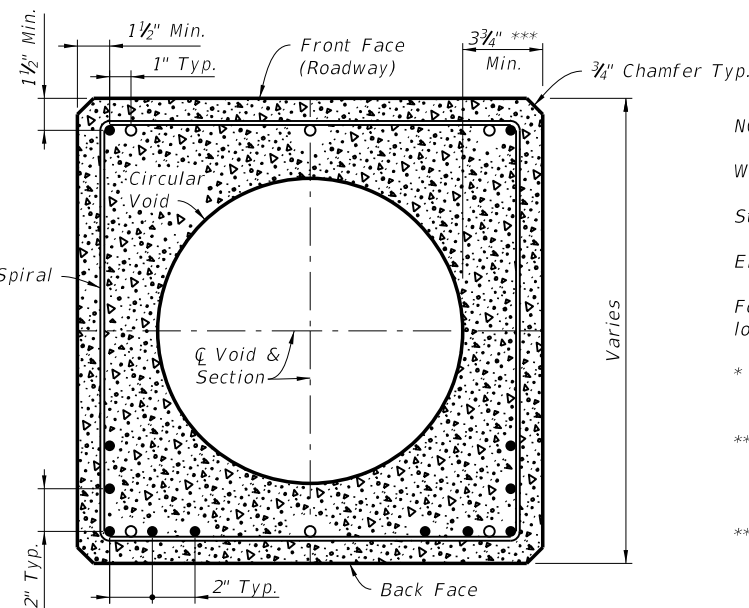
**POLE ELEVATION**  
(Strands and Reinforcing Not Shown)



**TIP END SECTION (TOP)**  
(For Dormant Strand Locations, See Section A-A)

**STRAND LEGEND**

- - Prestressed Strand  
0.5 In. Grade 270, LRS  
31 Kips Before Transfer  
(12 strands total)
- - Dormant Strand  
0.5 In. Grade 270, LRS  
(6 strands total)  
One 24" Splice Allowed  
Per Strand




**SECTION A-A**  
(Typical Square Section)

**NOTES:**

- Work this Index with the Strain Pole Schedule in the plans.
- Strands shown are continuous from Tip End to Butt End.
- Elevation view scale is exaggerated vertically for clarity.
- For final erection, tilt pole upright with single point attachment located a distance 10% L from the Tip End face.
- \* Taper includes pole width, strands, reinforcing and void. (0.081 In./Ft. per face)
- \*\* Support locations are for strand release, storage, lifting and transport. Keep Back Face oriented downward until final erection.
- \*\*\* Dimension may vary from 3 3/4" to 5" to accommodate smaller radius of optional stepped (PVC) void. The void diameter shall not be less than 8 1/2".

**STRAIN POLE TYPE P-VIII**

C:\projects\standards\roadway\17700-s\17725-08.dgn sm970re 7:25:46 PM 6/24/2013

LAST REVISION 07/01/13	REVISION	DESCRIPTION:	 <p><b>FDOT 2014 DESIGN STANDARDS</b></p>	<p><b>CONCRETE POLES</b></p>	<p>INDEX NO. <b>17725</b></p>	<p>SHEET NO. <b>8 of 8</b></p>
---------------------------	----------	--------------	--	------------------------------	-----------------------------------	------------------------------------