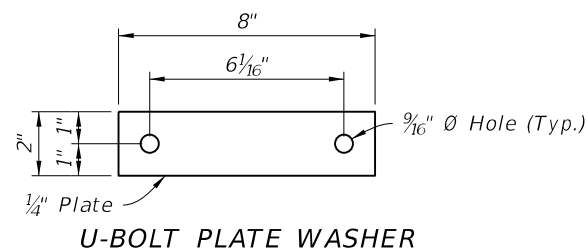
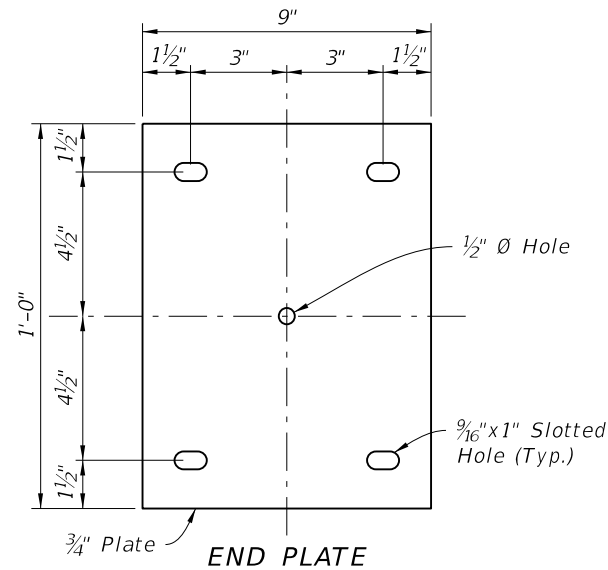
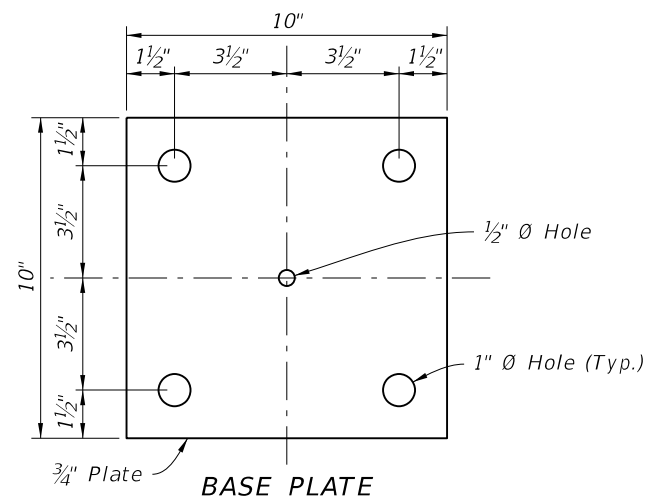
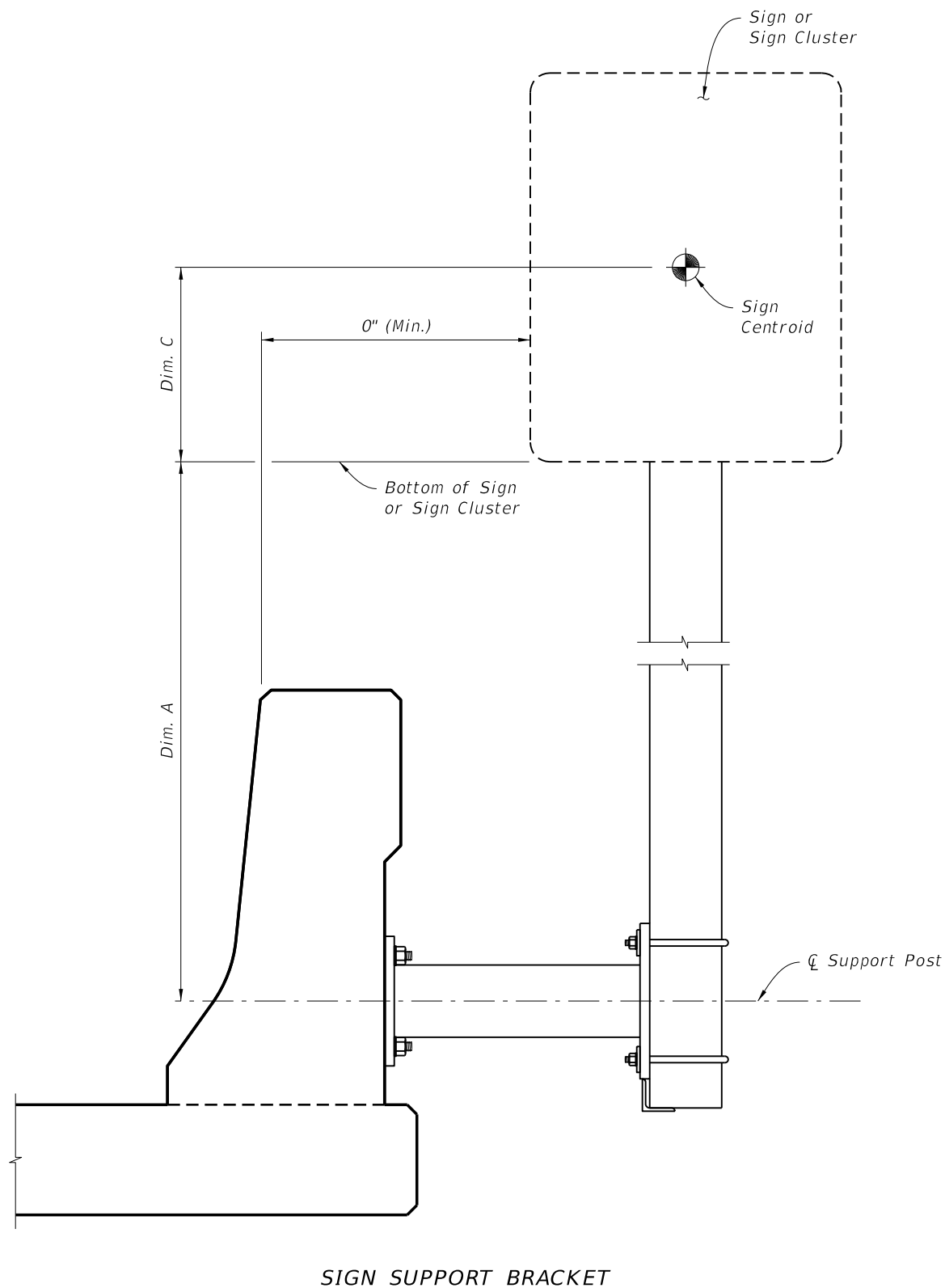


C:\projects\standards\structures\current\ready\4release\2014B00K\11870-1 of 2.dgn  
sm970re  
7:10:00 PM  
6/24/2013



**NOTES:**

**DESIGN SPECIFICATIONS:** AASHTO Standard Specifications for Structural Supports for Highway Signs, Luminaires and Traffic Signals as modified by the FDOT Structures Manual.

**WIND SPEEDS:** See Index 11860, "Wind Speeds by County" note.

**GEOMETRY:** Install signs with bottom edge of the lower sign panel at 7' above the gutter line. Edge of sign panels must not extend beyond the inside face of the top of the traffic railing. Install sign posts plumb.

**APPLICABILITY:** Mount only to concrete traffic barriers in locations where ground mounting is not possible. Work this Index in conjunction with Index No. 11860.

**SHOP DRAWINGS:** Shop drawings are not required.

**PAYMENT:** Include payment for sign support bracket in the cost of the single post sign.

**MATERIALS:**

**Coatings:** Hot dip galvanize all steel and fasteners in accordance with Specification Section 962. Galvanize Sign Support Weldment after fabrication. Paint sign support brackets and posts when shown in the plans in accordance with Specification Section 649-4.

**Support Post:** ASTM A501 5" NPS Schedule 40 Steel Pipe.

**Sign Post:** Aluminum Association Alloy 6061-T6 (ASTM B209, B221 or B308) 5" NPS Schedule 40 Aluminum Pipe.

**Steel Plates:** ASTM A36 or A709 Grade 36.

**Anchor Rods & Bolts:** ASTM F1554 Grade 55 with a single self-locking hex nut and washers. Install anchor rods or bolts perpendicular to the base plates on back of traffic railing. See Anchorage Notes, Sheet 2 of 2.

**Adhesive Bonded Anchors:** Fully threaded Anchor Rods with Type HV Adhesive Bonding Material System in accordance with Specification Section 416 & 937. In lieu of the number of anchors specified to be tested in Specification Section 416-6, field test all adhesive bonded anchors installed per this Design Standard.

**U-Bolts:** ASTM A449 sized for sign post, with flat washers and locking hex nuts.

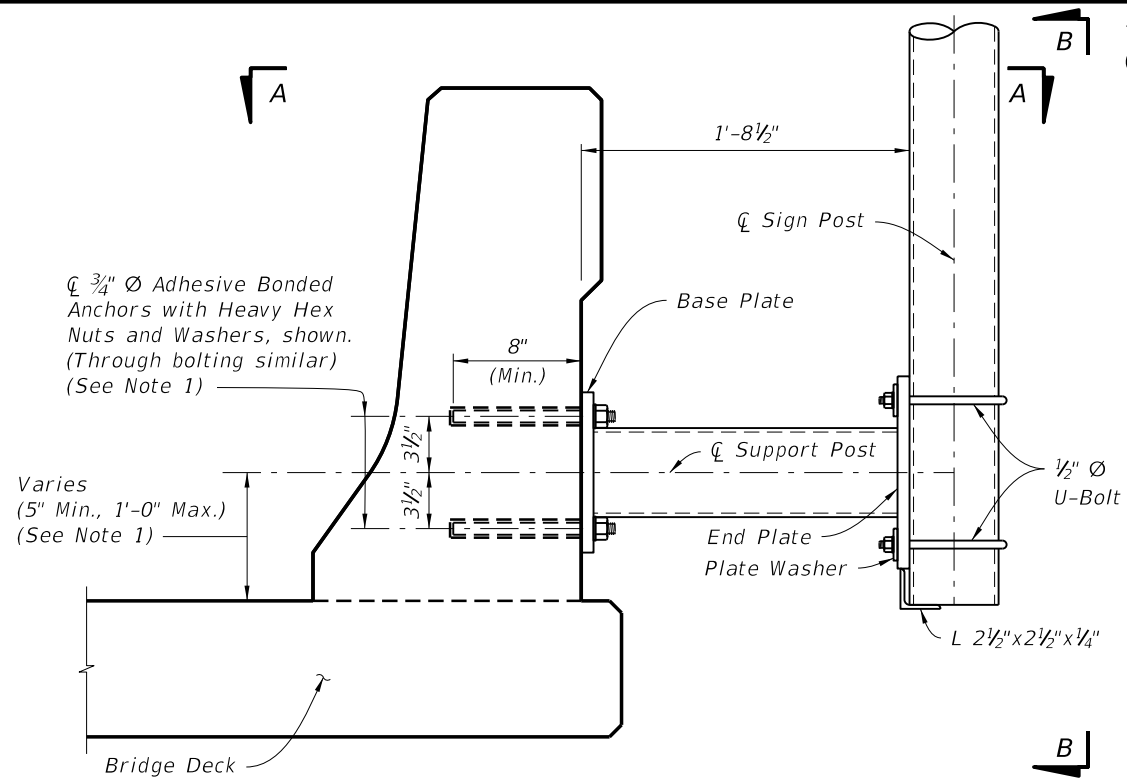
**Welding:** Weld in accordance with American Welding Society Structural Welding Code (Steel), ANSI/AWS D1.1 (current edition). Required weld material is E70XX. Nondestructive testing is not required.

SIGN LIMITATIONS TABLE		
MAX. WIND SPEED (MPH)	MAX. SIGN AREA (SF)	MAX. SIGN CENTROID HEIGHT (DIM. A + DIM. C)
110	30	9'-10"
130	25	9'-7"
150	20	9'-7"

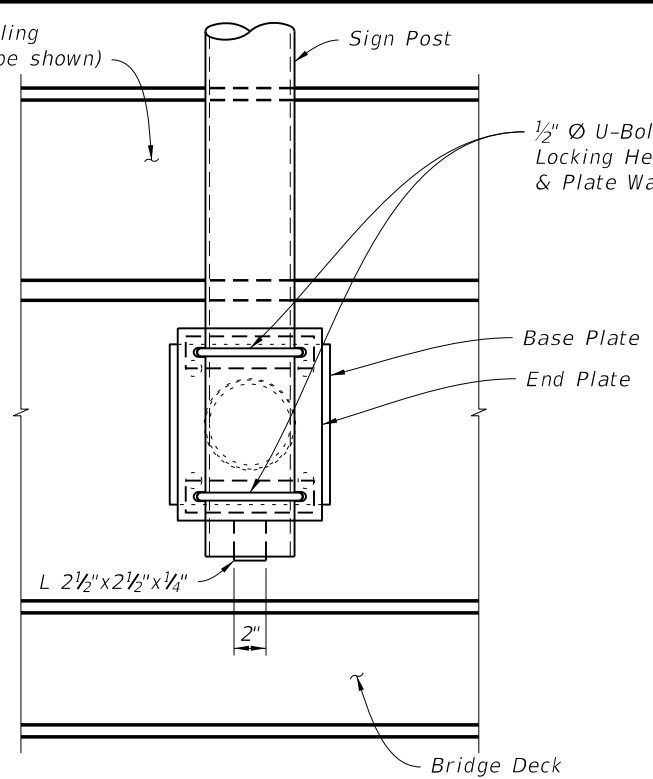
Dim. A = Distance from centerline of the Support Post to the bottom of the sign or sign cluster.

Dim. C = Vertical distance from the bottom of the sign or sign cluster to the Centroid of the sign or sign cluster.

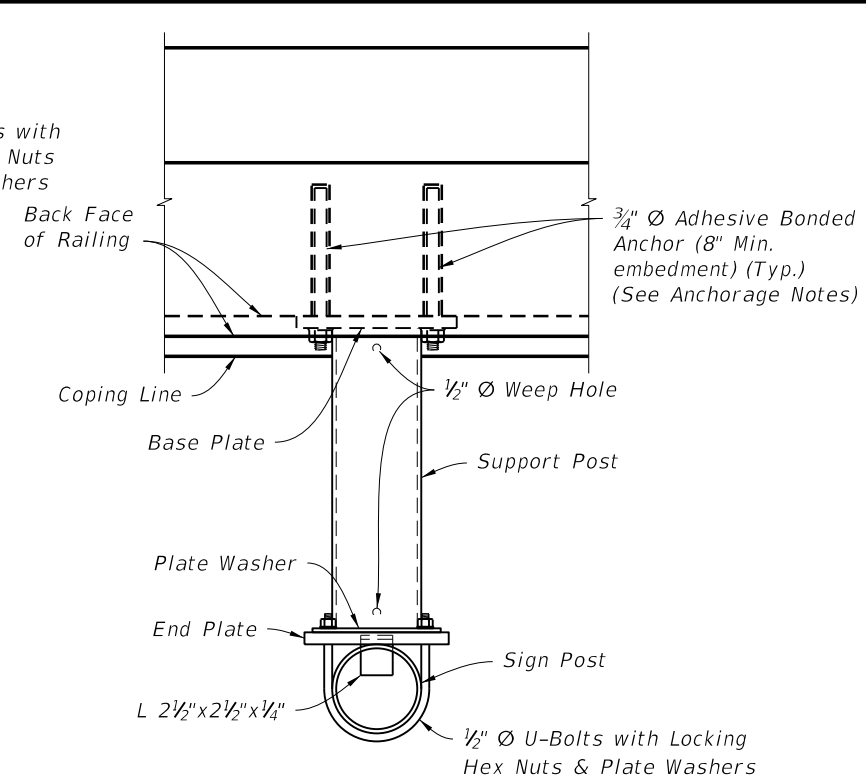
C:\projects\standards\structures\current\ready\4release\2014B00K\11870-2of2.dgn  
 sm970re  
 7:10:02 PM  
 6/24/2013



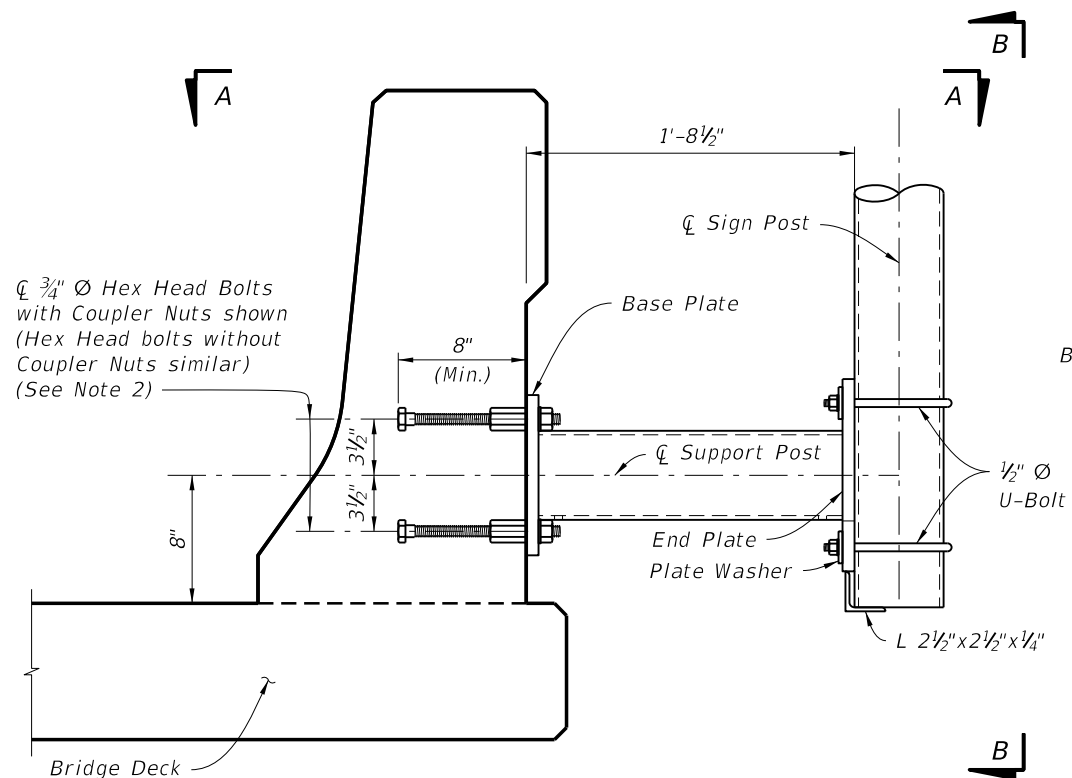
**TYPICAL SECTION THRU EXISTING TRAFFIC RAILING AT SIGN SUPPORT BRACKET**  
 (32" F-Shape Traffic Railing shown, other Traffic Ralings & Parapet similar)  
 (Bridge Deck shown, Approach Slab and Retaining Wall Similar)



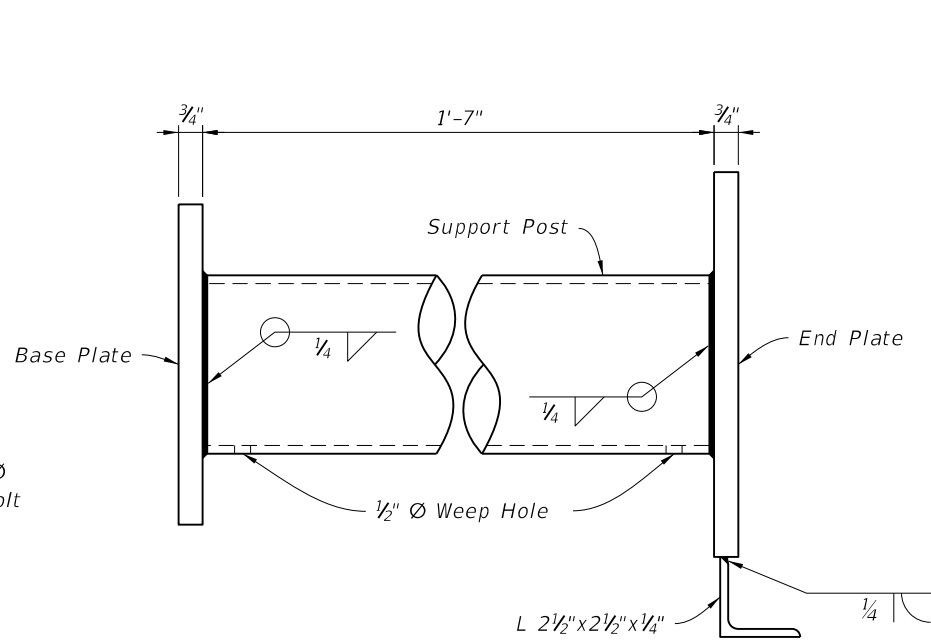
**VIEW B-B  
SIGN SUPPORT BRACKET**



**PLAN VIEW A-A  
SIGN SUPPORT BRACKET**



**TYPICAL SECTION THRU TRAFFIC RAILING AT SIGN SUPPORT BRACKET (NEW CONSTRUCTION)**  
 (32" F-Shape Traffic Railing shown, other Traffic Ralings & Parapet similar)  
 (Bridge Deck shown, Approach Slab and Retaining Wall Similar)



**SIGN SUPPORT WELDMENT DETAIL**

**ANCHORAGE NOTES:**

**1. Existing Traffic Railings:**

Locate existing conduit prior to drilling. Adjust placement as necessary to avoid existing conduit. Base plate must be flush with back of traffic railing. Maintain a minimum cover 2" from face of traffic railing to tip of Adhesive Anchor.

For concrete parapets less than 10" thick, through bolt 3/4" Ø Heavy Hex Head Bolts with Nuts and Washers in lieu of Adhesive Bonded Anchors. Bolt heads shall not protrude more than 1 1/2" beyond traffic face of railing.

**2. New Traffic Railings:**

Tie Anchor Bolts securely and use templates as necessary to maintain bolt spacing.

Optional Couplers are shown for slipforming; keep Anchor Bolt coupler threads free of concrete.

**CROSS REFERENCES:**

For Base Plate, End Plate & U-Bolt Plate Washer Details see Sheet 1.

LAST REVISION 07/01/12	REVISION	DESCRIPTION:	 <b>FDOT 2014 DESIGN STANDARDS</b>	<b>SINGLE POST BRIDGE MOUNTED SIGN SUPPORT</b>	INDEX NO. <b>11870</b>	SHEET NO. <b>2 of 2</b>
---------------------------	----------	--------------	--	--	---------------------------	----------------------------