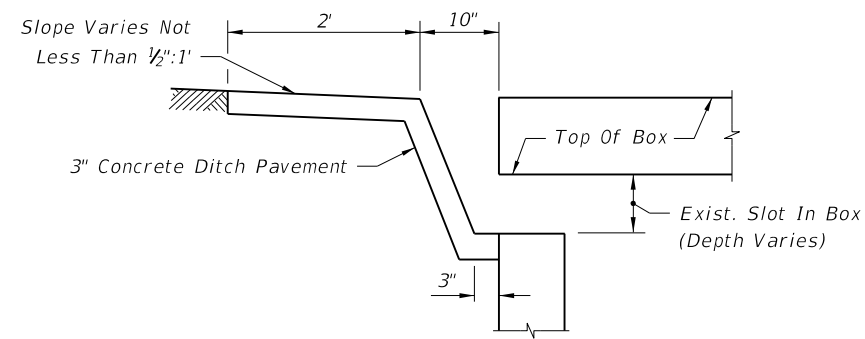
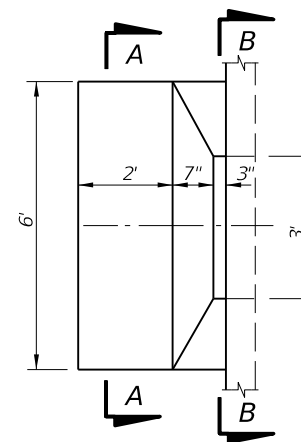


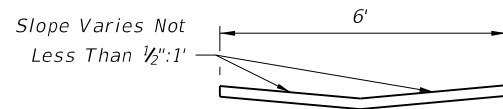
C:\projects\standards\roadway\02200-s\02293-01.dgn
 sm970re
 5:05:51 PM
 6/24/2013



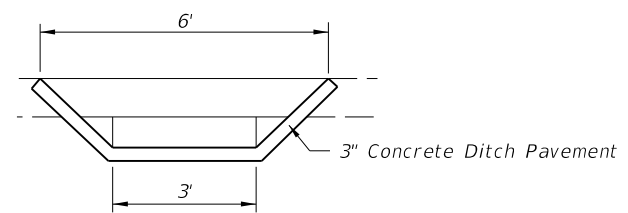
LONGITUDINAL SECTION



PLAN



SECTION AA



SECTION BB

SAFETY MODIFICATION FOR INLETS IN BOX CULVERTS

LAST REVISION	DESCRIPTION:
07/01/07	

REVISION	DESCRIPTION:



SAFETY MODIFICATIONS FOR INLETS IN BOX CULVERTS

INDEX NO.
293

SHEET NO.
1 of 1