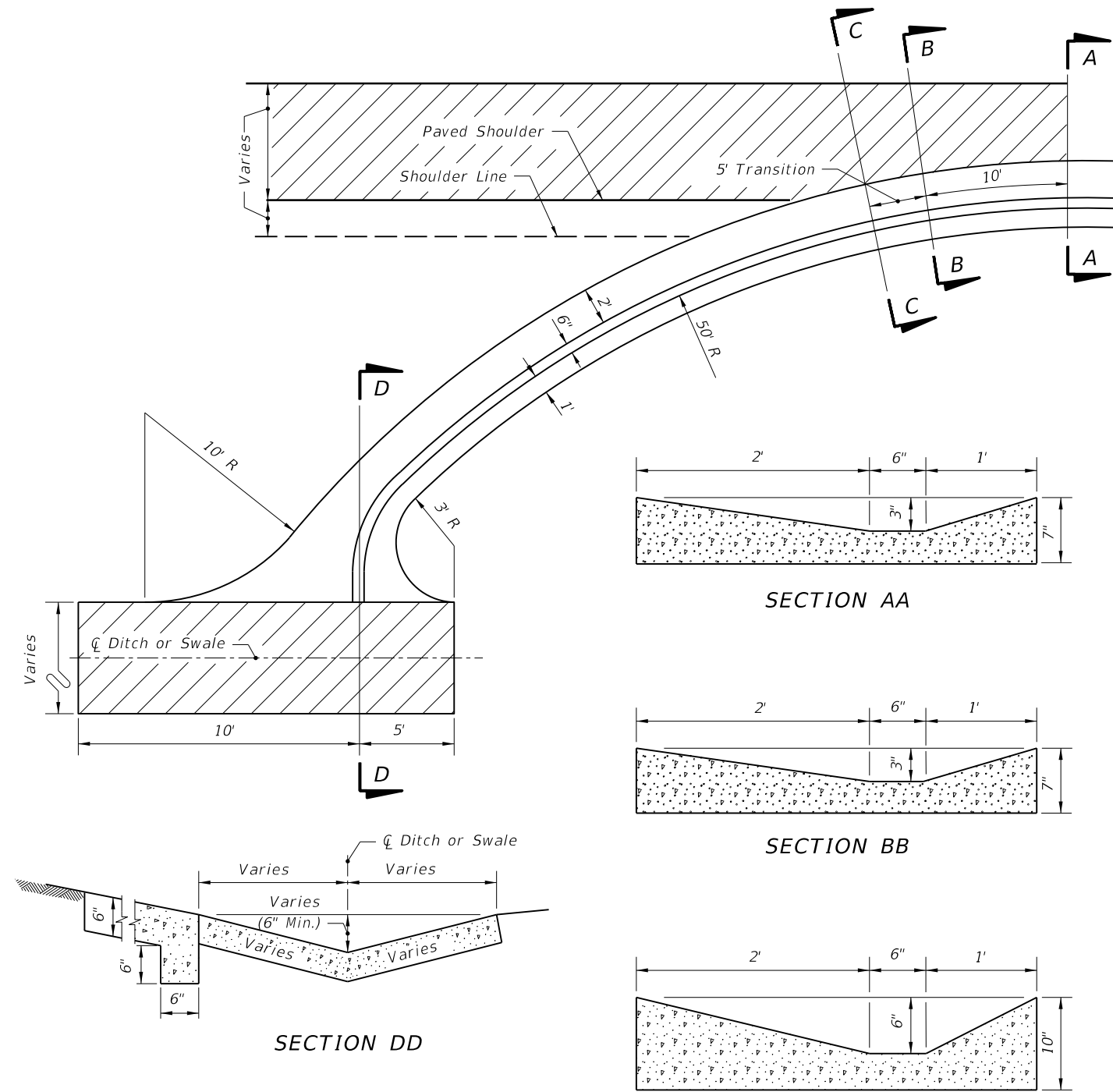


C:\projects\standards\roadway\02200-s\02284-01.dgn
 sm970re
 4:59:17 PM
 6/24/2013



1. Spillway to be paid for as Shoulder Gutter, L.F.
2. If spillway empties into an unpaved ditch, the detail should be modified as necessary.

DETAIL OF CONCRETE SPILLWAY AT END OF SHOULDER GUTTER
 (TO BE USED WHERE INLETS, PIPES & ENDWALLS ARE IMPRACTICAL)

LAST REVISION 07/01/09	REVISION	DESCRIPTION:	 FDOT 2014 DESIGN STANDARDS	CONCRETE SHOULDER GUTTER SPILLWAY	INDEX NO. 284	SHEET NO. 1 of 1
---------------------------	----------	--------------	---	--	-------------------------	----------------------------