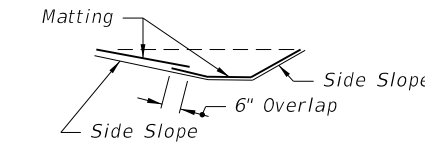
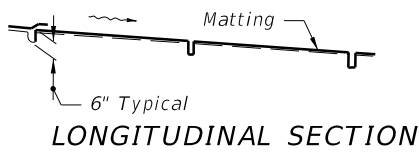
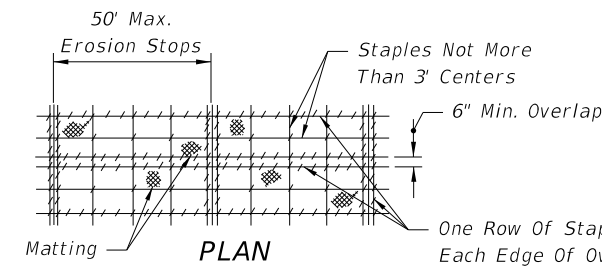
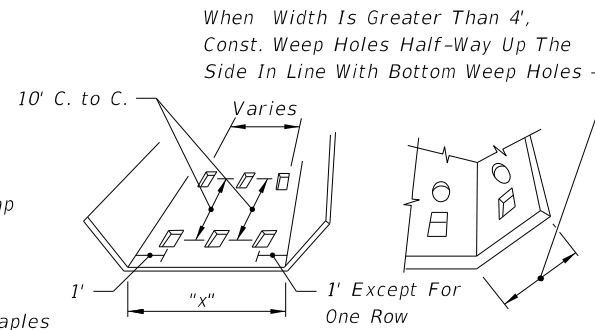


TO REPLACE:	W	d	R	Rows Of Weep Holes	Arc Length
6' Median Swale	6'	0.24'	19'	0	6.0'
<b>1:6 Front Slopes; 1:4 Back Slope</b>					
5' BW Ditch	10'	0.67'	19'	2	10.1'
4' BW Ditch	9'	0.54'	19'	2	9.1'
<b>1:4 Front Slopes &amp; Back Slope</b>					
5' BW Ditch	9'	0.74'	14'	2	9.2'
4' BW Ditch	8'	0.58'	14'	1 (in center)	8.1'

For use only where side slopes are 1:4 or flatter. Point "A" and "B" are to be the same elevation and should be used to locate the paved section.



SECTION MATTING FOR DITCH



When Width Is Greater Than 4', Const. Weep Holes Half-Way Up The Side In Line With Bottom Weep Holes

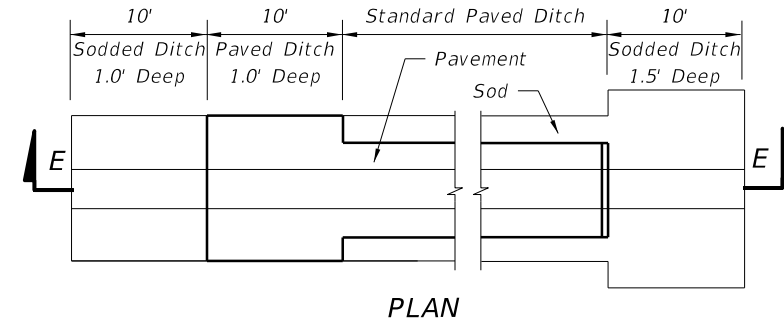
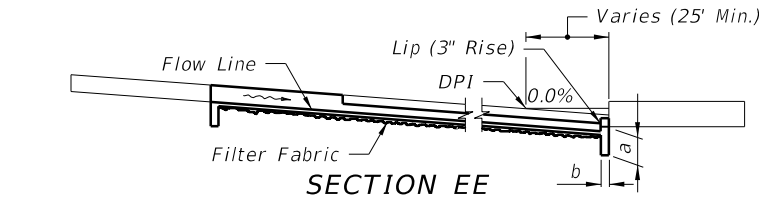
10' C. to C. Varies

1' Except For One Row

When "x" = 1' To 4' Const. 1 Row (Centered)  
 "x" = 5' To 7' Const. 2 Rows  
 "x" = 8' To 12' Const. 3 Rows  
 "x" = 13' To 17' Const. 4 Rows  
 "x" = 18' To 22' Const. 5 Rows

Note: All weep holes to be 3"x4" rectangle or 4" or 5" dia. circle hole. 1/2 cu. ft. (12" x 12" x 6") of No. 6 aggregate to be placed under each hole. 1 sq. ft. of galv. wire mesh (1/4" openings) shall be placed between the aggregate and the concrete. Cost of holes, aggregate and wire mesh to be included in the cost of ditch pavement.

WEEP HOLE ARRANGEMENT

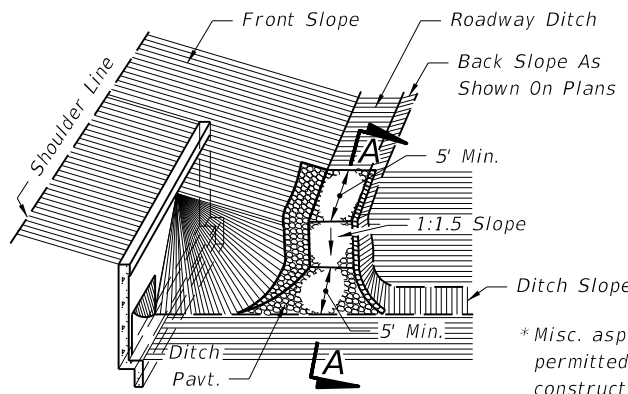


PAVED DITCH END TREATMENT

GENERAL NOTES

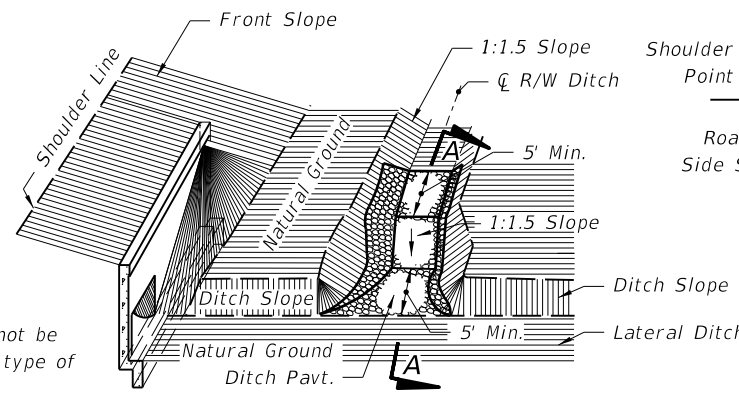
- Type of ditch pavement shall be as shown on plans.
- In concrete ditch pavement, contraction joints are to be spaced at 25' maximum intervals, or as directed by the Engineer. Contraction joints may be either formed (construction joint) or tooled. No open joints will be permitted in concrete ditch pavement.  
  
Expansion joints with 1/2" preformed joint filler shall be constructed at all inlets, endwalls, and at intervals of not more than 200'.
- Lip at end of ditch pavement shall normally be located downstream of DPI or on flatter grades where there is a decrease in ditch velocity.
- Toewalls are to be used with all ditch paving. A toewall is not required adjacent to drainage structures.
- When directed by the Engineer, weep hole spacing may be reduced to 5' minimum.
- For junction of R/W ditch spillway and lateral ditch, sides of paving to be 1' high minimum.
- For ditch pavements requiring filter fabric, the fabric shall be placed directly beneath the pavement for the entire length and width of the pavement. When weep holes with aggregate are used, the filter fabric shall be placed below the aggregate to form a mat continuous with or underlapping the pavement fabric. (See Index No. 199 for fabric type and application).
- Ditch pavement requiring reinforcement shall be detailed in the plan.
- Cost of plastic filter fabric to be included in the contract unit price for ditch pavement.
- Sodding to be paid for under contract unit price for Performance Turf, SY

ALTERNATE DITCH PAVEMENT

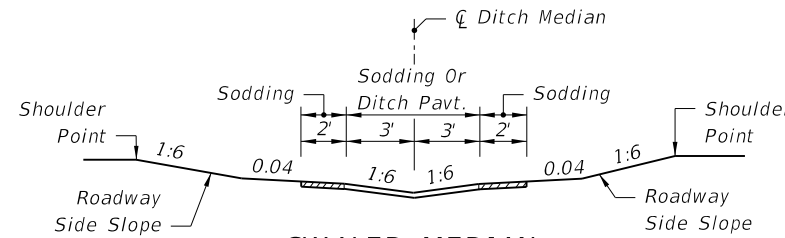


JUNCTION OF ROADWAY DITCH\* AND LATERAL DITCH

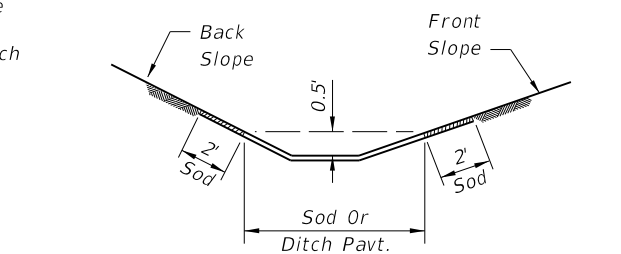
\*Misc. asphalt will not be permitted for this type of construction.



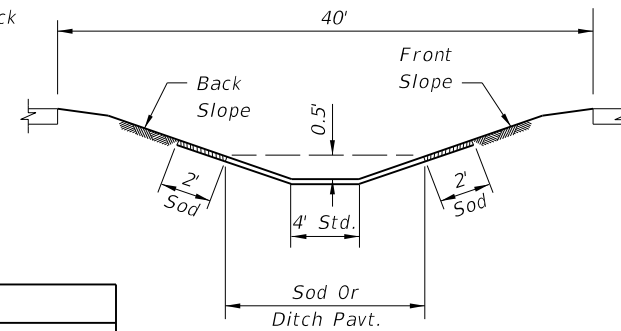
JUNCTION OF R/W DITCH\* AND LATERAL DITCH



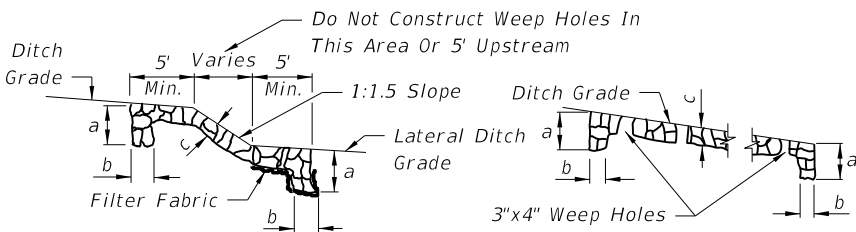
SWALED MEDIAN (No Weep Holes)



ROADWAY SIDE DITCH

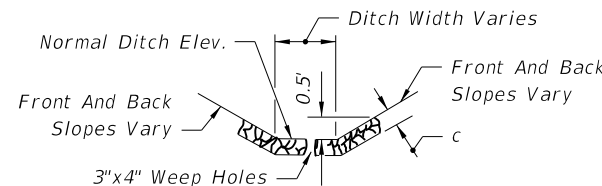


40' MEDIAN



SECTION AA

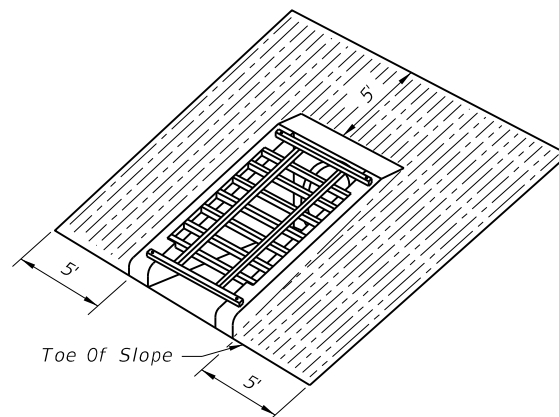
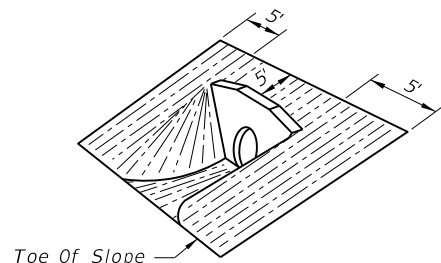
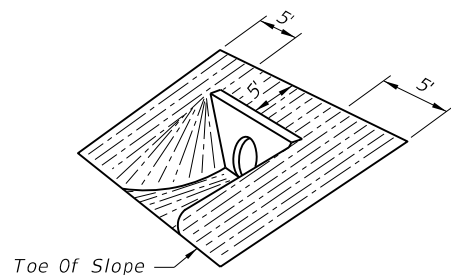
PROFILE OF DITCH PAVEMENT AT LOCATIONS OTHER THAN JUNCTION WITH LATERAL DITCH



TYPICAL SECTION

Pavement Type	Dimensions			Payment Unit	Basis Of Estimate	Filter Fabric Type	Velocity Range	References & Remarks
	a	b	c					
Concrete	24"	6"	3"	SY	SY	D-6	Low-High	Section 524 of the Standard Specifications.
Miscellaneous Asphalt	24"	12"	4"	TN	0.2 TN/SY	None	Low-Moderate	Section 339.
Riprap (Sand-Cement)	24"	12"	4"	CY	0.11 CY/SY	D-4	Low-Moderate	Section 530. Grouting of joints required.
Riprap (Ditch Lining)				TN	TN	D-2	Moderate-High	Section 530.

C:\projects\standards\roadway\02200-s-00281-01.dgn smg70re 4:57:55 PM 6/24/2013

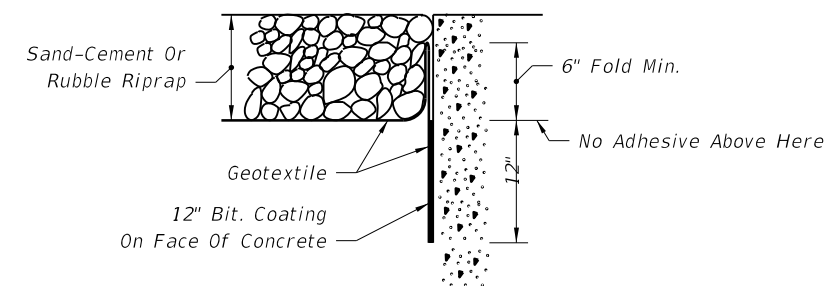


Note: Sodding quantities for each endwall to be determined by the designer from this detail.

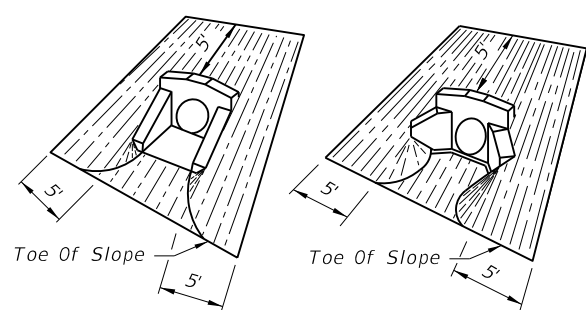
(EXCEPT INDEX NO. 250)  
STRAIGHT ENDWALL

STRAIGHT ENDWALL  
INDEX NO. 250

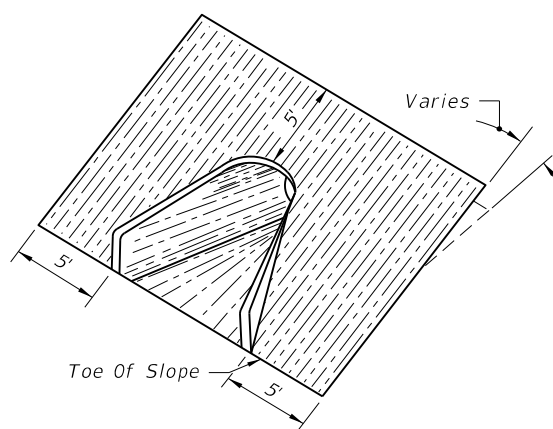
U-TYPE ENDWALL  
INDEX NO. 261



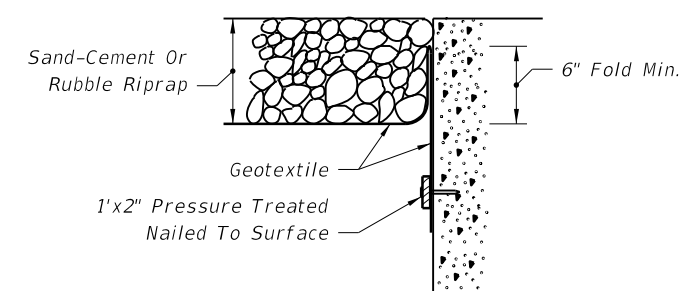
BONDED OPTION



U-TYPE WINGS      45° WINGS  
WINGED ENDWALLS  
INDEX NO. 266



FLARED END SECTION  
INDEX NO. 270



NAILED OPTION

Note: Either option may be used unless otherwise called for in the plans.

GEOTEXTILE PLACEMENT AT CONCRETE STRUCTURE

SOD QUANTITIES (SY)																					
PIPE SIZE	INDEX NO. 250												INDEX NO. 261				INDEX NO. 266				INDEX NO. 270
	SLOPE												SLOPE				SLOPE				ALL SLOPES
	1:2			1:3			1:4			1:6			1:2	1:3	1:4	1:6	1:2	1:3	1:4	1:6	
	PIPES												PIPES				PIPES				PIPES
1	2	3	1	2	3	1	2	3	1	2	3	1	1	1	1	1	1	1	1	1	
12"																14	15	18	22	10	
15"	19	21	24	22	26	29	26	30	33	34	38	43	13 (15)	16	17	23	15	17	20	25	11
18"	21	24	27	25	29	33	30	34	38	39	44	50	14 (16)	17	19	25	16	18	22	28	11
21"																					12
24"	26	30	34	32	37	42	38	44	50	50	58	66	15 (17)	19	21	28	19	22	26	34	14
27"																					15
30"	31	37	42	39	46	53	46	55	63	62	74	85	17 (18)	21	24	32	21	25	30	40	16
36"	37	44	52	46	56	65	56	67	79	76	91	107					24	29	35	47	18
42"	43	53	62	55	67	79	67	82	96	91	111	132					27	32	39	54	19
48"	50	62	73	64	79	93	78	97	115	108	133	158					30	36	44	61	21
54"	57	71	85	74	92	110	91	113	136	126	157	188									21
60"																					22
66"																					25
72"																					26

(1) Endwall With Baffles

SOD

6/24/2013 4:57:57 PM sm970re C:\projects\standards\roadway\02200-s\02281-02.dgn