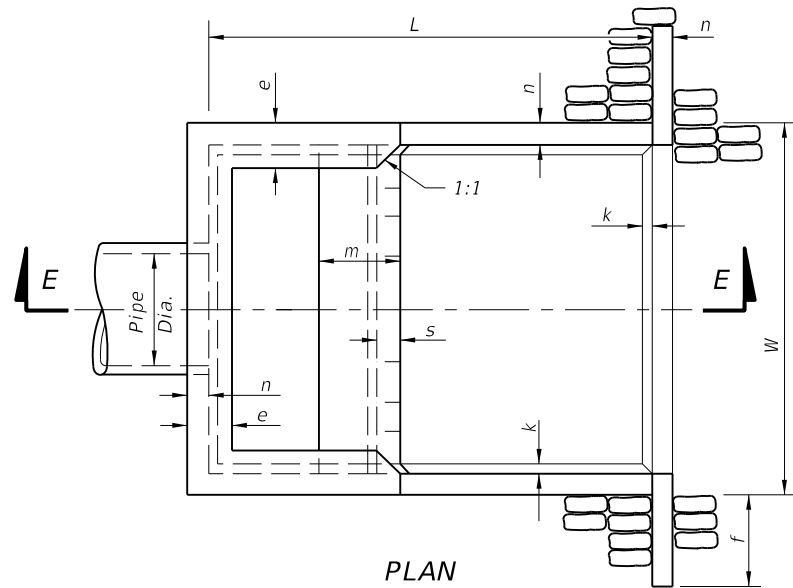
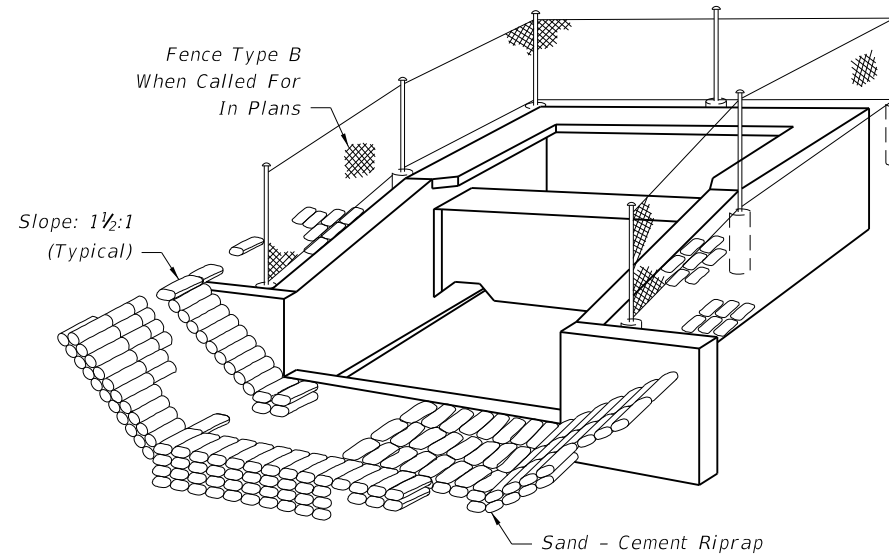


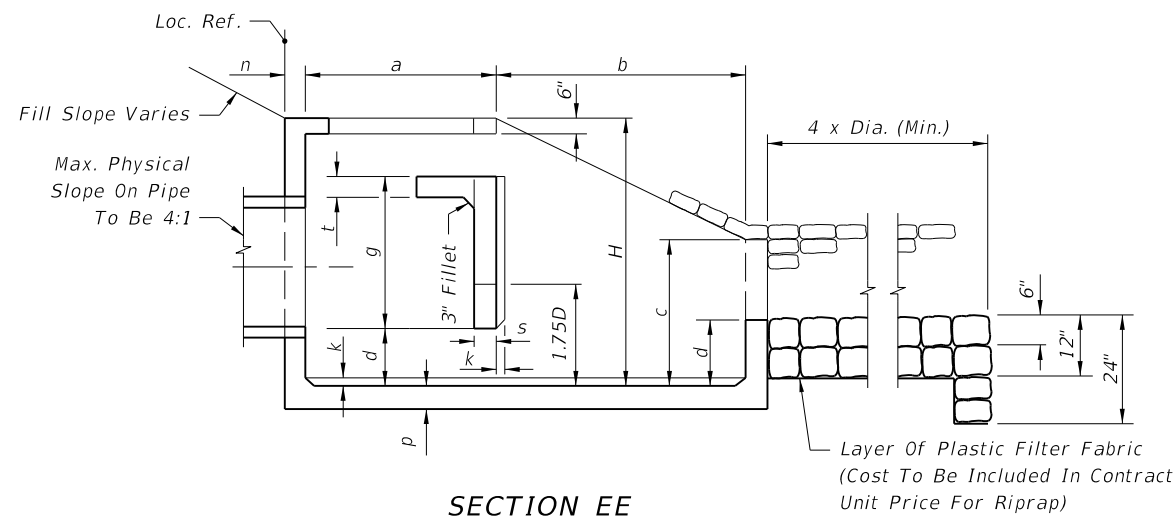
C:\projects\standards\roadway\0200-s\0264-01.dgn  
 smg70re  
 4:53:29 PM  
 6/24/2013



PLAN



PERSPECTIVE



SECTION EE

GENERAL NOTES

1. U-type concrete endwall energy dissipators are intended for use outside the clear zone.
2. Chamfer all exposed edges  $\frac{3}{4}$ ".
3. Concrete shall be Class I, except ASTM C478 (4000 psi) concrete may be substituted for precast items manufactured in plants meeting the requirements of Section 449 of the Specifications.
4. Reinforcing steel shall have 2" min. cover.
5. Endwall to be paid for under the contract unit price for Class I Concrete (Endwalls), CY and Reinforcing Steel (Roadway), LB. Riprap to be paid for under the contract unit price for Riprap (Sand-Cement) (Roadway), CY. Cost of plastic filter fabric to be included in the contract unit price for riprap.
6. Fencing, when called for in the plans, to be paid for under the contract unit price for Fencing, Type B, LF. See Index No. 802 for details of Type B fencing.

Pipe Size		Q (Max) (cfs)	Dimensions														Concrete Class I (CY)	Reinf. Steel (lb)	Sand-Cement Riprap (Nom.) (CY)		
Dia. (in)	Area (SF)		Feet - Inches										Inches								
			W	H	L	a	b	c	d	e	f	g	m	n	p	s				t	k
30	4.91	59	9-0	6-3	10-8	4-7	6-1	3-4	1-4	1-2	2-6	3-0	1-11	6	6 1/2	7	7	3	6.72	736	10.6
36	7.07	85	10-5	7-3	12-4	5-3	7-1	3-10	1-7	1-3	3-0	3-6	2-3	7	7 1/2	8	8	3	10.34	1,072	13.6
42	9.62	115	11-10	8-0	14-0	6-0	8-0	4-5	1-9	1-6	3-0	3-11	2-6	8	8 1/2	9	8	4	14.82	1,429	17.5
48	12.57	151	13-3	9-0	15-8	6-9	8-11	4-11	2-0	1-7	3-0	4-5	2-10	9	9 1/2	10	8	4	20.36	2,000	22.1
54	15.90	191	14-8	9-9	17-4	7-4	10-0	5-5	2-2	1-10	3-0	4-11	3-0	10	10 1/2	10	8	4	27.19	2,659	27.2
60	13.63	236	16-1	10-9	19-0	8-0	11-0	5-11	2-5	1-11	3-0	5-4	3-4	11	11 1/2	11	8	6	34.49	3,552	32.5
66	23.76	285	17-3	11-6	20-6	8-8	11-10	6-5	2-7	2-1	3-0	5-9	3-7	12	12 1/2	12	8	6	42.82	4,472	38.3
72	28.27	339	18-6	12-3	22-0	9-3	12-9	6-11	2-9	2-3	3-0	6-2	3-9	12	12 1/2	12	8	6	50.68	5,426	44.5

LAST REVISION  
07/01/09

REVISION

DESCRIPTION:



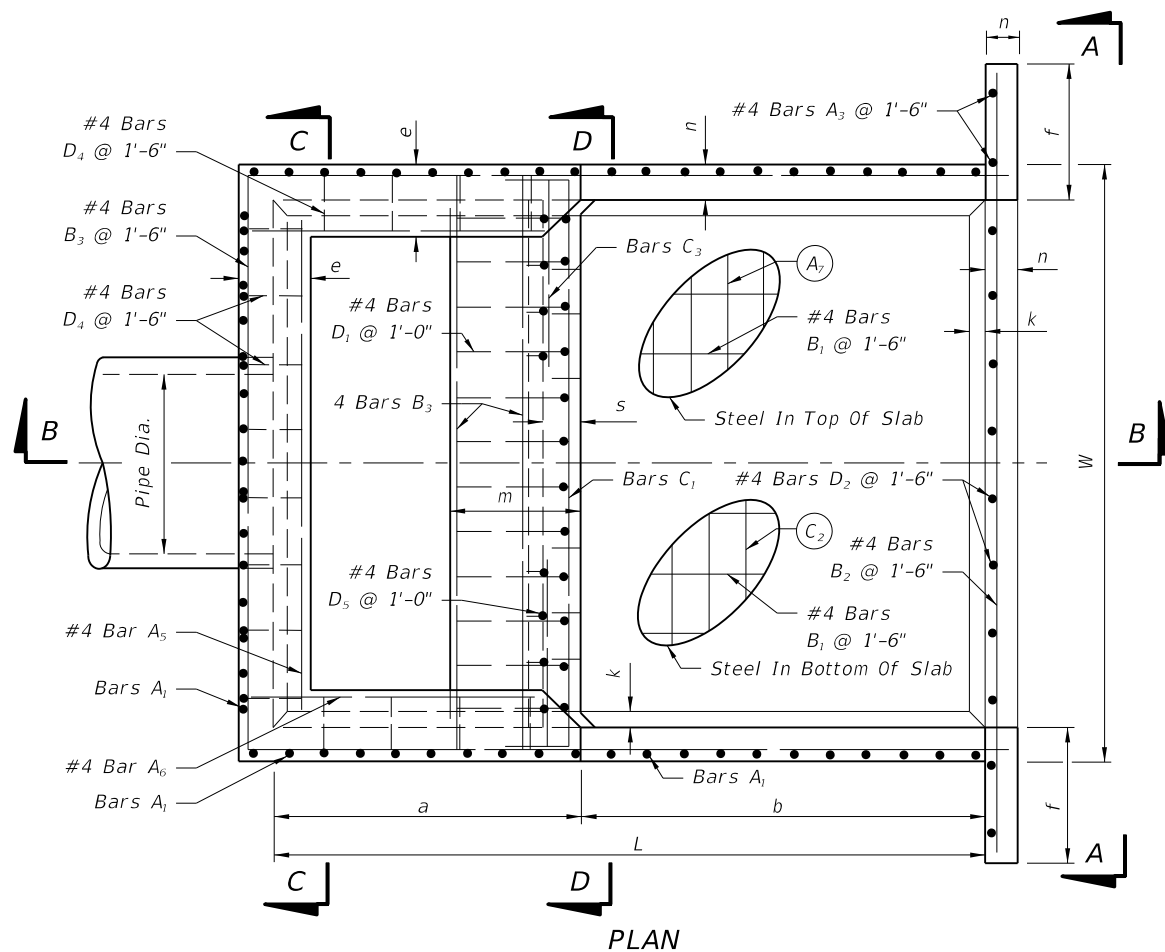
FDOT 2014  
DESIGN STANDARDS

U-TYPE CONCRETE ENDWALL  
ENERGY DISSIPATOR 30" TO 72" PIPE

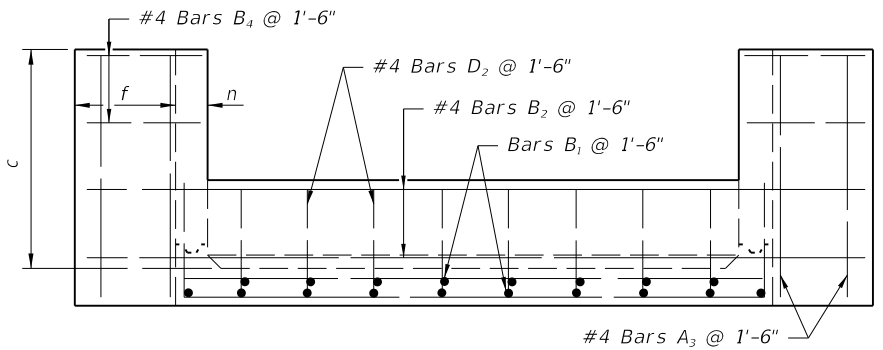
INDEX NO.  
264

SHEET NO.  
1 of 2

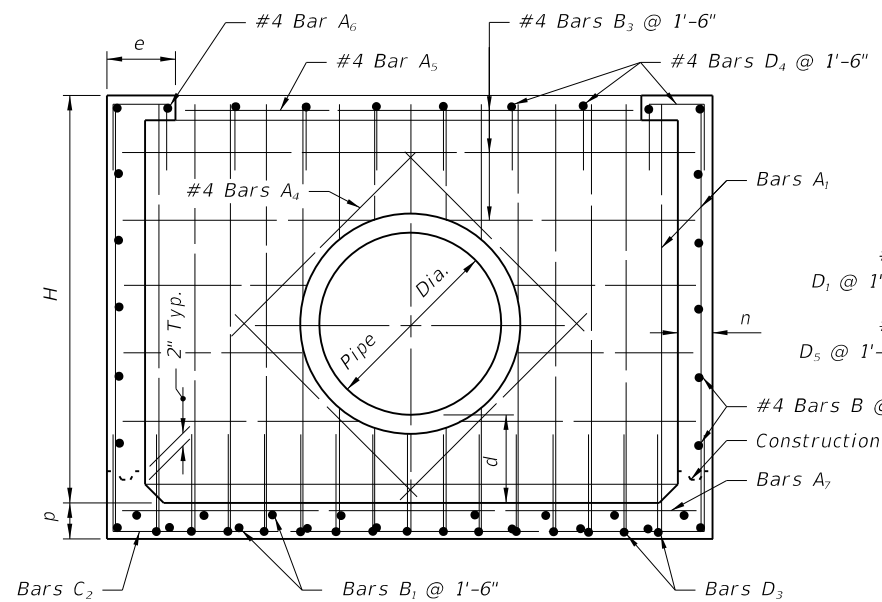
6/24/2013 4:53:31 PM sm970re C:\projects\standards\roadway\02200-s\02264-02.dgn



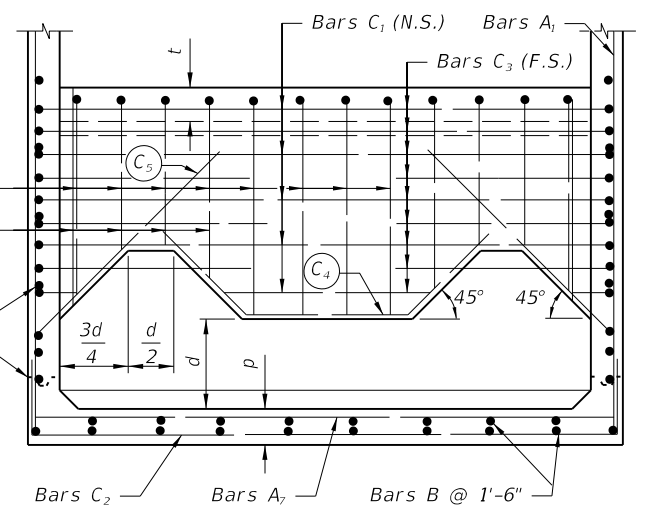
PLAN



SECTION AA

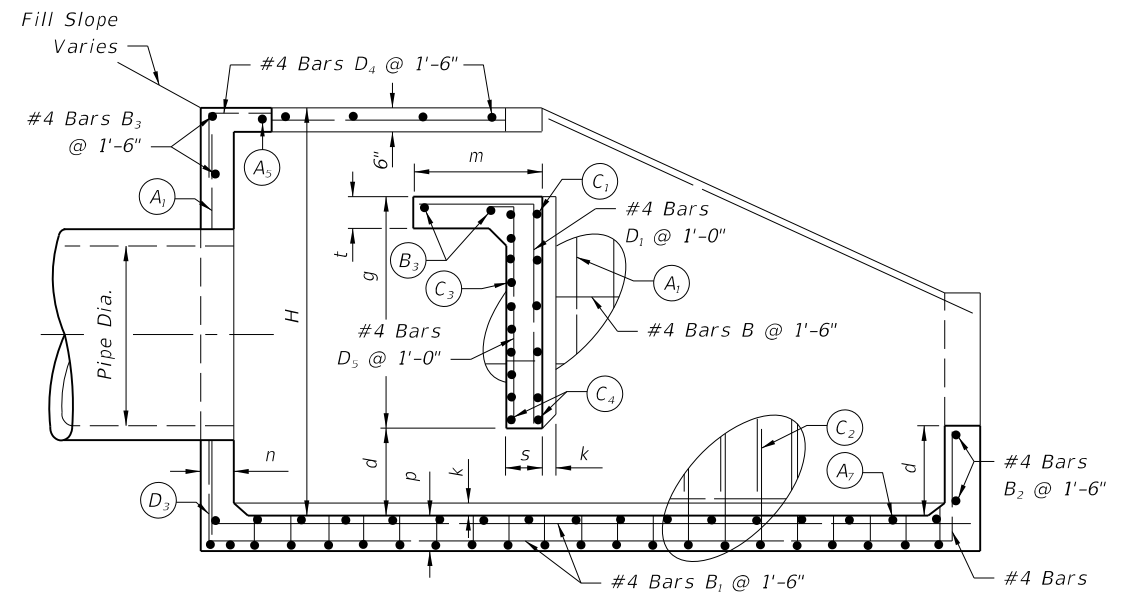


SECTION CC

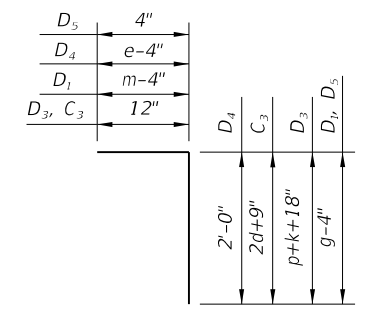


SECTION DD

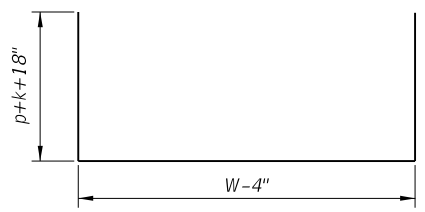
Note: Bars C<sub>4</sub> & C<sub>5</sub> (N.S. & F.S.) equivalent in size to C<sub>3</sub> (cut and bend as required)



SECTION BB



Bars: C<sub>3</sub>, D<sub>1</sub>, D<sub>3</sub>, D<sub>4</sub>, D<sub>5</sub>



Bar C<sub>2</sub>

Note: All bar dimensions are out to out.  
BENDING DIAGM

Pipe Size	A <sub>1</sub>		A <sub>7</sub>		C <sub>1</sub>		C <sub>2</sub>		C <sub>3</sub>		D <sub>3</sub>	
	Size (No.)	Spacing (Ft.-In.)	Size (No.)	Spacing (Ft.-In.)	Size (No.)	Spacing (Ft.-In.)	Size (No.)	Spacing (Ft.-In.)	Size (No.)	Spacing (Ft.-In.)	Size (No.)	Spacing (Ft.-In.)
30"	4	0-9½	4	1-6	5	0-11	4	0-9½	5	0-5½	4	0-9½
36"	5	1-0	4	1-6	5	0-10	5	1-0	5	0-5	5	1-0
42"	5	0-11	4	1-6	6	1-1	5	0-11	6	0-6½	5	0-11
48"	5	0-9½	4	1-0	6	1-0	5	0-9½	6	0-6	5	0-9½
54"	5	0-8½	4	0-10	7	1-1	5	0-8½	7	0-6½	5	0-8½
60"	6	0-10	5	1-1	7	1-0	6	0-10	7	0-6	6	0-10
66"	6	0-8½	5	0-11½	7	0-11	6	0-8½	7	0-5½	6	0-8½
72"	6	0-7½	5	0-10	7	0-10	6	0-7½	7	0-5	6	0-7½

Note: Bars A<sub>2</sub>, A<sub>3</sub>, A<sub>4</sub>, A<sub>5</sub>, A<sub>6</sub>, B<sub>1</sub>, B<sub>2</sub>, B<sub>3</sub>, B<sub>4</sub>, B are straight bars.