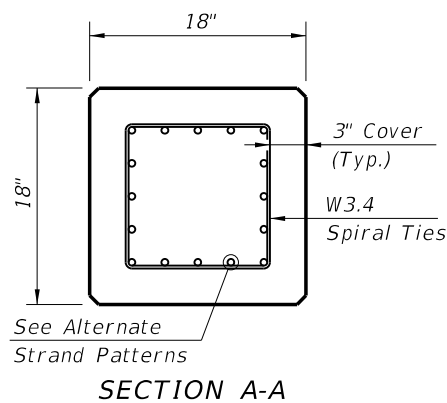


ELEVATION

** See Note No. 4 on Index No. 20601

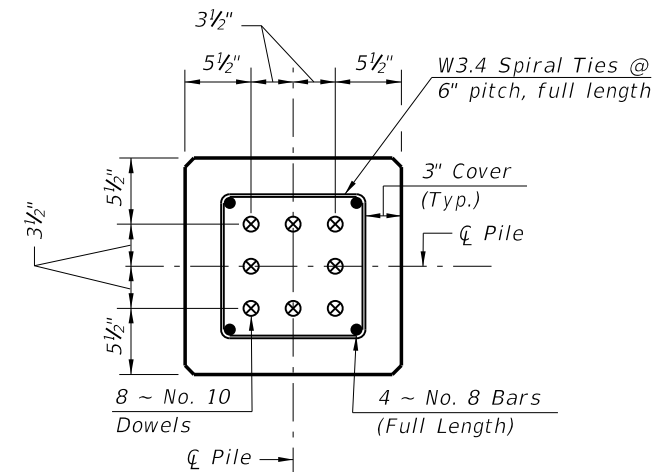
ALTERNATE STRAND PATTERNS

- 12 ~ 0.6" Ø, Grade 270 LRS, at 35 kips
- 12 ~ 1/2" Ø (Special), Grade 270 LRS, at 34 kips
- 16 ~ 1/2" Ø, Grade 270 LRS, at 26 kips
- 20 ~ 7/16" Ø, Grade 270 LRS, at 21 kips
- 24 ~ 3/8" Ø, Grade 270 LRS, at 17 kips



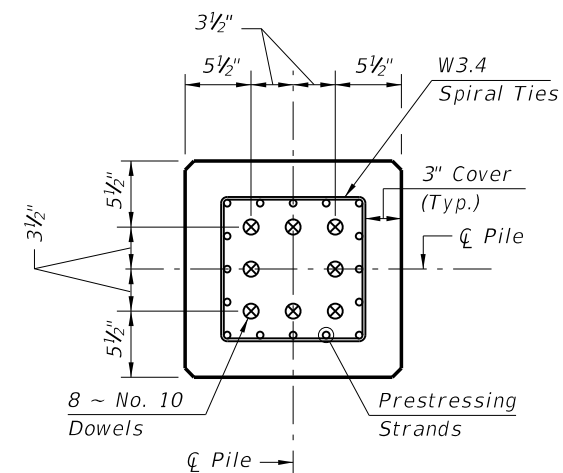
NOTES:

1. Work this Index with Index No. 20600 - Notes and Details for Square Prestressed Concrete Piles and Index No. 20601 - Square Prestressed Concrete Pile Splices.
2. Any of the given Alternate Strand Patterns may be utilized. The strands shall be located as follows:
Place one strand at each corner and place the remaining strands equally spaced between the corner strands.
The total strand pattern shall be concentric with the nominal concrete section of the pile.



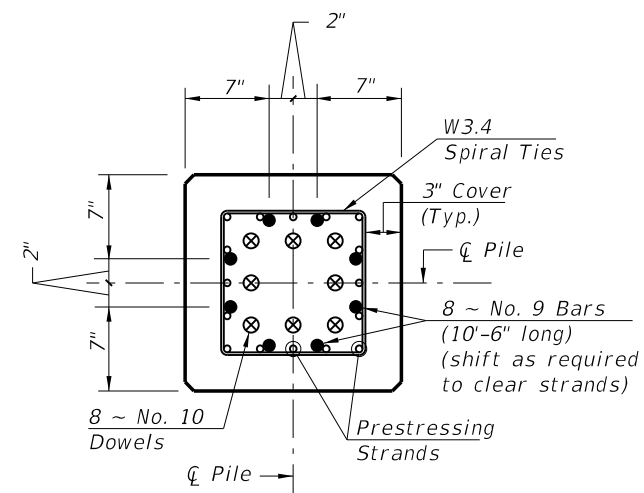
SECTION D-D

(See Nondrivable Unforeseen Reinforced Precast Splice Detail)



SECTION E-E

(See Drivable Prestressed Precast Splice Detail)



SECTION F-F

(See Drivable Preplanned Splice Detail)

PILE SPLICE REINFORCEMENT DETAILS

C:\projects\standards\structures\2013book\20618-1of1.dgn rd960rh 1:02:31 PM 6/29/2012

LAST REVISION	01/01/12	DESCRIPTION:		FDOT DESIGN STANDARDS 2013	18" SQUARE PRESTRESSED CONCRETE PILE	INDEX NO.	SHEET NO.
						20618	1