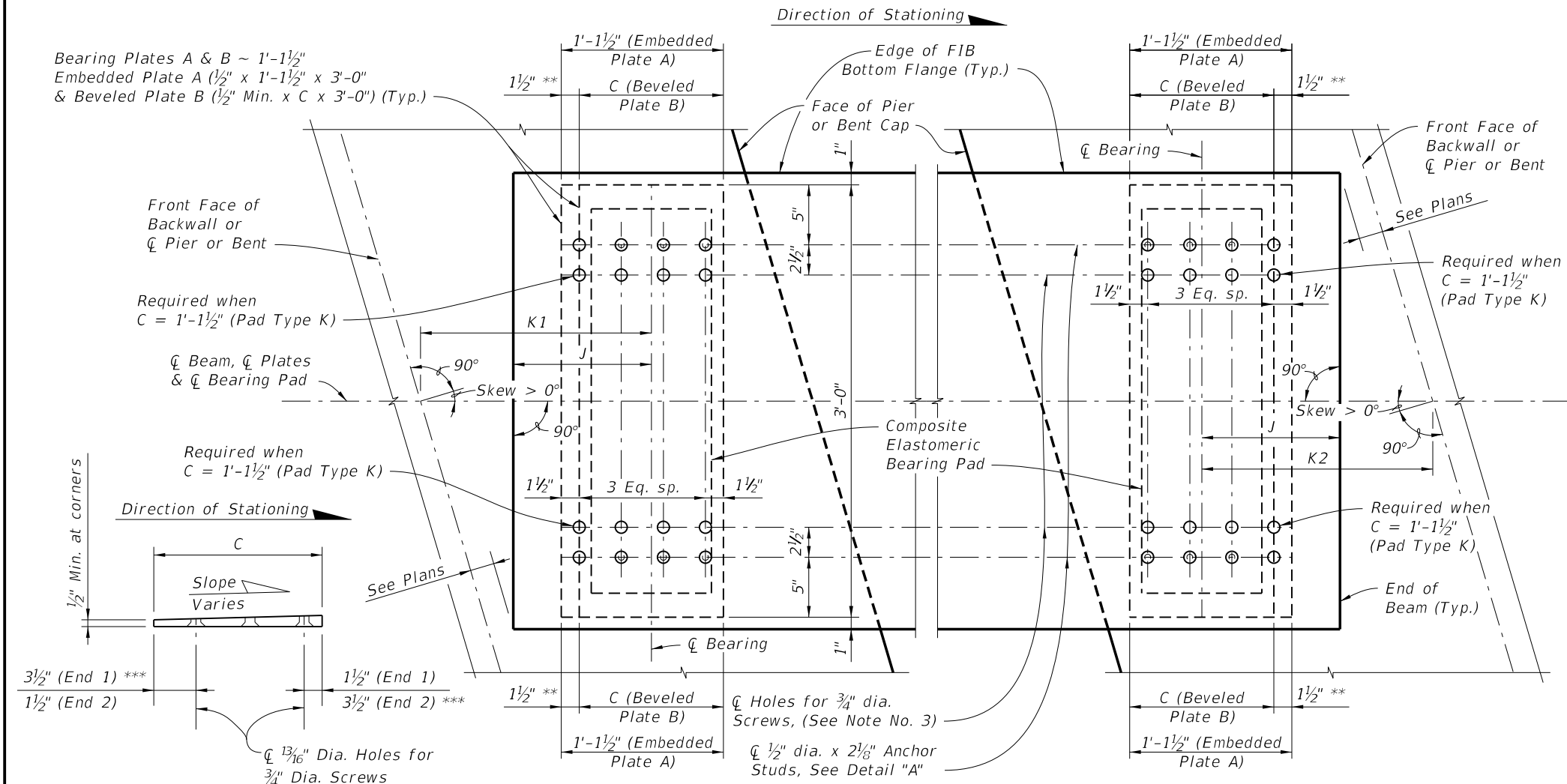


6/28/2012 12:57:59 PM r0960rh C:\p\projects\standards\structures\2013book\20512-1of2.dgn

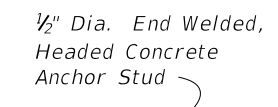


NOTES:

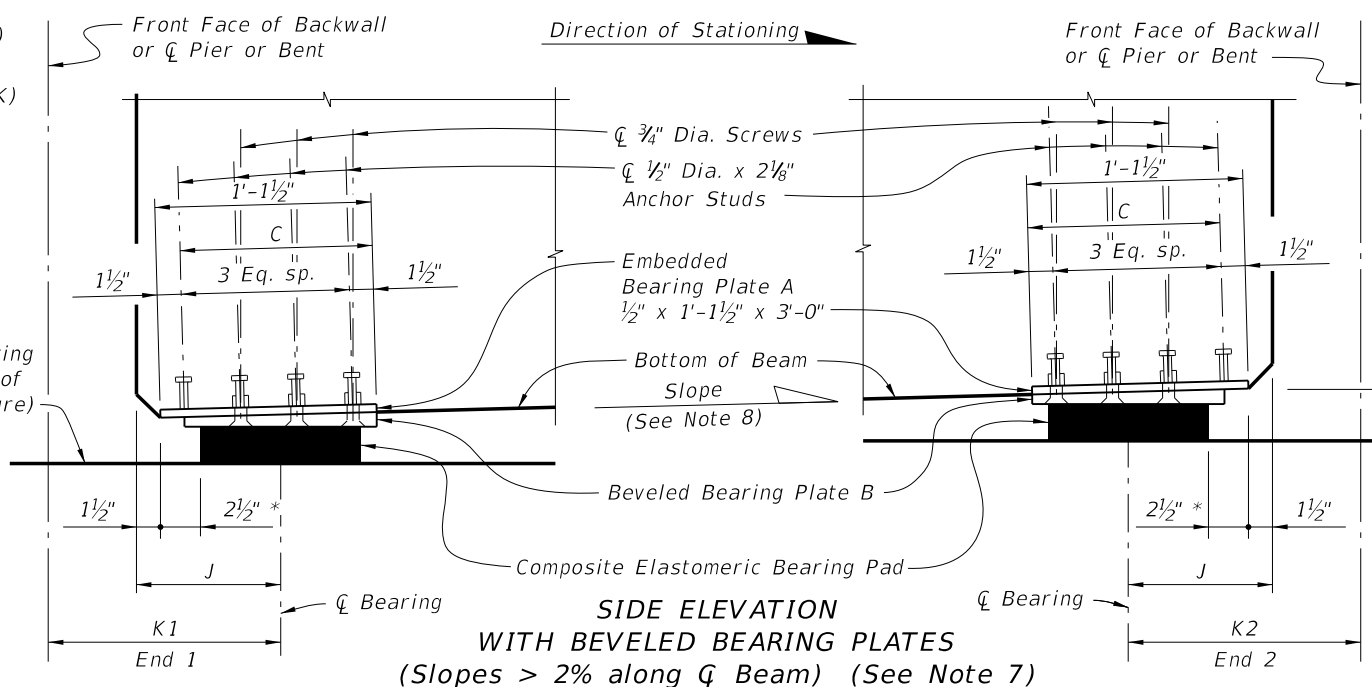
1. Work this sheet with Index No. 20510 - Composite Elastomeric Bearing Pads, and 'BEARING PLATE DATA TABLE' in the Structures Plans.
2. Embedded Bearing Plates A are required for all Florida-I beams. Beveled Bearing Plates B with Embedded Bearing Plates A are required for beams as scheduled in the 'BEARING PLATE DATA TABLE' in the Structures Plans.
3. Bearing plate material shall conform to ASTM A36 or ASTM A709 (Grade 36 or 50). Headed Concrete Anchor Studs shall conform to Specification Section 502. Hot-dip galvanize Bearing Plates A & B after fabrication except that Galvanized Caps may be welded in place after hot-dip galvanizing. Drill Bearing Plates A and B as an assembled unit, thread Bearing Plate A only. Holes are not required in Plate A when Plate B is not required. Drill and thread holes perpendicular to the bottom of Plate B and prior to plates being galvanized (ASTM A 123).
4. Provide Electroplated, Flat Countersunk Head Cap Screws in accordance with ASTM F 835. Electroplating shall be ASTM B633, SC 2, Type 1. Provide screws long enough to maintain a 3/4" minimum embedment into Embedded Bearing Plate A and Galvanized Cap. Provide steel Galvanized Caps with 1/2" Min. to 1 1/2" Max. height and nominal 1" inside diameter.
5. Include the cost of Bearing Plates in the pay item for Prestressed Beams.
6. For Pad Type and Dimension C, see the 'BEARING PLATE DATA TABLE' in the Structures Plans. For Dimensions J, K1 and K2, see 'TABLE OF BEAM VARIABLES' in the Structures Plans.
7. All details and dimensions shown are along \bar{C} Beam. Positive Slope shown, Negative Slope similar.
8. Slope is determined along \bar{C} Beam at \bar{C} Bearing. See 'BEARING PLATE DATA TABLE' in the Structures Plans for Slope.

**BEVELED BEARING PLATE B
(Along \bar{C} Beam)
(Positive Slope shown;
Negative Slope similar)**

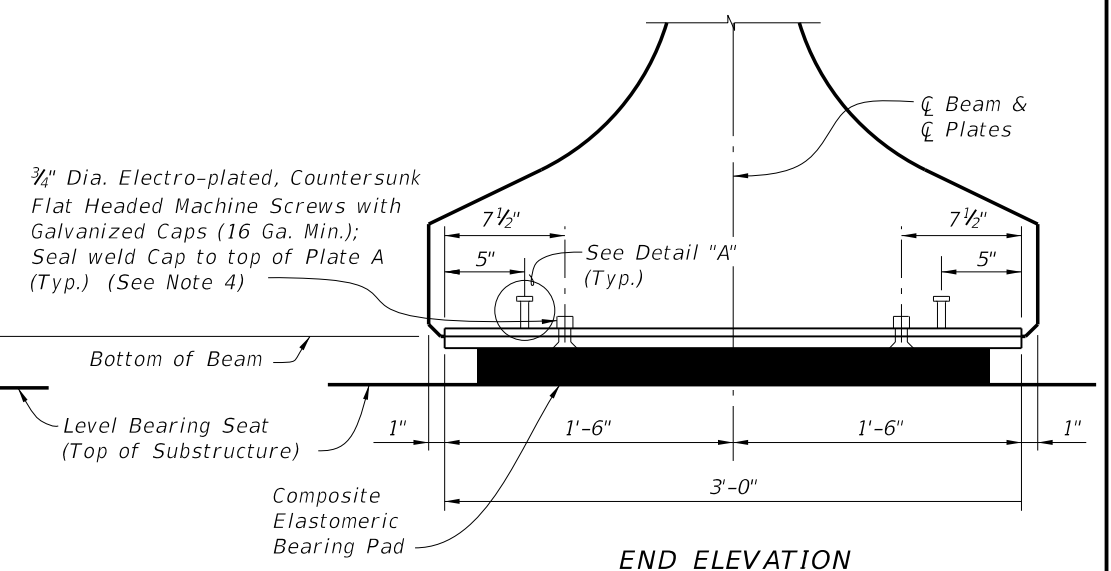
- * 1/2" when C = 1'-1 1/2" (Pad Type K)
- ** 0" when C = 1'-1 1/2" (Pad Type K)
- *** 1 1/2" when C = 1'-1 1/2" (Pad Type K)



DETAIL "A"

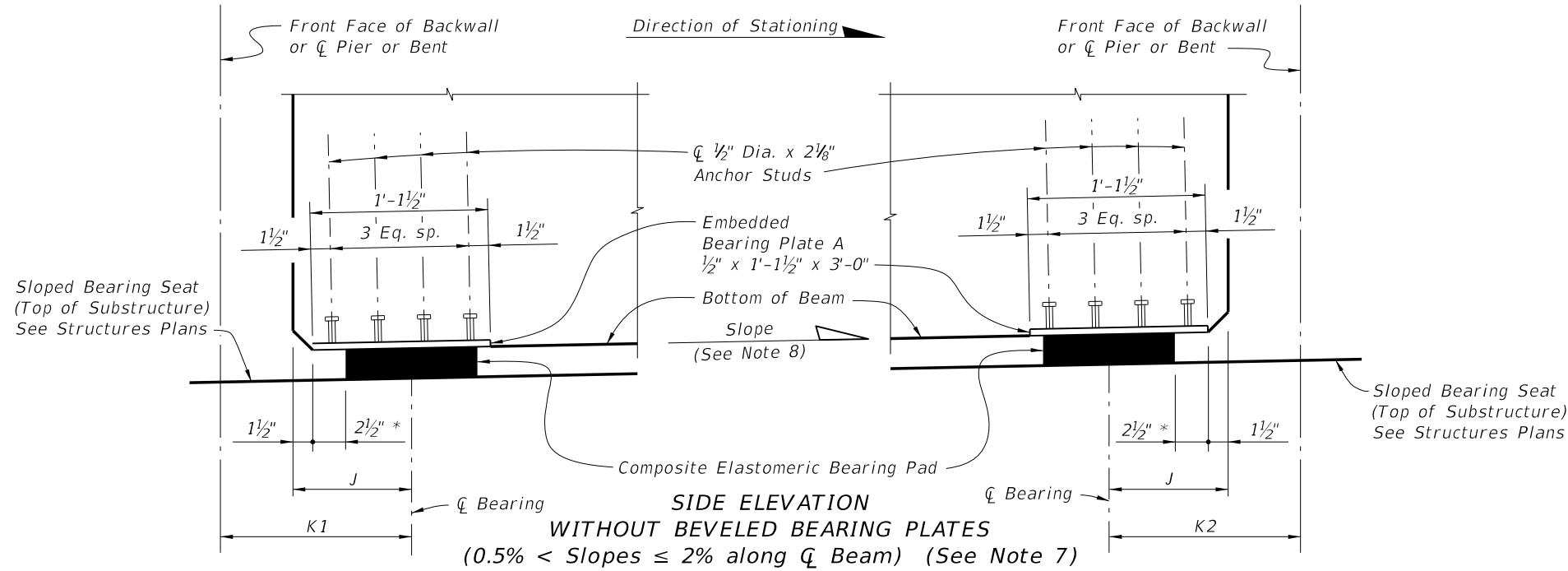
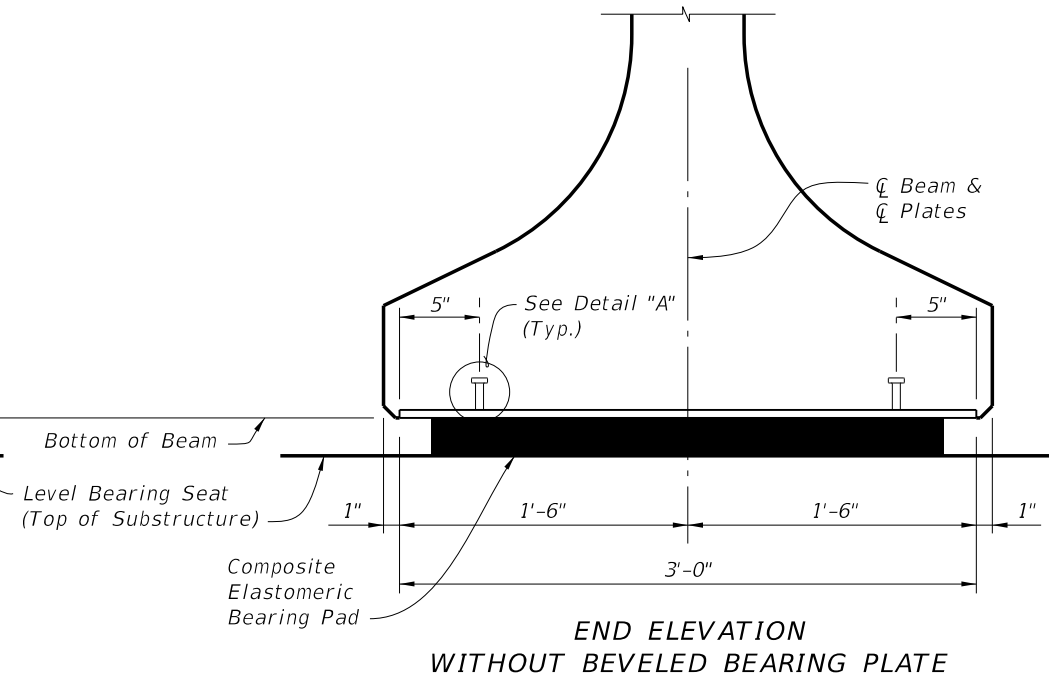
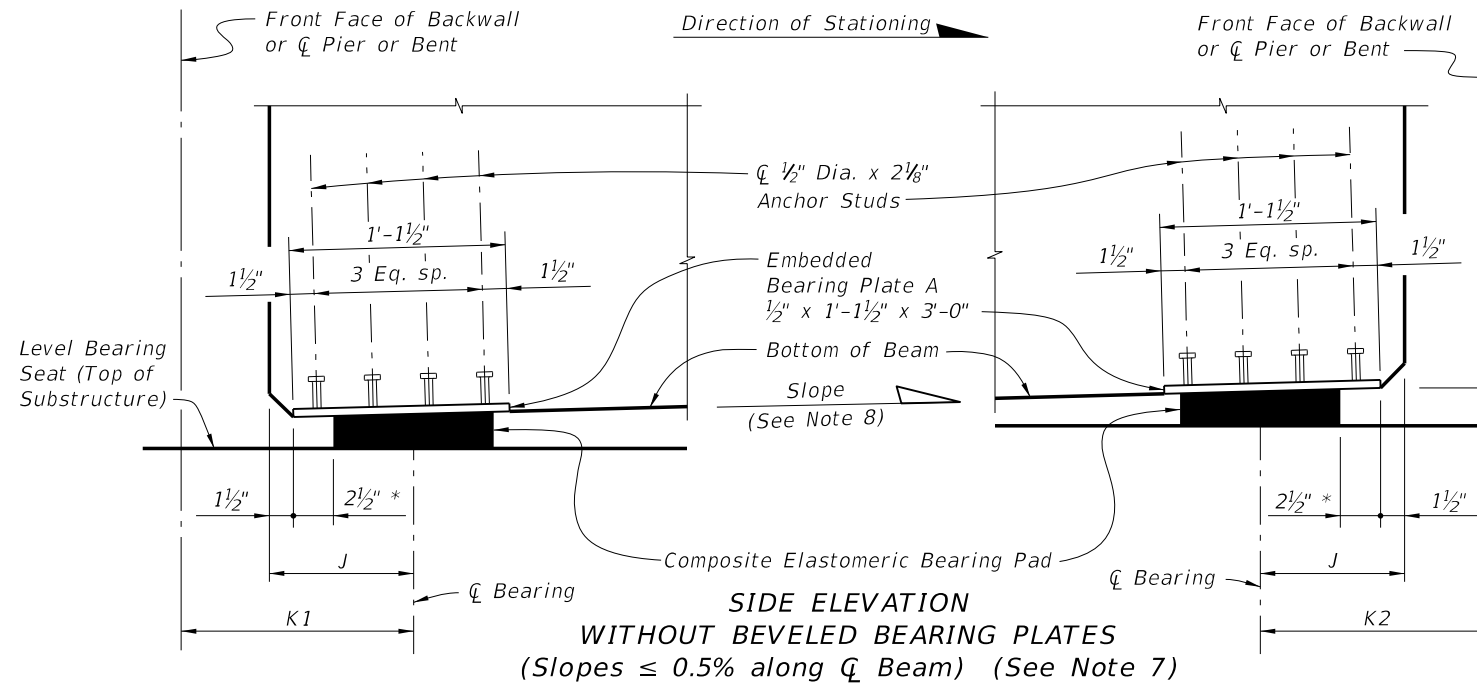


**SIDE ELEVATION
WITH BEVELED BEARING PLATES
(Slopes > 2% along \bar{C} Beam) (See Note 7)**



**END ELEVATION
WITH BEVELED BEARING PLATE**

LAST REVISION	DESCRIPTION:		FDOT DESIGN STANDARDS 2013	BEARING PLATES (TYPE 2) - PRESTRESSED FLORIDA-I BEAMS	INDEX NO. 20512	SHEET NO. 1
01/01/12	REVISION					



* 1/2" for Pad Type K

6/28/2012 12:58:02 PM rd960rh C:\projects\standards\structures\2013book\20512-2of2.dgn

LAST REVISION	REVISION	DESCRIPTION:		FDOT DESIGN STANDARDS 2013	BEARING PLATES (TYPE 2) - PRESTRESSED FLORIDA-I BEAMS	INDEX NO.	SHEET NO.
01/01/12						20512	2