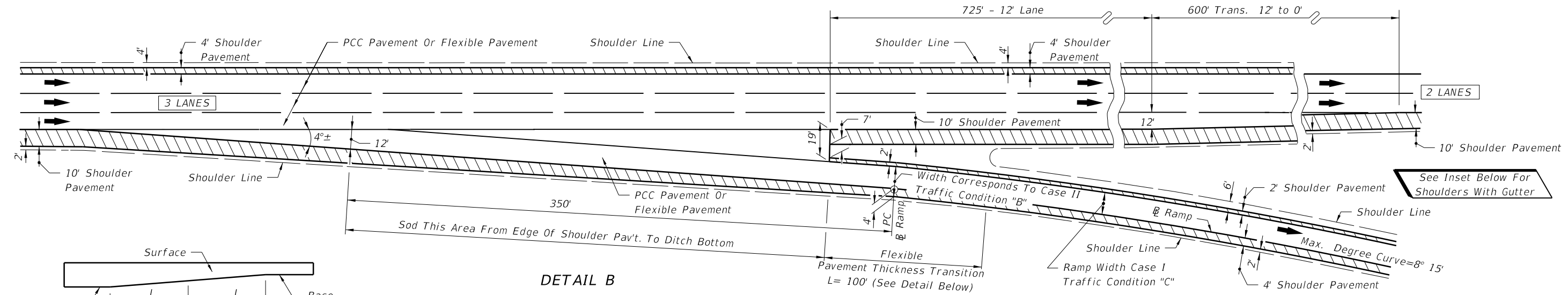
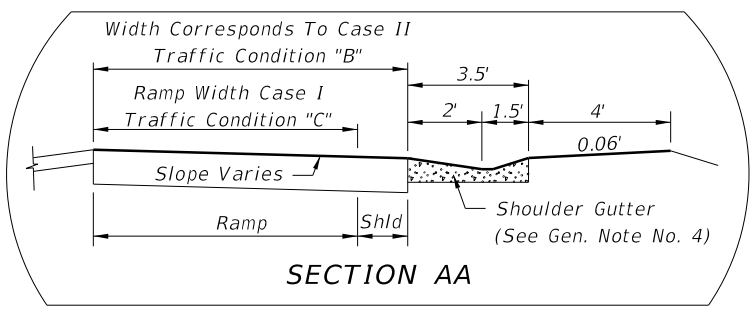
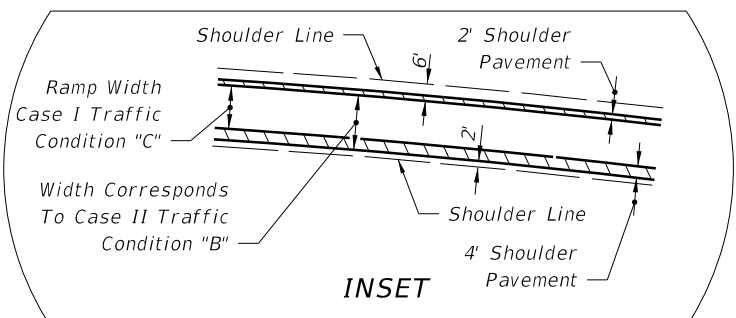
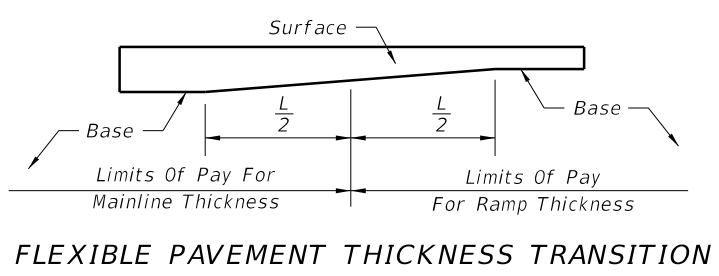


**DETAIL A
TWO THRU LANES**

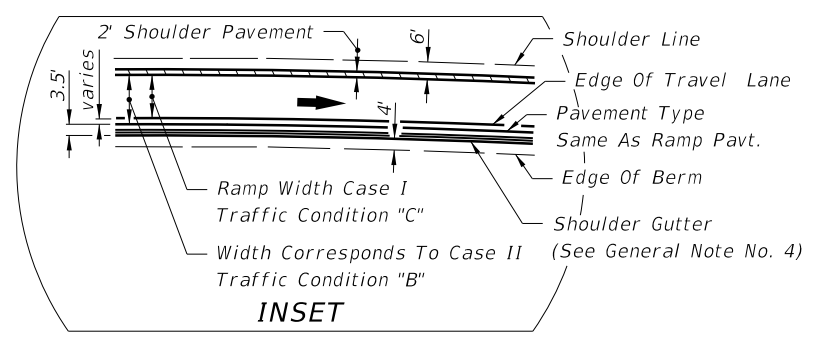


**DETAIL B
THREE APPROACH LANES - TWO THRU LANES**



FLEXIBLE PAVEMENT THICKNESS TRANSITION

**EXIT TERMINALS
SINGLE - LANE RAMPS**

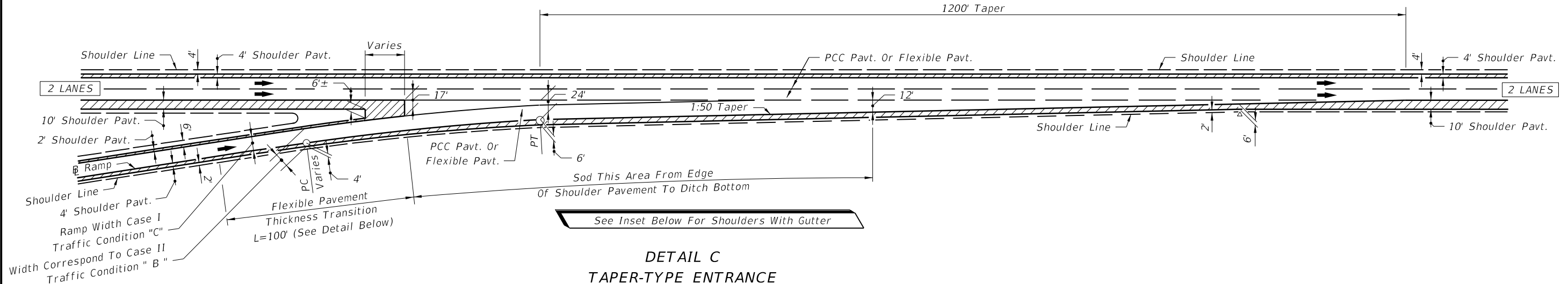


NOTE: For General Notes See Sheet No. 2

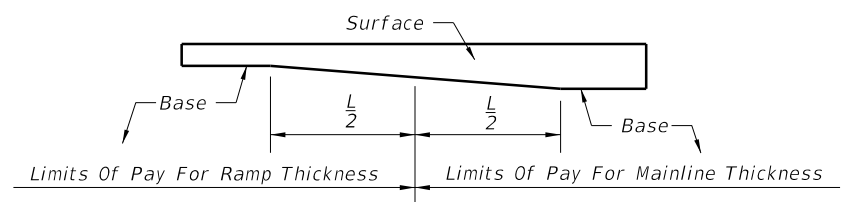
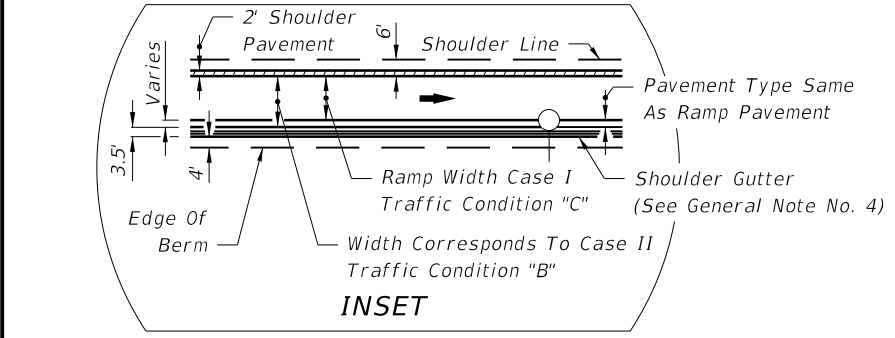
C:\projects\standards\roadway\05500-s\05525-01.dgn
r0960rh
10:34:22 AM
6/29/2012

LAST REVISION	DESCRIPTION:	 FDOT DESIGN STANDARDS 2013	RAMP TERMINALS	INDEX NO.	SHEET NO.
04				525	1

C:\projects\standards\roadway\00500-s\00525-02.dgn
 rd960rh
 10:34:24 AM
 6/29/2012



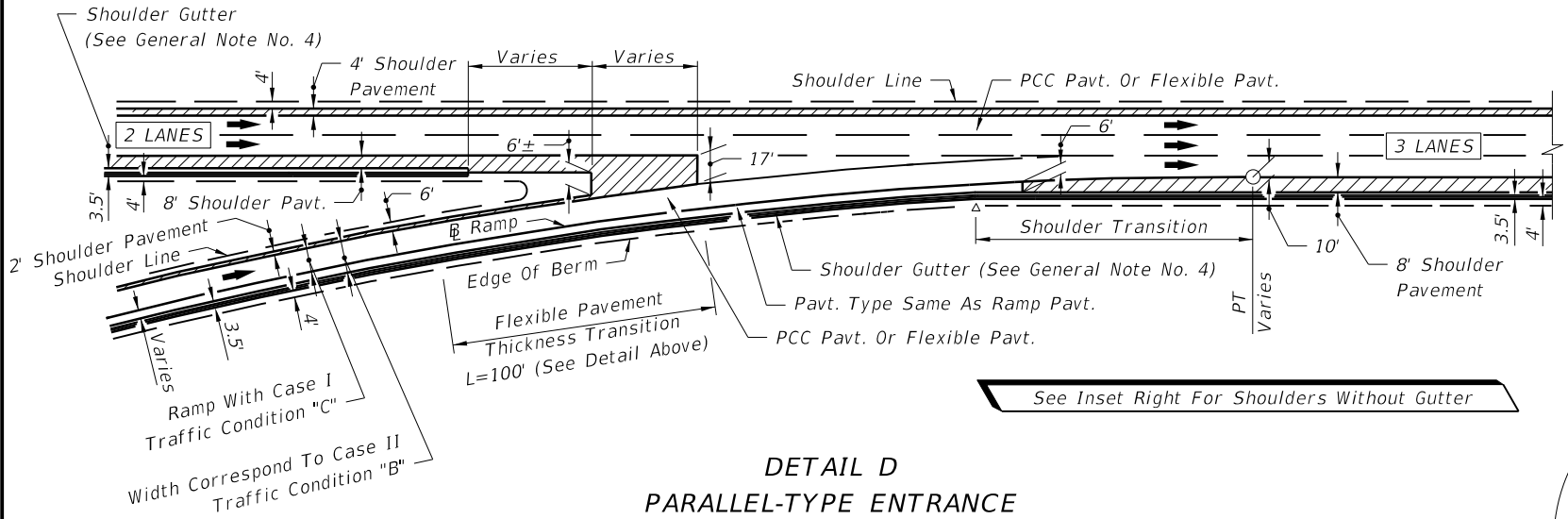
**DETAIL C
TAPER-TYPE ENTRANCE**



FLEXIBLE PAVT. THICKNESS TRANSITION

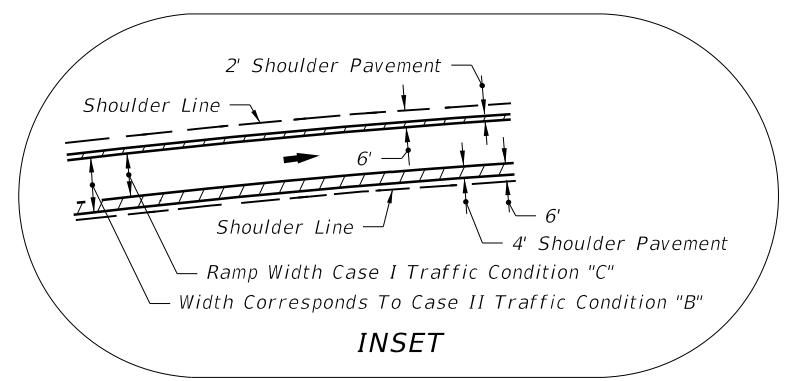
GENERAL NOTES

1. Taper-Type exit and entrance terminals as detailed shall not be used on ramps for which a speed of 50 MPH or greater cannot be maintained. For such ramps, parallel deceleration and acceleration lanes shall be used in place of tapers with lengths set according to AASHTO.
2. a. PCC Pavement Projects:
Where shoulder pavement adjacent to shoulder gutter is less than 6' wide, it shall be identical to the adjacent roadway pavement beginning with the transverse joint nearest the point of 6' width.
- b. Flexible Pavement Projects:
Where shoulder pavement used in conjunction with shoulder gutter is less than 6' uniform width, it shall be identical to the adjacent roadway pavement.
3. For concrete pavement joint details and layouts at entrance and exit ramp terminals see Index No. 305.
4. Shoulder gutter applications will be determined by drainage design.



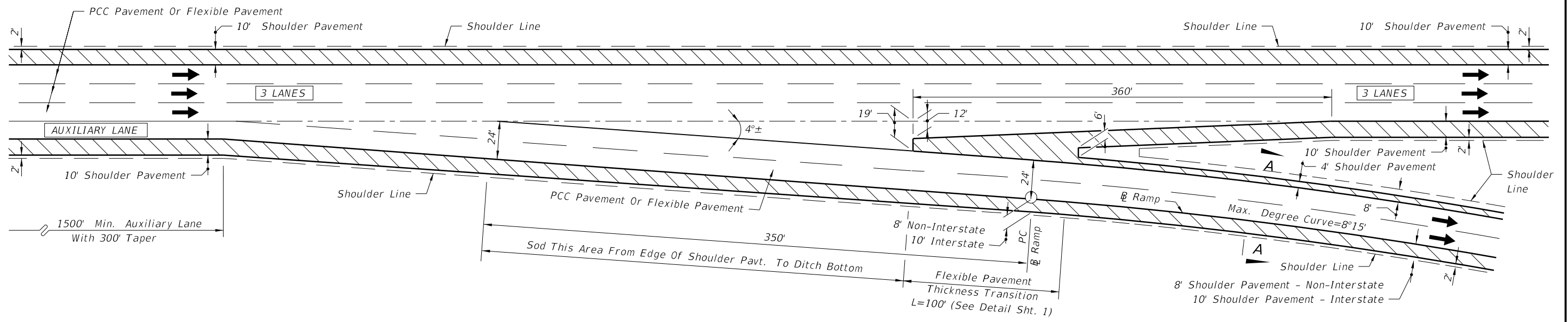
**DETAIL D
PARALLEL-TYPE ENTRANCE**

**ENTRANCE TERMINALS
SINGLE-LANE RAMPS**



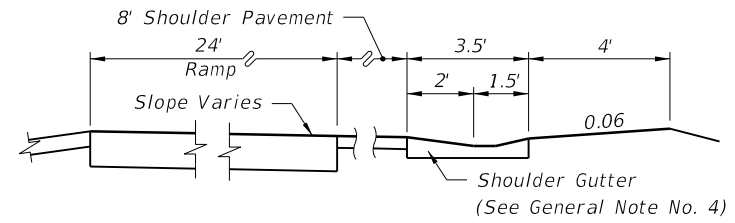
LAST REVISION	REVISION	DESCRIPTION:	 FDOT DESIGN STANDARDS 2013	RAMP TERMINALS	INDEX NO. 525	SHEET NO. 2
04						

C:\projects\standards\roadway\00500-s\00525-03.dgn
 rd960rh
 10:34:26 AM
 6/28/2012



THREE THRU LANES - APPROACH AUXILIARY LANE

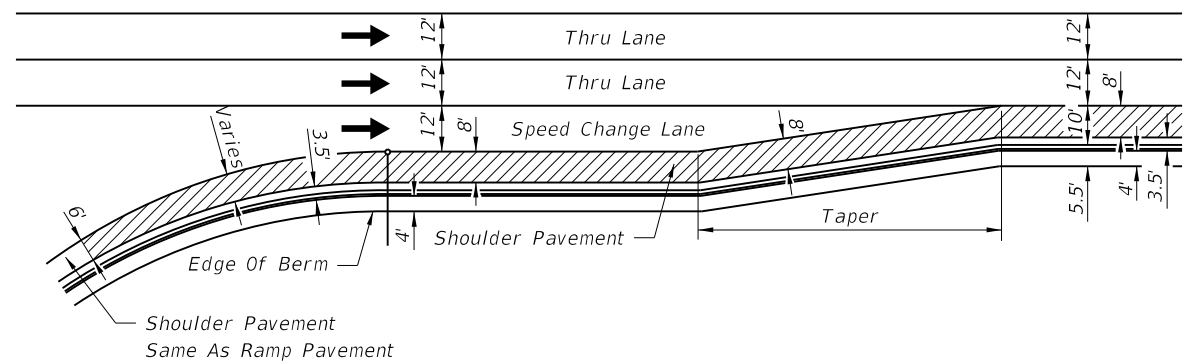
EXIT TERMINALS
TWO-LANE RAMPS



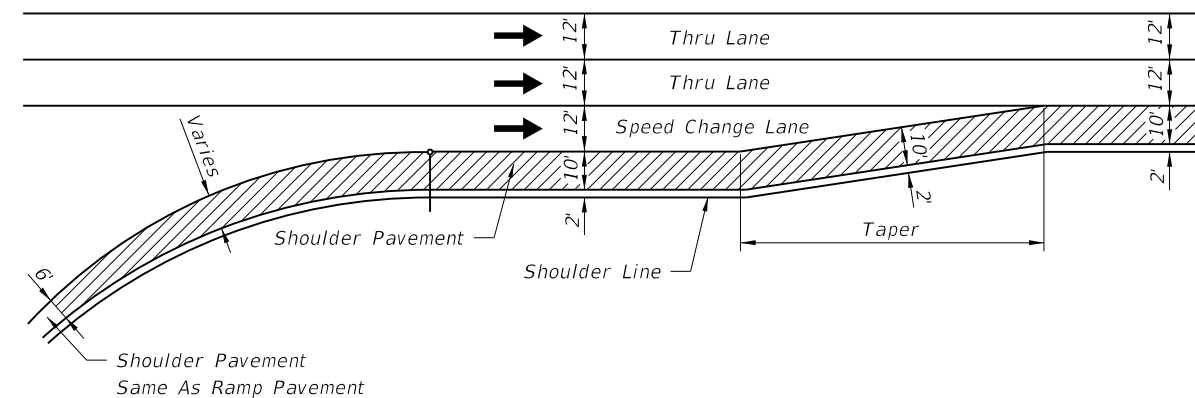
SECTION WHEN SHOULDER GUTTER USED
SECTION AA

LAST REVISION	REVISION	DESCRIPTION:		FDOT DESIGN STANDARDS 2013	RAMP TERMINALS	INDEX NO.	SHEET NO.
00						525	3

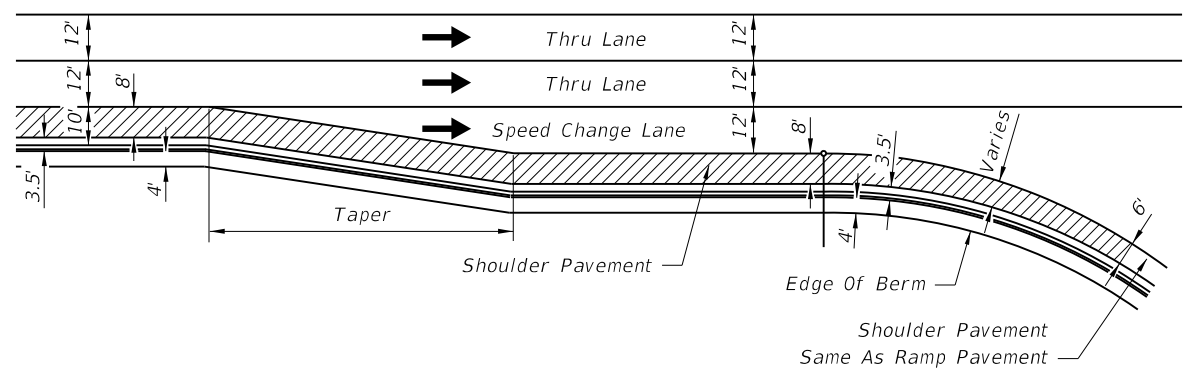
C:\projects\standards\roadway\00500-s\00525-04.dgn
 rd960rh
 10/34/28 AM
 6/29/2012



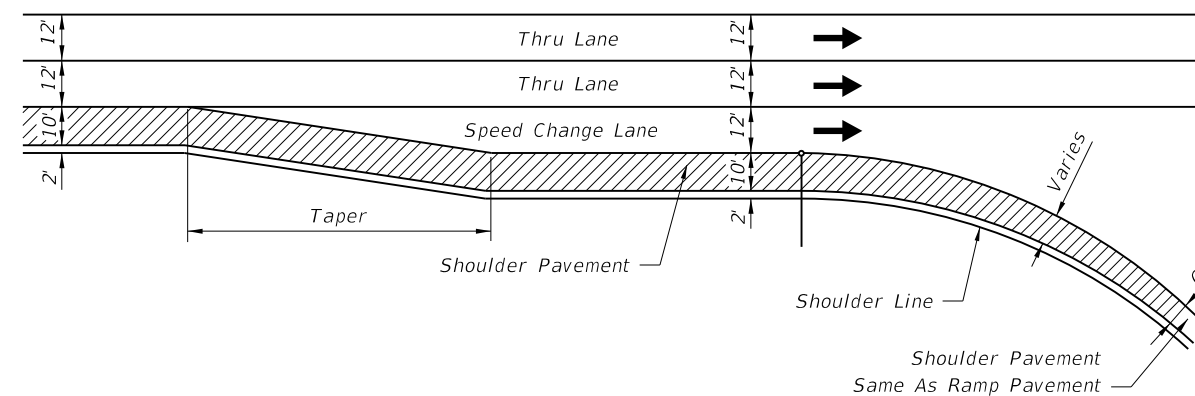
ACCELERATION LANE WITH SHOULDER GUTTER



ACCELERATION LANE WITHOUT SHOULDER GUTTER



DECELERATION LANE WITH SHOULDER GUTTER



DECELERATION LANE WITHOUT SHOULDER GUTTER

SHOULDER TREATMENT
 AT SPEED CHANGE LANES AT FREEWAY RAMP TERMINALS

FREEWAY RAMP TERMINALS

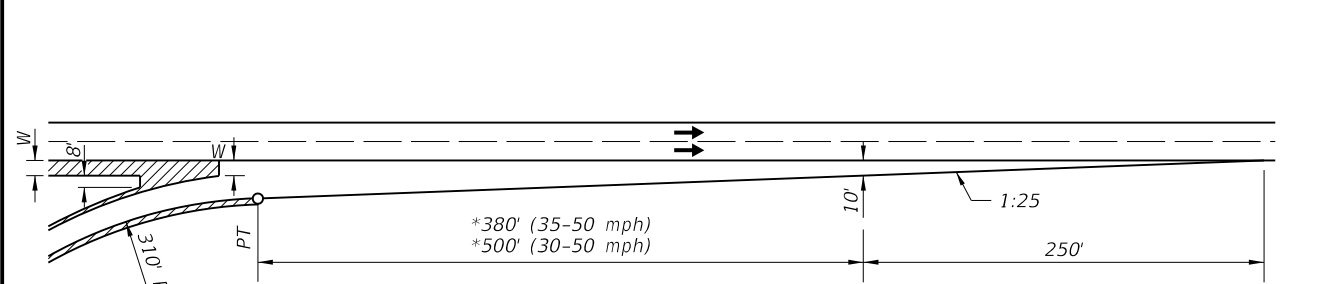
LAST REVISION	DESCRIPTION:
07/01/05	



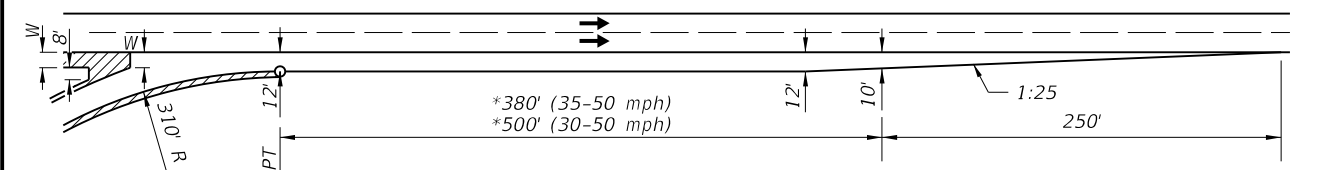
FDOT DESIGN STANDARDS
 2013

RAMP TERMINALS

INDEX NO.	SHEET NO.
525	4

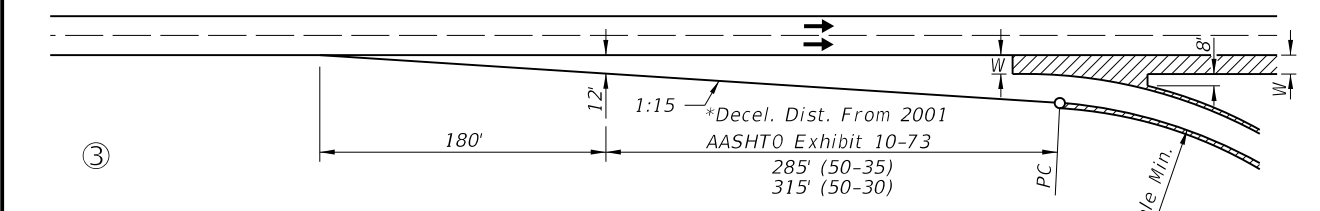


① Standard cross road entrance terminals. To be used when roadway alignment is tangent and no bridges are located within the merging lane.

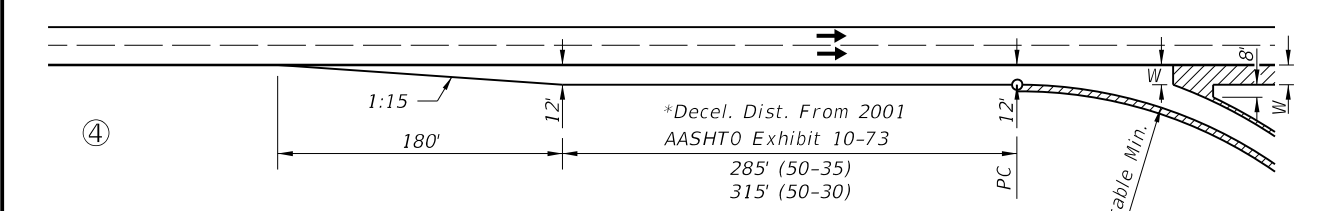


② Parallel cross road entrance terminals. Recommended when a bridge is located within the merging lane, turning roadway speed is less than 60% of thru roadway speed or for the combinations of horizontal alignment shown elsewhere on this sheet.

UNSIGNALIZED ENTRANCES



③ Standard cross road exit terminal. To be used when roadway alignment is tangent.



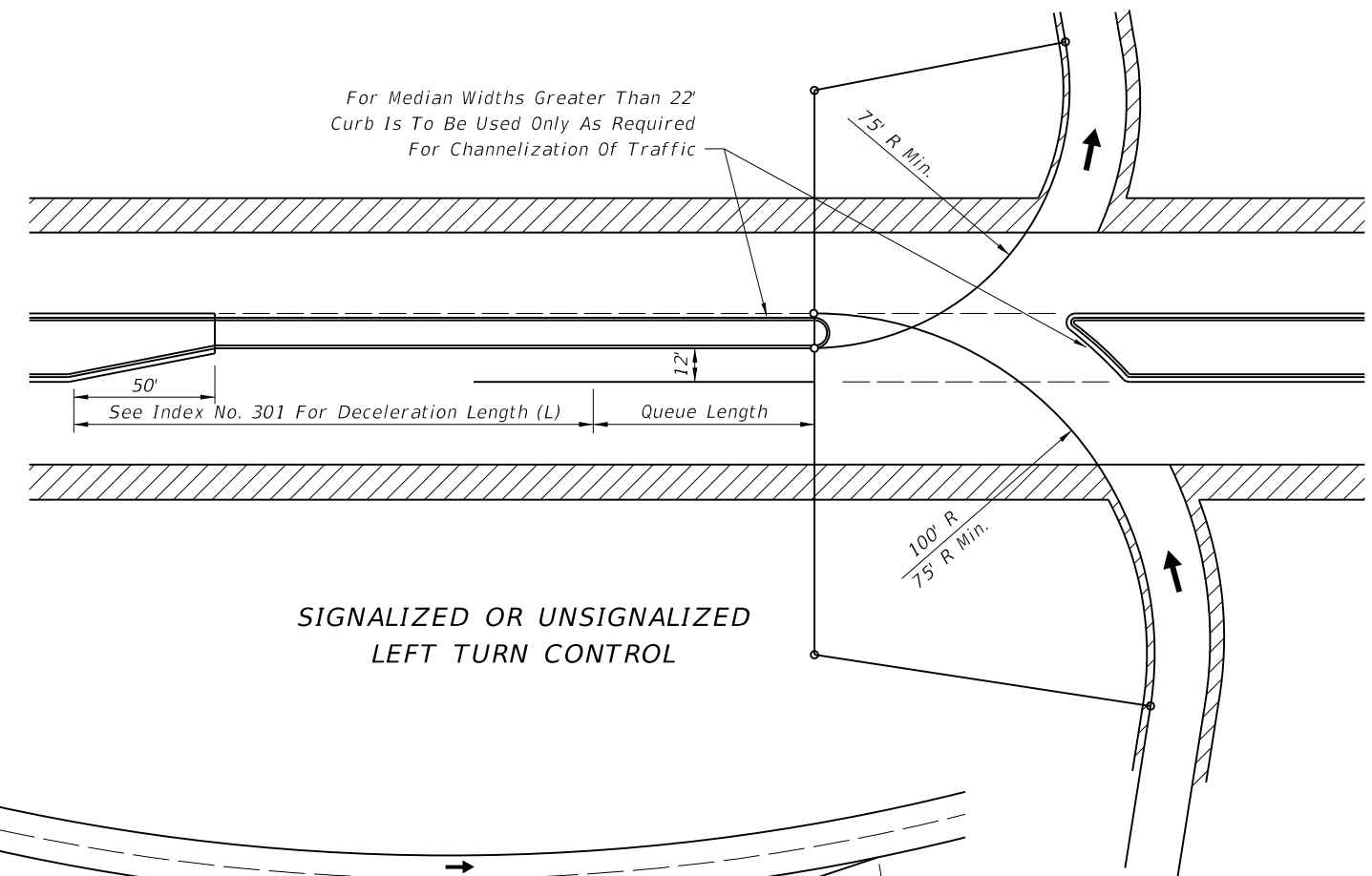
④ Parallel cross road exit terminals. Recommended when exit is partially hidden over the crest of vertical curve or when turning roadway speed is less than 60% of the thru roadway speed, or for the combinations of horizontal alignment shown elsewhere on this sheet.

UNSIGNALIZED EXITS

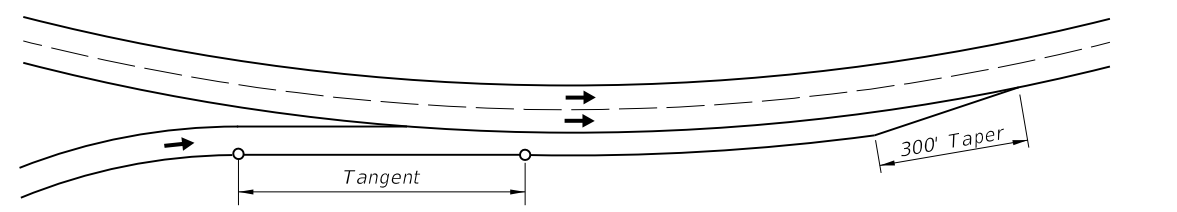
FOOTNOTES:

- W Normal shoulder pavement width.
- * Adjust for grades if greater than 2% (See Exhibit 10-71, AASHTO).

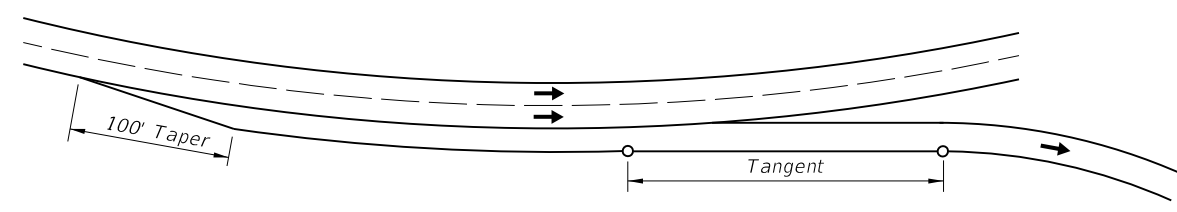
RAMP TERMINALS



SIGNALIZED OR UNSIGNALIZED LEFT TURN CONTROL



UNSIGNALIZED ENTRANCES



UNSIGNALIZED EXITS

RAMP TERMINALS ON CURVES

NOTE: Ramp terminals on curves should be avoided when possible.

CROSSROAD TERMINALS

C:\projects\standards\roadway\00500-s\00525-05.dgn
r0960rh
10:34:30 AM
6/29/2012

LAST REVISION	DESCRIPTION:		FDOT DESIGN STANDARDS 2013	RAMP TERMINALS	INDEX NO.	SHEET NO.
07/01/05	REVISION				525	5