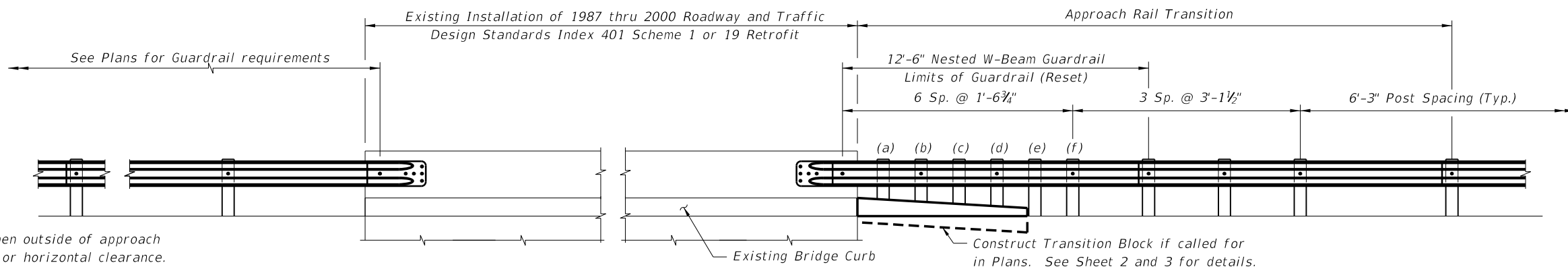
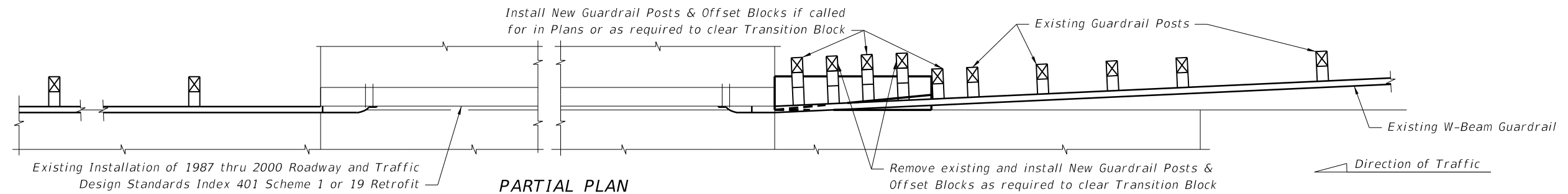


Note:  
Do not bolt nested W-Beam to Posts and Offset Blocks at Posts (a), (c) & (e), (Typ.)

TRAILING END \*

APPROACH END

PARTIAL ELEVATION  
W-BEAM BRIDGE TRAFFIC RAILING RETROFITS



\* For use when outside of approach clear zone or horizontal clearance.

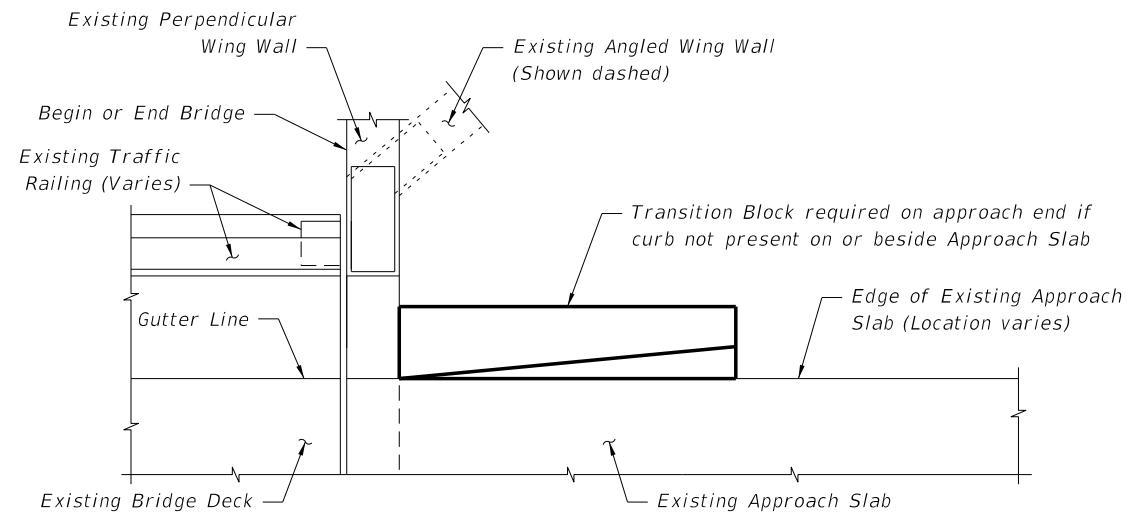
TRAILING END \*

APPROACH END

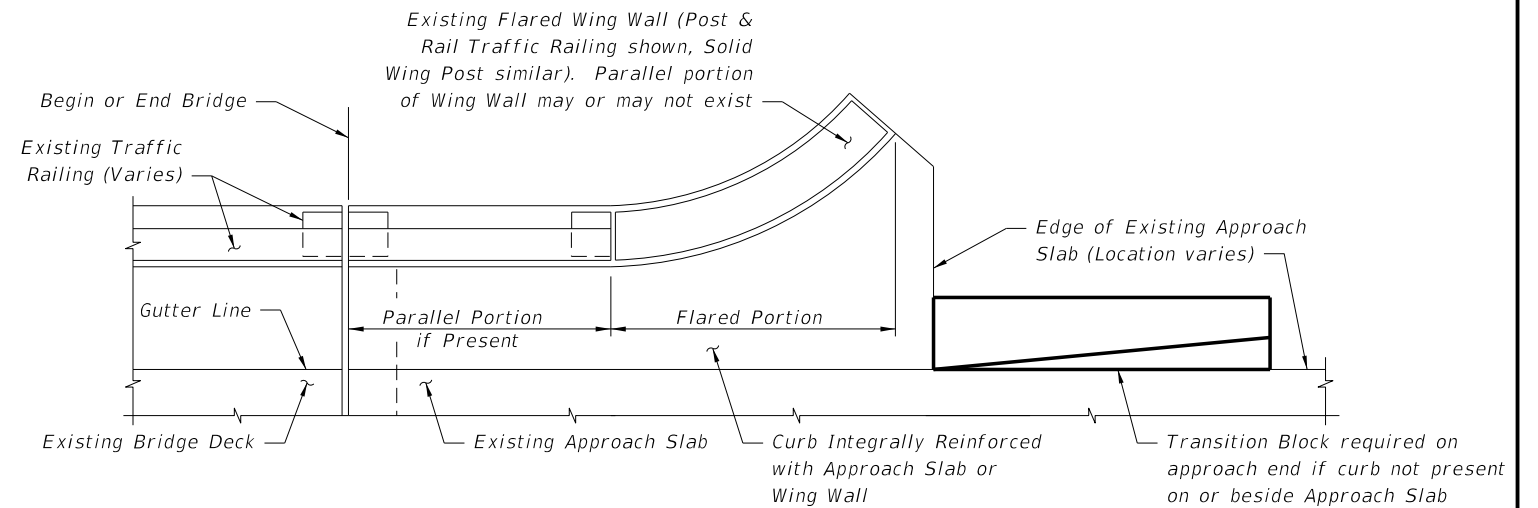
PARTIAL ELEVATION  
VERTICAL FACE BRIDGE TRAFFIC RAILING RETROFITS

C:\projects\standards\roadway\0400-s\0403-01.dgn  
r0960/h  
9:58:21 AM  
6/29/2012

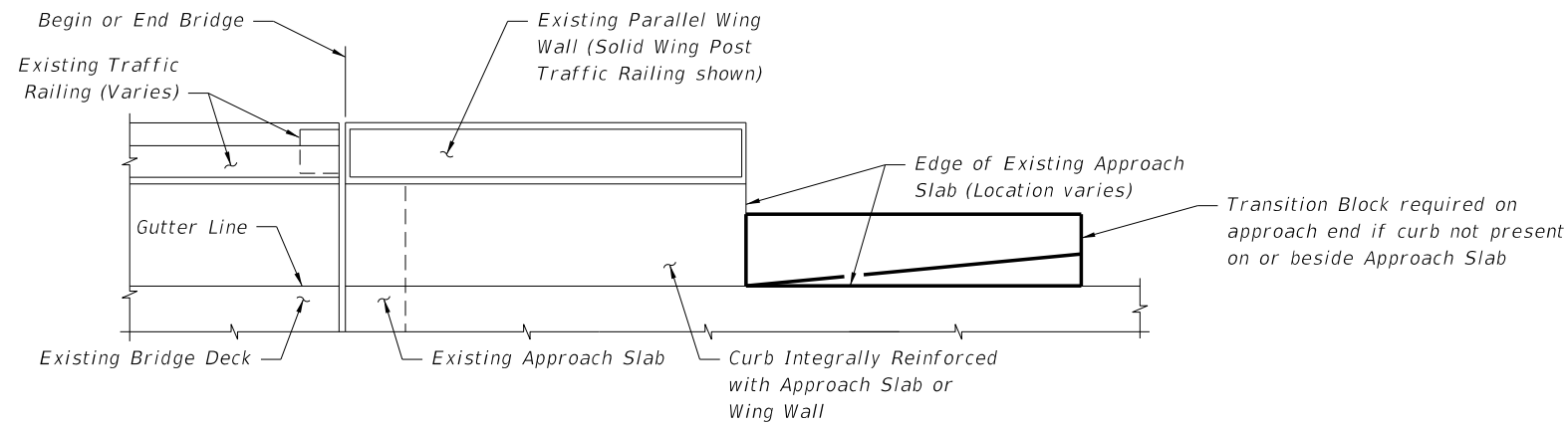
LAST REVISION	REVISION	DESCRIPTION:		<b>FDOT DESIGN STANDARDS</b> 2013	<b>GUARDRAIL TRANSITIONS FOR EXISTING BRIDGE TRAFFIC RAILING RETROFITS</b>	INDEX NO.	SHEET NO.
07/01/05						403	1



PARTIAL PLAN VIEW OF EXISTING BRIDGE WITH PERPENDICULAR OR ANGLED WING WALLS




PARTIAL PLAN VIEW OF EXISTING BRIDGE WITH FLARED WING WALLS AND PARALLEL INTEGRALLY REINFORCED APPROACH SLAB CURBS (APPROACH SLAB WITH DETACHED CURBS OR SIDEWALK SIMILAR)

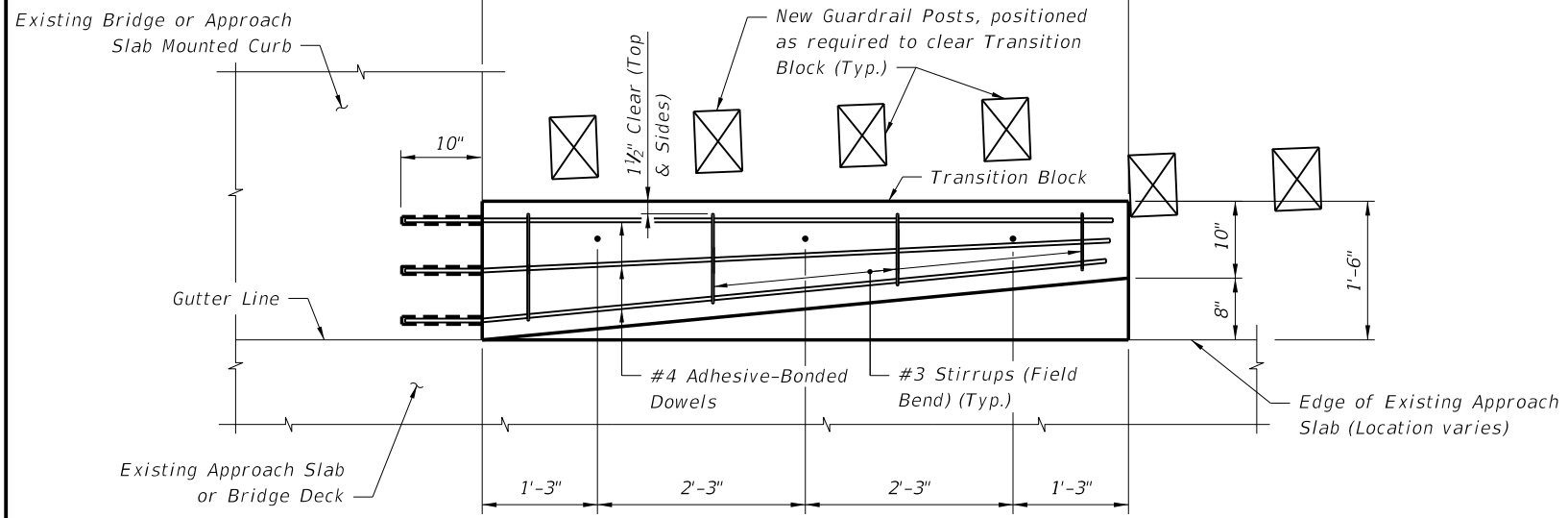


PARTIAL PLAN VIEW OF EXISTING BRIDGE WITH PARALLEL WING WALLS AND INTEGRALLY REINFORCED APPROACH SLAB CURBS (APPROACH SLAB WITH DETACHED CURBS OR SIDEWALK SIMILAR)

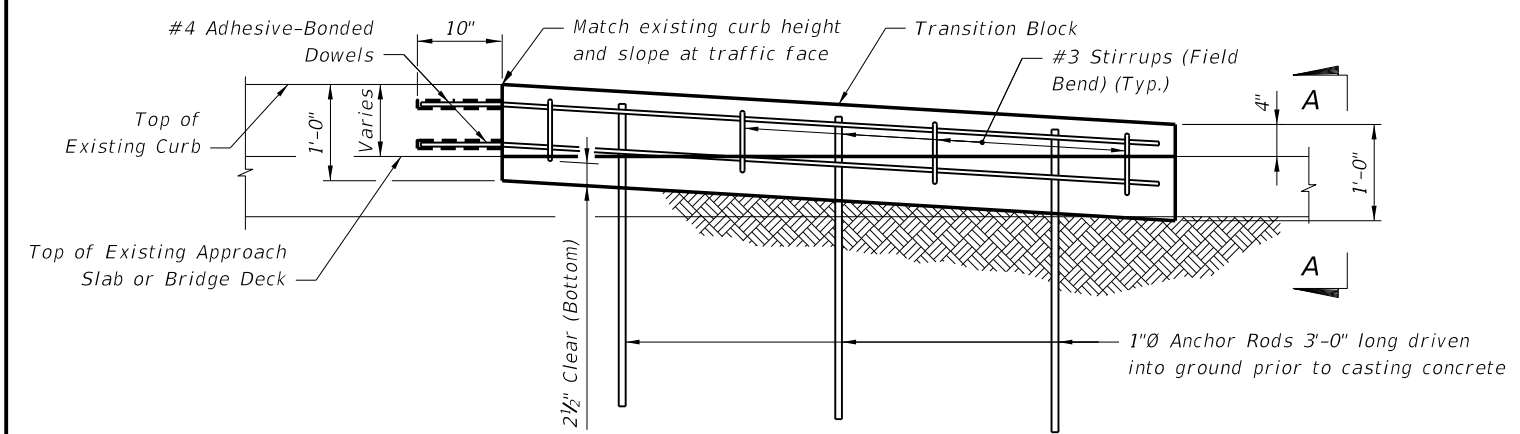
CROSS REFERENCE:  
For Transition Block Details,  
Quantities and reinforcement  
see Sheet 3.

C:\projects\standards\roadway\00400-s\00403-02.dgn  
6/29/2012 9:58:23 AM rd960rh

LAST REVISION	REVISION	DESCRIPTION:		<b>FDOT DESIGN STANDARDS</b> 2013	<b>GUARDRAIL TRANSITIONS FOR EXISTING BRIDGE TRAFFIC RAILING RETROFITS</b>	INDEX NO.	SHEET NO.
07/01/05						403	2

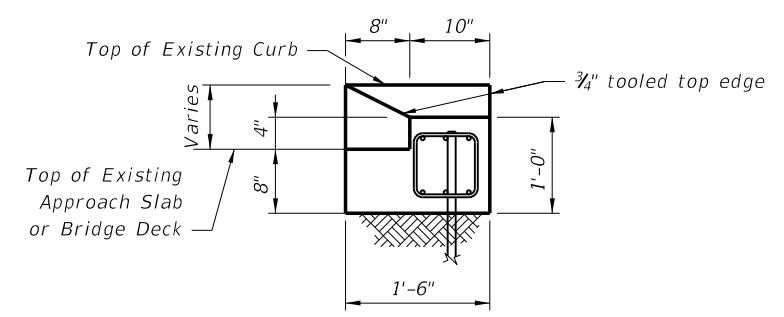


PLAN VIEW OF TRANSITION BLOCK  
(GUARDRAIL NOT SHOWN FOR CLARITY)

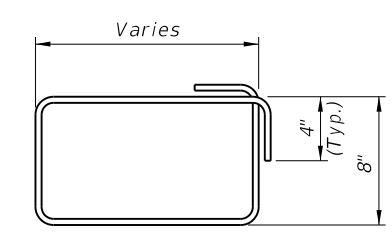


ELEVATION OF TRANSITION BLOCK  
(GUARDRAIL AND POSTS NOT SHOWN FOR CLARITY)

ESTIMATED QUANTITIES		
ITEM	UNIT	QUANTITY
Concrete Class NS	CY	0.4
Reinforcing Steel	LB	61
Guardrail (Reset)	LF	12.5



END VIEW A-A



#3 STIRRUP (FIELD BEND)

- NOTES:
- CONCRETE: Concrete for Transition Blocks shall be Class NS.
- REINFORCING STEEL: Reinforcing steel shall be ASTM A615, Grade 60.
- ANCHOR RODS: Steel Anchor Rods shall be ASTM A36, ASTM A709 Grade 36 or ASTM A615 Grade 60 hot-dip galvanized in accordance with Specification Section 962.
- W BEAM GUARDRAIL: Guardrail components and installation shall be in accordance with Design Standards Index 400.
- ADHESIVE-BONDED DOWELS: Adhesive Bonding Material Systems for Dowels shall comply with Specification Section 937 (Type HV) and be installed in accordance with Specification Section 416.
- Adhesive Bonded Dowels are shown installed in an existing curb or sidewalk integrally reinforced with Approach Slab, Wingwall or Bridge Deck. For installations in existing detached curbs or sidewalks, install dowels in available sound concrete.
- PAYMENT: Payment for Guardrail work will be made under Pay Item Guardrail (Reset) LF. Payment for Transition Block will be made under Pay Item Concrete Curb (Special), LF.

C:\projects\standards\roadway\00400-s\00403-03.dgn  
rd960rh  
9:58:25 AM  
6/29/2012