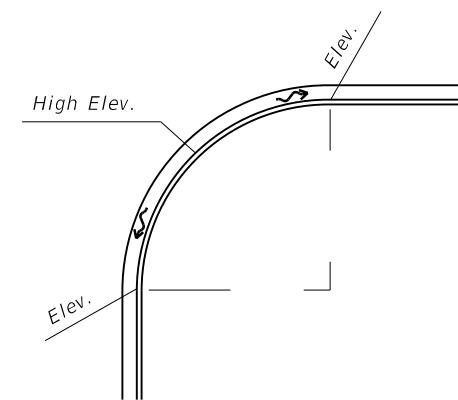
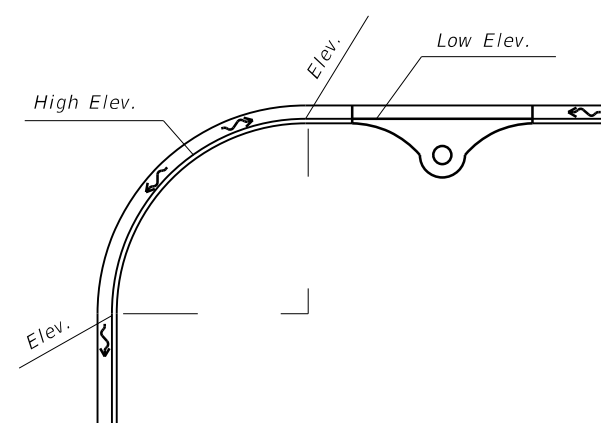
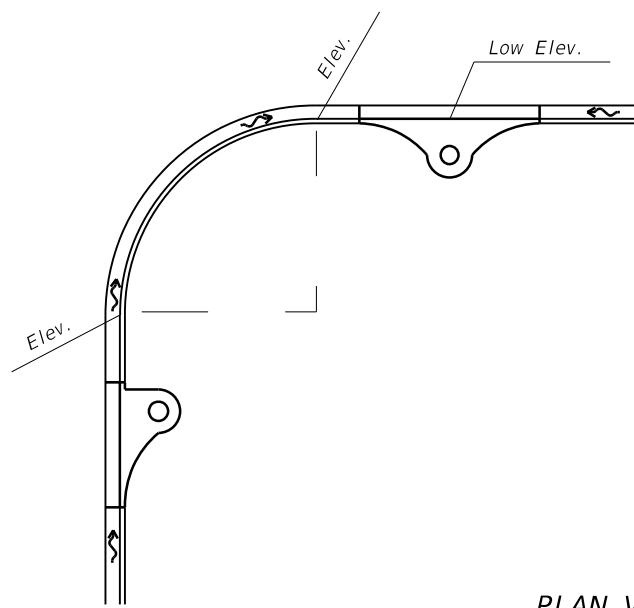
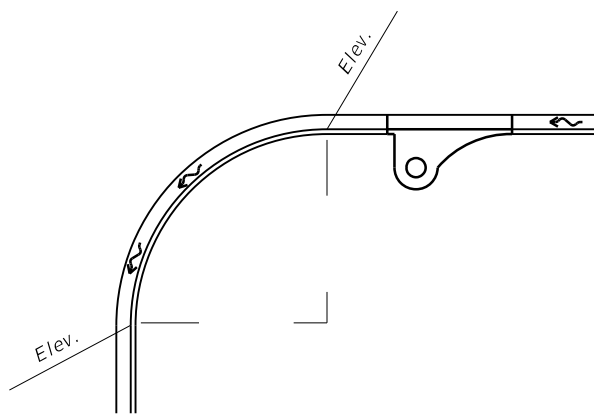
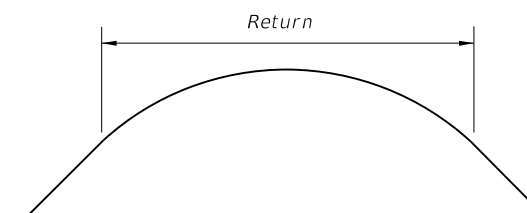
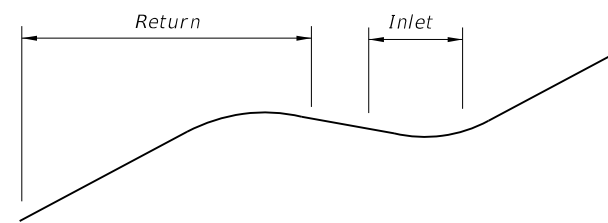
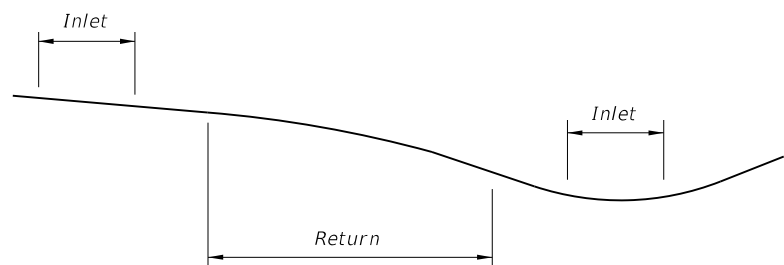
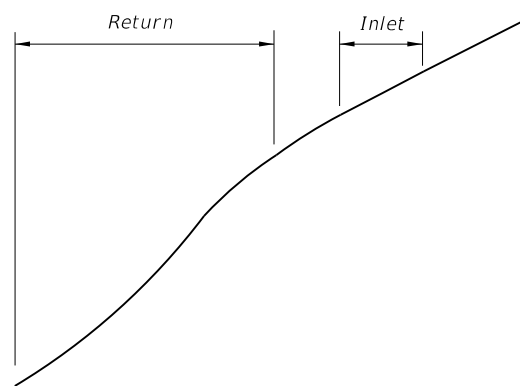


6/28/2012 9:43:47 AM rd960rh C:\projects\standards\roadway\0300-s\0303-01.dgn



PLAN VIEW



PROFILE VIEW

Note:
 Profile grades should be established that will allow inlets to be located outside the return whenever practical. Inlets should be located to avoid conflict with pedestrian movement. Special care must be exercised to prevent conflict with public sidewalk curb ramps for the disabled. For information on public sidewalk curb ramps refer to Index No. 304.

SHOWING LOCATION OF INLETS AT RETURNS

TYPICAL RETURN PROFILES

LAST REVISION	REVISION	DESCRIPTION:		FDOT DESIGN STANDARDS 2013	CURB RETURN PROFILES	INDEX NO.	SHEET NO.
01/01/12						303	1