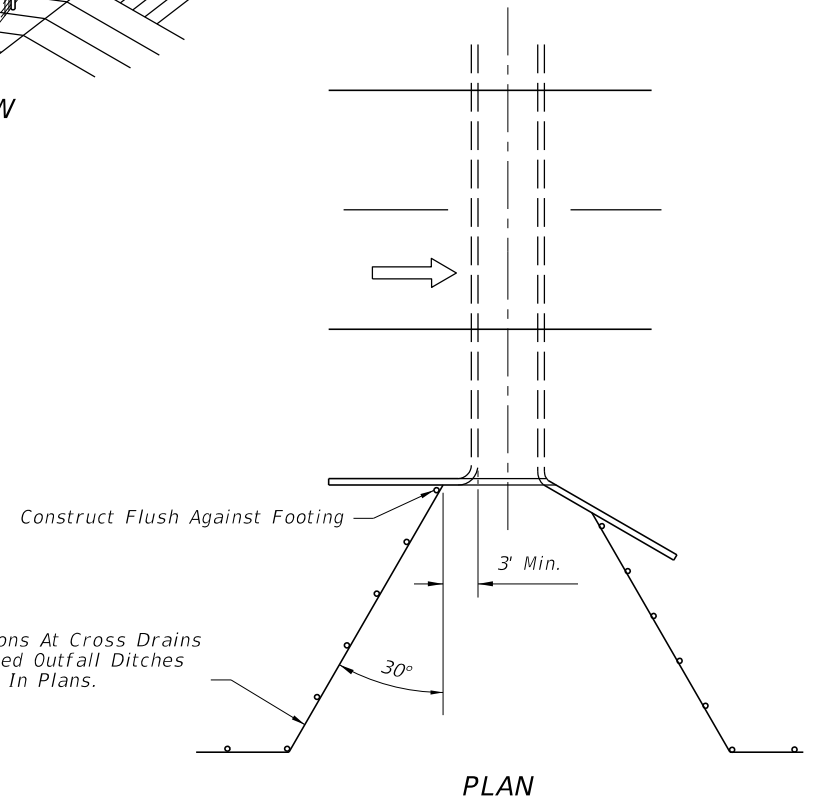
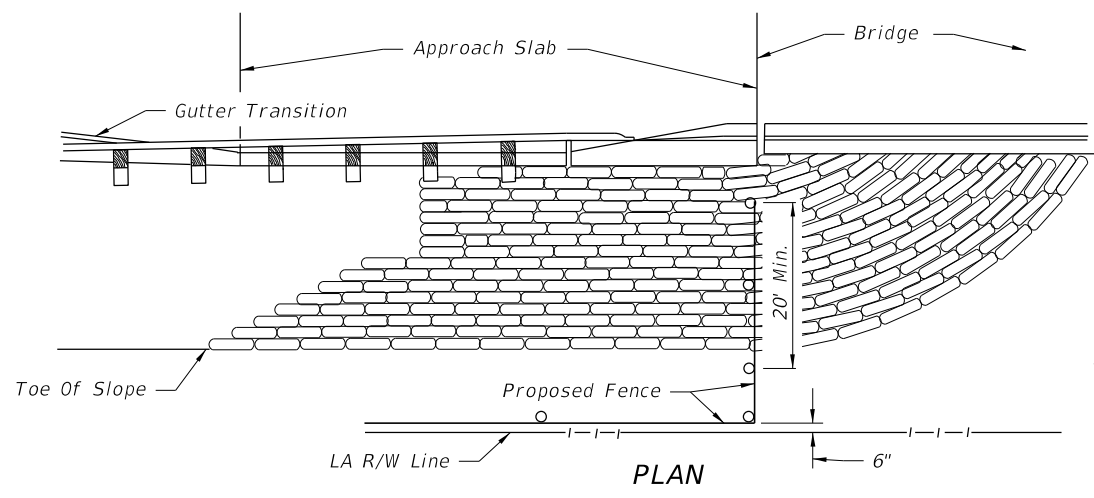


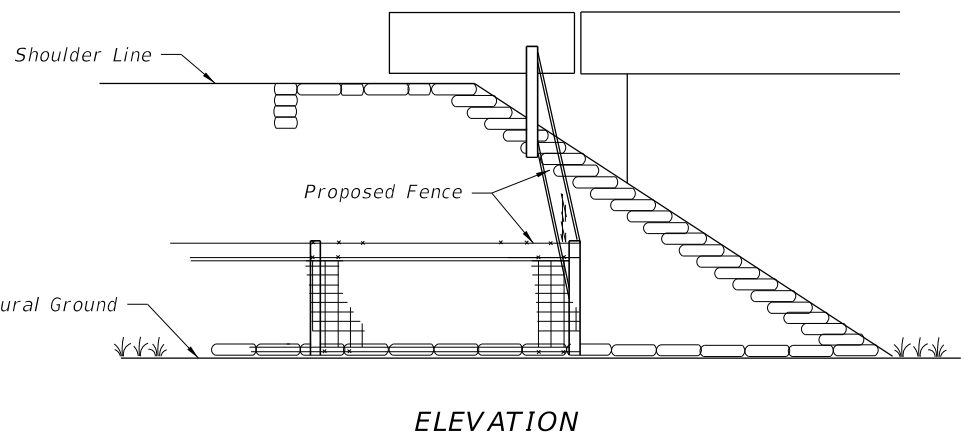
ELEVATION
FENCING TERMINALS AT BRIDGE ENDS (ROADWAY)



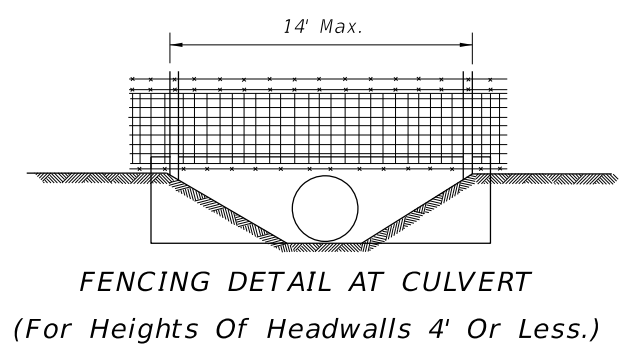
PLAN
 (For Heights Of Headwall Greater Than 4')
FENCING TERMINALS AT BOX CULVERTS



PLAN
FENCING TERMINALS AT BRIDGE ENDS (STREAM CROSSING)



ELEVATION



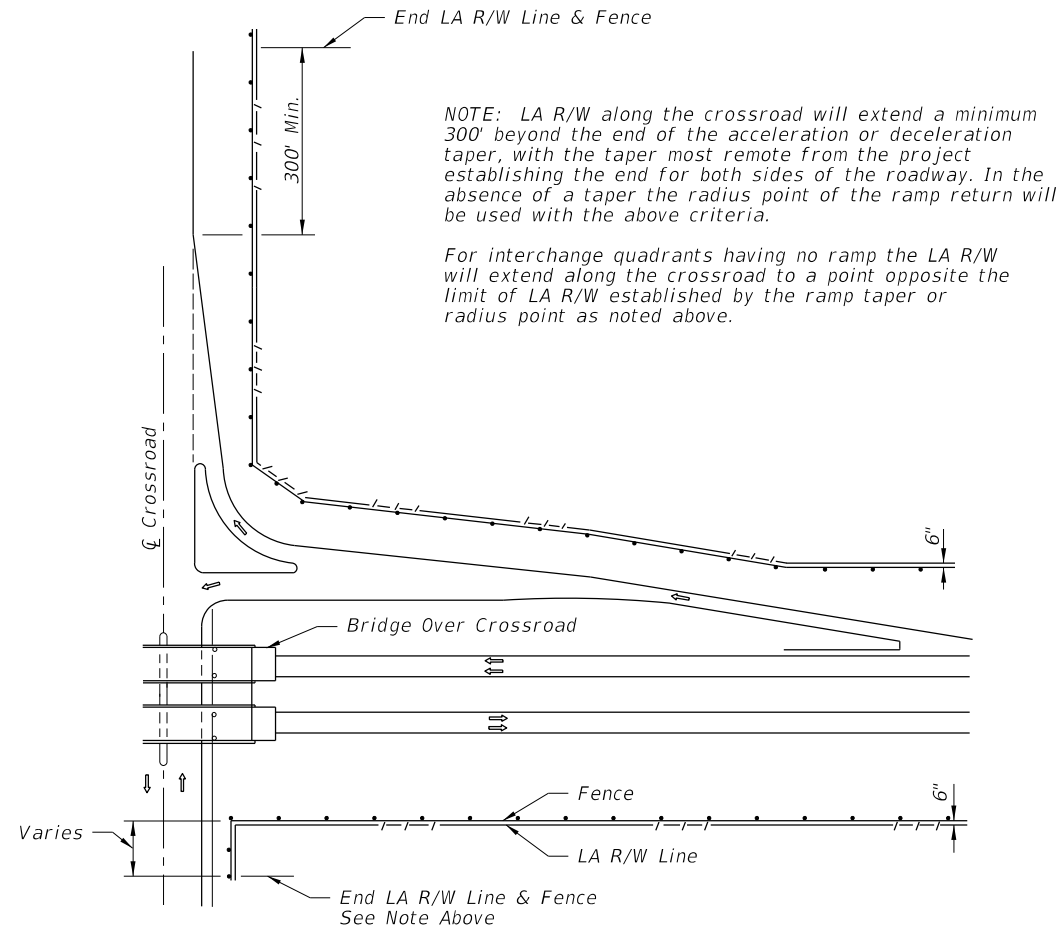
FENCING DETAIL AT CULVERT
 (For Heights Of Headwalls 4' Or Less.)

Note: When height of headwall is 4' or less (drainage pipe 36" or less) the fence shall not be tied to the headwall, but shall span the lateral ditch.

12/30/2011 9:44:05 AM r19960/h C:\projects\standards\roadway\0800-s\0800-01.dgn

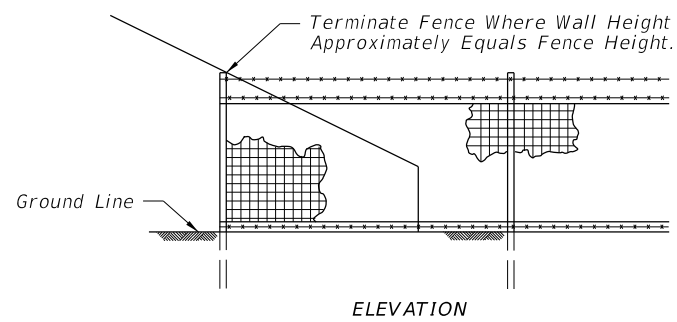
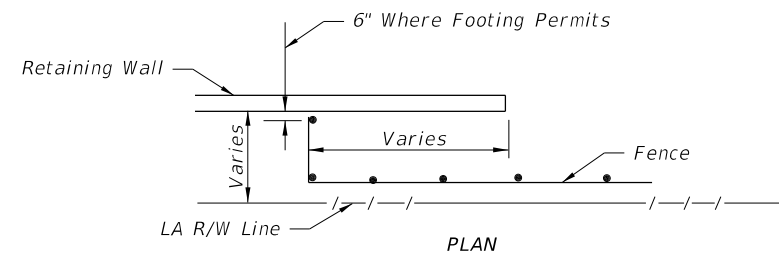
LAST REVISION	DESCRIPTION:	 FDOT DESIGN STANDARDS FY 2012/2013	FENCE LOCATION	INDEX NO.	SHEET NO.
07/01/05				800	1

12/30/2011 9:44:06 AM r19960rh C:\projects\standards\roadway\0800-s\0800-02.dgn

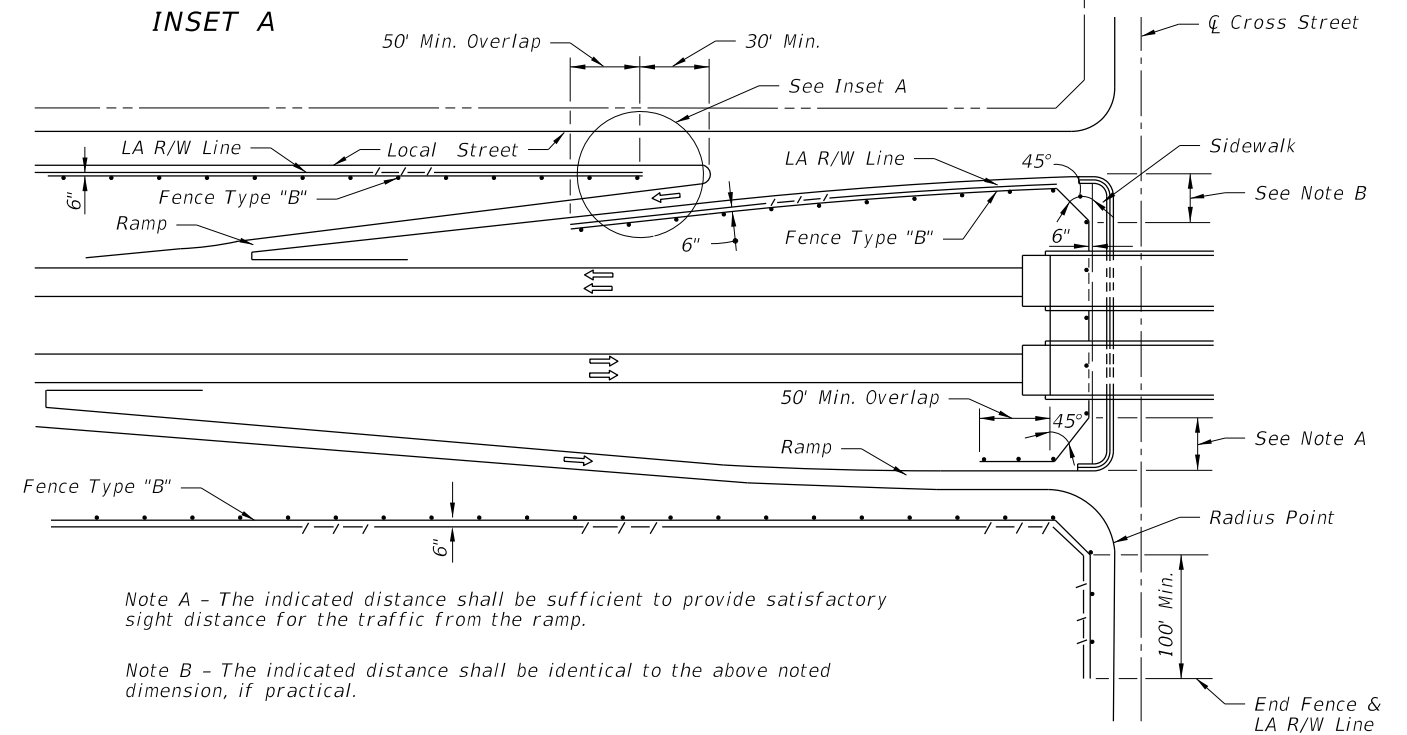
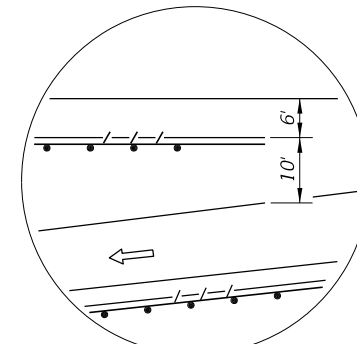


APPLIES TO BRIDGE OVER CROSSROAD AND CROSSROAD OVER FREEWAY (BRIDGE OVER CROSSROAD SHOWN)

FENCING TERMINALS AT RURAL INTERCHANGES



FENCING TERMINALS AT RETAINING WALLS



FENCING TERMINALS AT URBAN INTERCHANGES

LAST REVISION	07/01/05	DESCRIPTION:	 FDOT DESIGN STANDARDS FY 2012/2013	FENCE LOCATION	INDEX NO.	SHEET NO.
					800	2

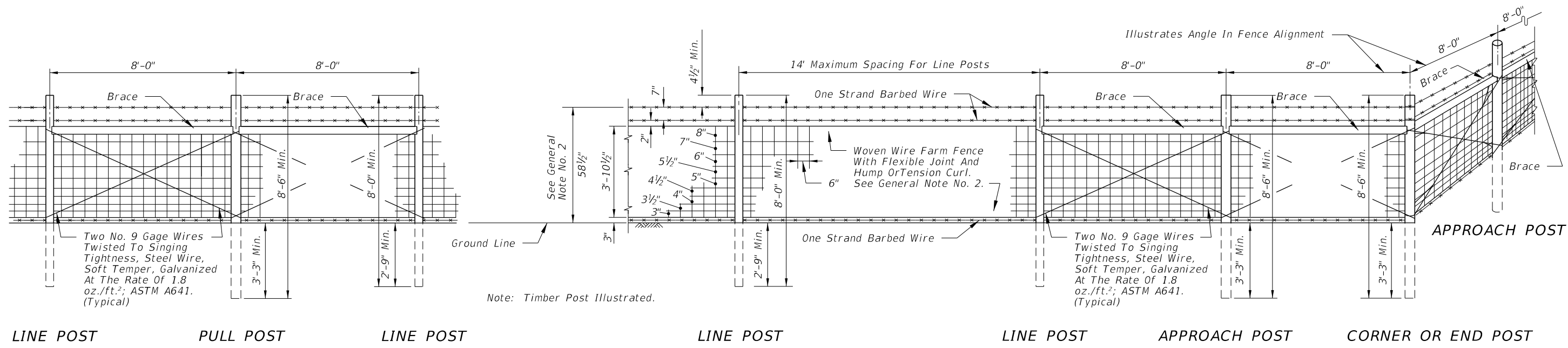
GENERAL NOTES

1. This fence to be provided generally in rural areas. For supplemental information see Section 550 of the FDOT Specifications.
2. Fabric shall be woven wire, either galvanized steel, meeting the requirements of ASTM A116, No. 9 Farm, Design Number 1047-6-9, with Class 3 zinc coating, or aluminum coated steel, meeting the requirements of ASTM A584, No. 9 Farm, Design Number 1047-6-9, with a minimum coating weight of 0.40 oz./ft.². For additional information see payment note below.
3. Fence shall be installed with wire side to private property except on horizontal curves greater than 3° the fence shall be installed so as to pull against all posts.
4. Posts may be either timber, steel, recycled plastic or concrete. Unless a specific post material is called for in the plans, the Contractor may elect to use either a single material or a combination of timber, steel, recycled plastic or concrete materials. Line posts of one material may be used with corner, pull and end post assemblies of a different material. Line posts of only one optional material and pull post assemblies of only one optional material will be permitted between corner and end post assemblies. Within individual corner and end post assemblies only one optional material will be permitted.
5. Timber posts shall meet the material requirements of Specification Section 954. Timber line posts are to be minimum 4" diameter. Timber corner, pull, approach and end posts are to be a minimum 5" diameter. Timber braces are to be minimum 4" diameter.
 - (A) Staples for line posts to be 1 1/4" minimum length; for approach, corner and pull posts 1 1/2" minimum length. At approach, corner and pull posts, staple every line wire. At line posts, staple every line wire in top half and alternate line wires in bottom half. Staples shall be driven diagonally across the line wire with the points in separate grains.
 - (B) Connections between timber posts and braces to be provided by dowels as shown in fastener details.
 - (C) Wire to be wrapped and tied, as shown in the splice details, at the following locations:
 - (a) All end posts, (b) Corner post, including the assemblies at vertical breaks of 15° or more and (c) Pull posts where the wire is not spliced and pulled through the assembly; see General Note 18.
6. Steel posts and braces shall be standard steel posts, galvanized at the rate of 2 oz./ft.², together with necessary hardware and wire clamps and meeting the following requirements:
 - (A) Line posts: 8' long; 1.33 lbs./ft.; roll formed studding; anchor plate attached (23 in.²).
 - (B) Approach posts: 2 1/2"x2 1/2"x1/4" angles, 8' long; fabricated for attaching brace; with necessary hardware, clamps, etc.
 - (C) Pull, end and corner posts: 2 1/2"x2 1/2"x1/4" angles, 8' long; fabricated for attaching brace; with necessary hardware, clamps, etc.
 - (D) Braces: 2"x2"x1/4" angles with necessary hardware and fabricated for attaching to post.
 - (E) The pull, corner, approach and end posts are to be set in concrete as per detail. (Also see General Note No. 15)
7. Recycled plastic posts shall meet the following material requirements: Line posts shall have a minimum section of 4" round or 4" square. Plastic posts shall not be used as corner, pull, end or approach posts unless such use is specifically detailed in the plans. The straightness of the post shall comply with 954-5 for timber post. The flexural strength shall meet the requirements of the latest edition of the Southern Pine Inspection Bureau's Standard Grading Rules for Southern Pine Lumber for No. 2SR Stress Rated Grade Timber. Plastic posts can be set by either digging and tamped backfill or by driving into full depth preformed holes 1/4" to 1/2" smaller than cross section of post. Staples for fabric and barbed wire connection to plastic line posts shall be the same size, count and location as that for timber posts.
8. The Contractor, at his option, may use any suitable precast or prestressed concrete posts; however, approval by the Engineer, of posts not shown on this index, will be required prior to construction of the fence. Precast posts shall be Class I concrete. Prestressed posts shall be Class III concrete. Lengths of concrete post to be as indicated for timber posts.
9. Aluminum post, braces and accessory framing hardware shall not be used unless the plans specifically detail their application or the Engineer specifically approves their incorporation in fence construction or repair. Aluminum framed gates are permitted as described in General Note 19.
10. The woven wire shall be attached to steel and concrete posts by a minimum of five tie wires. The single wire ties shall be applied to the top, bottom and three intermittent line wires. The ends of each tie wire shall have a minimum of two tight turns around the line wire. Tie wires shall be steel wire not less than 0.120" diameter, zinc coating Class 3, soft temper, in accordance with ASTM A641.
11. Steel Barbed Wire can be either of the following types:
 - Type I: This type shall conform to the requirements of ASTM A121, with two strands of 12 1/2 gage wire; four-point barbs, wire size 14 gage, twisted around both line wires; and, Class 3 coating.
 - Type II: This type same as Type I except the two strand wires are twisted in alternating directions between consecutive barbs.
 Aluminum Barbed Wire shall be fabricated of two strands of 0.110-inch wire with 0.08-inch diameter four-point barbs spaced at approximately 5 1/2", and at a maximum spacing of 6". The wire for the strands and for the barbs shall be of ASTM B211M Alloy 5052-H38 or equal.
12. The woven wire shall be stretched only until one-half the tension curl has been pulled out of the line wires.
13. Posts to be set by driving or digging. If by digging, the posts shall be set at the center of the hole and the soil tamped securely on all sides.
14. Longer posts than those indicated above may be required by the plans or for deeper installations.
15. Concrete bases for angular steel posts (pull, corner, end and approach) shall be Class NS as specified in Section 347. Materials for Class NS concrete may be proportioned by volume and/or by weight.
16. Pull post assemblies shall be installed at approximately 330' centers except that this maximum interval may be reduced by the Engineer on curves where the radius is less than 3°.
17. Corner post assemblies are to be installed at all horizontal and vertical breaks in fence of 15° or more.
18. A maximum length of 1320' of wire may be installed as a unit. For pulls through a pull post assembly the fabric shall be spliced by crimping sleeves only. Pulls through a corner post assembly will not be permitted.
19. Unless otherwise called for in the plans gates shall be commercially available metal swing gates assembled and installed in accordance with the manufacturer's specifications as approved by the Engineer. Chain link swing gates in accordance with Index No. 802 may be substituted for metal swing gates as approved by the Engineer. Gate size is full opening width whether single leaf or double leaves. Payment for gates shall include the gate, single or double, all necessary hardware for installation and any additional length and/or size for posts at the opening. Gates shall be paid for under the contract unit price for Fence Gates, EA.
20. For construction purposes, assemblies are defined as follows: End post assemblies shall consist of: one end post, one approach post, two braces, four diagonal tension wires and all necessary fittings and hardware. Pull post assemblies shall consist of: one pull post, two braces, four diagonal tension wires and necessary fittings and hardware. Corner post assemblies shall consist of: one corner post, two approach posts, four braces, eight diagonal tension wires and all necessary fittings and hardware.
21. All posts, braces, tension wires, fabric, tie wires, Class NS concrete, and all miscellaneous fittings and hardware to be included in the cost for Fencing, LF. Fencing shall be inclusive of the lengths of pull, end and corner post assemblies, but exclusive of gate widths.

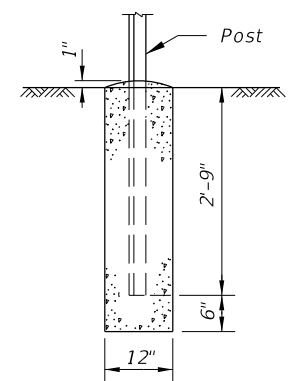
C:\projects\standards\roadway\0800-s\0801-01.dgn 9:44:06 AM 12/30/2011 r1960/h

LAST REVISION	01/01/10	REVISION	DESCRIPTION:		FDOT DESIGN STANDARDS FY 2012/2013	FENCE TYPE A	INDEX NO.	SHEET NO.
							801	1

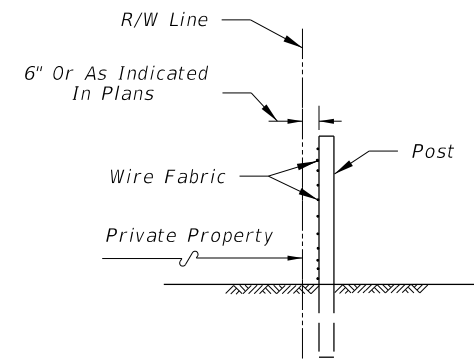
C:\projects\standards\roadway\0800-s\0801-02.dgn
 r1960/h
 9:44:07 AM
 12/30/2011



Note: Timber Post Illustrated.



(Pull, Corner, End And Approach Posts)
CONCRETE BASE FOR ANGULAR STEEL POST



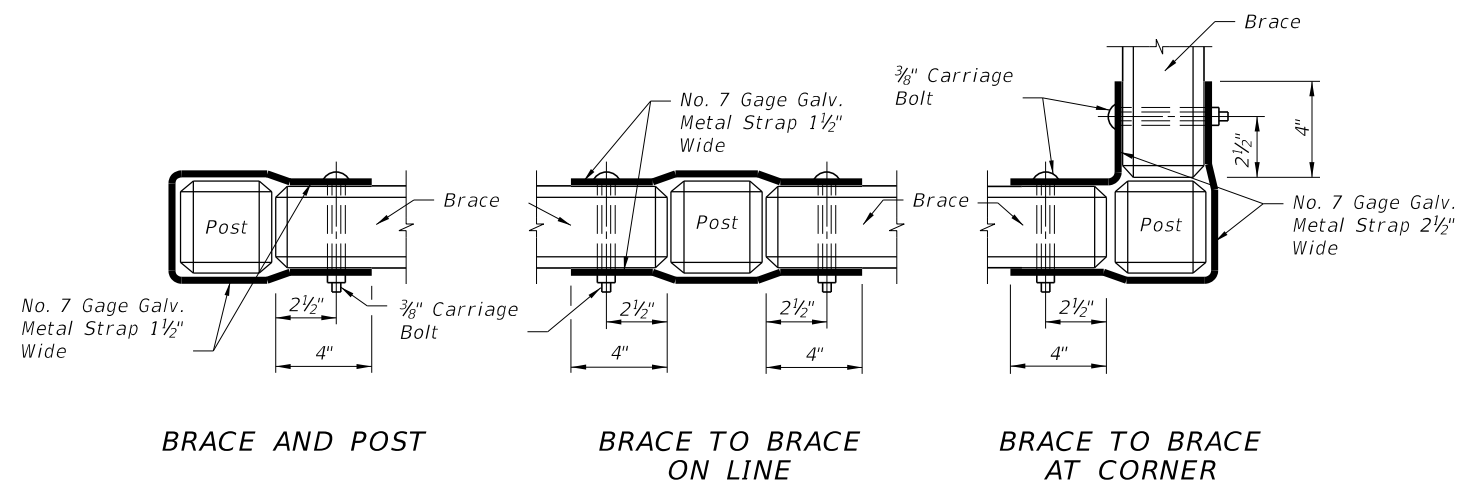
FENCE POSITION AT LOCATIONS WITHOUT FRONTAGE ROADS
 (REFER TO DETAIL PLANS FOR FENCE POSITION AT LOCATIONS WITH FRONTAGE ROADS)

DESIGN NOTE

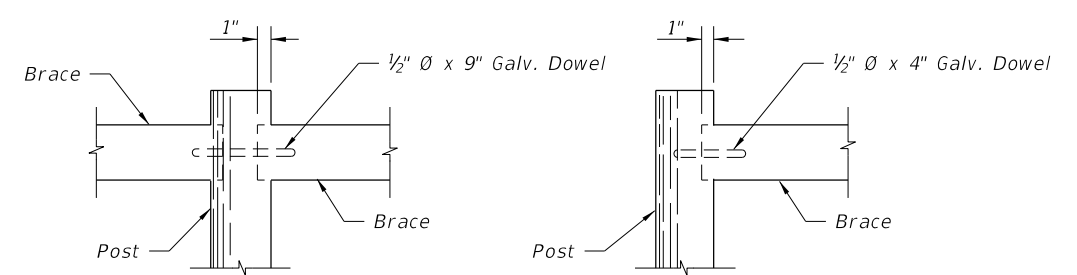
This index details fencing that is constructed with farm fabric 46½" (47" nominal) in height and with specific ground clearance and specific barbed wire spacings. For fencing of different height or installation details, the fence shall be fully detailed in the Contract plans.

LAST REVISION	REVISION	DESCRIPTION:	 FDOT DESIGN STANDARDS FY 2012/2013	FENCE TYPE A	INDEX NO.	SHEET NO.
07/01/07					801	2

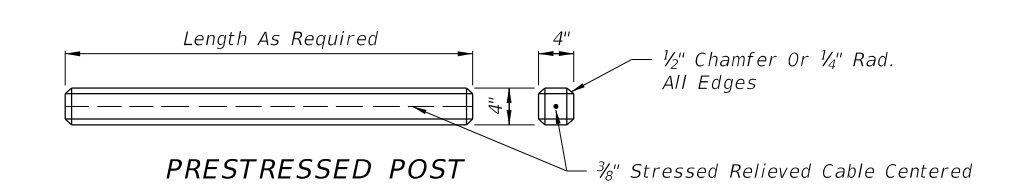
12/30/2011 9:44:08 AM r19960/h C:\projects\standards\roadway\0800-s\0801-03.dgn



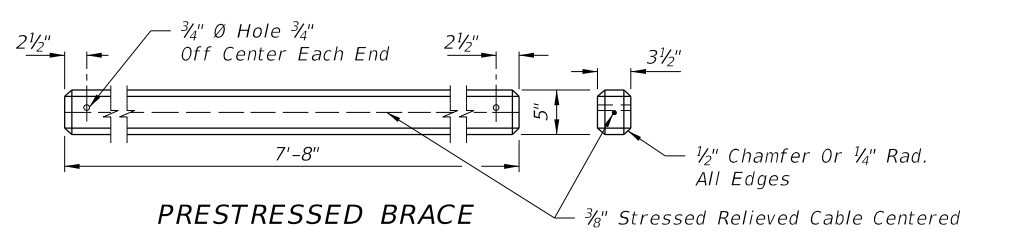
FASTENER FOR CONCRETE POST AND BRACES



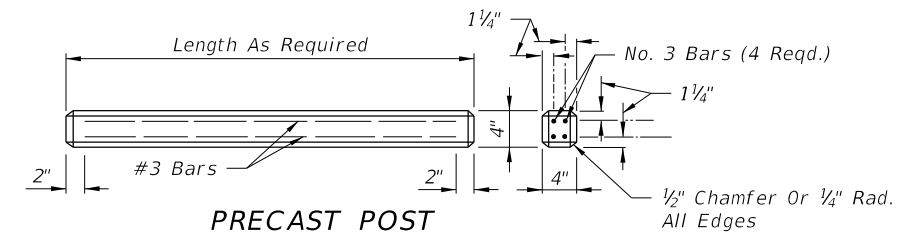
FASTENER FOR TIMBER POST AND BRACE



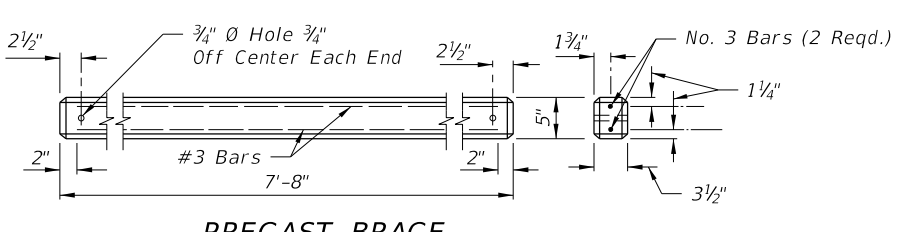
PRESTRESSED POST



PRESTRESSED BRACE

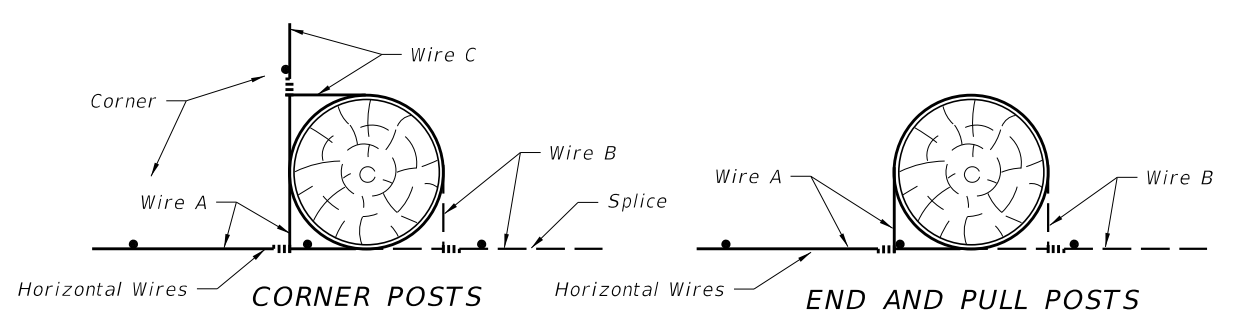


PRECAST POST




PRECAST BRACE

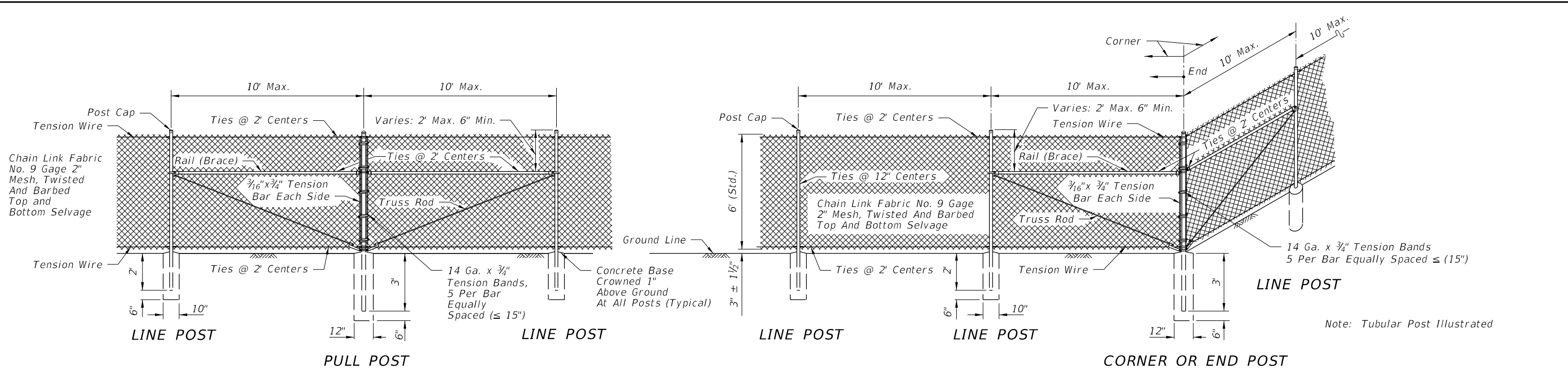
ALTERNATE CONCRETE POSTS AND BRACES



Each horizontal wire to be wrapped around corner, end and pull posts and tied to same wire. See General Notes 5 and 17. Timber post illustrated. These methods also apply to steel and concrete post illustrations.

SPLICES

LAST REVISION	REVISION	DESCRIPTION:		FDOT DESIGN STANDARDS FY 2012/2013	FENCE TYPE A	INDEX NO.	SHEET NO.
07/01/05						801	3



GENERAL NOTES

1. This fence to be used generally in urban areas.
2. For supplemental information refer to Section 550 of FDOT Standard Specifications.
3. Chain link fabric, post, truss rods, tension wires, tie wires, stretcher bars, gates and all miscellaneous fittings and hardware shall meet the requirements of AASHTO and ASTM signify current reference.
4. Fence Component Options:
 - A. Line post options:
 - (1) Galvanized steel pipe, Schedule 40- 1 1/2" nominal dia. zinc galvanized at the rate of 1.8 oz./ft².: ASTM A53 Table 2 (Grade A or B), ASTM F1083, and AASHTO M111.
 - (2) Aluminum coated steel pipe: ASTM A53, Table 2 (Grade A or B): Schedule 40- 1 1/2" nominal dia., 1.90" OD; coated at the rate 0.40 oz./ft.: AASHTO M111.
 - (3) Aluminum alloy pipe- 2" nominal dia.: ASTM B241 or B221, Alloy 6063, T6.
 - (4) Steel H-Beam- 1 1/8" x 1 3/8": Zinc Galv. 1.8 oz./ft.: AASHTO M111 and Detail.
 - (5) Aluminum alloy H-Beam- 1 7/8" x 1 3/8" Detail.
 - (6) Steel C- 1 7/8" x 1 3/8": Galv.: 1.8 oz/ft. zinc: AASHTO M111; OR , 0.9 oz./ft². zinc-5% aluminum-mischmetal: ASTM F1043 and Detail.
 - (7) Resistance welded steel pipe; 50,000 psi min. yield strength ASTM A569/A569M, A653/A653M or undepleted stock of discontinued A446/A446M base materials; ASTM F669 Group IV (Alternative Design); fence industry 2" OD, 1 1/2" NPS, 1.900" dec. equiv., 0.120" min. wall thick. and min. wt. 2.28 lb./ft.; with ASTM F1043 metric equivalent internal coating Types A, B, C or D and external coating Types A, B, or C; the chromate conversion coating of external Type B shall have a thickness of 15µg/in². min. and the polymer film topcoat shall have a thickness of 0.0003" min.; internal and external coatings are not restricted to the combinations of Table 2, ASTM F1043.
 - B. Corner, end, and pull post options:
 - (1) Galvanized steel pipe, Schedule 40- 2" nominal dia. zinc galvanized at the rate of 1.8 oz./ft².: ASTM A53 Table X 2, ASTM F1083, and AASHTO M111.
 - (2) Aluminum coated steel pipe: ASTM A53 steel, X 2 Tables: Schedule 40; 2" nominal dia., 2.375" OD; coated at the rate 0.40 oz./ft.: AASHTO M111.
 - (3) Aluminum alloy pipe- 2 1/2" nominal dia.: ASTM B241 or B221, Alloy 6063,T6.
 - (4) Resistance welded steel pipe; 50,000 psi min. yield strength ASTM A569/A569M, A653/A653M or undepleted stock of discontinued A446/A446M base materials; ASTM F669 Group IV (Alternative Design); fence industry 2 1/2" OD, 2" NPS, 2.375" dec. equiv., 0.130" min. wall thick. and min. wt. 3.117 lb./ft.; with ASTM F1043 metric equivalent internal coating Types A, B, C or D and external coating Types A, B, or C; the chromate conversion coating of external Type B shall have a thickness of 15µg/in². min. and the polymer film topcoat shall have a thickness of 0.0003" min.; internal and external coatings are not restricted to the combinations of Table 2, ASTM F1043.

- C. Rail options:
 - (1) Galvanized steel pipe, Schedule 40- 1 1/4" nominal dia. zinc galvanized at the rate of 1.8 oz./ft².: ASTM A53 Table X 2, ASTM F1083, and AASHTO M111.
 - (2) Aluminum coated steel pipe; ASTM A53 steel, X 2 Tables Schedule 40; 1 1/4" nominal dia., 1.660" OD; coated at the rate 0.40 oz./ft.: AASHTO M111.
 - (3) Aluminum alloy pipe- 1 1/4" nominal dia.: ASTM B241 or B221, Alloy 6063, T6.
 - (4) Resistance welded steel pipe; 50,000 psi min. yeild strength ASTM A569/A569M, A653/A653M or undepleted stock of discontinued A446/A446M base materials; ASTM F669 Group IV (Alternative Design); fence industry 1 3/8" OD, 1 1/4" NPS, 1.660" dec. equiv., 0.111" min. wall thick. and min. wt. 1.836 lb./ft.; with ASTM F1043 metric equivalent internal coating Types A, B, C or D and external coating Types A, B, or C; the chromate conversion coating of external Type B shall have a thickness of 15µg/in². min. and the polymer film topcoat shall have a thickness of 0.0003" min.; internal and external coatings are not restricted to the combinations of Table 2, ASTM F1043.
- D. Chain link fabric options (2" mesh with twisted and barbed selvage top and bottom for all options except as described in Note No. 10):
 - (1) AASHTO M181 Type I - Zinc Coated Steel, No. 9 gage (coated wire diameter), coated at the rate of 1.8 oz/ft². (M181 Class D 2.0 oz./ft². modified to 1.8 oz./ft²).
 - (2) AASHTO M181 Type II -Aluminum Coated Steel, No. 9 gage (coated wire diameter), coated at the rate of 0.40 oz./ft².
 - (3) AASHTO M181 Type IV- Polyvinyl Chloride (PVC) Coated Steel, No. 9 guage (coated core wire diameter), core wire-zinc coated steel. PVC coating: M181 Class A (either extruded or extruded and bonded) or Class B (bonded). See table right. Unless the plans call for M181 standard colors medium green, dark green or black the coating color shall be soft gray matching that of No. 36622 of Federal Standard 595a.
- E. Tension wire options:
 - (1) Steel wire No. 7 gage zinc galvanized at the rate of 1.2 oz./ft².: AASHTO M181.
 - (2) Aluminum alloy wire with a diameter of 0.1875" or larger conforming to the requirements of ASTM B211, Alloy 5056 Temper H38, or, Alclad Alloy 5056 Temper H192.
 - (3) Aluminum coated steel wire No.7 gage coated at the rate of 0.040 oz./ft².: AASHTO M181.
- F. Tie wire and hog ring options:
 - (1) Steel wire No.9 gage zinc galvanized at the rate of 1.2 oz./ft².
 - (2) Aluminum alloy wire with a diameter of 0.1443" or larger conforming to the requirements of ASTM B211, Alloy 5056 Temper H38, or, Alclad Alloy 5056 Temper H192.
 - (3) Aluminum coated steel wire No. 7 gage coated at the rate of 0.040 oz./ft².

C:\projects\standards\roadway\0800-s\0802-01.dgn 12/30/2011 9:44:08 AM r0960/h

LAST REVISION	07/01/09	DESCRIPTION:	 FDOT DESIGN STANDARDS FY 2012/2013	FENCE TYPE B	INDEX NO.	SHEET NO.
					802	1

GENERAL NOTES CONTINUED

5. Unless a specific material is called for in the plans the Contractor may elect to use either a single type of material or a combination of material types from the component options listed in note 4. Combinations of optional materials are restricted as follows:
 - (a) Only one fabric optional material will be permitted between corner and/or end post assemblies.
 - (b) Only one line post optional material will be permitted between corner and/or end post assemblies.
 - (c) Pull post assemblies shall be optional materials identical to either the linepost optional material or the corner and end post assembly optional material; but, pull post assemblies shall be the same optional material between any set of corner and/or end post assemblies.
6. Concrete for bases shall be Class NS concrete as specified in Section 347 of the Standard Specifications or a packaged, dry material meeting the requirements of a concrete under ASTM C-387. Materials for Class NS concrete may be proportioned by volume and/or by weight.
7. Line post shall be 8'-6" long (Standard). Line post are to be set in concrete as described above or by the following methods:
 - (a) In accordance with special details and/or as specifically described in the contract plans and specifications.
 - (b) In accordance with ASTM F567 Subsections 5.4 through 5.10 as approved by the Engineer. Line post installed in accordance with Section 5.8 shall be 9'-6" long.
 - (c) Post mounted on concrete structure or solid rock shall be mounted in accordance with the base plate detail "Fence Mounting On Concrete Endwalls And Retaining Wall", Sheet 3; or, by embedment in accordance with ASTM F567 Subsection 5.5.

End, pull and corner post assemblies shall be in concrete as detailed above for all soil conditions other than solid rock. Post within assemblies that are located on concrete structures or solid rock shall be set by base plate or by embedment as prescribed under (b) above for line post.

Line and assembly post set in concrete bases shall be set an additional 3" in depth for each 1' of fence height greater than 6'.
8. Pull post shall be used at breaks in vertical grades of 15° or more, or at approximately 350' centers except that this maximum interval may be reduced by the Engineer on curves where the curve is greater than 3°.
9. Corner post are to be installed at all horizontal breaks in fence at 15° or more and as required at vertical breaks over 15° as determined by the Engineer.
10. When fence has an installed top of fabric height less than 6' knuckled top and bottom selvages shall be used unless the plans specifically identify locations for twisted selvage fabrics.
11. Unless sliding gates or special gates are called for in the plans, all gates shall be chain link swing gates meeting the material requirements described and as approved by the Engineer. Payment shall include the gates, single or double, all necessary hardware for installation and any additional length and/or size for posts at the opening. Gates shall be paid for under the contract unit price for Fence Gates, EA.
12. For construction purposes corner post assemblies shall consist of one corner post, two braces, two truss rods, and all necessary fittings and hardware as detailed. End post assemblies shall consist of one end post, one brace, one truss rod and all necessary fittings and hardware as detailed.
13. All post, tension wires, chain link fabric, tie wires, Class NS concrete, and all miscellaneous fittings and hardware to be included in the cost for Fencing, LF.

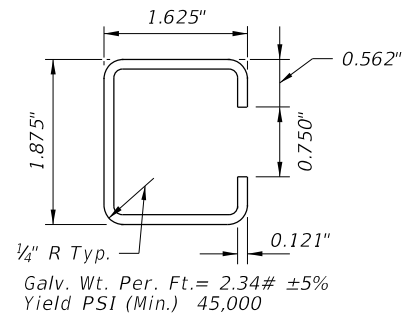
TYPE IV VINYL COATED FABRIC								
AASHTO M181 Table 4 Redefined As Follows								
Specified Diameter Of Metallic Coated Core Wire		Minimum Weight Of Zinc Coating		PVC Thickness Range				
				M181 Class A (Extruded Or Extruded And Bonded Coating)		M181 Class B (Bonded Coating)		
in.	mm	gage	oz./ft ² .	g/m ²	in.	mm	in.	mm
0.148	3.77	9	0.30	92	0.015 to 0.025	0.38 to 0.64	0.006 to 0.010	0.15 to 0.25

DESIGN NOTE

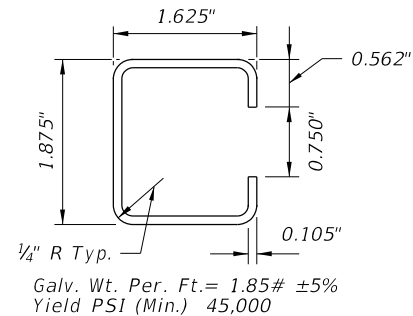
This index details fencing that is constructed with chain link fabric 6' (nominal) in height and with specific ground clearance. For fencing of different height or installation details, the fence shall be fully detailed in the Contract plans.

C:\projects\standards\roadway\0800-s\0802-02.dgn 12/30/2011 9:44:09 AM r1960/h

LAST REVISION	07/01/09	DESCRIPTION:	 FDOT DESIGN STANDARDS FY 2012/2013	FENCE TYPE B	INDEX NO.	SHEET NO.
					802	2

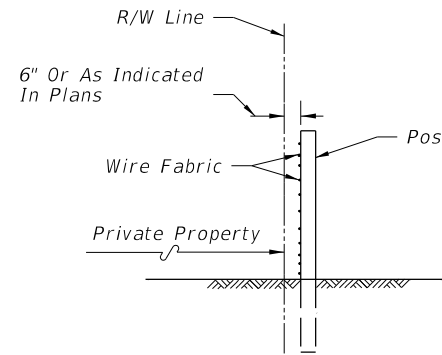


STANDARD WALL



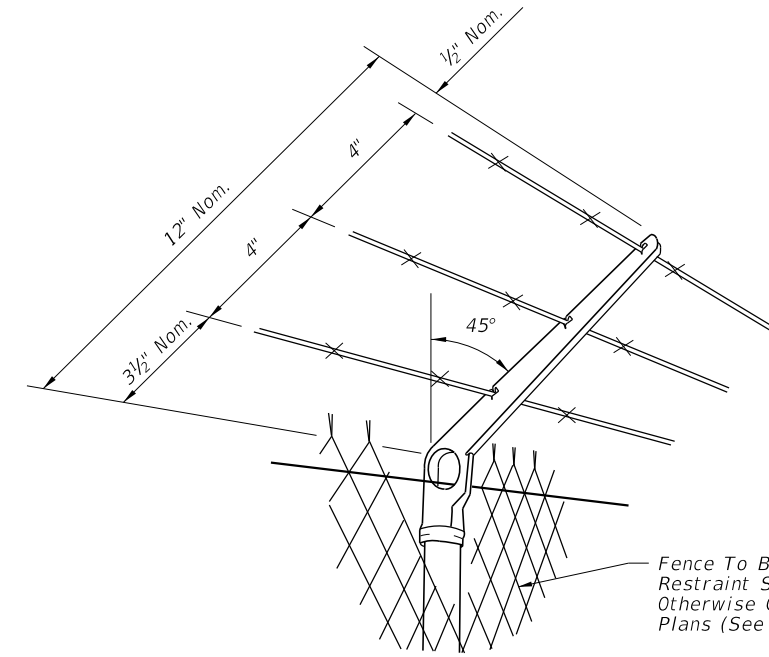
THINWALL

OPTIONAL "C" LINE POST



FENCE POSITION AT LOCATIONS WITHOUT FRONTAGE ROADS

(REFER TO DETAIL PLANS FOR FENCE POSITION AT LOCATIONS WITH FRONTAGE ROADS)

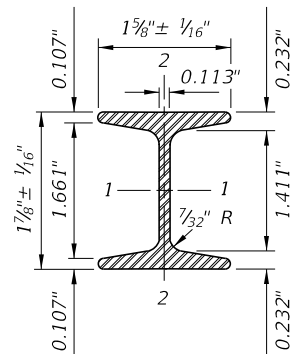


NOTES

Attachments to be used only when called for in the plans. Attachments to extend in direction of restraint. Unless otherwise called for in plans, direction of restraint will be as follows:

- Outward on limited access right of way line.
- Outward on controlled access right of way line.
- Outward from utilities and hazardous facilities located within highway right of way.
- Outward from lateral ditches, outfalls, retention basins, canals, borrow areas and similar support facilities.
- Inward on pedestrian ways.

The cap-arm shall be designed to provide a drive fit over the top of posts and to exclude moisture in posts with tubular sections.

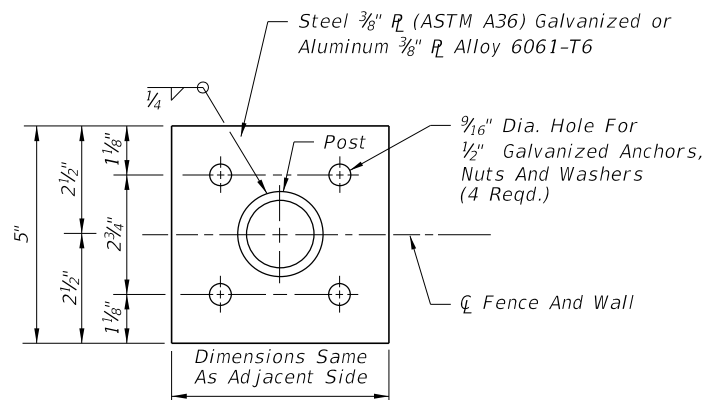


	STEEL	ALUMINUM
Area (Sq. In.)	724	724
Weight (Lb./Ft.)	2.72 ± 5% (Galv.)	0.91 ± 5%
Surface Area (SF/Ft.)	0.776	0.776
Tensile Strength (psi Min.)	80,000	30,000
Yielding Point (psi Min.)	48,000	25,000

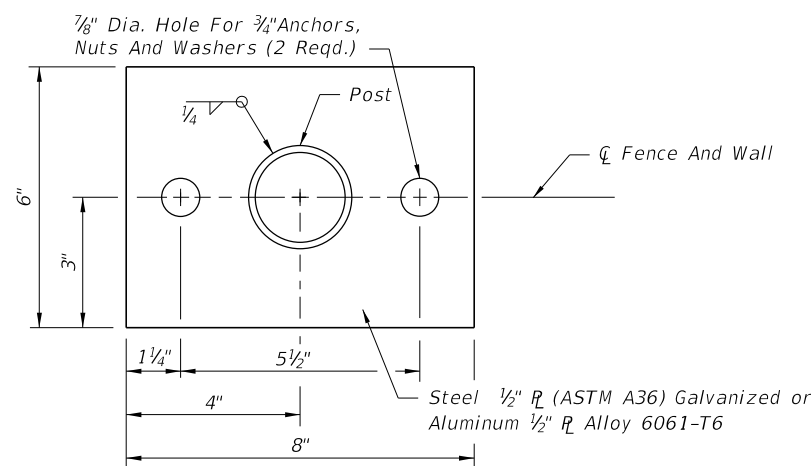
	Axes		Axes	
	1-1	2-2	1-1	2-2
Moment Of Inertia	0.428	0.101	0.428	0.101
Section Modulus	0.456	0.124	0.456	0.124
Rad. Of Gyration	0.779	0.373	0.779	0.373

OPTIONAL 1 7/8" x 1 5/8" H-BEAM LINE POST

BARB WIRE ATTACHMENT



TOP VIEW
FOUR ANCHOR PLATE OPTION



TOP VIEW
TWO ANCHOR PLATE OPTION

BASE PLATE AND ANCHOR NOTES:

- Base plate identical for line, pull, end and corner posts and shall be considered an integral part of the respective posts for basis of payment.
- Post to be plumbed by grout shim under base plate.
- Anchors (Galvanized Steel):
 - 12" Cast In Place, 10 1/2" Embedment: Headed Bolts, U-Bolts or Cluster Plates.
 - 8" Adhesive Anchors, 6" Min. Embedment.*
 *Adhesive anchors shall be headless anchor bolts set in drilled holes with an Adhesive Material System in accordance with Specification Sections 416 and 937; drilled holes shall be 1/8" larger in diameter than the anchor bolt. Expansion Bolts Not Permitted.

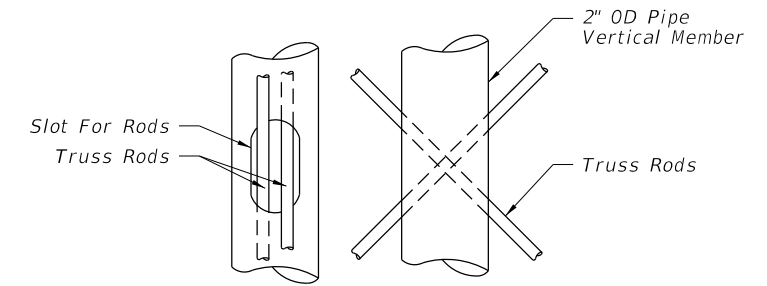
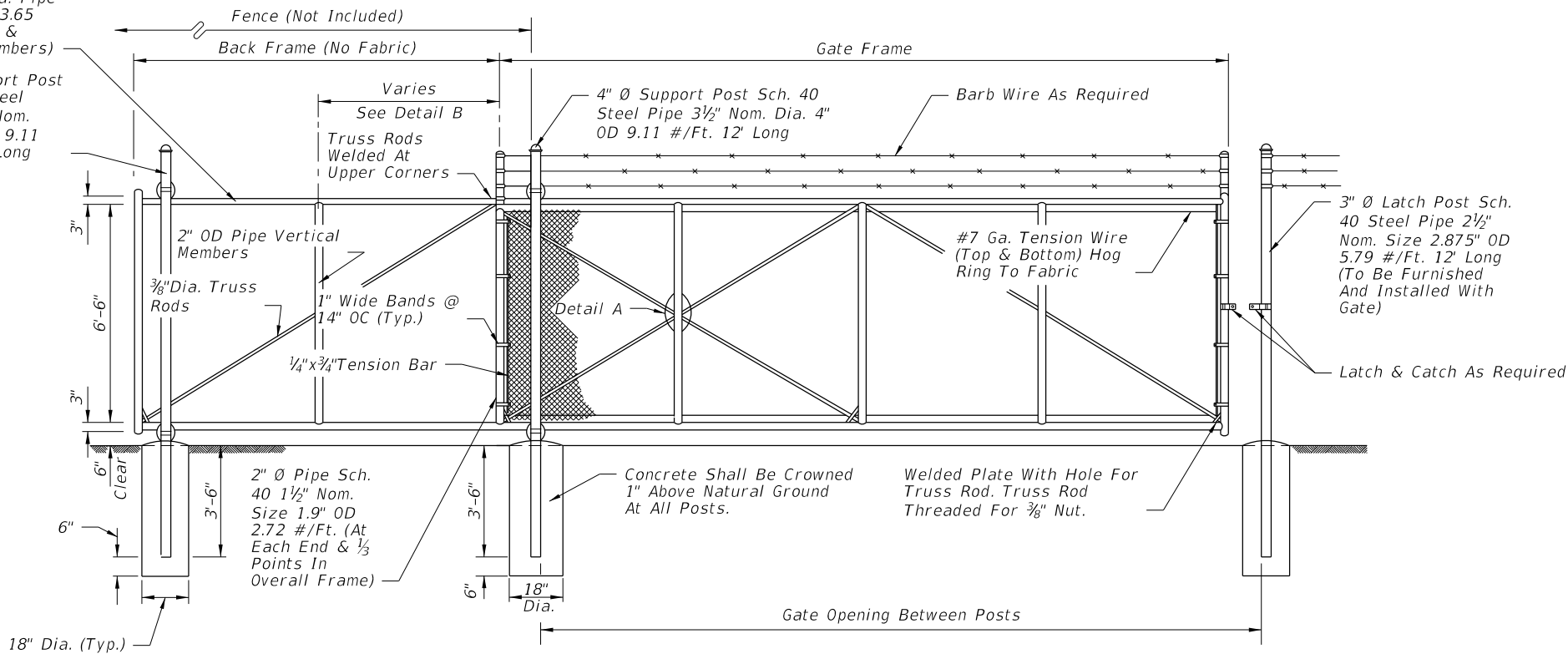
FENCE MOUNTING ON CONCRETE ENDWALL AND RETAINING WALLS

12/30/2011 9:44:10 AM r19960/h C:\projects\standards\roadway\0800-s\0802-03.dgn

LAST REVISION 07/01/09	DESCRIPTION:	 FDOT DESIGN STANDARDS FY 2012/2013	FENCE TYPE B	INDEX NO. 802	SHEET NO. 3
REVISION					

2" Nom. Dia. Pipe
2.375" OD 3.65
#/Ft. (Top &
Bottom Members)

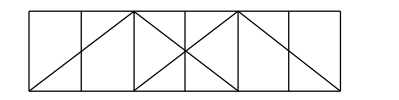
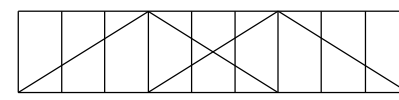
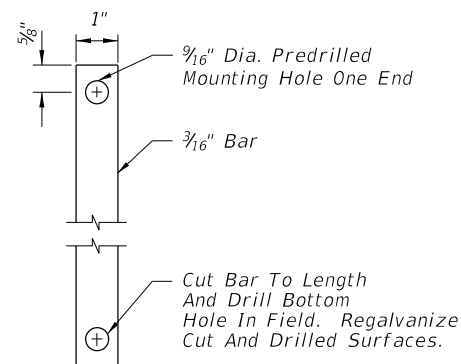
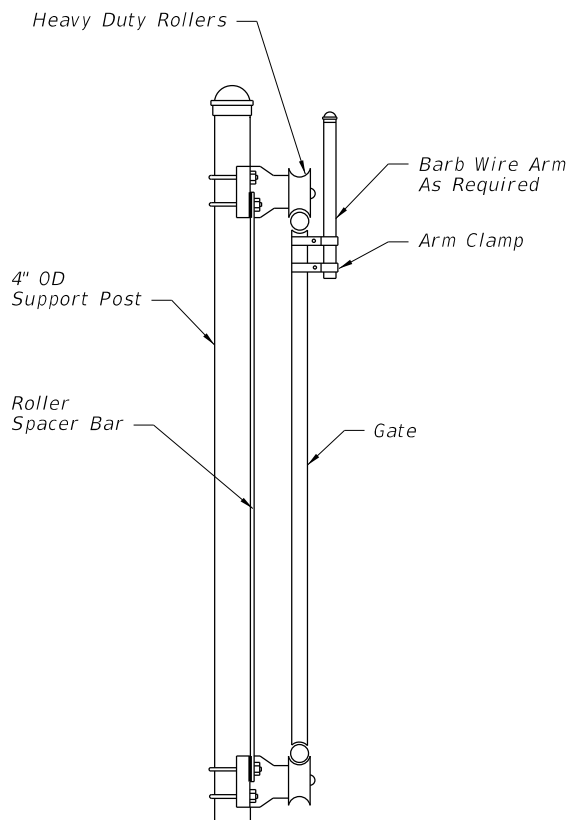
4" Ø Support Post
Sch. 40 Steel
Pipe 3 1/2" Nom.
Dia. 4" OD 9.11
#/Ft. 12' Long



GENERAL NOTES

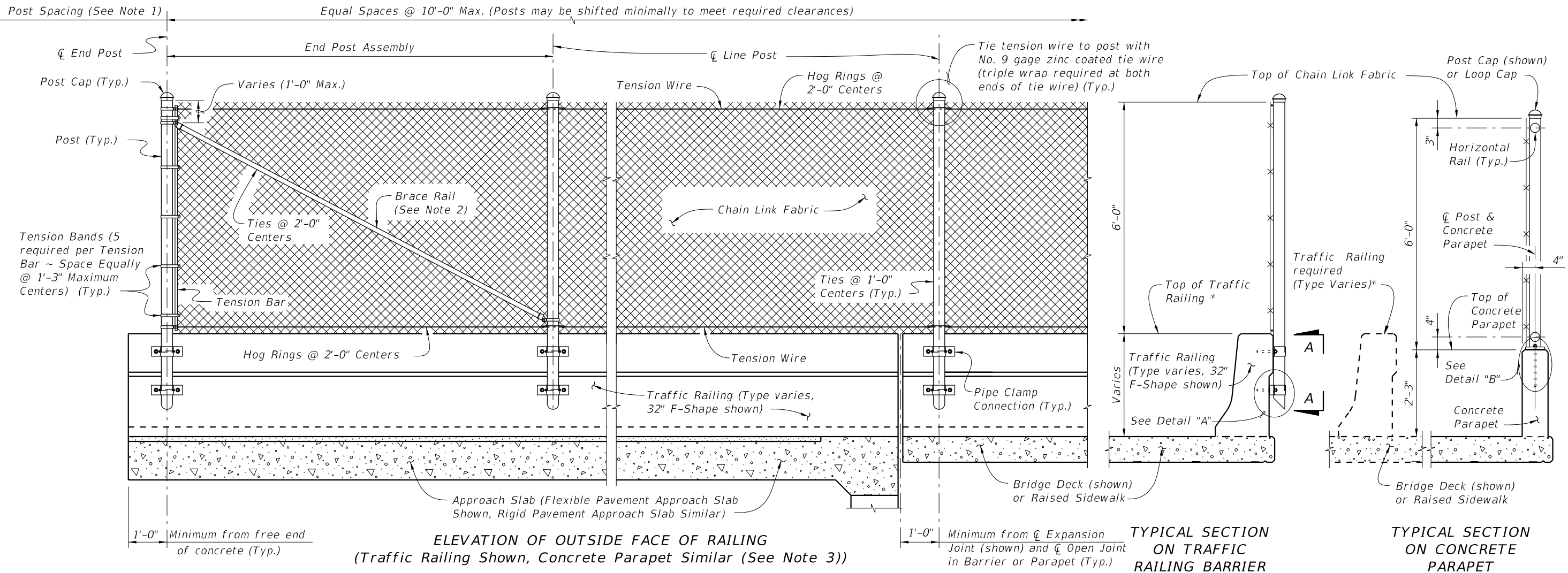
1. Extruded, rolled or formed components that provide equal strength and stability may be used in lieu of the pipe components shown; and, internal rollers may be used in lieu of the external roller units shown.
2. Steel gate frame shall be fabricated prior to galvanizing, except that truss rods may be fabricated following frame galvanizing provided surfaces damaged during welding are galvanized in accordance with Section 24 of AASHTO M36; or, fabricated from pipe components with protective coating meeting the requirements of Index No. 802 that are tolerant of welding (low burn back), and a protective coating applied to the weld and damaged pipe surfaces that is equivalent to the protective coating of the fabricated pipe stock.
3. All fabric shall be knuckled top and bottom selvages.
4. Concrete for bases shall be either Class NS concrete as specified in Section 347 of the Standard Specifications or a packaged, dry material meeting the requirements of a concrete under ASTM C-387. Materials for Class NS concrete may be proportioned by volume and/or by weight.
5. Cost of all gate components shall be included in the contract unit price for Sliding Fence Gate (Cantilever), EA.

GATE OPENING	GATE FRAME	BACK FRAME
12'	12'-3"	6'
16'	16'-3"	8'
20'	20'-3"	10'
24'	24'-3"	12'



DETAIL B

12/30/2011 9:44:11 AM r19960rh C:\projects\standards\roadway\0800-s\0803-01.dgn



NOTES:

1. A Pull Post Assembly is required at maximum intervals of 500'-0". See Sheet Nos. 3 of 4.
2. Brace rails are only required for vertical fence installations on Traffic Railing.
3. Provide horizontal rails for vertical fence installations on Concrete Parapets in lieu of tension wire. Locate horizontal rails as shown in the Typical Section for Concrete Parapets at right.

* Fencing shall not anchor to the top of Traffic Railings.

FENCING NOTES

FENCE INSTALLATION:

Install posts plumb (within a tolerance of $\pm 1\frac{1}{2}$ "). Use shim plates as required to achieve plumb. The required quantity and thickness of shim plates will be determined in the field. Install chain link fence in accordance with ASTM F 567 as applicable.

TRAFFIC RAILING DETAILS:

See Superstructure Sheets for Traffic Railing Barrier details.

CONCRETE PARAPET DETAILS:

See Index No. 820 - Pedestrian/Bicycle Railing for Concrete Parapet details. Provide fencing in lieu of aluminum bullet railing as shown on Index No. 820.

LIMITS OF FENCING:

Limits of fencing are from begin of approach slab at Begin Bridge to end of approach slab at End Bridge, unless otherwise shown in the plans.

PAYMENT:

Payment will be made under Fencing, Type R. Payment includes posts, horizontal and expansion rails, brace rails and bands, rail ends, combination rail ends, boulevard clamps, chain link fabric, tension wire, ties, hog rings, tension bars and bands, post and loop caps, pipe clamps, base plates, anchor rods, bolts, nuts, washers, shim plates, spacers, neoprene pads, miscellaneous fence fittings and hardware and all incidental materials and labor required to complete installation of the fence.

CROSS REFERENCE:

For Table of Fence Components, Table of Post Attachment Components, View A-A and Detail "A" see Sheet No. 2.

For Pull Post Assembly Detail for Traffic Railing Barriers see Sheet No. 3.

For Pull Post Assembly Detail for Concrete Parapets and Detail "B" see Sheet No. 4.

C:\projects\standards\structures\current\ready\4release\2012book_draft\00810-1of4.dgn rd960rh 9:44:14 AM 12/30/2011

LAST REVISION	REVISION	DESCRIPTION:	 FDOT DESIGN STANDARDS FY 2012/2013	BRIDGE FENCING (VERTICAL)	INDEX NO. 810	SHEET NO. 1
01/01/12						

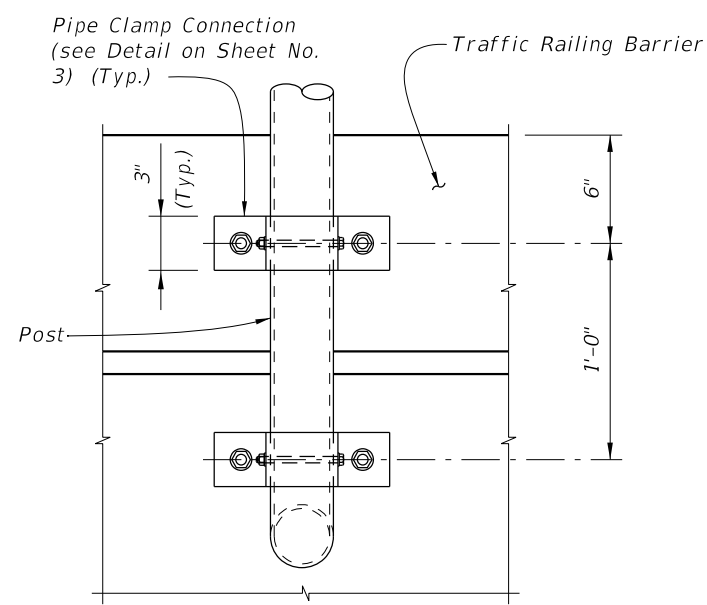
12/30/2011 9:44:15 AM rd960/h C:\projects\standards\structures\current\ready\4release\2012book_draft\00810-2of4.dgn

TABLE OF CHAIN LINK FENCE COMPONENTS

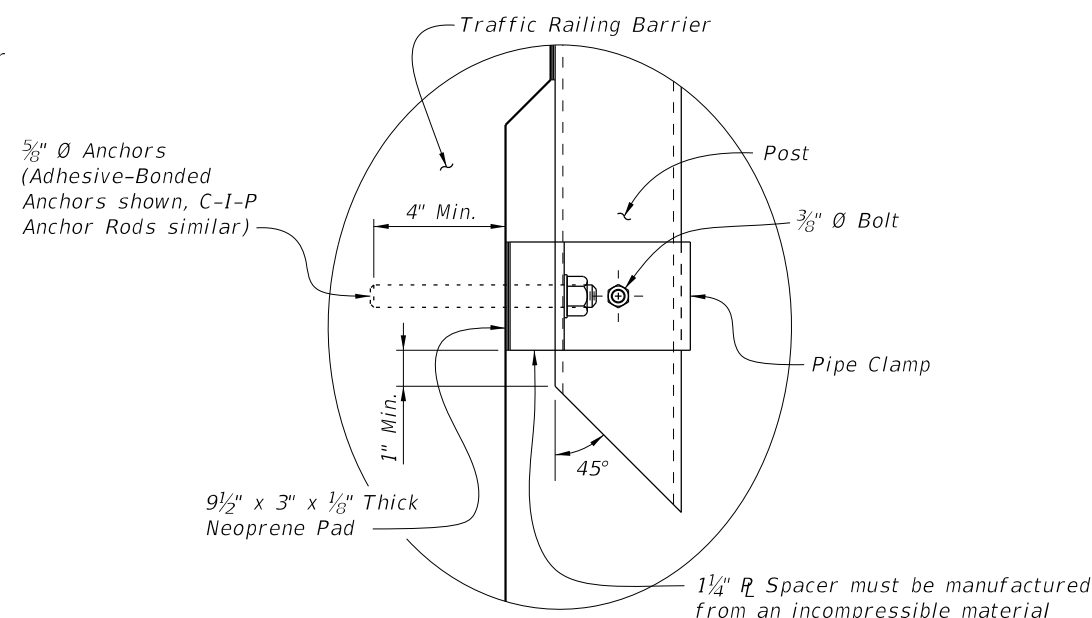
COMPONENT		ASTM DESIGNATION	COMPONENT INFORMATION
Traffic Railing Barriers and Concrete Parapets	Posts	F 1083	Galvanized Steel Pipe - 3" NPS, Schedule 40 (3.500" Outside Diameter, 0.216" Wall Thickness)
	Chain Link Fabric (2" mesh with twisted top and knuckled bottom selvage)	A 392	Zinc Coated Steel - No. 9 gage (coated wire diameter), Class 2 Coating
		A 491	Aluminum Coated Steel - No. 9 gage (coated wire diameter)
		F 668	Polyvinyl Chloride (PVC) Coated Steel - No. 9 gage Zinc Coated Wire (metallic-coated core wire diameter) ~ Specify the color of the polymer coating in the General Notes
	Tie Wires	F 626	Zinc Coated Steel Wire - No. 9 gage
	Brace Bands	F 626	No. 12 Gage (Min. thickness) x 3/4" (Min. width) Steel Bands (Beveled or Heavy)
	Tension Bars	F 626	3/16" (Min. thickness) x 3/4" (Min. width) x 5'-10" (Min. height) Steel Bars
	Tension Bands	F 626	No. 14 Gage (Min. thickness) x 3/4" (Min. width) Steel Bands
Miscellaneous Fence Components	F 626	Zinc Coated Steel ~ (includes post or loop caps, horizontal and brace rail ends, combination rail ends, boulevard clamps and all other miscellaneous fittings & hardware)	
Concrete Parapets	Horizontal Rails	F 1083	Galvanized Steel Pipe - 2 1/2" NPS, Schedule 40 (2.875" Outside Diameter, 0.203" Wall Thickness)
	Expansion Rails	F 1083	Galvanized Steel Pipe - 2" NPS, Schedule 40 (2.375" Outside Diameter, 0.154" Wall Thickness)
	Bolts	A 307	1/4" Ø x 4 1/4" Hex Head Bolts for Expansion Rail Connections
	Nuts	A 563	Hex Nuts for Expansion Rail Connections
	Washers	F 436	Flat Washers for Expansion Rail Connections
Traffic Railing Barriers	Tension Wire	A 824 & A 817	Type II (Zinc Coated Steel Wire) - No. 7 gage, Class 4 Coating Type I (Aluminum Coated Steel Wire) - No. 7 gage
	Hog Rings	F 626	Zinc Coated Steel Wire - No. 12 gage
	Brace Rails	F 1083	Galvanized Steel Pipe - 1 1/4" NPS, Schedule 40 (1.660" Outside Diameter, 0.140" Wall Thickness)

TABLE OF POST ATTACHMENT COMPONENTS

COMPONENT		ASTM DESIGNATION	COMPONENT INFORMATION
Pipe Clamps		A 36 or A 709 Grade 36	1/4" Steel R
Base Plates		A 36 or A 709 Grade 36	3/4" Steel R
Shim Plates		A 36 or A 709 Grade 36 or B 209 Alloy 6061-T6 or B 221 Alloy 6063-T5	Plate thicknesses as required; Holes in shim plates will be 3/4" Ø
Spacers		-	1 1/4" R for all materials
Pipe Clamp Connection	Adhesive Anchor Rods	F 1554 Grade 36	Fully threaded Headless Anchor Rods ~ 5/8" Ø x 6" (no spacer) or 5/8" Ø x 7 1/4" (with spacer)
	C-I-P Anchor Rods	F 1554 Grade 36	Hex Head Anchor Rods ~ 5/8" Ø x 6" (no spacer) or 5/8" Ø x 7 1/4" (with spacer)
Base Plate Connection	Adhesive Anchor Rods	F 1554 Grade 36	Fully threaded Headless Anchor Rods ~ 7/8" Ø x 14 1/2"
	C-I-P Anchor Rods	F 1554 Grade 36	Hex Head Anchor Rods ~ 7/8" Ø x 14 1/2"
Bolts		A 307	3/8" Ø x 4 3/4" Hex Head Bolts for Pipe Clamp Connections to Posts
Nuts		A 563	Hex Nuts for Pipe Clamp and Base Plate Connections
Washers		F 436	Flat Washers for Pipe Clamp and Base Plate Connections
Neoprene Pads		-	In accordance with Specification Section 932



VIEW A-A



DETAIL "A"

POST ATTACHMENT NOTES

ANCHOR RODS, NUTS AND WASHERS:

After the nuts have been tightened, distort the Anchor Rod threads to prevent removal of the nuts. Coat distorted threads and exposed trimmed ends of anchors with a galvanizing compound in accordance with Specification Section 975.

COATINGS:

Hot-dip galvanize all Nuts, Washers, Bolts, C-I-P Anchor Rods, Adhesive Anchors and Fence Framework (Posts, Internal Sleeves, Shim Plates, Base Plates, Pipe Clamps and Spacers) in accordance with Specification Section 962. Hot-dip galvanize Fence Framework after fabrication.

ADHESIVE-BONDED ANCHORS AND DOWELS:

Adhesive Bonding Material Systems for Anchors and Dowels will comply with Specification Section 937 and be installed in accordance with Specification Section 416. Cutting of reinforcing steel is permitted for drilled hole installation.

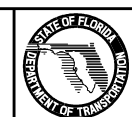
WELDING:

All welding will be in accordance with the American Welding Society Structural Welding Code (Steel) ANSI/AWS D1.1 (current edition). Weld metal will be E60XX or E70XX. Nondestructive testing of welds is not required.

CROSS REFERENCE:

For location of View A-A and Detail "A" see Sheet No. 1.

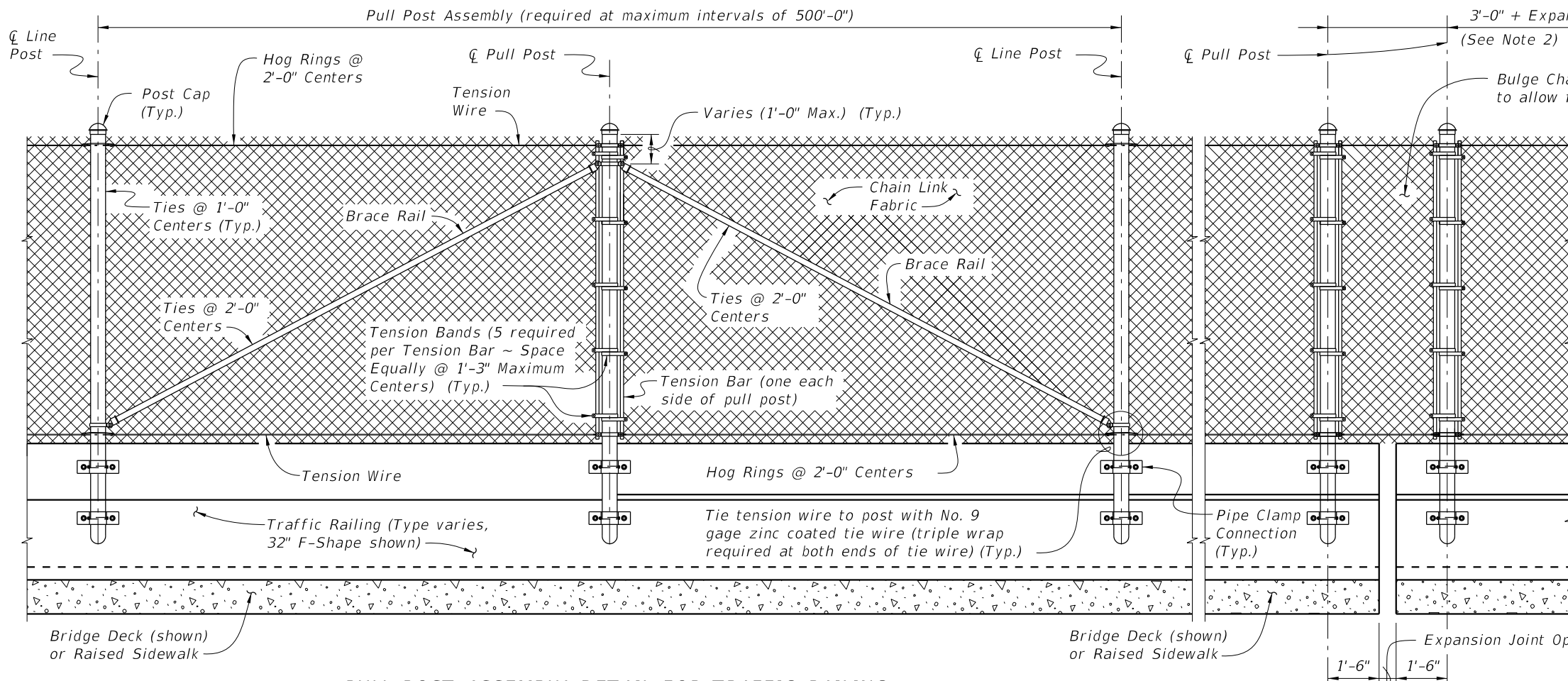
LAST REVISION	DESCRIPTION:
01/01/12	



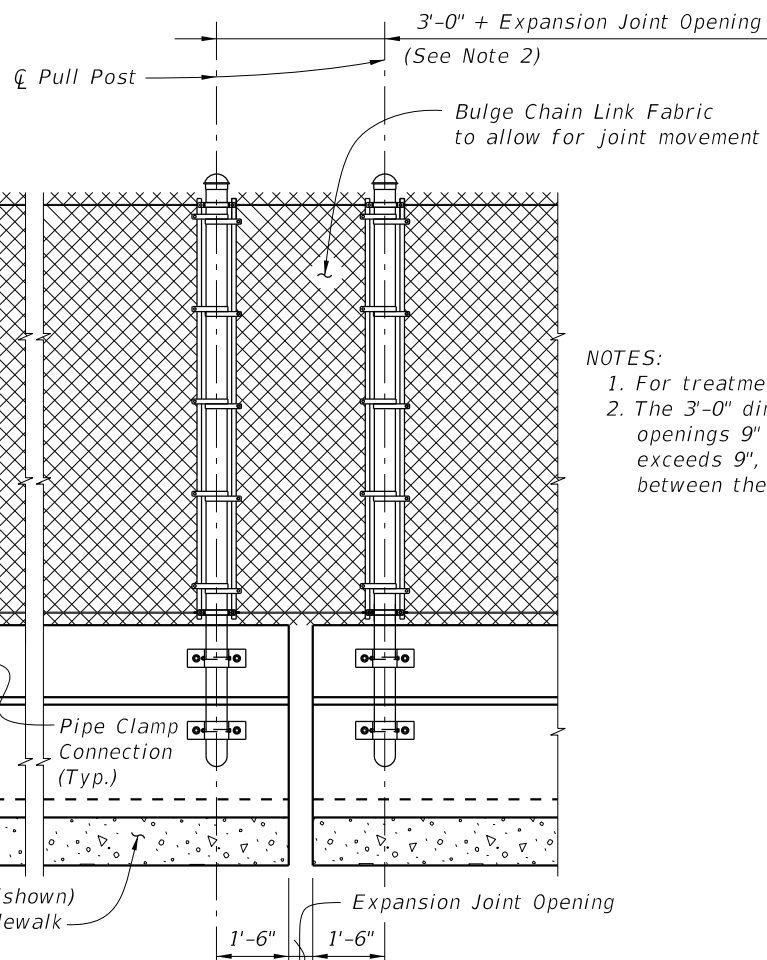
FDOT DESIGN STANDARDS
FY 2012/2013

BRIDGE FENCING (VERTICAL)

INDEX NO.	SHEET NO.
810	2



PULL POST ASSEMBLY DETAIL FOR TRAFFIC RAILING

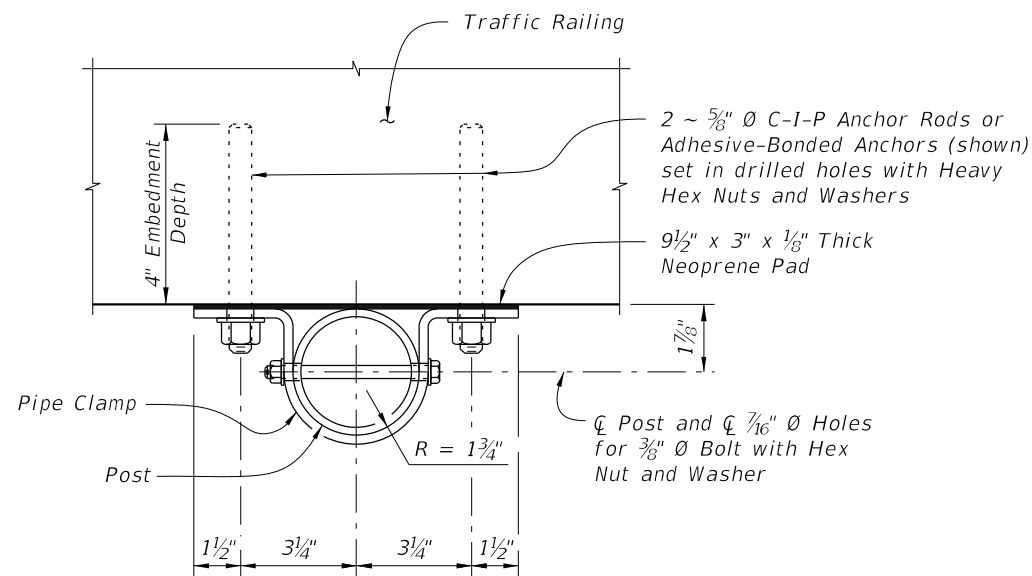


EXPANSION ASSEMBLY DETAIL

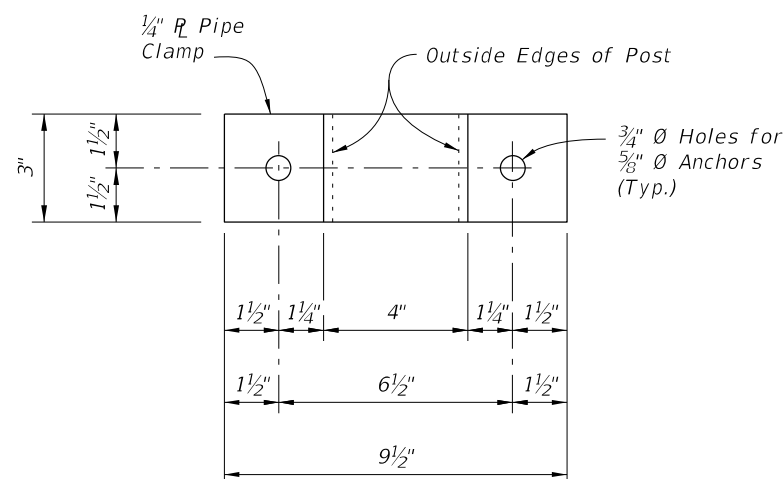
(Required only at expansion joint locations where total movement exceeds 6")

NOTES:

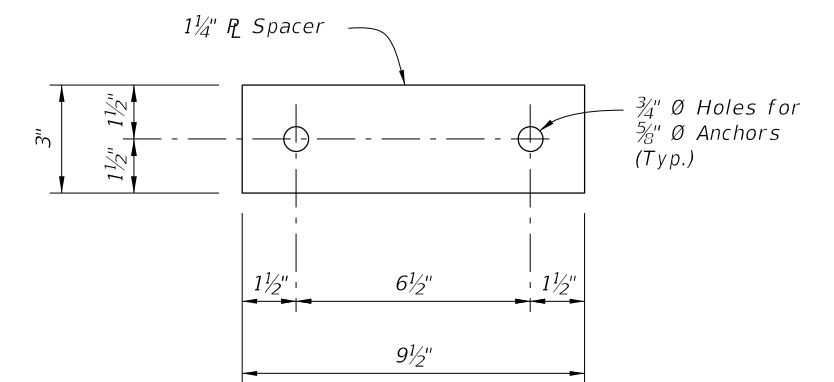
1. For treatment at bridge ends, see Sheet No. 1.
2. The 3'-0" dimension shown is for expansion joint openings 9" or less. If the expansion joint opening exceeds 9", increase this dimension by the difference between the expansion joint opening and 9".



PIPE CLAMP CONNECTION DETAIL
(Connection without spacer shown, Connection with spacer similar)



PIPE CLAMP DETAIL



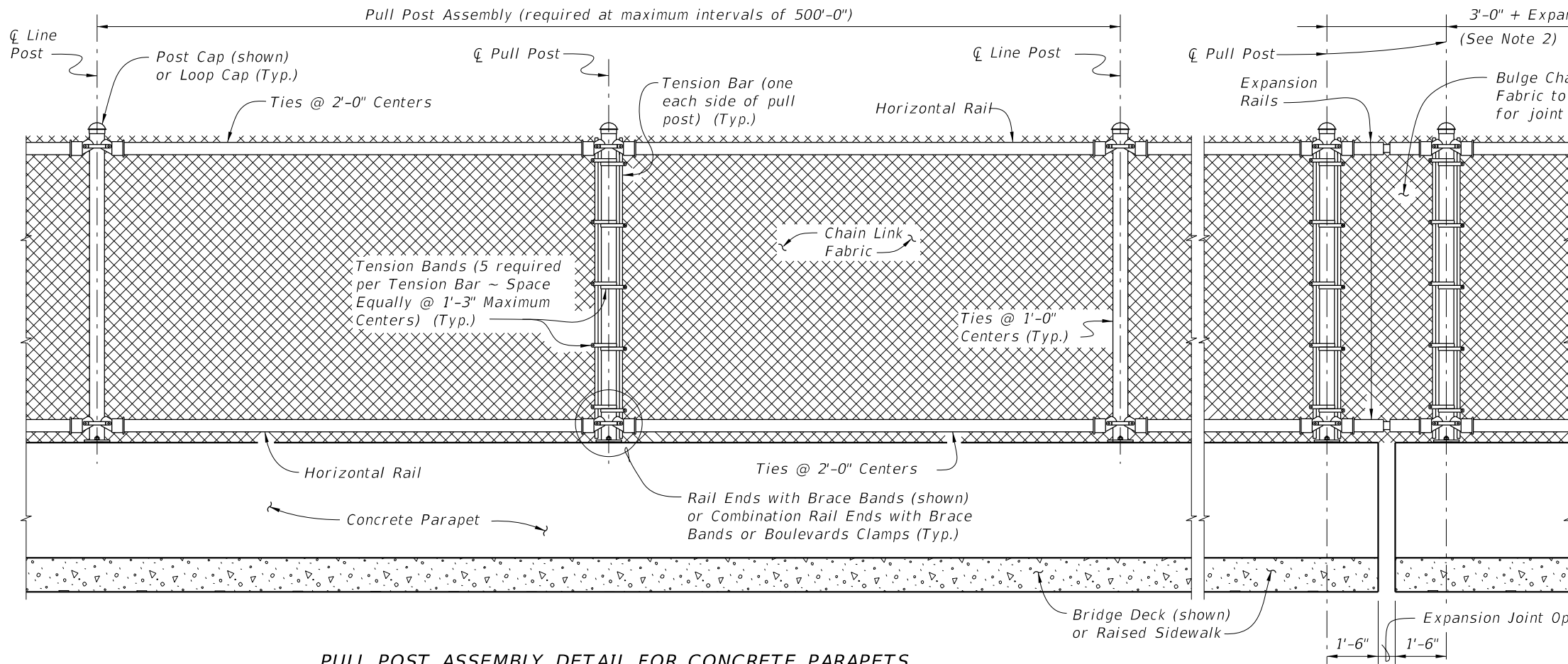
SPACER DETAIL

(Must be manufactured from an incompressible material (i.e., steel or aluminum))

12/30/2011 9:44:16 AM rd960rh C:\projects\standards\structures\current\ready\4release\2012book_draft\00810-3of4.dgn

LAST REVISION	01/01/11	DESCRIPTION:		FDOT DESIGN STANDARDS FY 2012/2013	BRIDGE FENCING (VERTICAL)	INDEX NO.	810	SHEET NO.	3
---------------	----------	--------------	---	--	----------------------------------	-----------	-----	-----------	---

12/30/2011 9:44:17 AM rd960rh C:\projects\standards\structures\current\ready\4release\2012book_draft\00810-4of4.dgn



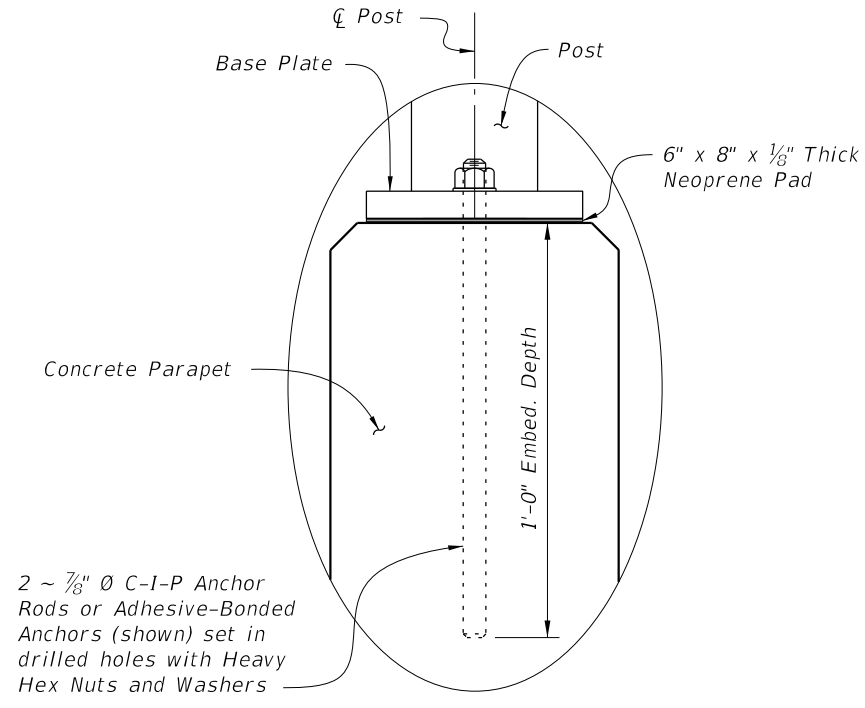
PULL POST ASSEMBLY DETAIL FOR CONCRETE PARAPETS

EXPANSION ASSEMBLY DETAIL

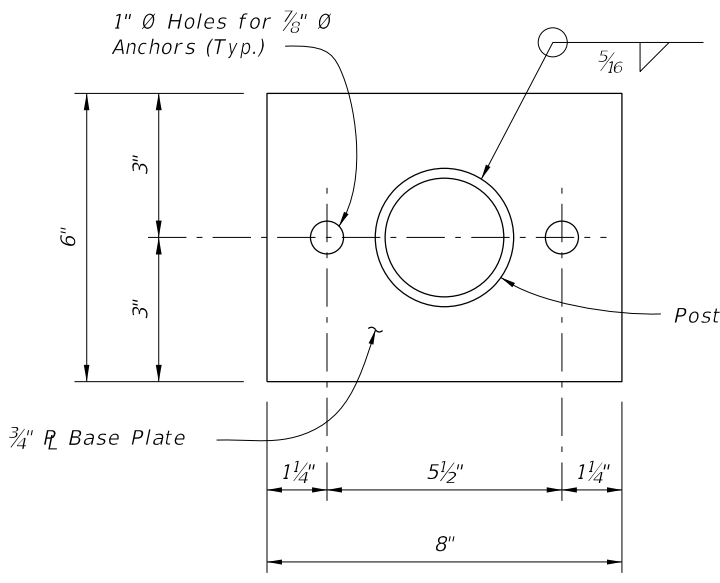
(Required only at expansion joint locations where total movement exceeds 6")

- NOTES:**
1. For treatment at bridge ends, see Sheet No. 1.
 2. The 3'-0" dimension shown is for expansion joint openings 9" or less. If the expansion joint opening exceeds 9", increase this dimension by the difference between the expansion joint opening and 9".
 3. This Dimension is the expansion joint opening plus 1/4". Expansion rails are required at expansion joint locations where the total movement exceeds 1", but is less than or equal to 6". Expansion rails are part of expansion assemblies when the total movement exceeds 6". Install expansion rails midway between the fence posts spanning the expansion joint.
 4. Install nuts for expansion rails finger-tight. Nuts will fully engage bolts with a minimum of one bolt thread extending beyond the nuts. Distort the first thread on the outside of the nut to prevent loosening.

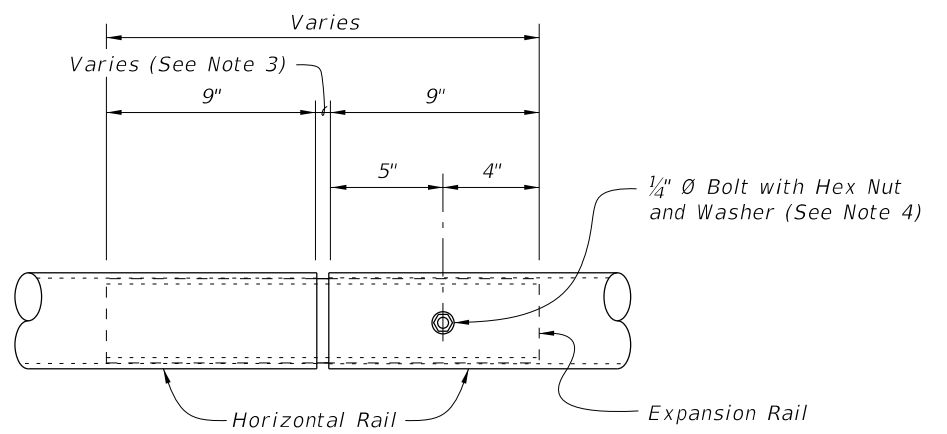
CROSS REFERENCE:
For location of Detail "B" see Sheet No. 1.



DETAIL "B"



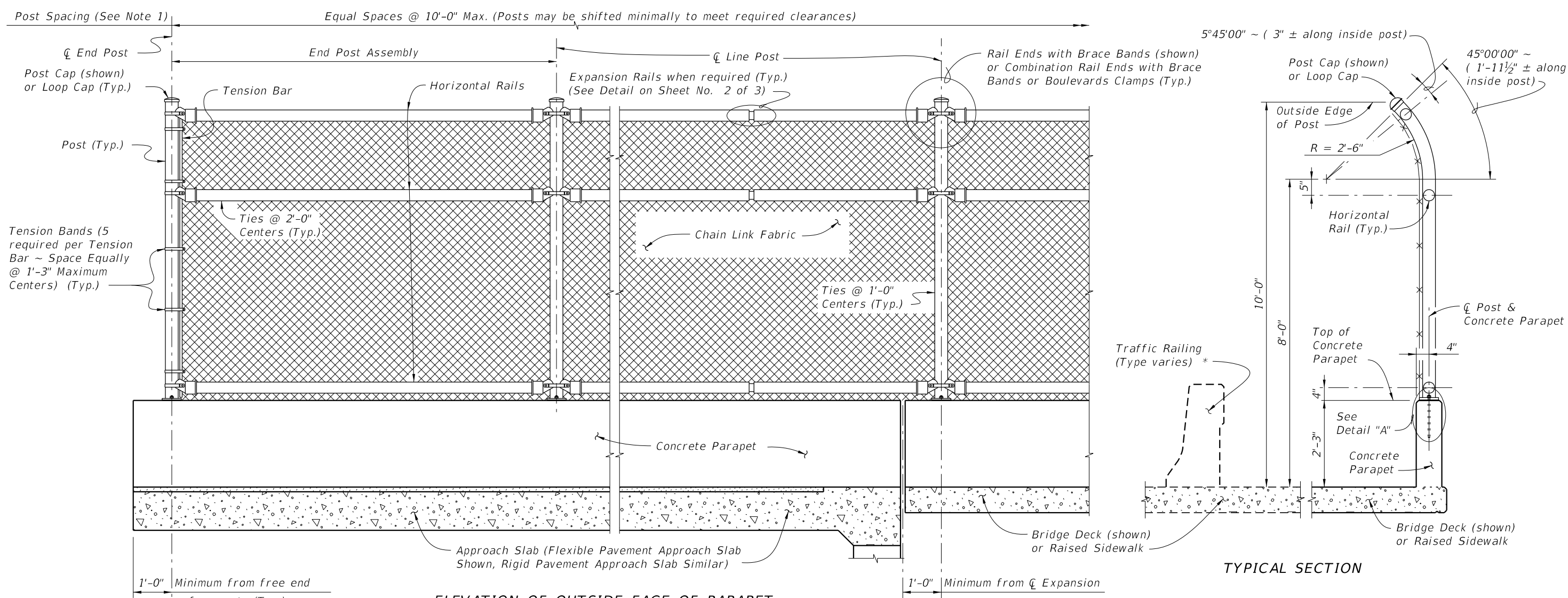
BASE PLATE DETAIL



EXPANSION RAIL DETAIL

LAST REVISION	REVISION	DESCRIPTION:		FDOT DESIGN STANDARDS FY 2012/2013	BRIDGE FENCING (VERTICAL)	INDEX NO.	SHEET NO.
07/01/05						810	4

C:\projects\standards\structures\current\ready\release_2012\book_draft\00811-1of3.dgn
 rd960/h
 9:44:18 AM
 12/30/2011



ELEVATION OF OUTSIDE FACE OF PARAPET

TYPICAL SECTION

NOTES:
 1. A Pull Post Assembly is required at maximum intervals of 500'-0". See Sheet No. 2 of 3.

* Fencing shall not anchor to the top of Traffic Railings.

FENCING NOTES

FENCE APPLICATION:
 This bridge fence can only be used on sidewalk installations separated from traffic by a traffic railing.

FENCE INSTALLATION:
 Install posts plumb (within a tolerance of $\pm 1\frac{1}{2}$ "). Use shim plates as required to achieve plumb. The required quantity and thickness of shim plates will be determined in the field. Install chain link fence in accordance with ASTM F 567 as applicable.

CONCRETE PARAPET DETAILS:
 See Index No. 820 - Pedestrian/Bicycle Bullet Railing for Concrete Parapet details. Provide fencing in lieu of aluminum bullet railing as shown on Index No. 820.

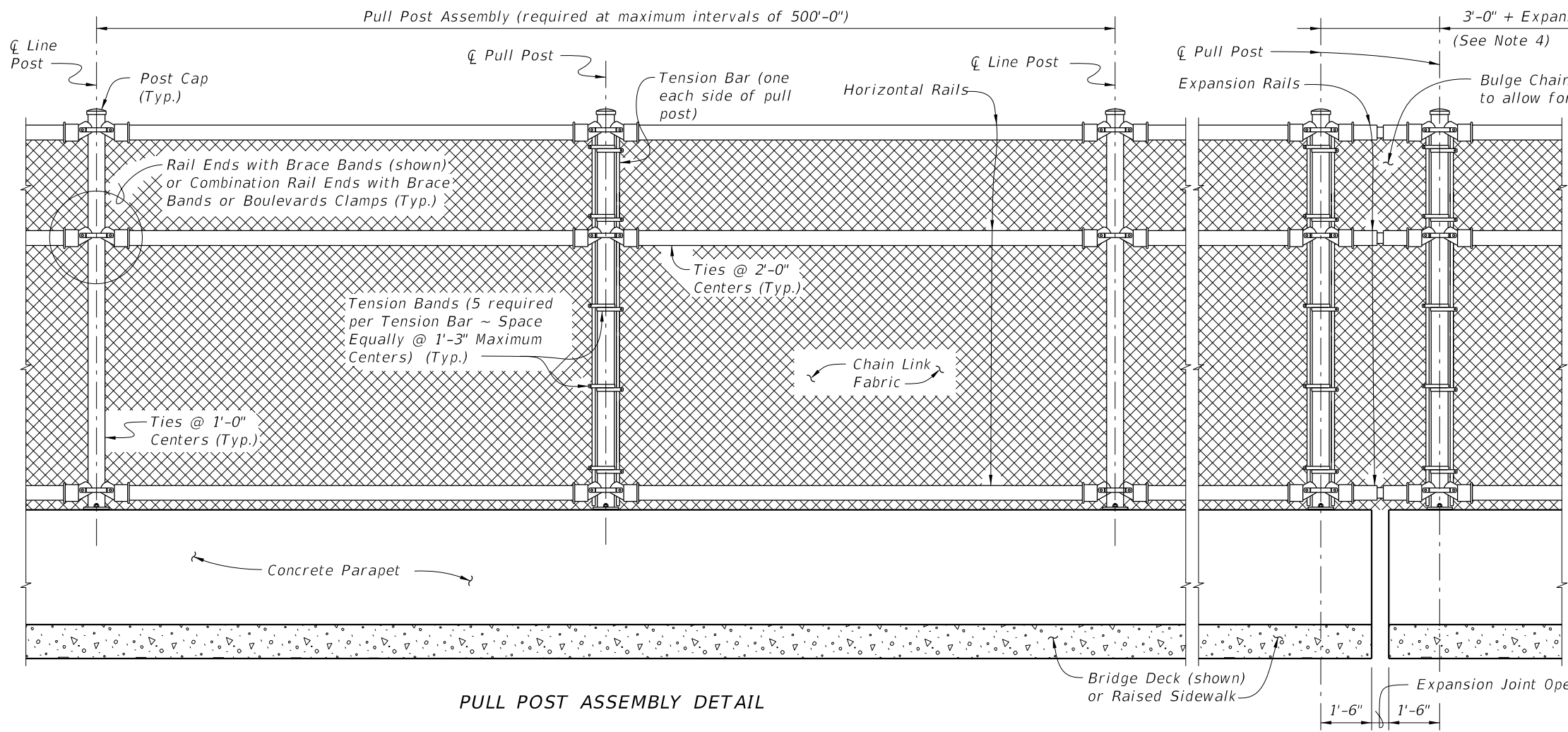
LIMITS OF FENCING:
 Limits of fencing are from begin of approach slab at Begin Bridge to end of approach slab at End Bridge, unless otherwise shown in the plans.

PAYMENT:
 Payment will be made under Fencing, Type R. Payment includes posts, horizontal and expansion rails, brace bands, rail ends, combination rail ends, boulevard clamps, chain link fabric, ties, tension bars and bands, post and loop caps, base plates, anchor rods, bolts, nuts, washers, shim plates, neoprene pads, miscellaneous fence fittings and hardware and all incidental materials and labor required to complete installation of the fence.

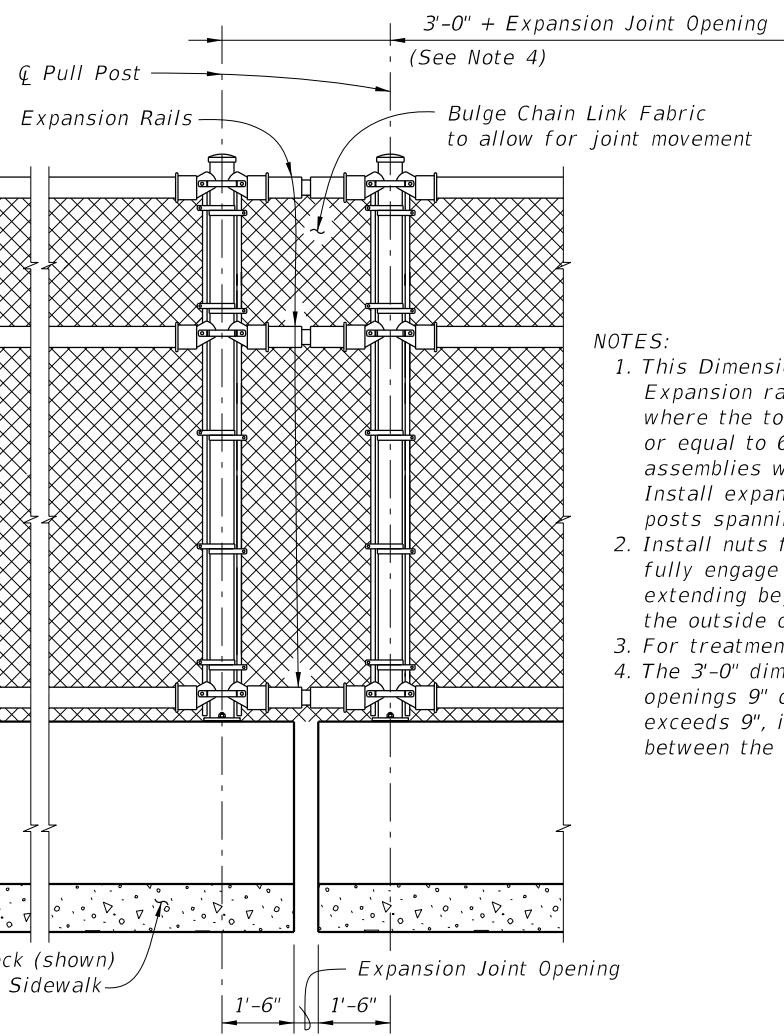
CROSS REFERENCE:
 For Table of Fence Components and Pull Post Assembly Detail see Sheet No. 2 of 3.
 For Table of Post Attachment Components and Detail "A" see Sheet No. 3 of 3.

LAST REVISION	REVISION	DESCRIPTION:	 FDOT DESIGN STANDARDS FY 2012/2013	BRIDGE FENCING (CURVED TOP)	INDEX NO. 811	SHEET NO. 1
01/01/12						

C:\projects\standards\structures\current\ready\4release\2012book_draft\00811-2of3.dgn
 rd960rh
 9:44:19 AM
 12/30/2011



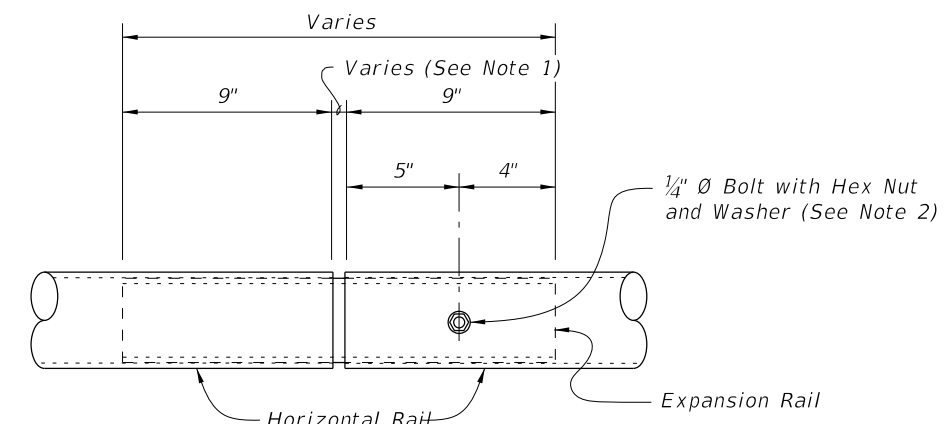
PULL POST ASSEMBLY DETAIL



EXPANSION ASSEMBLY DETAIL

(Required only at expansion joint locations where total movement exceeds 6")

- NOTES:**
1. This Dimension is the expansion joint opening plus 1/4". Expansion rails are required at expansion joint locations where the total movement exceeds 1", but is less than or equal to 6". Expansion rails are part of expansion assemblies when the total movement exceeds 6". Install expansion rails midway between the fence posts spanning the expansion joint.
 2. Install nuts for expansion rails finger-tight. Nuts will fully engage bolts with a minimum of one bolt thread extending beyond the nuts. Distort the first thread on the outside of the nut to prevent loosening.
 3. For treatment at bridge ends, see Sheet No. 1 of 3.
 4. The 3'-0" dimension shown is for expansion joint openings 9" or less. If the expansion joint opening exceeds 9", increase this dimension by the difference between the expansion joint opening and 9".



EXPANSION RAIL DETAIL

TABLE OF CHAIN LINK FENCE COMPONENTS		
COMPONENT	ASTM DESIGNATION	COMPONENT INFORMATION
Posts	F 1083	Galvanized Steel Pipe - 3 1/2" NPS, Schedule 40 (4.000" Outside Diameter, 0.226" Wall Thickness)
Horizontal Rails	F 1083	Galvanized Steel Pipe - 3" NPS, Schedule 40 (3.500" Outside Diameter, 0.216" Wall Thickness)
Expansion Rails	F 1083	Galvanized Steel Pipe - 2 1/2" NPS, Schedule 40 (2.875" Outside Diameter, 0.203" Wall Thickness)
Bolts	A 307	1/4" Ø x 4 1/4" Hex Head Bolts for Expansion Rail Connections
Nuts	A 563	Hex Nuts for Expansion Rail Connections
Washers	F 436	Flat Washers for Expansion Rail Connections
Chain Link Fabric (2" mesh with twisted top and knuckled bottom selvage)	A 392	Zinc Coated Steel - No. 9 gage (coated wire diameter), Class 2 Coating
	A 491	Aluminum Coated Steel - No. 9 gage (coated wire diameter)
	F 668	Polyvinyl Chloride (PVC) Coated Steel - No. 9 gage Zinc Coated Wire (metallic-coated core wire diameter) ~ Specify the color of the polymer coating in the General Notes
Tie Wires	F 626	Zinc Coated Steel Wire - No. 9 gage
Brace Bands	F 626	No. 12 Gage (Min. thickness) x 3/4" (Min. width) Steel Bands (Beveled or Heavy)
Tension Bars	F 626	3/16" (Min. thickness) x 3/4" (Min. width) x Variable Height Steel Bars ~ Height = Post Length along inside Post - 2" Max.
Tension Bands	F 626	No. 14 Gage (Min. thickness) x 3/4" (width) Steel Bands
Miscellaneous Fence Components	F 626	Zinc Coated Steel ~ (includes post or loop caps, horizontal and brace rail ends, combination rail ends, boulevard clamps and all other miscellaneous fittings and hardware)

LEGEND: NPS = Nominal Pipe Size

12/30/2011 9:44:20 AM rd960rh C:\projects\standards\structures\current\ready\4release\2012book_draft\00811-3of3.dgn

TABLE OF POST ATTACHMENT COMPONENTS		
COMPONENT	ASTM DESIGNATION	COMPONENT INFORMATION
Base Plates	A 36 or A 709 Grade 36	$\frac{3}{4}$ " Steel R_L
Shim Plates	A 36 or A 709 Grade 36 or B 209 Alloy 6061-T6 or B 221 Alloy 6063-T5	Plate thicknesses as required, Holes in shim plates will be $\frac{3}{4}$ " \emptyset
Adhesive Anchor Rods	F 1554 Grade 36	Fully threaded Headless Anchor Rods $\sim \frac{7}{8}$ " \emptyset x $14\frac{1}{2}$ "
C-I-P Anchor Rods	F 1554 Grade 36	Hex Head Anchor Rods $\sim \frac{7}{8}$ " \emptyset x $14\frac{1}{2}$ "
Nuts	A 563	Hex Nuts for Base Plate Connections
Washers	F 436	Flat Washers for Base Plate Connections
Neoprene Pads	-	In accordance with Specification Section 932

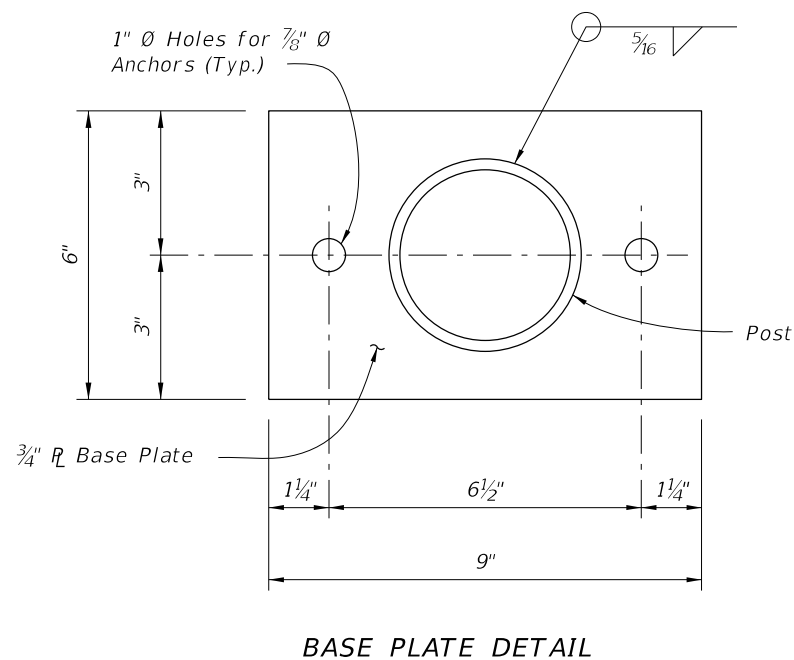
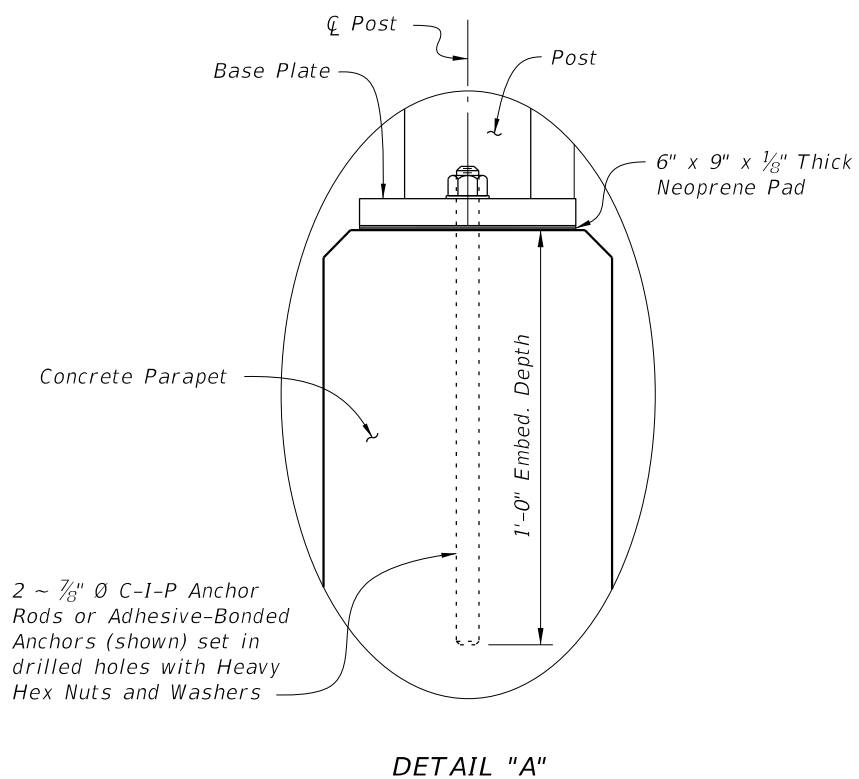
POST ATTACHMENT NOTES

ANCHOR RODS, NUTS AND WASHERS:
 After the nuts have been tightened, distort the Anchor Rod threads to prevent removal of the nuts. Coat distorted threads and exposed trimmed ends of anchors with a galvanizing compound in accordance with Specification Section 975.

COATINGS:
 Hot-dip galvanize all Nuts, Washers, Bolts, C-I-P Anchor Rods, Adhesive Anchors and Fence Framework (Posts, Internal Sleeves, Shim Plates and Base Plates) in accordance with Specification Section 962. Hot-dip galvanize Fence Framework after fabrication.

ADHESIVE-BONDED ANCHORS AND DOWELS:
 Adhesive Bonding Material Systems for Anchors and Dowels will comply with Specification Section 937 and be installed in accordance with Specification Section 416. Cutting of reinforcing steel is permitted for drilled hole installation.

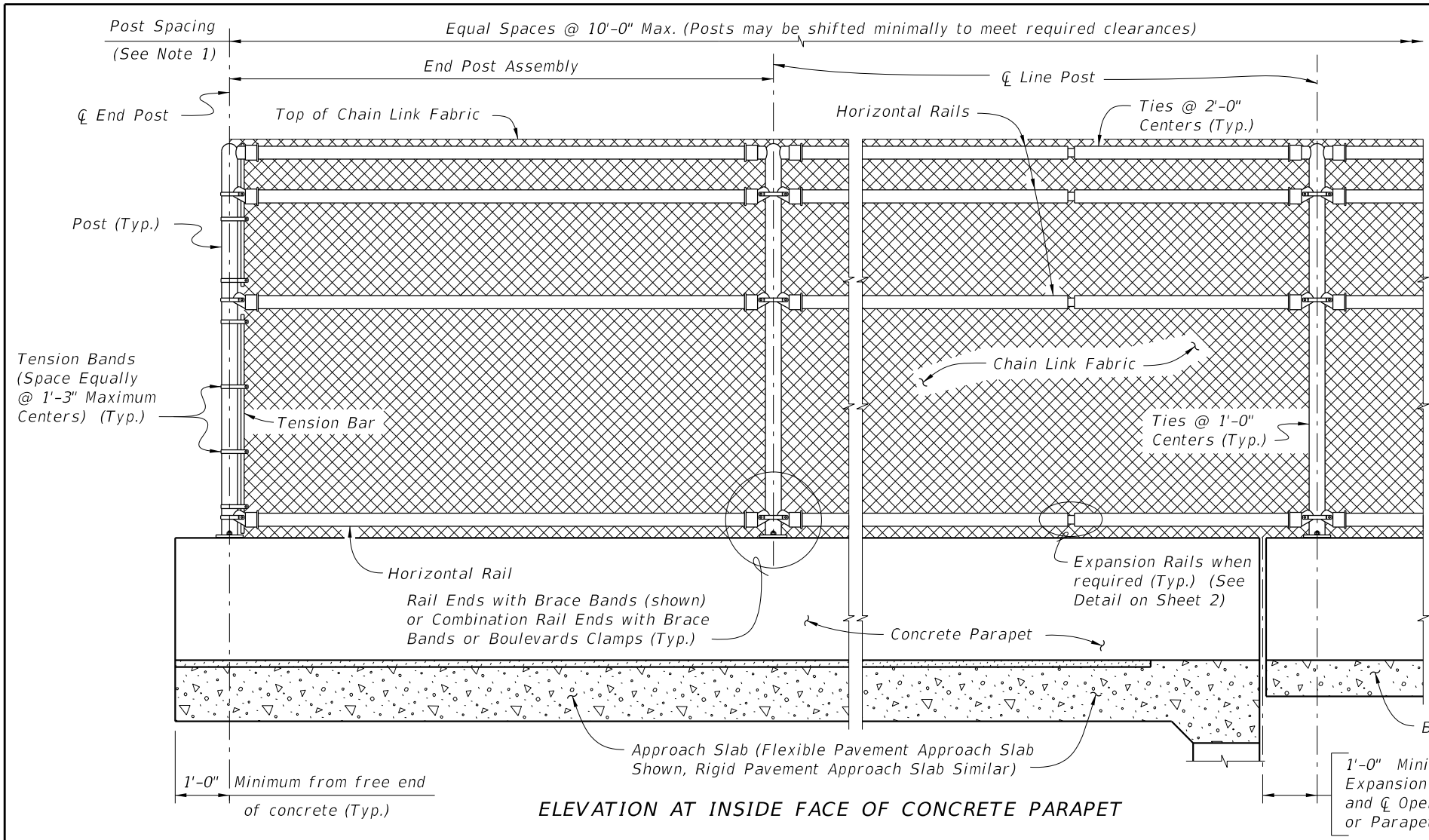
WELDING:
 All welding will be in accordance with the American Welding Society Structural Welding Code (Steel) ANSI/AWS D1.1 (current edition). Weld metal will be E60XX or E70XX. Nondestructive testing of welds is not required.



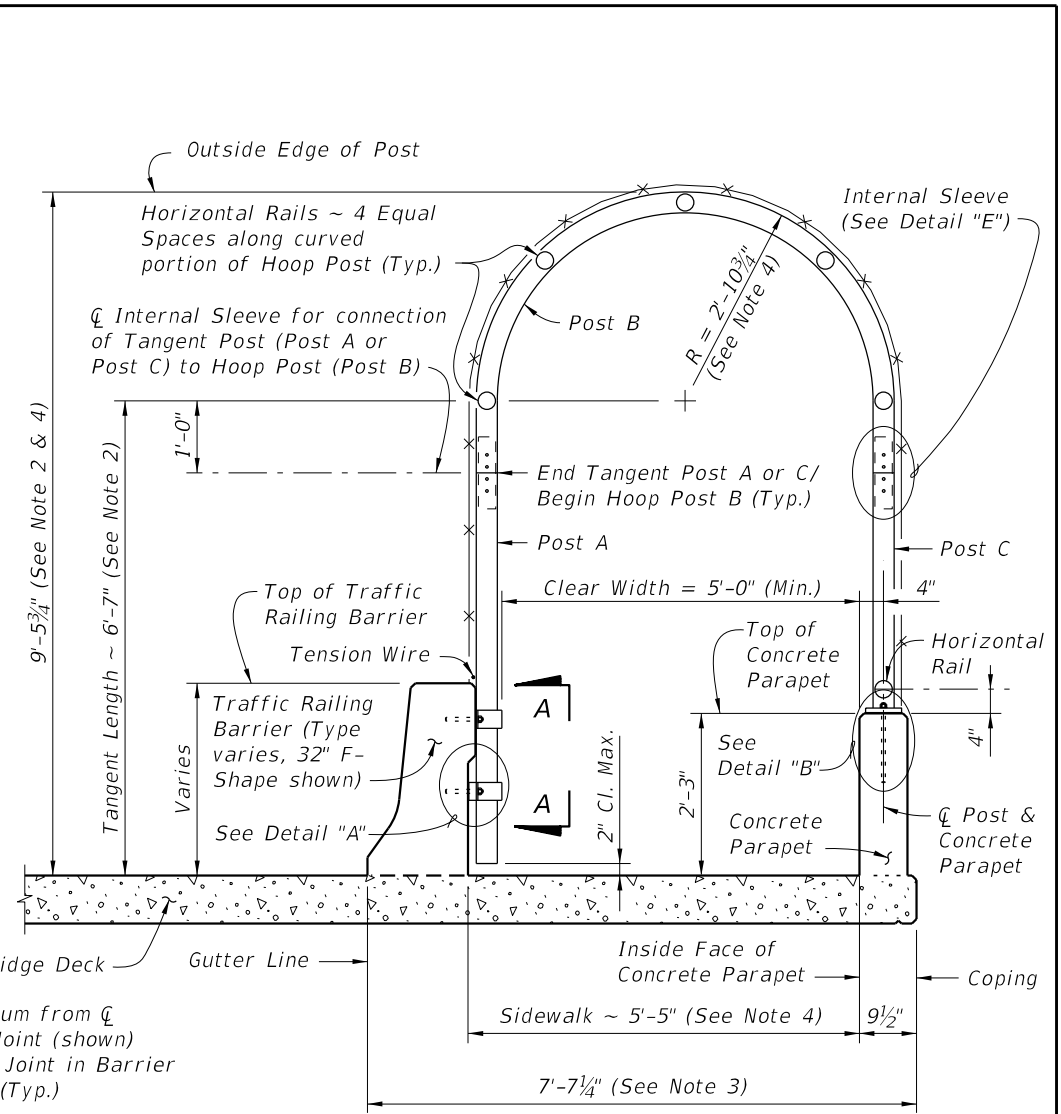
CROSS REFERENCE:
 For location of Detail "A" see Sheet No. 1 of 3.

LAST REVISION 07/01/08	DESCRIPTION:	 FDOT DESIGN STANDARDS FY 2012/2013	BRIDGE FENCING (CURVED TOP)	INDEX NO. 811	SHEET NO. 3
---------------------------	--------------	--	------------------------------------	-------------------------	-----------------------

C:\projects\standards\structures\current\ready\4release\2012book_draft\00812-1of4.dgn
 rd960rh
 9:44:21 AM
 12/30/2011



- NOTES:**
1. A Pull Post Assembly is required at maximum intervals of 500'-0". See Sheet No. 3 of 4.
 2. Dimension is measured along Inside Face of Concrete Parapet.
 3. Dimension shown is for 32" F-Shape Traffic Railing Barriers as shown in Index No. 420. Adjust as required for other Traffic Railing Barriers and sidewalk widths.
 4. For sidewalk clear widths greater than 5'-0", increase the radius and height of the curved portion of the Hoop Post at the rate of 6" for every one foot increase in sidewalk width.



- CROSS REFERENCE:**
- For Table of Fence Components and Table of Post Attachment Components see Sheet No. 2.
 - For Pull Post Assembly Detail, View A-A and Detail "A" see Sheet No. 3.
 - For Detail "B" and "E" see Sheet No. 4.

FENCING NOTES

FENCE INSTALLATION:
 Install posts plumb (within a tolerance of $\pm 1\frac{1}{2}$ "). Use shim plates as required to achieve plumb. The required quantity and thickness of shim plates will be determined in the field. Install chain link fence in accordance with ASTM F 567 as applicable.

TRAFFIC RAILING BARRIER DETAILS:
 See Superstructure Sheets for Traffic Railing Barrier details.

CONCRETE PARAPET DETAILS:
 See Index No. 820 - Pedestrian/Bicycle Railing for Concrete Parapet details. Provide fencing in lieu of aluminum bullet railing as shown on Index No. 820.

LIMITS OF FENCING:
 Limits of fencing are from begin of approach slab at Begin Bridge to end of approach slab at End Bridge, unless otherwise shown in the plans.

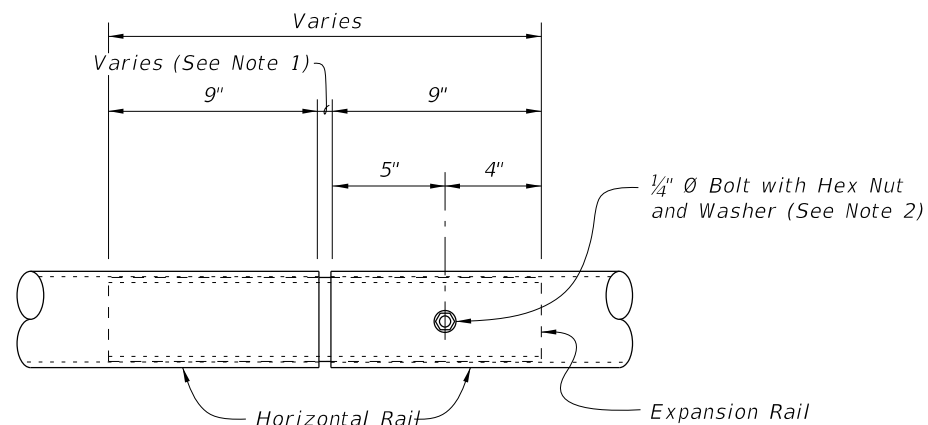
PAYMENT:
 Payment will be made under Fencing, Type R. Payment includes posts, horizontal and expansion rails, brace bands, rail ends, combination rail ends, boulevard clamps, chain link fabric, tension wire, ties, hog rings, tension bars and bands, pipe clamps, base plates, anchor rods, bolts, nuts, washers, shim plates, spacers, neoprene pads, miscellaneous fence fittings and hardware and all incidental materials and labor required to complete installation of the fence.

LAST REVISION	REVISION	DESCRIPTION:	 FDOT DESIGN STANDARDS FY 2012/2013	BRIDGE FENCING (ENCLOSED)	INDEX NO.	SHEET NO.
07/01/07					812	1

12/30/2011 9:44:22 AM rd960rh C:\projects\standards\structures\current\ready\release\2012book_draft\00812-2of4.dgn

TABLE OF CHAIN LINK FENCE COMPONENTS

COMPONENT	ASTM DESIGNATION	COMPONENT INFORMATION
Posts	F 1083	Galvanized Steel Pipe - 3" NPS, Schedule 40 (3.500" Outside Diameter, 0.216" Wall Thickness)
Horizontal Rails and Internal Sleeves	F 1083	Galvanized Steel Pipe - 2 1/2" NPS, Schedule 40 (2.875" Outside Diameter, 0.203" Wall Thickness)
Expansion Rails	F 1083	Galvanized Steel Pipe - 2" NPS, Schedule 40 (2.375" Outside Diameter, 0.154" Wall Thickness)
Chain Link Fabric (2" mesh with knuckled bottom selvages)	A 392	Zinc Coated Steel - No. 9 gage (coated wire diameter), Class 2 Coating
	A 491	Aluminum Coated Steel - No. 9 gage (coated wire diameter)
	F 668	Polyvinyl Chloride (PVC) Coated Steel - No. 9 gage Zinc Coated Wire (metallic-coated core wire diameter) ~ Specify the color of the polymer coating in the General Notes
Tension Wire	A 824 & A 817	Type II (Zinc Coated Steel Wire) - No. 7 gage, Class 4 Coating
		Type I (Aluminum Coated Steel Wire) - No. 7 gage
Tie Wires	F 626	Zinc Coated Steel Wire - No. 9 gage
Hog Rings	F 626	Zinc Coated Steel Wire - No. 12 gage
Brace Bands	F 626	No. 12 gage (Min. thickness) x 3/4" (Min. width) Steel Bands (Beveled or Heavy)
Tension Bars	F 626	3/16" (Min. thickness) x 3/4" (Min. width) x Variable Height Steel Bars ~ Height = Tangent or Hoop Length - Barrier or Parapet Height - 2" max.
Tension Bands	F 626	No. 14 gage (Min. thickness) x 3/4" (Min. width) Steel Bands
Miscellaneous Fence Components	F 626	Zinc Coated Steel ~ (includes horizontal rail ends, combination rail ends, boulevard clamps and all other miscellaneous fittings and hardware)
Bolts	A 307	3/8" Ø x 4 1/4" Hex Head Bolts for Internal Sleeve connections 1/4" Ø x 4 1/4" Hex Head Bolts for Expansion Rail connections
Nuts	A 563	Hex Nuts for Internal Sleeve and Expansion Rail connections
Washers	F 436	Flat Washers for Internal Sleeve and Expansion Rail connections



EXPANSION RAIL DETAIL

NOTES:

1. This Dimension is the expansion joint opening plus 1/4". Expansion rails are required at expansion joint locations where the total movement exceeds 1", but is less than or equal to 6". Expansion rails are part of expansion assemblies when the total movement exceeds 6". Install expansion rails midway between the fence posts spanning the expansion joint.
2. Install nuts for expansion rails finger-tight. Nuts will fully engage bolts with a minimum of one bolt thread extending beyond the nuts. Distort the first thread on the outside of the nut to prevent loosening.

TABLE OF POST ATTACHMENT COMPONENTS

COMPONENT	ASTM DESIGNATION	COMPONENT INFORMATION
Pipe Clamps	A 36 or A 709 Grade 36	1/4" Steel R
Base Plates	A 36 or A 709 Grade 36	3/4" Steel R
Shim Plates	A 36 or A 709 Grade 36 or B 209 Alloy 6061-T6 or B 221 Alloy 6063-T5	Plate thicknesses as required; Holes in shim plates will be 3/4" Ø
Spacers	-	1 1/4" R for all materials
Pipe Clamp Connection	Adhesive Anchor Rods	F 1554 Grade 36 Fully threaded Headless Anchor Rods ~ 5/8" Ø x 6" (no spacer) or 5/8" Ø x 7 1/4" (with spacer)
	C-I-P Anchor Rods	F 1554 Grade 36 Hex Head Anchor Rods ~ 5/8" Ø x 6" (no spacer) or 5/8" Ø x 7 1/4" (with spacer)
Base Plate Connection	Adhesive Anchor Rods	F 1554 Grade 36 Fully threaded Headless Anchor Rods ~ 7/8" Ø x 14 1/2"
	C-I-P Anchor Rods	F 1554 Grade 36 Hex Head Anchor Rods ~ 7/8" Ø x 14 1/2"
Bolts	A 307	3/8" Ø x 4 3/4" Hex Head Bolts for Pipe Clamp Connections to Posts
Nuts	A 563	Hex Nuts for Pipe Clamp and Base Plate Connections
Washers	F 436	Flat Washers for Pipe Clamp and Base Plate Connections
Neoprene Pads	-	In accordance with Specification Section 932

POST ATTACHMENT NOTES

ANCHOR RODS, NUTS AND WASHERS:

After the nuts have been tightened, distort the Anchor Rod threads to prevent removal of the nuts. Coat distorted threads and exposed trimmed ends of anchors with a galvanizing compound in accordance with Specification Section 975.

COATINGS:

Hot-dip galvanize all Nuts, Washers, Bolts, C-I-P Anchor Rods, Adhesive Anchors and Fence Framework (Posts, Internal Sleeves, Shim Plates, Base Plates, Pipe Clamps and Spacers) in accordance with Specification Section 962. Hot-dip galvanize Fence Framework after fabrication.

ADHESIVE-BONDED ANCHORS AND DOWELS:

Adhesive Bonding Material Systems for Anchors and Dowels will comply with Specification Section 937 and be installed in accordance with Specification Section 416. Cutting of reinforcing steel is permitted for drilled hole installation.

WELDING:

All welding will be in accordance with the American Welding Society Structural Welding Code (Steel) ANSI/AWS D1.1 (current edition). Weld metal will be E60XX or E70XX. Nondestructive testing of welds is not required.

LAST REVISION	DESCRIPTION:
07/01/08	

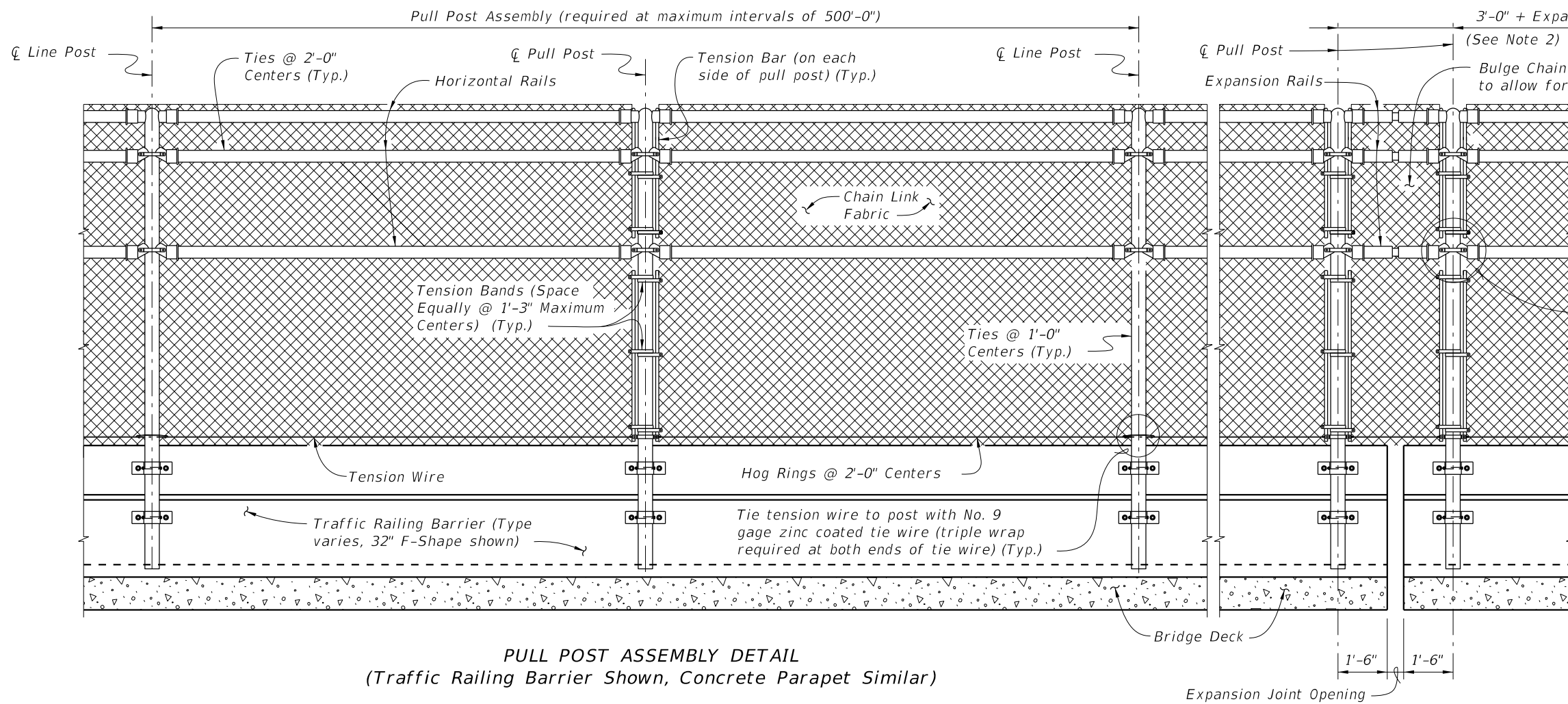


FDOT DESIGN STANDARDS
FY 2012/2013

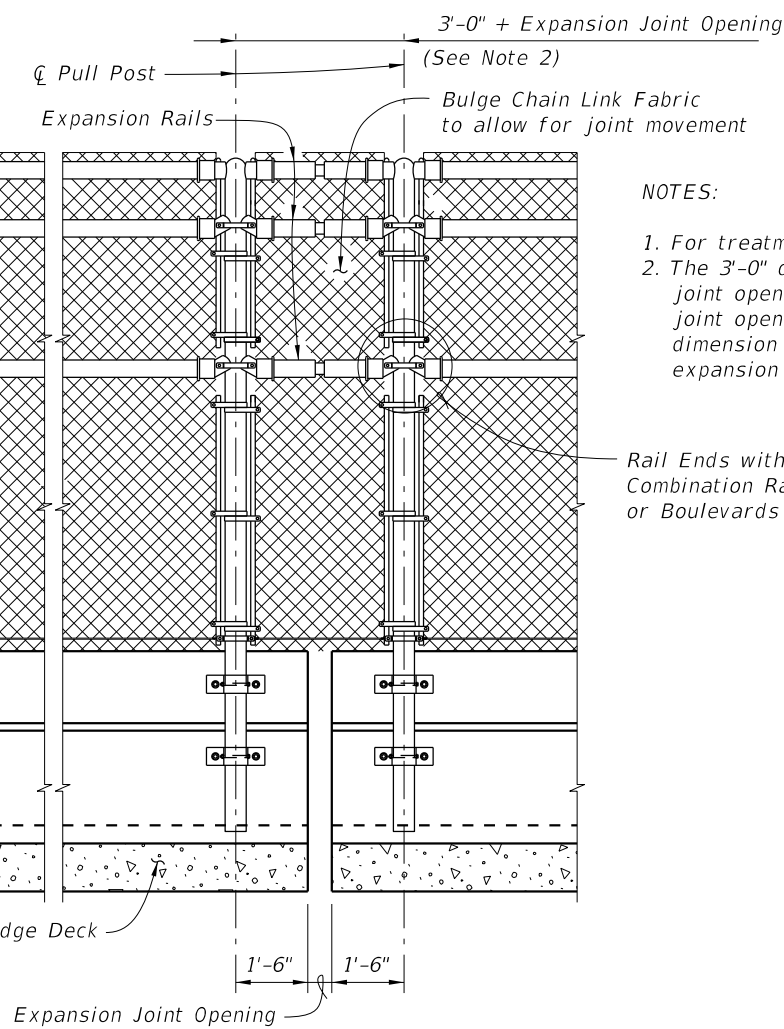
BRIDGE FENCING (ENCLOSED)

INDEX NO.	SHEET NO.
812	2

12/30/2011 9:44:23 AM r0960rh C:\projects\standards\structures\current\ready\4release\2012book_draft\00812-3of4.dgn



PULL POST ASSEMBLY DETAIL
(Traffic Railing Barrier Shown, Concrete Parapet Similar)

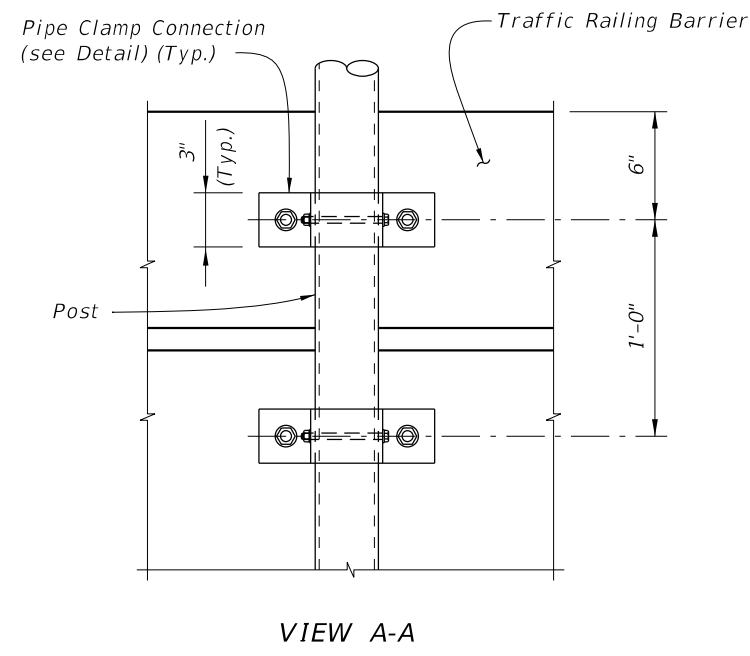


EXPANSION ASSEMBLY DETAIL
(Required only at expansion joint locations where total movement exceeds 6")

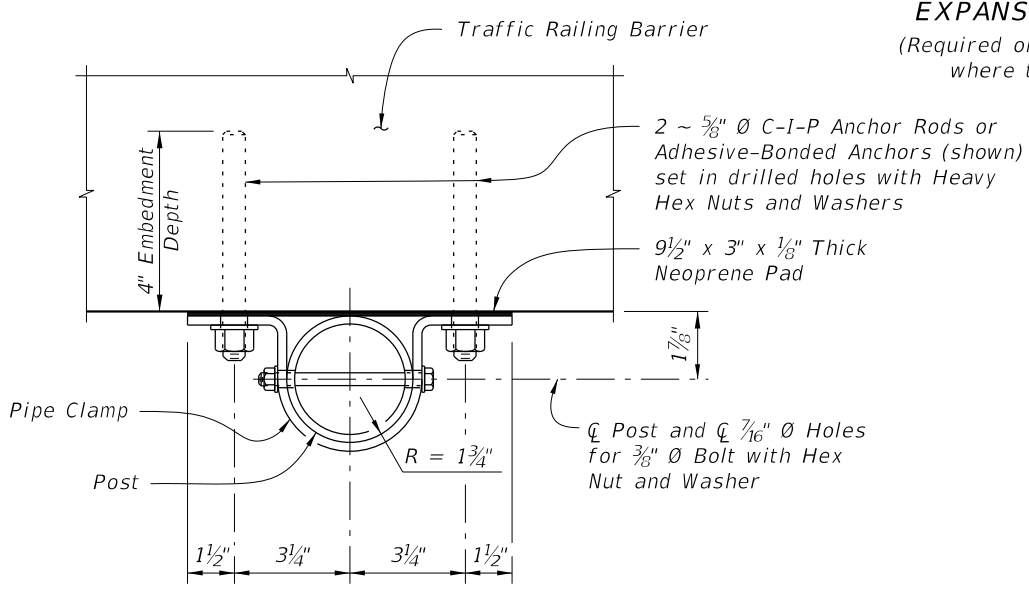
NOTES:

1. For treatment at bridge ends, see Sheet 1.
2. The 3'-0" dimension shown is for expansion joint openings 9" or less. If the expansion joint opening exceeds 9", increase this dimension by the difference between the expansion joint opening and 9".

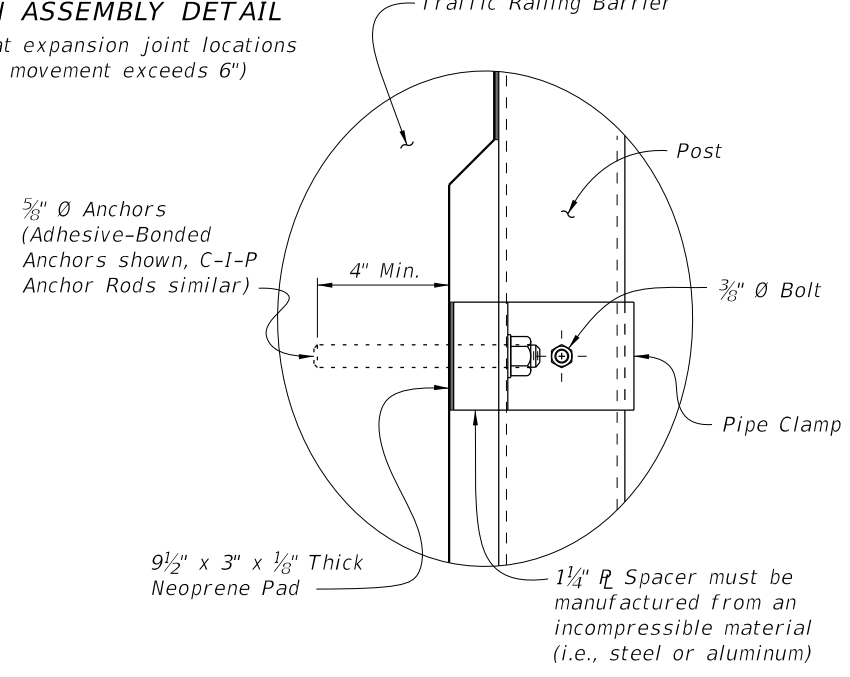
Rail Ends with Brace Bands (shown) or Combination Rail Ends with Brace Bands or Boulevards Clamps (Typ.)



VIEW A-A



PIPE CLAMP CONNECTION DETAIL
(Connection without spacer shown, Connection with spacer similar)

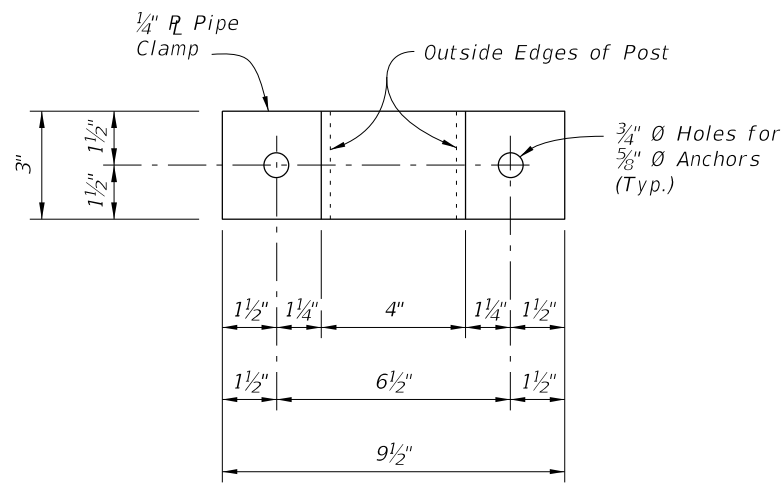


DETAIL "A"

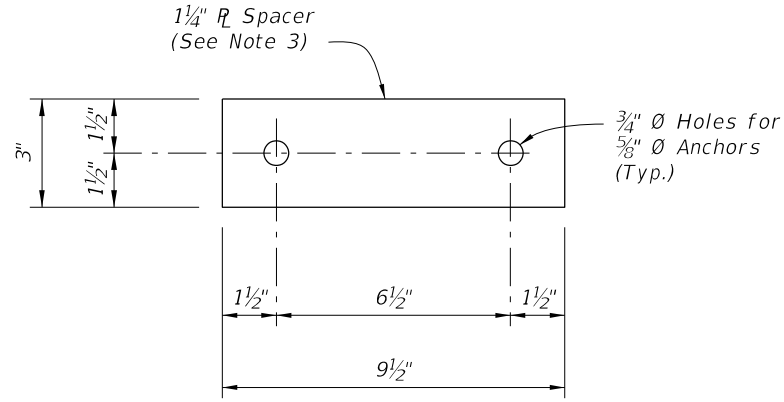
CROSS REFERENCE:
For location of View A-A and Detail "A" see Sheet No. 1 of 4.

LAST REVISION	REVISION	DESCRIPTION:	FDOT DESIGN STANDARDS FY 2012/2013	BRIDGE FENCING (ENCLOSED)	INDEX NO. 812	SHEET NO. 3
01/01/12						

C:\projects\standards\structures\current\ready\4release\2012book_draft\00812-4of4.dgn
 rd960rh
 9:44:24 AM
 12/30/2011

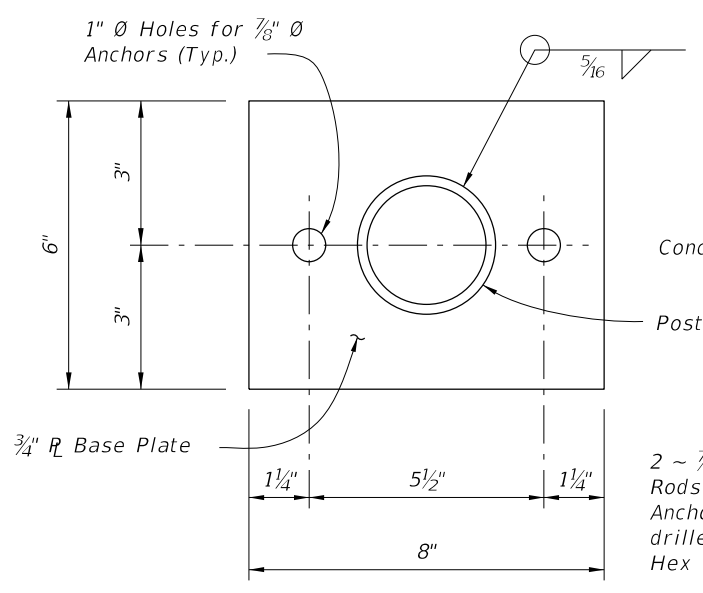


PIPE CLAMP DETAIL



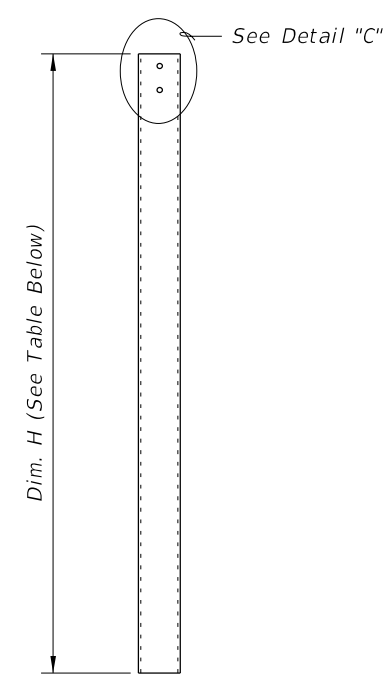
SPACER DETAIL

(Must be manufactured from an incompressible material (i.e., steel or aluminum))

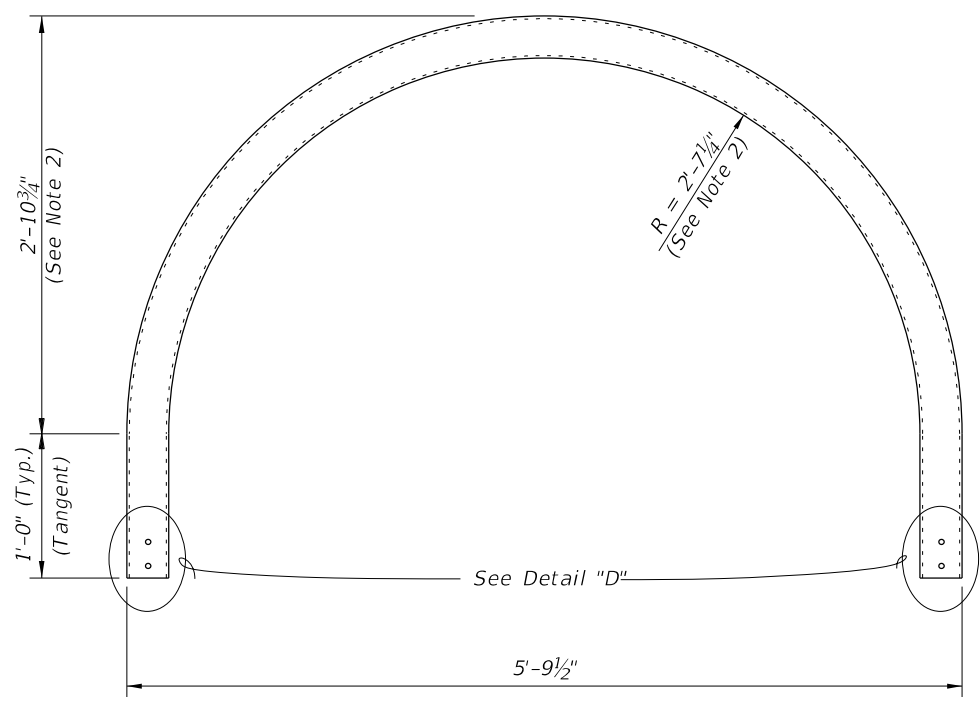


BASE PLATE DETAIL

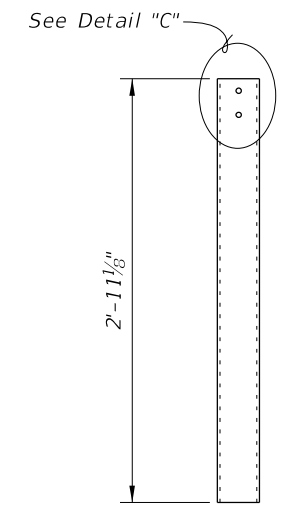
2 ~ 7/8" Ø C-I-P Anchor Rods or Adhesive-Bonded Anchors (shown) set in drilled holes with Heavy Hex Nuts and Washers



POST A DETAIL



POST B DETAIL

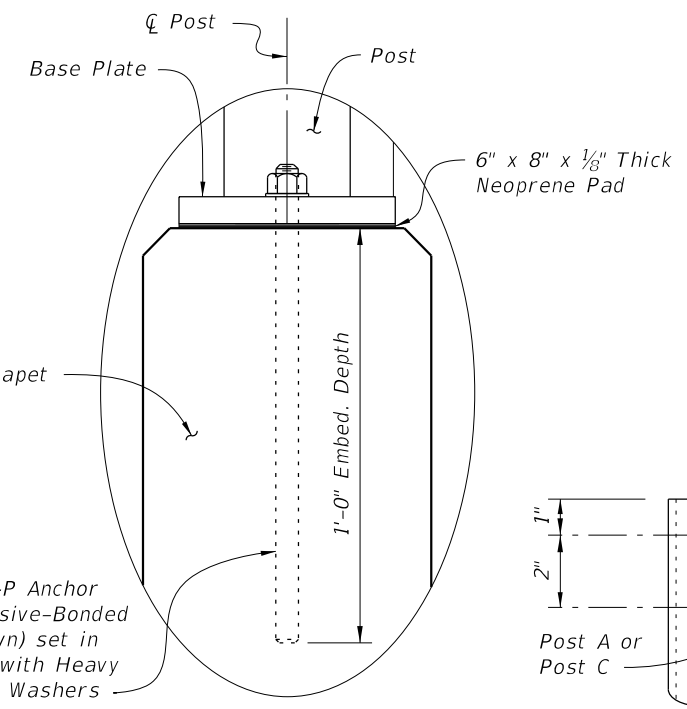


POST C DETAIL

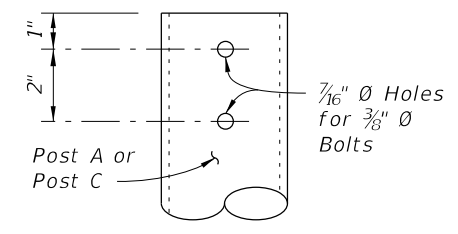
SIDEWALK CROSS-SLOPE	DIM. H (See Note 1)
2% Left	5'-6 1/4"
2% Right	5'-3 3/4"

NOTES:

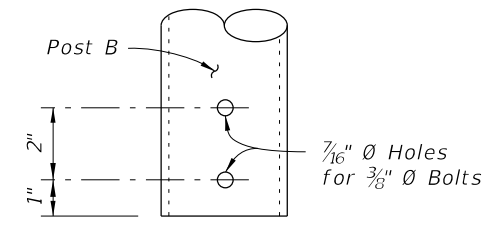
1. Values shown for Dim. H are for a 5'-0" clear sidewalk width. Adjust as required for clear sidewalk widths greater than 5'-0".
2. For clear sidewalk widths greater than 5'-0" increase radius and height by 6" for every one foot increase in sidewalk width.
3. Spacer plate thickness shown is for the 32" F-Shape Traffic Railing shown in Index No. 420. Adjust thickness as required for other Traffic Railings.



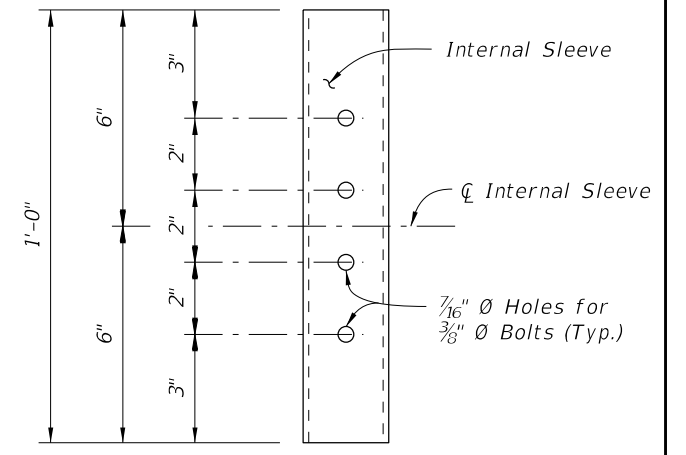
DETAIL "B"



DETAIL "C"



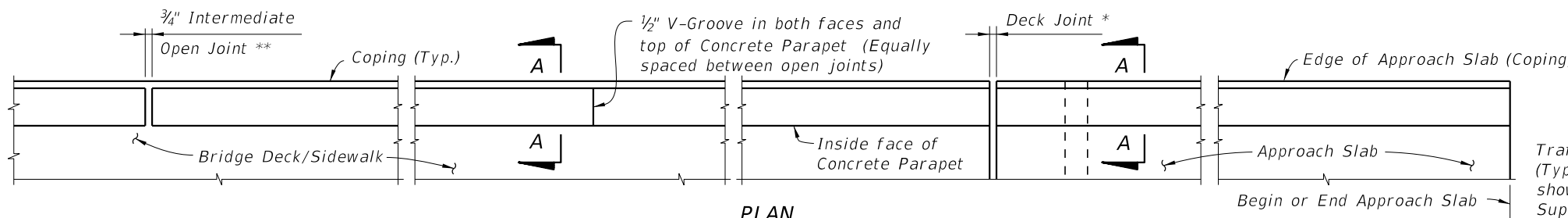
DETAIL "D"



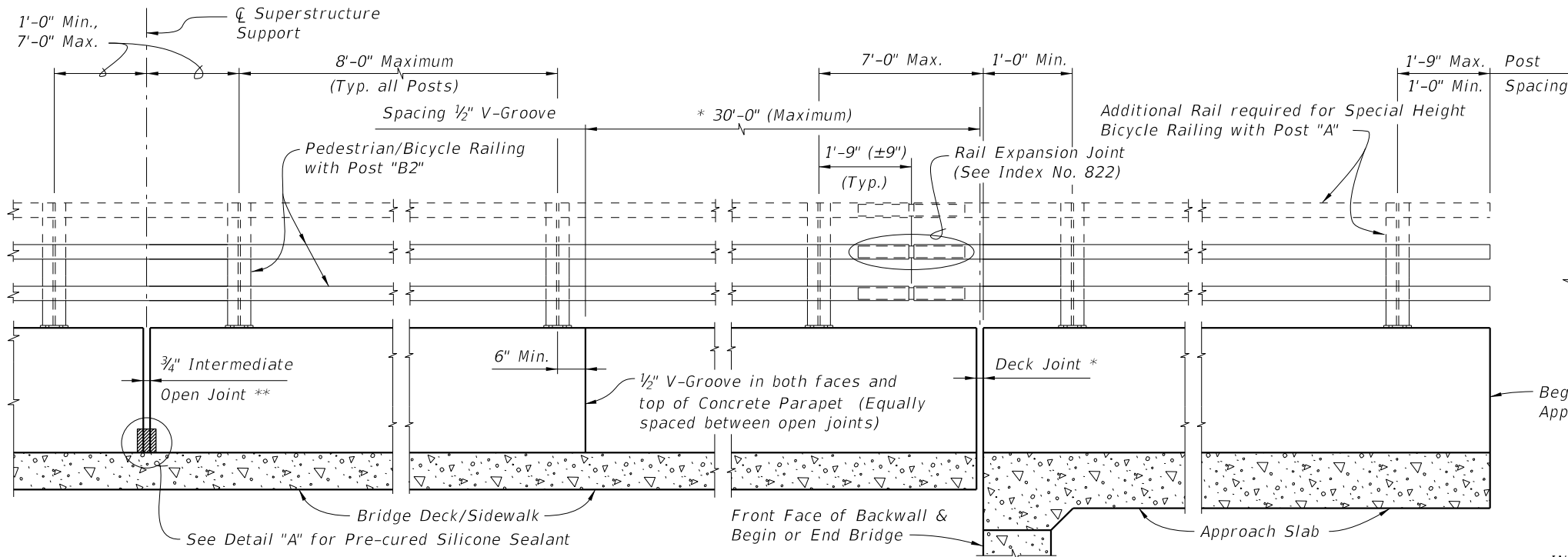
DETAIL "E" (INTERNAL SLEEVE DETAIL)

CROSS REFERENCE:
For location of Details "B" and "E" see Sheet No. 1.

LAST REVISION	REVISION	DESCRIPTION:	FDOT DESIGN STANDARDS FY 2012/2013	BRIDGE FENCING (ENCLOSED)	INDEX NO. 812	SHEET NO. 4
01/01/06						

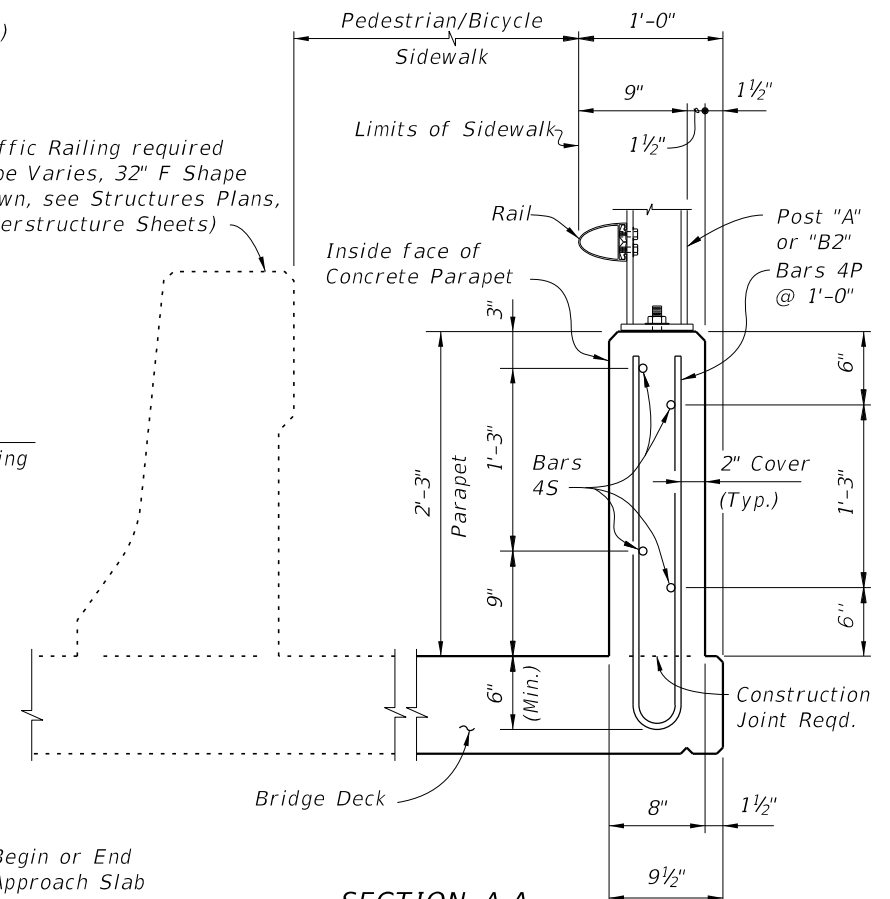


** 3/4" Intermediate Open Joints shall be provided at locations coinciding with 3/4" Joints for the Traffic Railing.



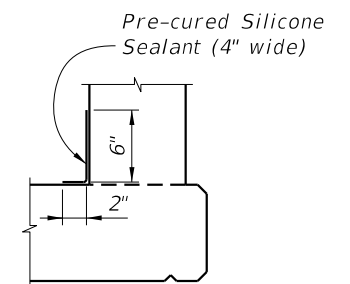
* See Structures Plans, Superstructure Sheets for actual dimensions and joint orientation. Open Parapet Joints at Deck Expansion Joint locations shall match the dimension of the Deck Joint. For treatment of Railings on skewed bridges see Index No. 420. Deck Joint at Begin Bridge or End Bridge shown. Deck Joint at Pier or Intermediate Bent similar.

Traffic Railing required (Type Varies, 32" F Shape shown, see Structures Plans, Superstructure Sheets)



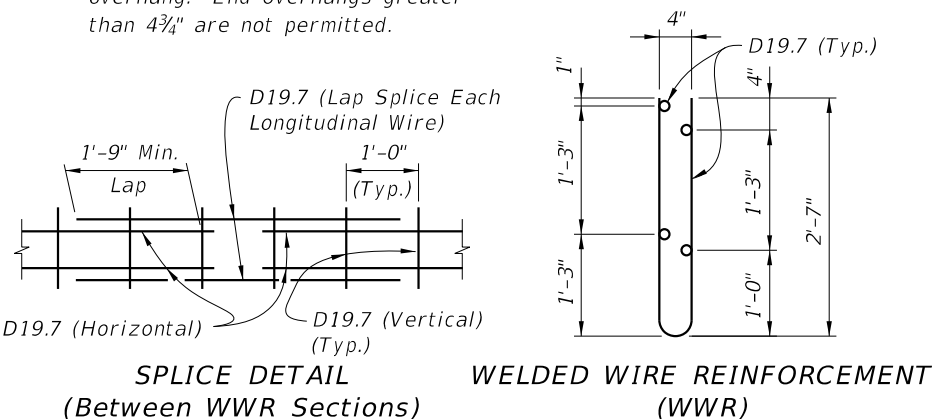
INTERMEDIATE JOINT SEAL NOTE:

1. At Intermediate Open Joints, seal the lower 6" portion of the open joint with Pre-cured Silicone Sealant in accordance with Section 932 of the Specifications.
2. Apply sealant prior to any Class V finish coating and remove all curing compound and loose material from the surface prior to application of bonding agent.
3. The cost of the Pre-cured Silicone Sealant shall be included in the Contract Unit Price for the Concrete Parapet.



ALTERNATE REINFORCING (WELDED WIRE REINF.) DETAILS

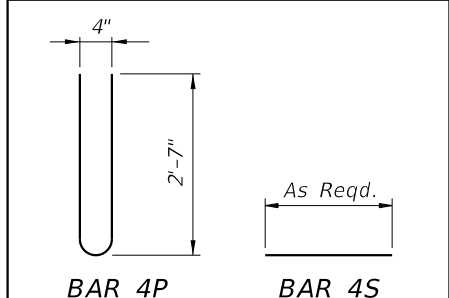
NOTE: Place wire panels to minimize the end overhang. End Overhangs greater than 4 3/4" are not permitted.



CONVENTIONAL REINFORCING STEEL BENDING DIAGRAMS

BILL OF REINFORCING STEEL

MARK	SIZE	LENGTH
P	4	5'-5"
S	4	As Req'd.



ESTIMATED CONCRETE PARAPET QUANTITIES

ITEM	UNIT	QUANTITY
Concrete	CY/LF	0.056
Reinforcing Steel	LB/FT	6.29

(The above quantities are based on a deck with a 2% cross slope)

REINFORCING STEEL NOTES:

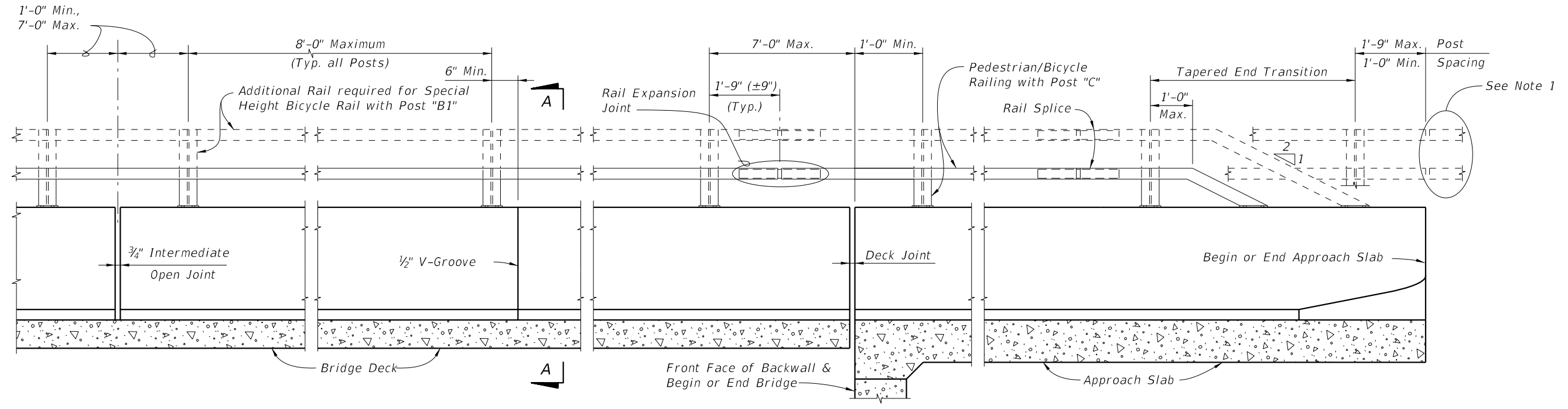
1. All bar dimensions in the bending diagrams are out to out.
2. The reinforcement for the parapet on a retaining wall shall be the same as detailed above for a 8" deck.
3. All reinforcing steel at the open joints shall have a 2" minimum cover.
4. Bars 4S may be continuous or spliced at the construction joints. Bar splices for Bars 4S shall be a minimum of 1'-9".
5. At the option of the Contractor Welded Wire Reinforcement (WWR) may be used in lieu of all Bars 4P and 4S. Welded Wire Reinforcement shall conform to ASTM A497.

PEDESTRIAN/BICYCLE RAILING NOTES:

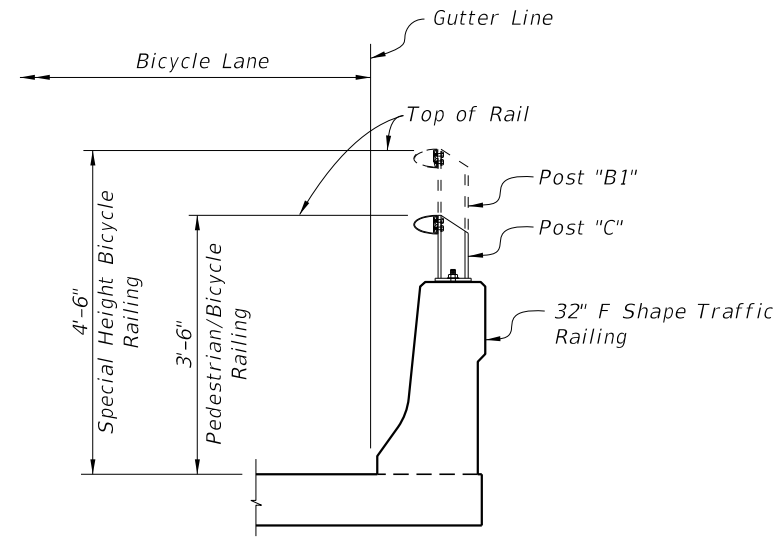
CONCRETE PARAPET: Concrete parapet shall be placed vertical and top surface shall be level transversely.
RAIL AND POST DETAILS: For Rail, Post, Rail Expansion Joint fabrication and installation details and notes see Index No. 822.
BRIDGE FENCING: For Bridge Fencing see Index Nos. 810, 811 or 812 in lieu of Posts and Rails on Index No. 822.
PAYMENT: Concrete Parapet shall be paid for under the contract unit price for 27" Concrete Parapet (Pedestrian/Bicycle), LF, and Rails shall be paid for under Aluminum Bullet Railings, LF.

C:\projects\standards\structures\current\ready\4release_2012\book_draft\00820-1of1.dgn
rd960/h
9:44:25 AM
12/30/2011

C:\projects\standards\structures\current\ready\4\release\2012book_draft\00821-1of1.dgn
 rd960rh
 9:44:26 AM
 12/30/2011



ELEVATION OF INSIDE FACE OF TRAFFIC RAILING WITH PEDESTRIAN/BICYCLE BULLET RAILING



SECTION A-A
TYPICAL SECTION THRU BRIDGE DECK
(APPROACH SLAB SIMILAR)

NOTES:

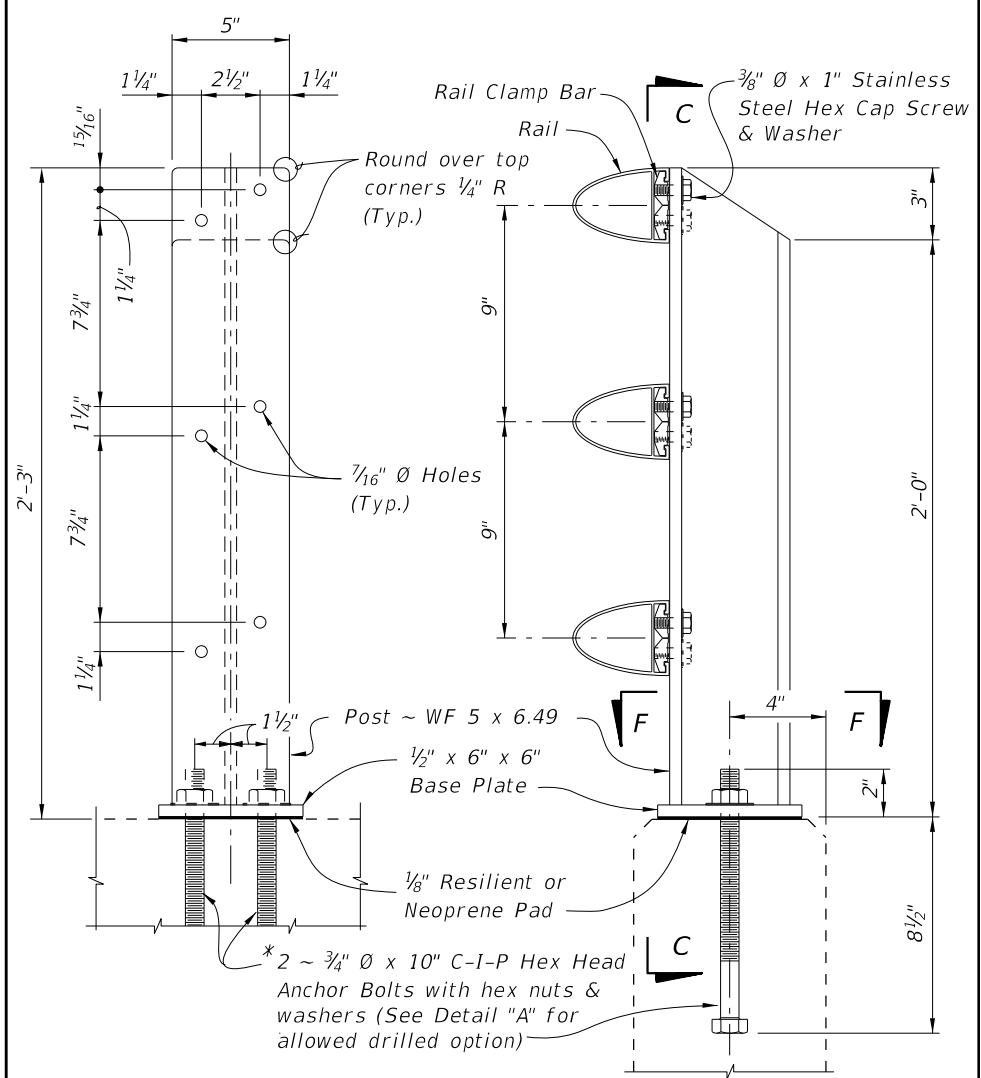
1. Where Bullet Railing continues on retaining wall mounted Traffic Railings or other Traffic Railings, the Tapered End Transition shall be located at the terminus of the Bullet Railing.

CROSS REFERENCES:

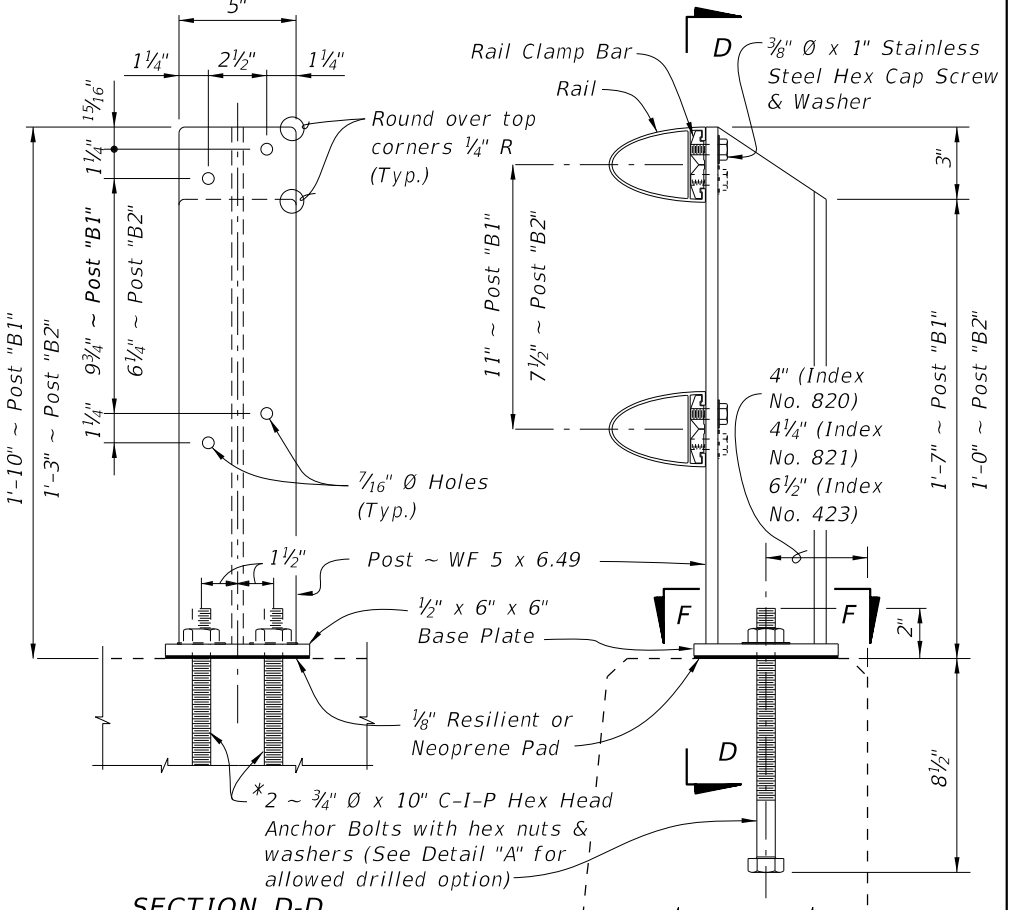
- 1. For Post, Rail and Rail Expansion Joint fabrication and installation Details and Notes see Index No. 822.
- 2. For Traffic Railing Details, Reinforcement and Notes see Index No. 420.

LAST REVISION	REVISION	DESCRIPTION:		FDOT DESIGN STANDARDS FY 2012/2013	BRIDGE ALUMINUM PEDESTRIAN/BICYCLE BULLET RAILING FOR TRAFFIC RAILING (32" F SHAPE)	INDEX NO.	SHEET NO.
01/01/12						821	1

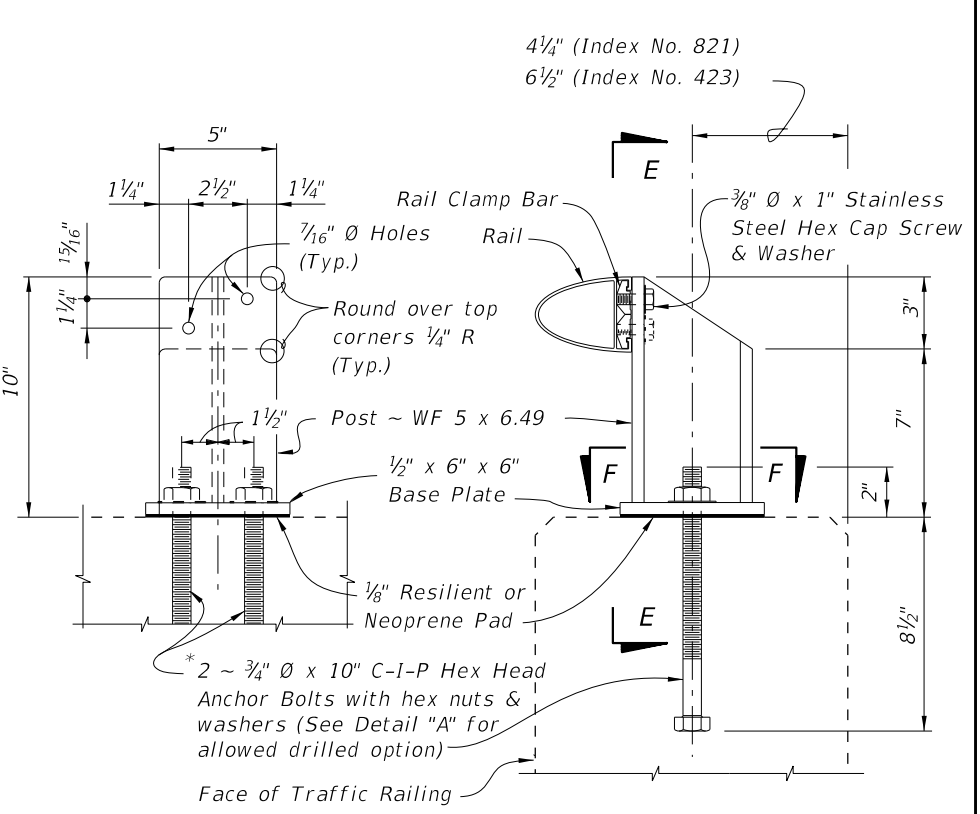
12/30/2011 9:44:27 AM rd960rh C:\projects\standards\structures\current\read\4release\2012book_draft\0822-1of3.dgn



SECTION C-C (RAILS NOT SHOWN)
ELEVATION OF POST "A"
POST "A" DETAILS FOR SPECIAL HEIGHT BICYCLE RAILING ON CONCRETE PARAPET (INDEX NO. 820)

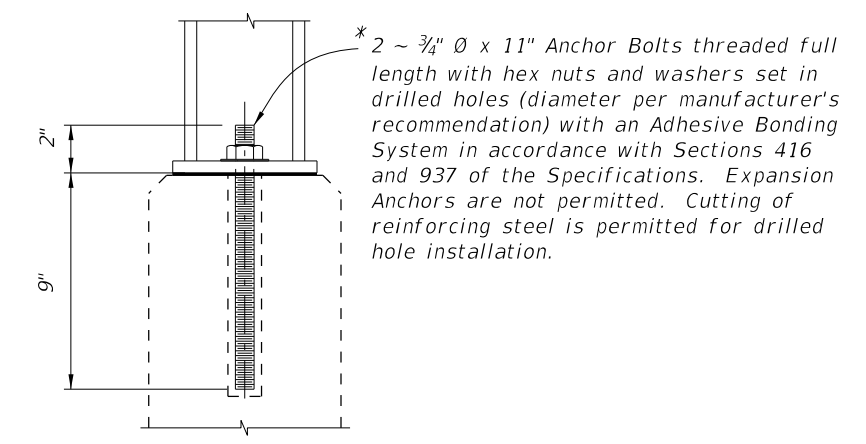


SECTION D-D (RAILS NOT SHOWN)
ELEVATION OF POST "B"
POST "B1" DETAILS FOR SPECIAL HEIGHT BICYCLE RAILING ON TRAFFIC RAILINGS (INDEX NO. 423 AND 821) AND POST "B2" DETAILS FOR PEDESTRIAN/BICYCLE RAILING ON CONCRETE PARAPETS (INDEX NO. 820)

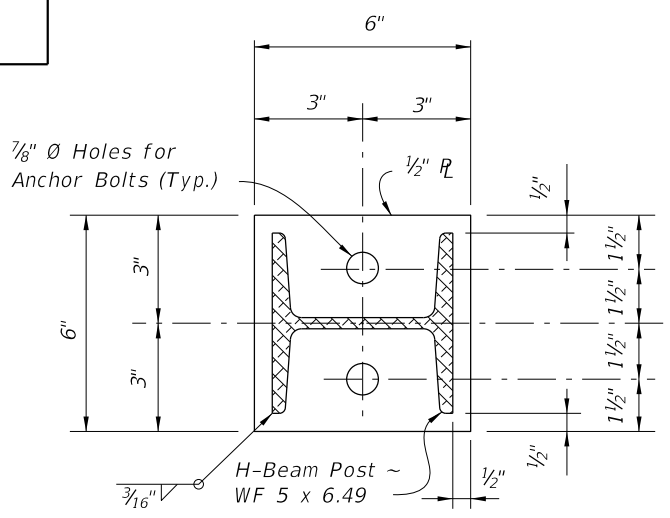


SECTION E-E (RAIL NOT SHOWN)
ELEVATION OF POST "C"
POST "C" DETAILS FOR PEDESTRIAN/BICYCLE RAILING ON TRAFFIC RAILINGS (INDEX NO. 423 AND 821)

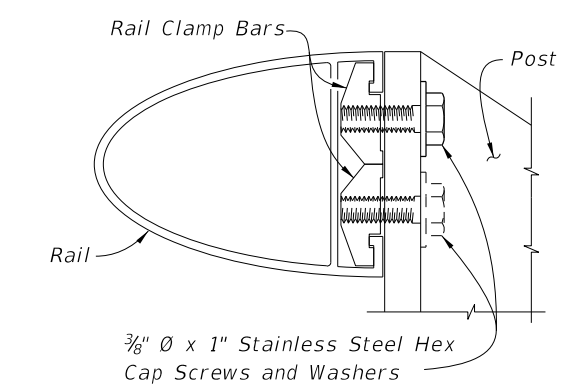
NOTE: After nuts have been tightened, the bolt threads shall be deformed to prevent removal of nuts. Tack welding of nuts to anchor bolts, to prevent theft, is permitted. Coat deformed or tack welded threads with a galvanizing compound in accordance with Section 562 of the Specifications.



ALTERNATE ANCHOR BOLT DETAIL "A"
 (Concrete Parapet Shown, Traffic Railings Similar)



SECTION F-F BASE PLATE DETAIL



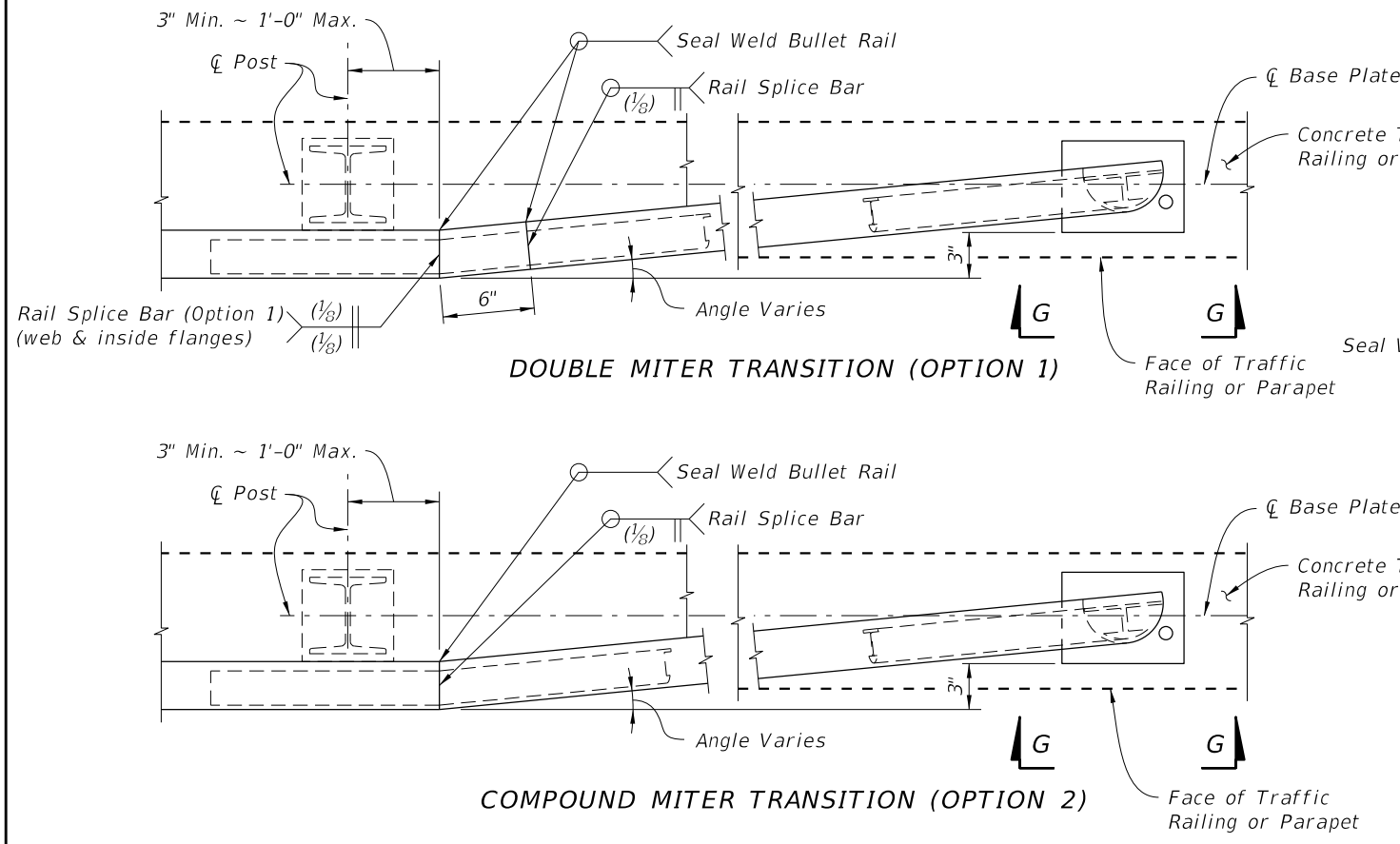
RAIL TO POST CONNECTION DETAIL

CROSS REFERENCES:

- For Post "A" and Post "B2" spacing see Index No. 820.
- For Post "B1" & Post "C" spacing see Index Nos. 423 or 821.
- For Rail Details see Index Sheet 2.
- For Railing Notes and Tapered End Transition Details see Sheet 3.

LAST REVISION	DESCRIPTION:		FDOT DESIGN STANDARDS FY 2012/2013	BRIDGE ALUMINUM PEDESTRIAN/BICYCLE BULLET RAILING DETAILS	INDEX NO. 822	SHEET NO. 1
01/01/12						

12/30/2011 9:44:29 AM rd960rh C:\projects\standards\structures\current\ready\4release\2012book_draft\0822-3of3.dgn



PARTIAL PLAN OF TAPERED END TRANSITIONS
(Single Rail Shown, Double or Triple Rail Similar)

RAILING NOTES:

PAYMENT: Payment for the railing includes Rails, Posts, Rail Splice Assemblies, Rail Clamp Bars, Rail End Caps, Anchor Bolts, Nuts, Resilient Pads, Screws and Washers and all incidental materials and labor required to complete the installation.

POST ASSEMBLY: Fabricated wrought aluminum; Post - ASTM B221, alloy 6061-T6, or alloy 6351-T5; Base Plate - ASTM B209, alloy 6061-T6.

WELDING: Welding of aluminum components shall be in accordance with ANSI and AWS D1.2 "Structures Welding Code - Aluminum".

RAIL AND RAIL SPLICE ASSEMBLIES: Aluminum; ASTM B221, alloy 6061-T6, or alloy 6351-T5. Stop Pins shall be press-fit Aluminum or Stainless Steel pins or tubes, unless otherwise approved by the Engineer.

RAIL CLAMP BAR: Aluminum; ASTM B221, alloy 6061-T6, or alloy 6351-T5.

STAINLESS STEEL FASTENERS: 3/8" Ø Hex Cap Screws and Washers shall be ASTM F-593, alloy group 2 (316).

ANCHOR BOLTS: Anchor bolts shall be in accordance with ASTM A36 or ASTM F1554, Grade 36. Anchor Bolts, Nuts, and Washers shall be hot dip galvanized in accordance with Specification Section 962.

RAIL END CAP: ASTM B26 sand cast aluminum alloy 356.0-F.

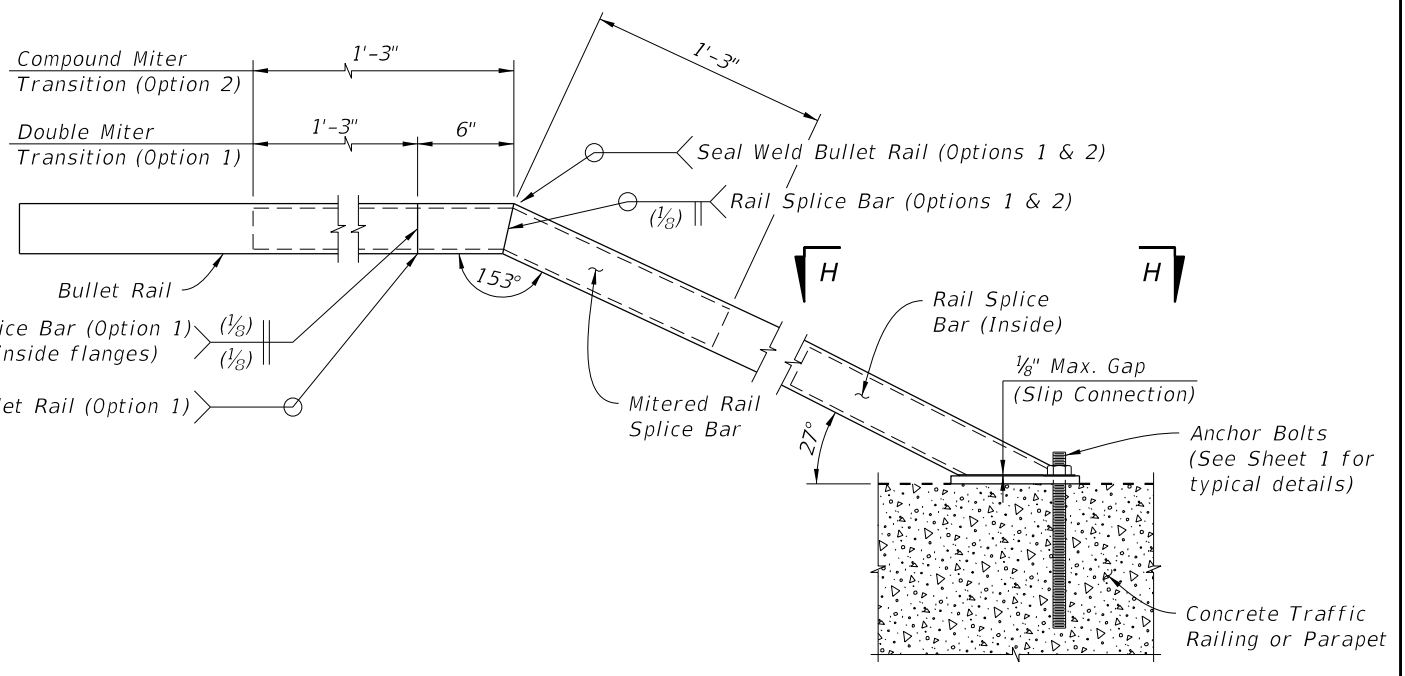
RAIL INSTALLATION: Set Rail Posts normal to Profile Grade longitudinally and vertical transversely. Post spacings that land on barrier or parapet obstacles such as armor expansion plates etc. shall be adjusted to clear obstacles by 9" without exceeding maximum post spacing. Post shall be uniformly spaced with reasonable consistency. Set Posts on 1/8" thick resilient or neoprene pads in accordance with Specification Section 932. The pad dimension shall be the same as the post base plate. Provide rail expansion joint in panels between posts on either side of Bridge Expansion Joints. Rail expansion joints shall be similar to rail splice with provision for movement equal to 1.5 times the bridge joint opening or 1" greater than the expected joint movement. Take care to ensure rails are set with the proper openings. Remove any burrs or sharp edges on rails and posts to prevent injury.

RAIL SPLICES: Rails shall be continuous over a minimum of 3 posts, except that lengths less than 12' need only be continuous over 2 posts. Space splices at 40'-0" maximum centers. Splice all rails in any railing section about the same center line.

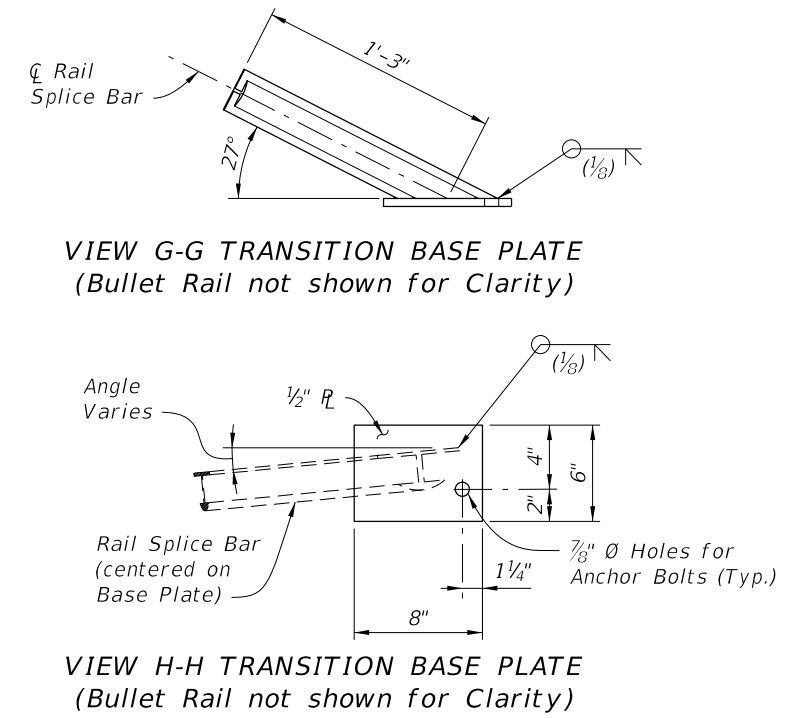
RESILIENT AND NEOPRENE PADS: Resilient and Neoprene Pads shall be in accordance with the Specifications except that testing of the finished pads is not required. Neoprene pads shall be durometer hardness 60 or 70.

SHOP DRAWINGS: Submit typical details for straight alignments and complete details for end terminations or curved alignments with radii < 40', including post and expansion joint locations of the proposed railing for the Engineer's approval prior to fabrication.

CROSS REFERENCE:
For Post Details see Sheet 1.
For Rail Details see Sheet 2.

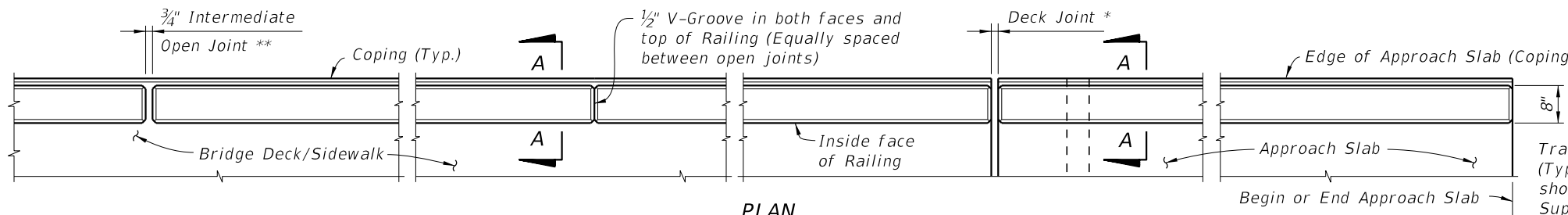


ELEVATION OF TAPERED END TRANSITION
(Single Rail Shown, Double or Triple Rail Similar)



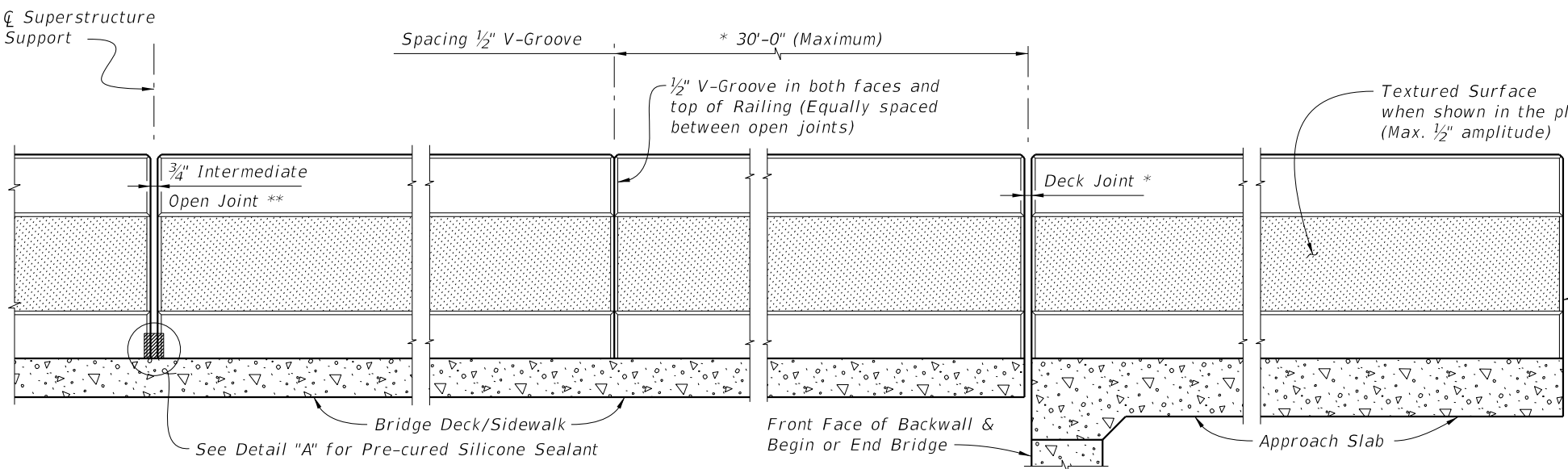
LAST REVISION	01/01/12	DESCRIPTION:		FDOT DESIGN STANDARDS FY 2012/2013	BRIDGE ALUMINUM PEDESTRIAN/BICYCLE BULLET RAILING DETAILS	INDEX NO.	822	SHEET NO.	3
---------------	----------	--------------	---	--	---	-----------	-----	-----------	---

C:\projects\standards\structures\current\ready\release\2012book_draft\00825-1of1.dgn 9:44:30 AM rd960rh 12/30/2011

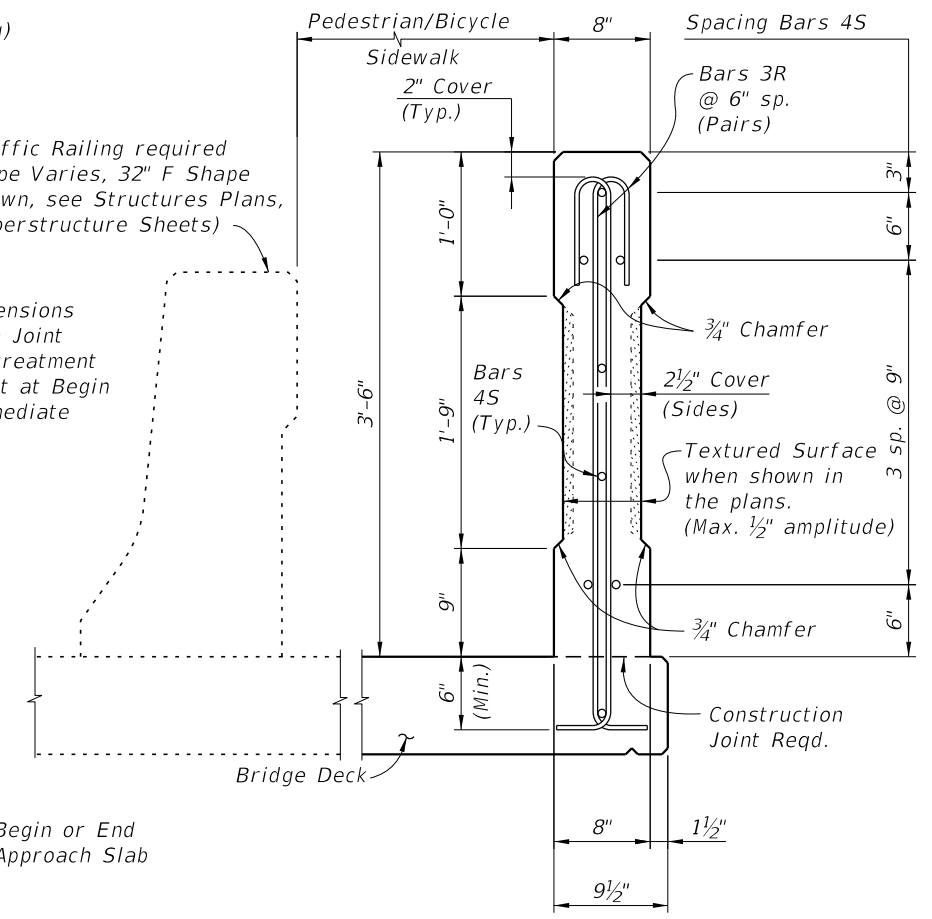


PLAN
(Reinforcing Steel not shown for clarity)

* See Structures Plans, Superstructure Sheets for actual dimensions and joint orientation. Open Railing Joints at Deck Expansion Joint locations shall match the dimension of the Deck Joint. For treatment of Railings on skewed bridges see Index No. 420. Deck Joint at Begin Bridge or End Bridge shown. Deck Joint at \bar{C} Pier or Intermediate Bent similar.



ELEVATION OF INSIDE FACE OF RAILING
(Reinforcing Steel not shown for clarity)



SECTION A-A
(Typical C-I-P Section Thru Bridge Deck Shown, Section Thru Approach Slab Similar)

** $\frac{3}{4}$ " Intermediate Open Joints shall be provided at locations coinciding with $\frac{3}{4}$ " Joints for the Traffic Railing.

RAILING NOTES:

1. Railing shall be placed vertical and top surface shall be level transversely.

INTERMEDIATE JOINT SEAL NOTES:

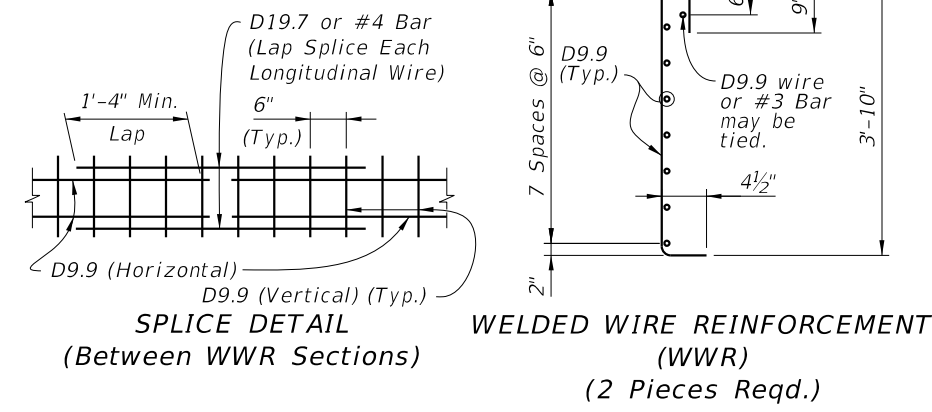
1. At Intermediate Open Joints, seal the lower 6" portion of the open joint with Pre-cured Silicone Sealant in accordance with Specification Section 932.
2. Apply sealant prior to any Class 5 Finish Coating and remove all curing compound and loose material from the surface prior to application of bonding agent.
3. The cost of the Pre-cured Silicone Sealant shall be included in the Contract Unit Price for the Railing.

REINFORCING STEEL NOTES:

1. All bar dimensions in the bending diagrams are out to out.
2. The reinforcement for the railing on a retaining wall shall be the same as detailed above for an 8" deck.
3. All reinforcing steel at the open joints shall have a 2" minimum cover.
4. Bar splices for Bars 4S shall be a minimum of 1'-4".
5. At the option of the Contractor Welded Wire Reinforcement (WWR) may be used in lieu of all Bars 3R and 4S. Welded Wire Reinforcement shall conform to Specification Section 931.

ALTERNATE REINFORCING (WELDED WIRE REINF.) DETAILS

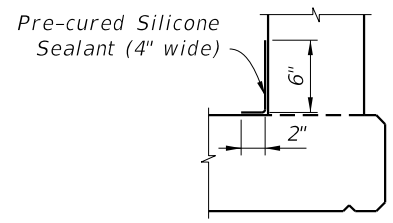
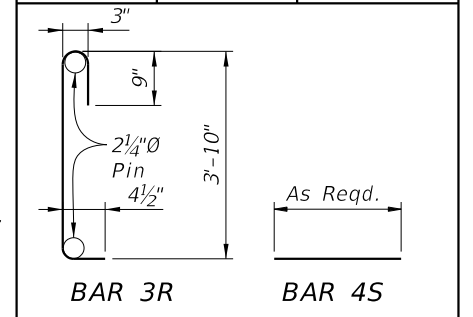
NOTE: Place wire panels to ensure vertical wire is within 4" of open joints.



CONVENTIONAL REINFORCING STEEL BENDING DIAGRAMS

BILL OF REINFORCING STEEL

MARK	SIZE	LENGTH
R	3	5'-2"
S	4	As Req'd.



DETAIL "A" - SECTION AT INTERMEDIATE OPEN JOINT

ESTIMATED CONCRETE RAILING QUANTITIES

ITEM	UNIT	QUANTITY
Concrete	CY/LF	0.079
Reinforcing Steel	LB/LF	13.12

(The above quantities are based on a deck with a 2% cross slope)

LAST REVISION	DESCRIPTION:
01/01/12	REVISION

LAST REVISION	DESCRIPTION:
01/01/12	REVISION

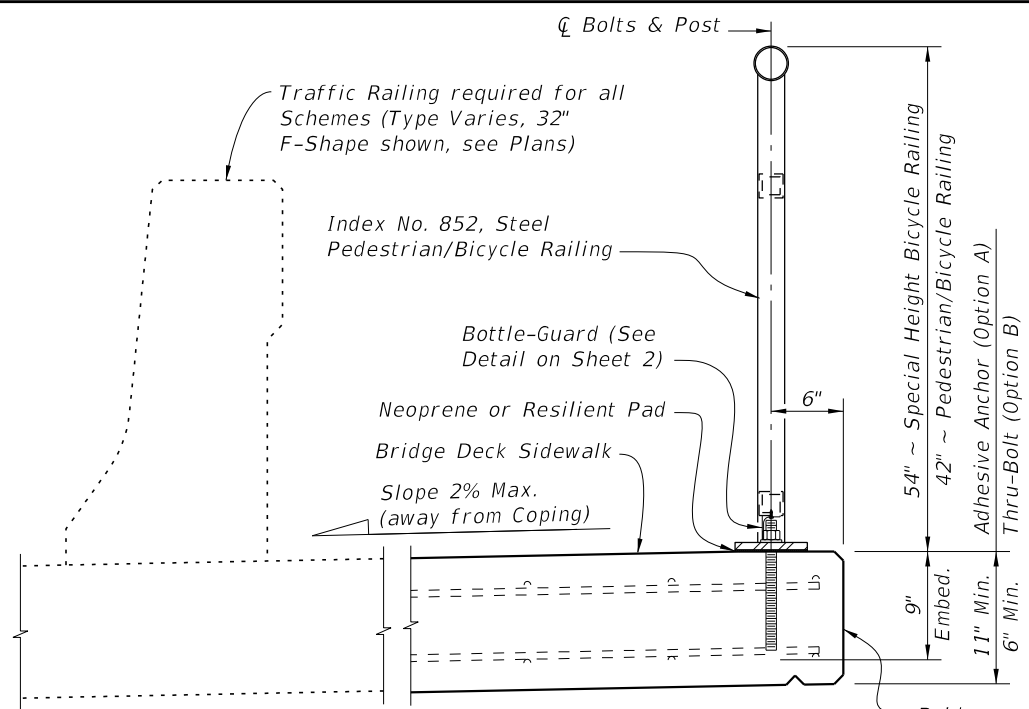


FDOT DESIGN STANDARDS
FY 2012/2013

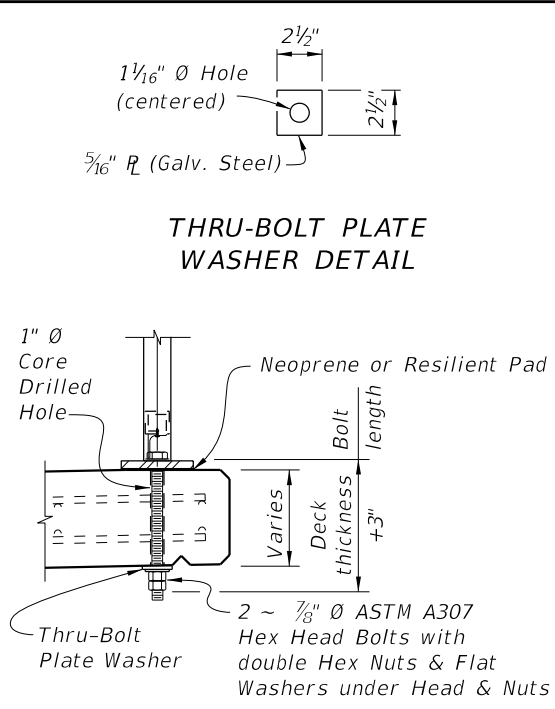
42" CONCRETE PEDESTRIAN/BICYCLE RAILING

INDEX NO.	SHEET NO.
825	1

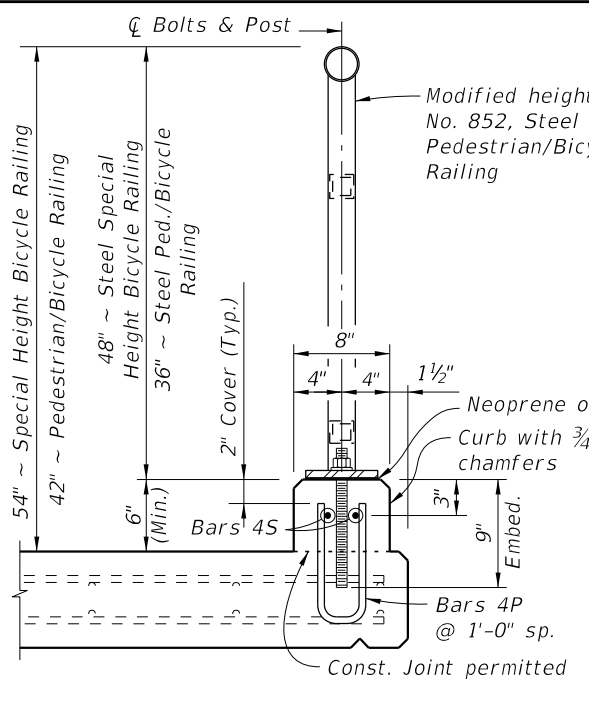
12/30/2011 9:44:31 AM rd960rh C:\projects\standards\structures\current\ready\4release\2012book_draft\00851-1of3.dgn



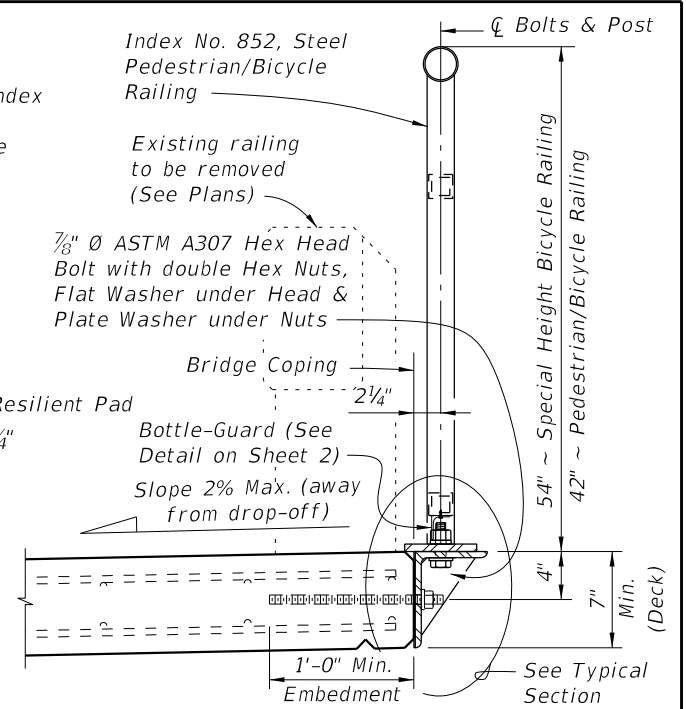
SCHEME 1 - TYPICAL SECTION THROUGH DECK MOUNTED RAILING (Adhesive Anchor Option shown - SCHEME 1A)



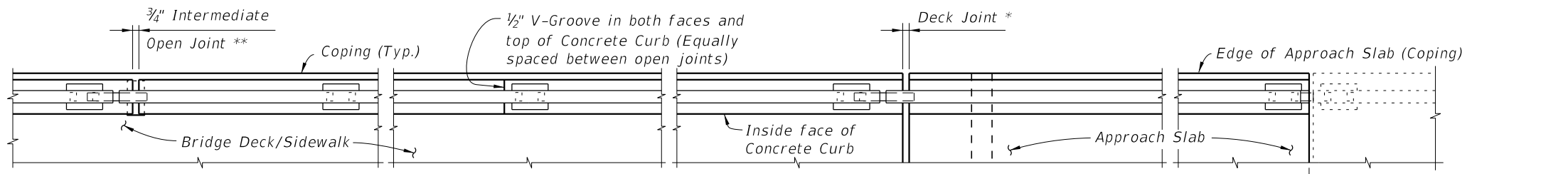
SCHEME 1B - DETAILS (Thru-Bolt Option)



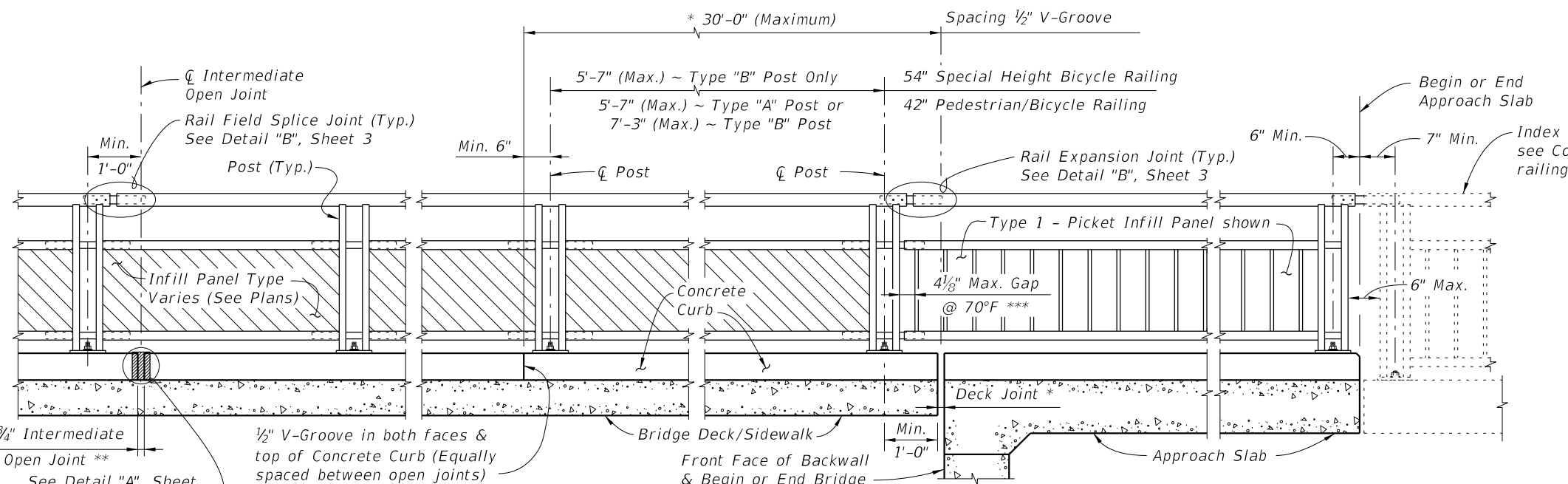
SCHEME 2 - TYPICAL SECTION THROUGH CURB MOUNTED RAILING



SCHEME 3 - TYPICAL SECTION THROUGH SIDE MOUNTED RAILING (RETROFIT)



PLAN (Scheme 2 shown, other Schemes similar, Reinforcing Steel not shown for clarity)

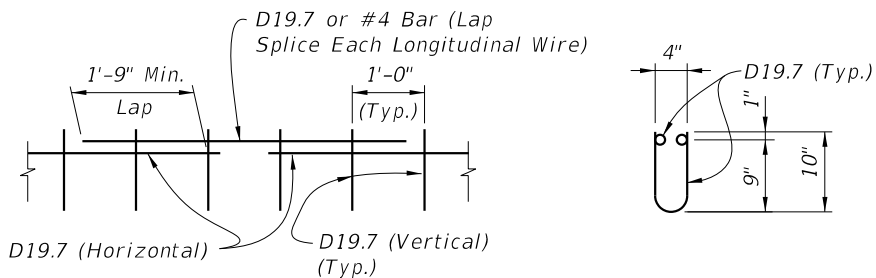


ELEVATION OF INSIDE FACE OF RAILING (Scheme 2 shown with Post "A", other Schemes similar, Reinforcing Steel not shown for clarity)

LAST REVISION		DESCRIPTION:		FDOT DESIGN STANDARDS FY 2012/2013	BRIDGE PEDESTRIAN/BICYCLE RAILING (STEEL)	INDEX NO.	SHEET NO.
01/01/12	REVISION					851	1

ALTERNATE REINFORCING (WELDED WIRE REINF.) DETAILS

NOTE: Place wire panels to minimize the end overhang. End Overhangs greater than 4 3/4" are not permitted.



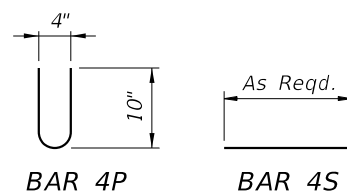
SPLICE DETAIL (Between WWR Sections)

WELDED WIRE REINFORCEMENT (WWR)

CONVENTIONAL REINFORCING STEEL BENDING DIAGRAMS

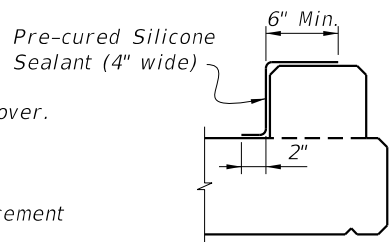
BILL OF REINFORCING STEEL

MARK	SIZE	LENGTH
P	4	2'-0"
S	4	As Reqd.



CURB REINFORCING STEEL NOTES:

- All bar dimensions in the bending diagrams are out to out.
- The reinforcement for the curb on a retaining wall shall be the same as detailed for an 8" deck.
- All reinforcing steel at the open joints shall have a 2" minimum cover.
- Bars 4S may be continuous or spliced at the construction joints. Bar splices for Bars 4S shall be a minimum of 1'-9".
- At the option of the Contractor Welded Wire Reinforcement (WWR) may be used in lieu of all Bars 4P and 4S. Welded Wire Reinforcement shall conform to ASTM A497.



DETAIL "A" - SECTION AT INTERMEDIATE OPEN JOINT

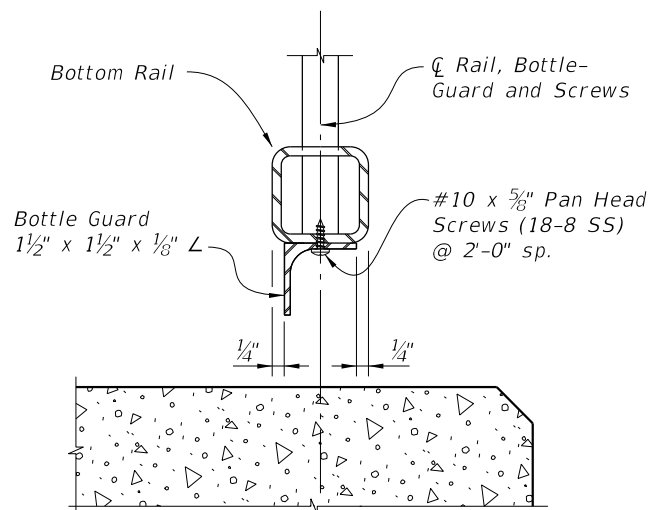
INTERMEDIATE JOINT SEAL NOTE:

At Intermediate Open Joints, seal the lower 6" portion of the open joint with Pre-cured Silicone Sealant in accordance with Specification Section 932. Apply sealant prior to any Class V finish coating and remove all curing compound and loose material from the surface prior to application of bonding agent.

ESTIMATED CONCRETE CURB QUANTITIES (SCHEME 2)

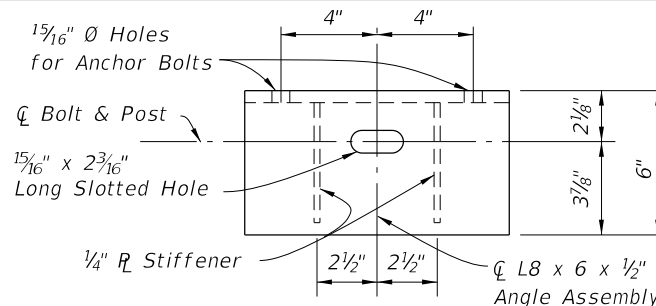
ITEM	UNIT	QUANTITY
Concrete	CY/LF	0.0124
Reinforcing Steel	LB/LF	4.01

SCHEME 2 - CONCRETE CURB DETAILS



TYPICAL SECTION THROUGH BOTTOM RAIL (Post Not Shown for Clarity)

SCHEME 1 - BOTTLE GUARD DETAIL



PLAN VIEW

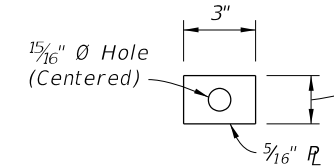
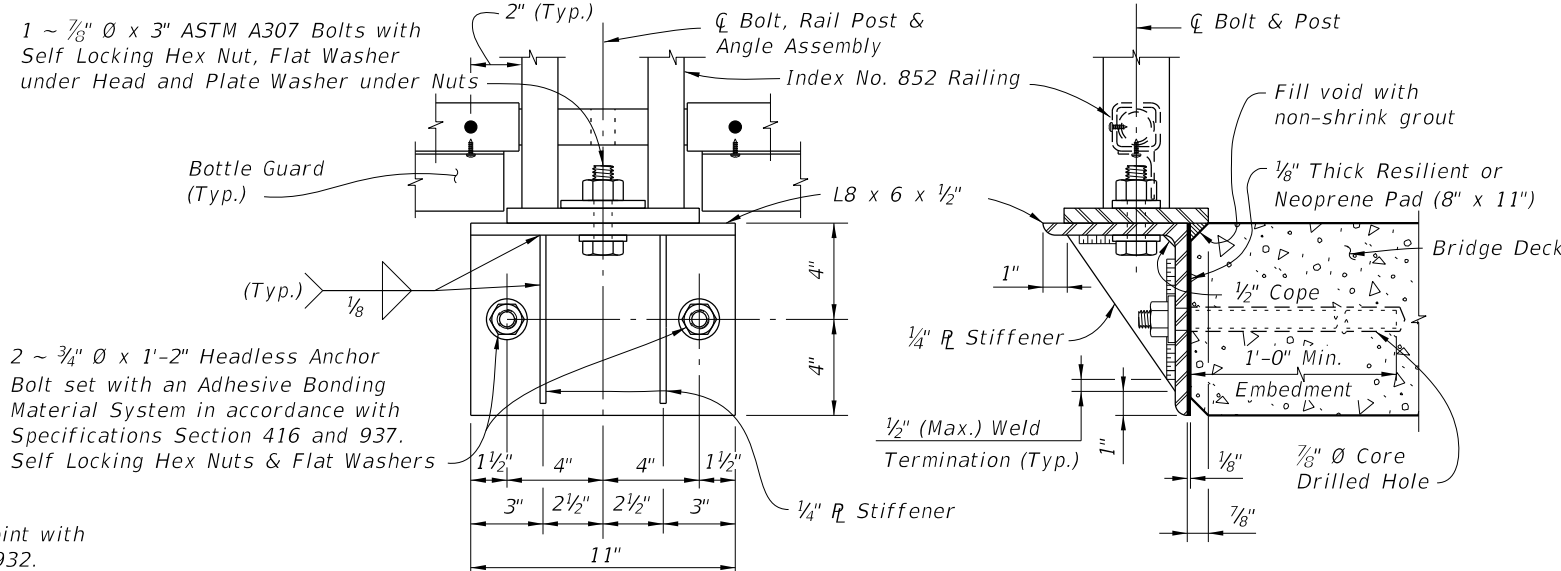


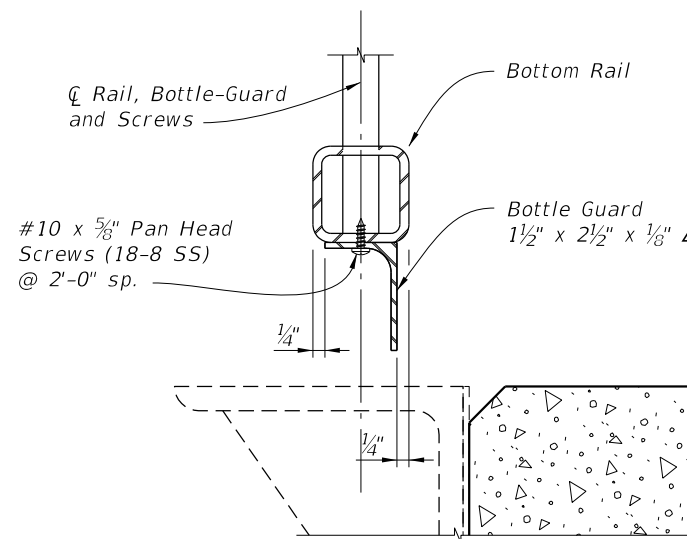
PLATE WASHER DETAIL



ELEVATION VIEW

TYPICAL SECTION

SCHEME 3 - SIDE-MOUNTED SUPPORT BRACKET DETAILS

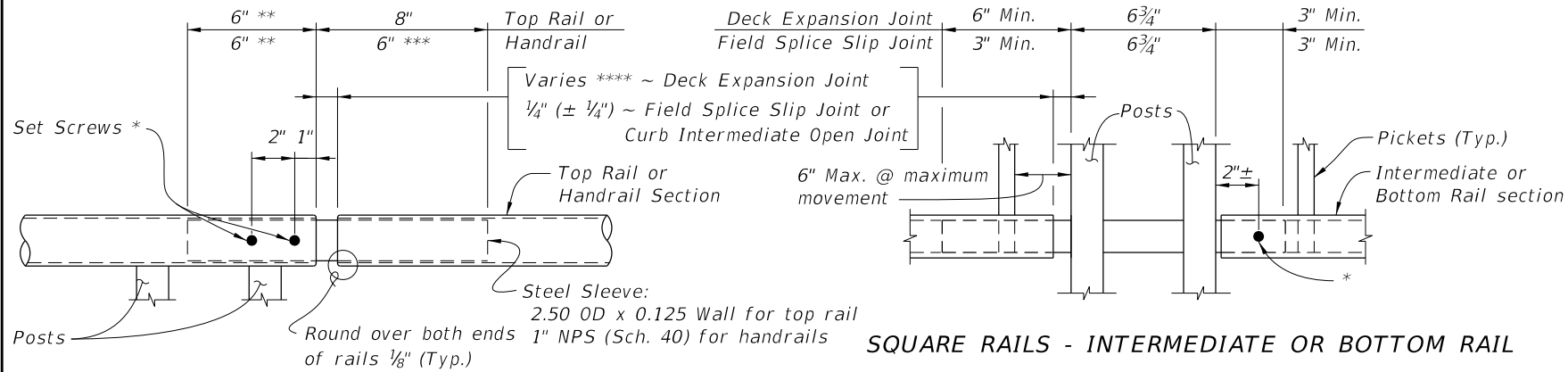


TYPICAL SECTION THROUGH BOTTOM RAIL (Post Not Shown for Clarity)

SCHEME 3 - BOTTLE GUARD DETAIL

CROSS REFERENCE:
See Sheet 3 for Bridge Railing Notes.

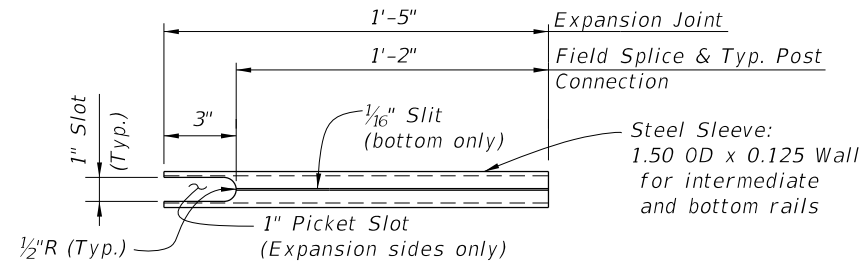
C:\projects\standards\structures\current\read\4release\2012book_draft\00851-2of3.dgn 12/30/2011 9:44:32 AM rd960rh



ROUND RAILS - TOP RAIL OR HANDRAIL

- * $\frac{1}{4}$ " \varnothing x $\frac{3}{4}$ " Pan Head Stainless Steel (Type 316 or 18-8 Alloy) Set Screws along outside face of railing. Set screws must be set flush against the rail surface. A $\frac{3}{4}$ " \varnothing plug weld may be substituted for the two set screws at expansion joints.
- ** Embedded length may be 4" for plug welded connection.
- *** Increase handrail sleeve embedment to 8" for Expansion Joint openings greater than 2".
- **** Expansion Joint opening shall match the clear opening in the deck joint but not greater than 3".

SQUARE RAILS - INTERMEDIATE OR BOTTOM RAIL



INTERMEDIATE OR BOTTOM RAIL - Steel SLEEVE DETAIL (Bottom Side Shown)

DETAIL "B" EXPANSION JOINT (FIELD SPLICE SIMILAR)

BRIDGE RAILING NOTES:

APPLICABILITY NOTE: Railing is limited to use on bridges with an expansion joint thermal movements not exceeding 5". Scheme 3 is limited to bridge retrofit applications where additional sidewalk width is required.

RAILING DETAILS: For Railing fabrication and installation details and notes see Index No. 852, except that railing shall be fabricated and installed normal to the Profile Grade longitudinally and vertical transversely, unless otherwise shown in the Contract Plans.

BOTTLE-GUARD (Schemes 1 & 3): L-Shape shall be in accordance with ASTM A36.

CONCRETE CURB (Scheme 2): Construct concrete curb vertical with the top surface finished level transversely. Concrete class shall be the same as the bridge deck.

SIDE MOUNTED SUPPORT BRACKET (Scheme 3): L-Shape and Stiffener Plate shall be in accordance with ASTM A36. Welding shall be in accordance with the American Society of Structural Welding Code (Steel) ANSI/AWS D1.1 (current edition). Weld metal shall be E60XX or E70XX. Nondestructive testing of welds is not required. The bracket shall be hot-dip galvanized after fabrication in accordance with Specification Section 962.

PAYMENT: Railing shall be paid per linear foot (Item No. 515-2-abb) for the steel railing and include the cost of support brackets (Scheme 3). Concrete and reinforcing steel quantities for the concrete curb (Scheme 2), will be included in the bridge deck plan quantity pay items. Payment will be plan quantity measured as the length along the center line of the top rail, and includes rails, posts, pickets, rail splice assembly, base plates, bottle-guards, anchor bolts, nuts, washers, resilient or neoprene pads and all incidental materials and labor required to complete installation of the railing.

12/30/2011 9:44:33 AM rd960/h C:\projects\standards\structures\current\ready\release\2012book_draft\00851-3of3.dgn

LAST REVISION	01/01/11	DESCRIPTION:	 FDOT DESIGN STANDARDS FY 2012/2013	BRIDGE PEDESTRIAN/BICYCLE RAILING (STEEL)	INDEX NO. 851	SHEET NO. 3
---------------	----------	--------------	--	--	-------------------------	-----------------------



3D VIEW OF RAILING WITH TYPE 1 - PICKET INFILL PANEL
(42" Height shown, 54" Height Similar)

TABLE 1 - RAILING MEMBERS

MEMBER	DESIGNATION	OUTSIDE DIMENSION	WALL THICKNESS
Post "A"	HSS2x2x $\frac{1}{8}$	2.00" x 2.00"	0.125"
Post "B"	HSS2x2x $\frac{3}{16}$	2.00" x 2.00"	0.188"
Top Rail	2 $\frac{1}{2}$ " NPS (Sch. 10)	2.875"	0.120"
	HSS3.000x0.120	3.000"	0.120"
End Hoops	2 $\frac{1}{2}$ " NPS (Sch. 10)	2.875"	0.120"
	HSS3.000x0.120	3.000"	0.120"
Top Rail Joint/Splice Sleeves	HSS2.500x0.125	2.500"	0.125"
Intermediate & Bottom Rail	HSS2x2x $\frac{3}{16}$	2.00" x 2.00"	0.188" (1)
Int. & Bottom Rail Post Connection Sleeve	HSS1.500x0.125	1.500"	0.125" (1)
Handrail Joint/Splice Sleeves	1" NPS (Sch. 40)	1.315"	0.133"
Handrails	1 $\frac{1}{2}$ " NPS (Sch. 40)	1.900"	0.145"
Handrail Support Bar	$\frac{3}{4}$ " \emptyset Round Bar	0.750"	N/A
Pickets (Type 1 Infill Panel)	$\frac{3}{4}$ " \emptyset Round Bar	0.750"	N/A
Infill Panel Members (Types 2 - 5)	Varies (See Details)	Varies	Varies

TABLE 1 NOTES:

(1) 0.125" wall thickness permitted for rails with post spacings less than 5'-8", except that Post Connection Sleeve must be 1 $\frac{1}{4}$ " NPS (Sch. 40).

DESIGN LOADS, GEOMETRY AND APPLICABILITY:

See the Instructions for Design Standards for the design loads, geometry and applicability requirements.

GENERAL:

Adequate foundation support shall be provided for anchorage and stability against overturning. See Index No. 851 for special requirements and modifications for use on bridges. The railing shown on these drawings requires a handrail for ramps steeper than a 5% grade to conform with the requirements of the Americans with Disabilities Act (ADA).

RAILS, PANELS AND POSTS:

Pipe Rails and Pickets shall be in accordance with ASTM A500 Grade B, C or D, or ASTM A53 Grade B for standard weight pipe (Schedule 40) or ASTM A36 for bars. Structural Tube shall be in accordance with ASTM A500 Grade A, B, C or D, or ASTM A501. Perforated panels (Type 5), U-Channels and filler plates shall be ASTM A36 or A1011 (Grade 36). Posts and End Rails shall be fabricated and installed plumb, \pm 1" tolerance when measured at 3'-6" above the foundation. Pickets and vertical panel elements shall be fabricated parallel to the posts, except that Type 2, 3 & 5 panel infills may be fabricated parallel to the longitudinal grade. Corners and changes in tangential longitudinal alignment shall be made continuous with a 9" bend radius or terminate at adjoining sections with mitered end sections when handrails are not required. For changes in tangential longitudinal alignment greater than 45°, posts shall be positioned at a maximum distance of 2'-0" each side of the corner and shall not be located at the corner apex. For curved longitudinal alignments the top and bottom rails and handrails shall be shop bent to match the alignment radius.

BASE PLATES AND RAIL CAPS:

Base Plates and Rail Cap Plates shall be in accordance with ASTM A36 or ASTM A709 Grade 36.

SHIM PLATES:

Shim Plates shall be aluminum in accordance with ASTM B209, Alloy 6061 or 6063. Shim plates shall be used for foundation height adjustments greater than $\frac{1}{4}$ " and localized irregularities greater than $\frac{1}{8}$ ". Field trim shim plates when necessary to match the contours of the foundation. Beveled shim plates may be used in lieu of trimmed flat shim plates shown. Stacked shim plates must be bonded together with adhesive bonding material and limited to a maximum total thickness of $\frac{1}{2}$ ", unless longer anchor bolts are provided for the exposed thread length.

ANCHOR BOLTS:

Anchor bolts shall be in accordance with ASTM F1554 Grade 36. Headless anchor bolts for Adhesive Anchors shall be threaded full length. Cutting of reinforcing steel is permitted for drilled hole installation. Expansion Anchors are not permitted. All anchor bolts shall have single self-locking hex nuts. Tack welding of the nut to the anchor bolt may be used in lieu of self-locking nuts. All nuts shall be in accordance with ASTM A563 or ASTM A194. Flat Washers shall be in accordance with ASTM F436 and Plate Washers (for long slotted holes only), shall be in accordance with ASTM A36 or ASTM A709 Grade 36. After the nuts have been snug tightened, the anchor bolt threads shall be distorted to prevent removal of the nuts. Distorted threads and tack welds shall be coated with a galvanizing compound in accordance with the Specifications.

RESILIENT AND NEOPRENE PADS:

Resilient and Neoprene pads shall be in accordance with Specification Section 932 except that testing of the finished pads shall not be required. Neoprene pads shall be durometer hardness 60 to 80.

JOINTS:

All welded joints are to be ground smooth. Expansion joints shall be spaced at a maximum 40'-0". Field splices similar to the expansion joint detail may be approved by the Engineer to facilitate handling, but top rail must be continuous across a minimum of two posts.

WELDING:

All welding shall be in accordance with the American Welding Society Structural Welding Code (Steel) ANSI/AWS D1.1 (current edition). Weld metal shall be E60XX or E70XX. Nondestructive testing of welds is not required.

COATINGS:

The steel railing shall be hot-dip galvanized after fabrication in accordance with Section 962 of the Specifications mill finish unless otherwise noted in the Contract Documents. All nuts, bolts and washers shall be hot-dip galvanized in accordance with Specification Section 962.

SHOP DRAWINGS:

Complete details addressing project specific geometry (line & grade) showing post and expansion joint locations, post and panel type, anchor bolt installation "Case" or lengths, must be submitted by the Contractor for the Engineer's approval prior to fabrication of the railing. Shop drawings shall be in accordance with the Specifications.

PAYMENT:


Railing shall be paid for per linear foot (Item No. 515-2-abb). Payment will be plan quantity measured as the length along the center line of the top rail, and includes rails, posts, pickets, panels, rail splice assembly, base plates, anchor bolts, nuts, washers, resilient or neoprene pads and all incidental materials and labor required to complete installation of the railing.

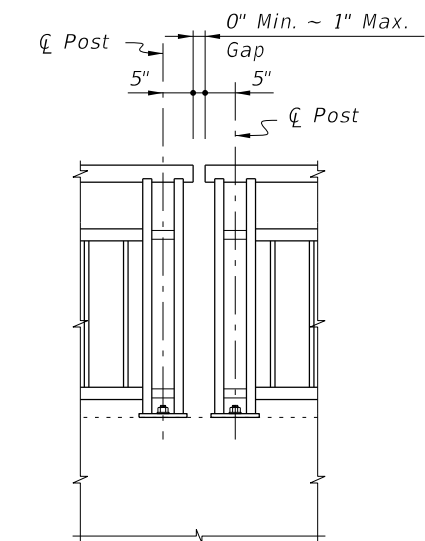
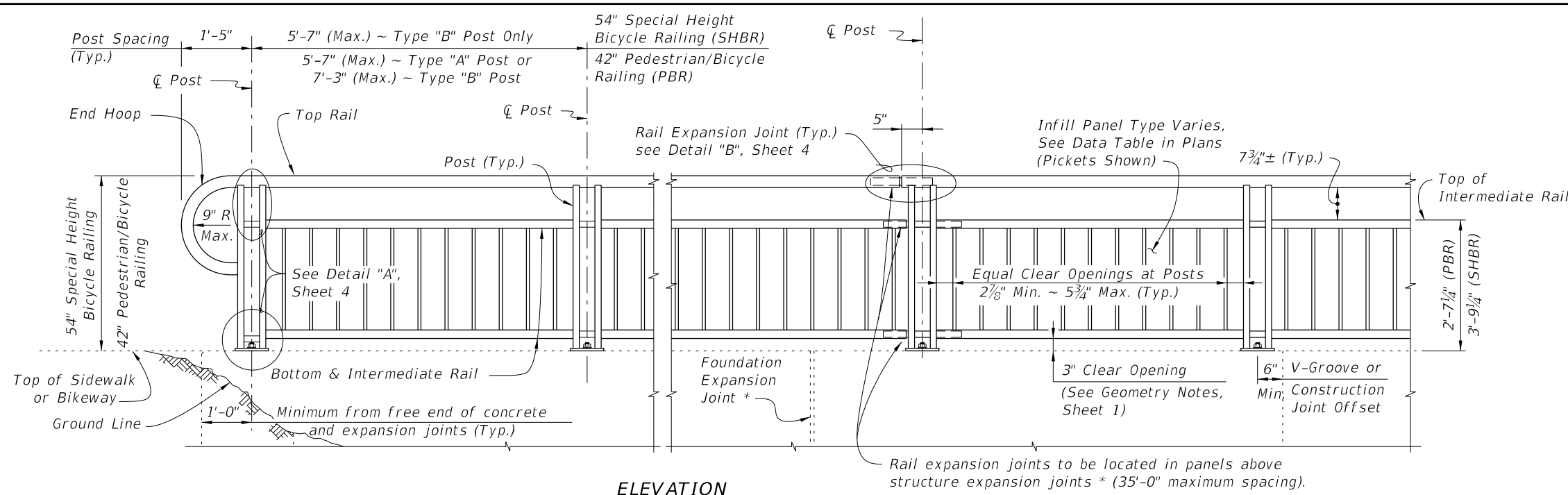
C:\projects\standards\structures\current\yeadl\4release\2012book_draft\00852-1of8.dgn

rd960rh

11:46:24 AM

12/30/2011

LAST REVISION 01/01/12	REVISION	DESCRIPTION:	 FDOT DESIGN STANDARDS FY 2012/2013	STEEL PEDESTRIAN/BICYCLE RAILING	INDEX NO. 852	SHEET NO. 1
---------------------------	----------	--------------	---	---	-------------------------	-----------------------



Note: Non-continuous corners are permitted when handrails are not required.

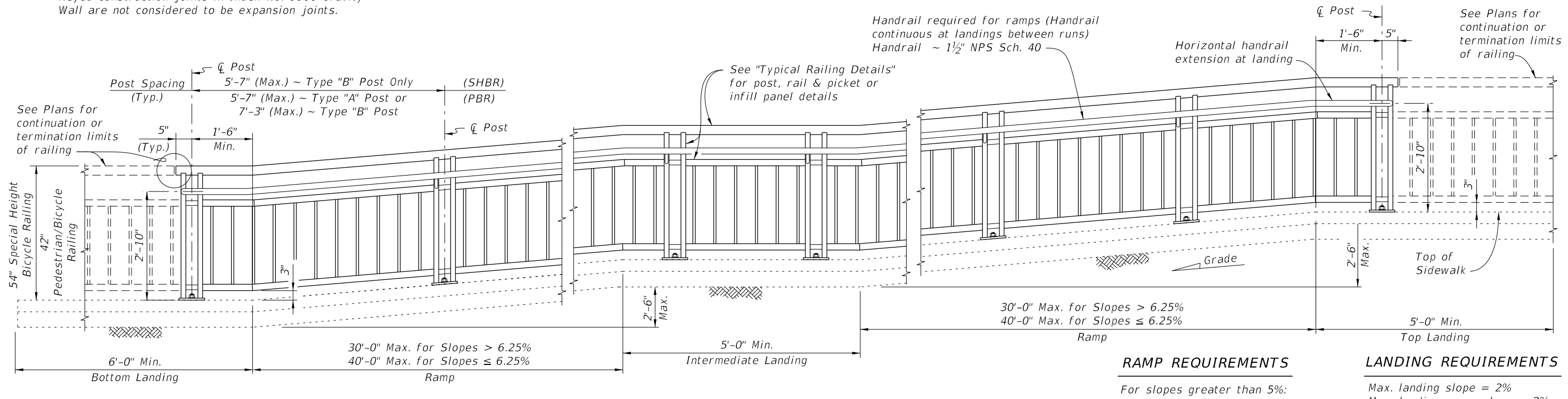
ELEVATION
(Showing Outside Face of Railing with Type "A" Posts)

EXPANDED ELEVATION AT CORNERS

TYPICAL RAILING DETAILS & RAILINGS ON GRADES 0% TO 5%
(Type 1 - Picket Railing Shown, Other Types Similar)

DETAIL FOR NON-CONTINUOUS RAILING AT CORNERS

NOTES:
* Keyed construction joints in Index No. 6011 Gravity Wall are not considered to be expansion joints.




RAMP REQUIREMENTS
For slopes greater than 5%:
Max. ramp slope = 8.33%
Max. ramp cross-slope = 2.0%

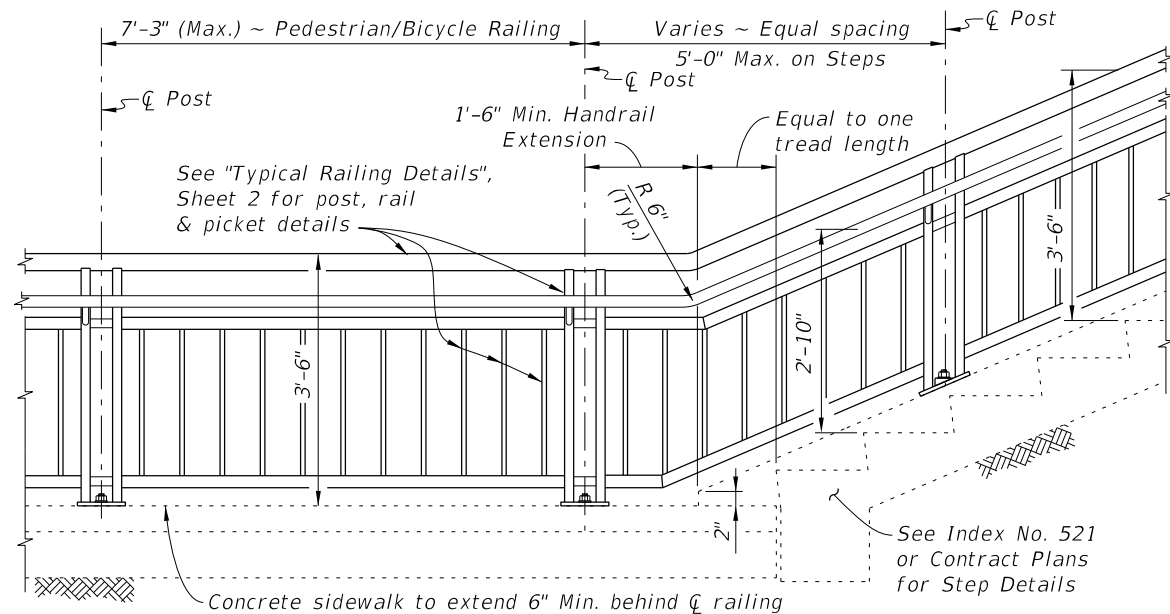
LANDING REQUIREMENTS
Max. landing slope = 2%
Max. landing cross-slope = 2%

ELEVATION
(Showing Inside Face of Railing with Type "A" Posts)

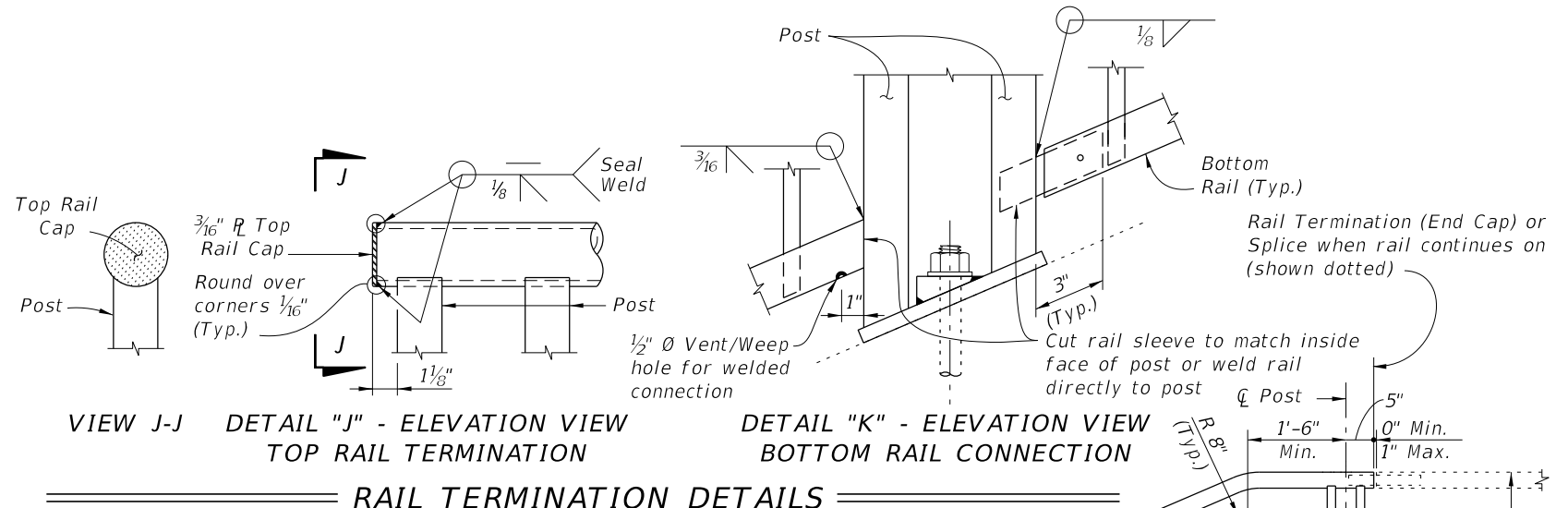
RAILINGS ON GRADES STEEPER THAN 5%
(Type 1 - Picket Railing Shown, Other Types Similar)

C:\projects\standards\structures\current\yeady\4release_2012\book_draft\0852-2of8.dgn
r0960rh
9:44:35 AM
12/30/2011

LAST REVISION 01/01/11	DESCRIPTION:	 FDOT DESIGN STANDARDS FY 2012/2013	STEEL PEDESTRIAN/BICYCLE RAILING	INDEX NO. 852	SHEET NO. 2



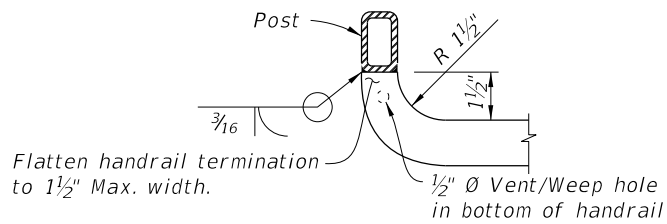
RAILING CONTINUATION BEYOND STEPS OR STAIRS
(Bottom shown, Top similar)



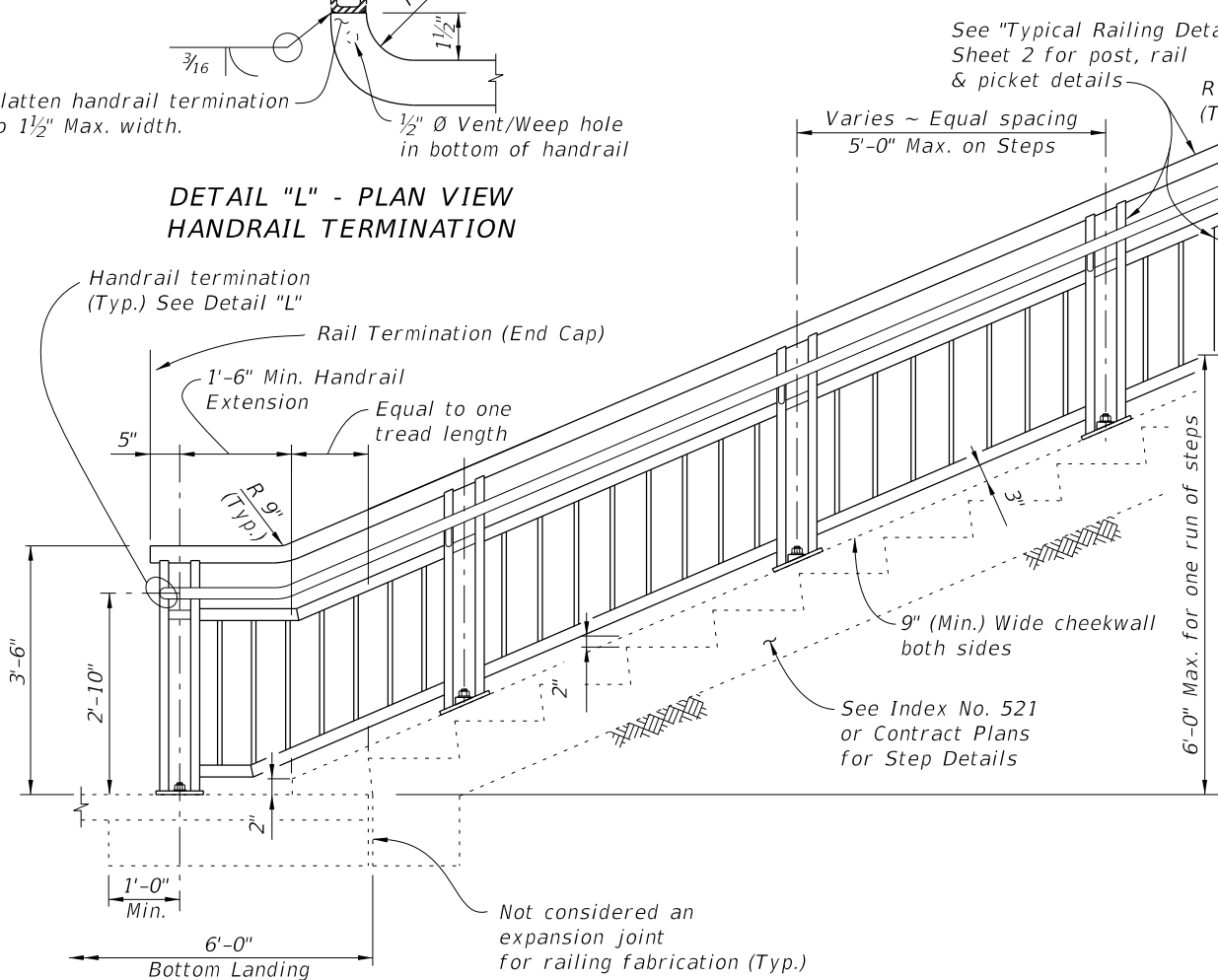
VIEW J-J DETAIL "J" - ELEVATION VIEW TOP RAIL TERMINATION

DETAIL "K" - ELEVATION VIEW BOTTOM RAIL CONNECTION

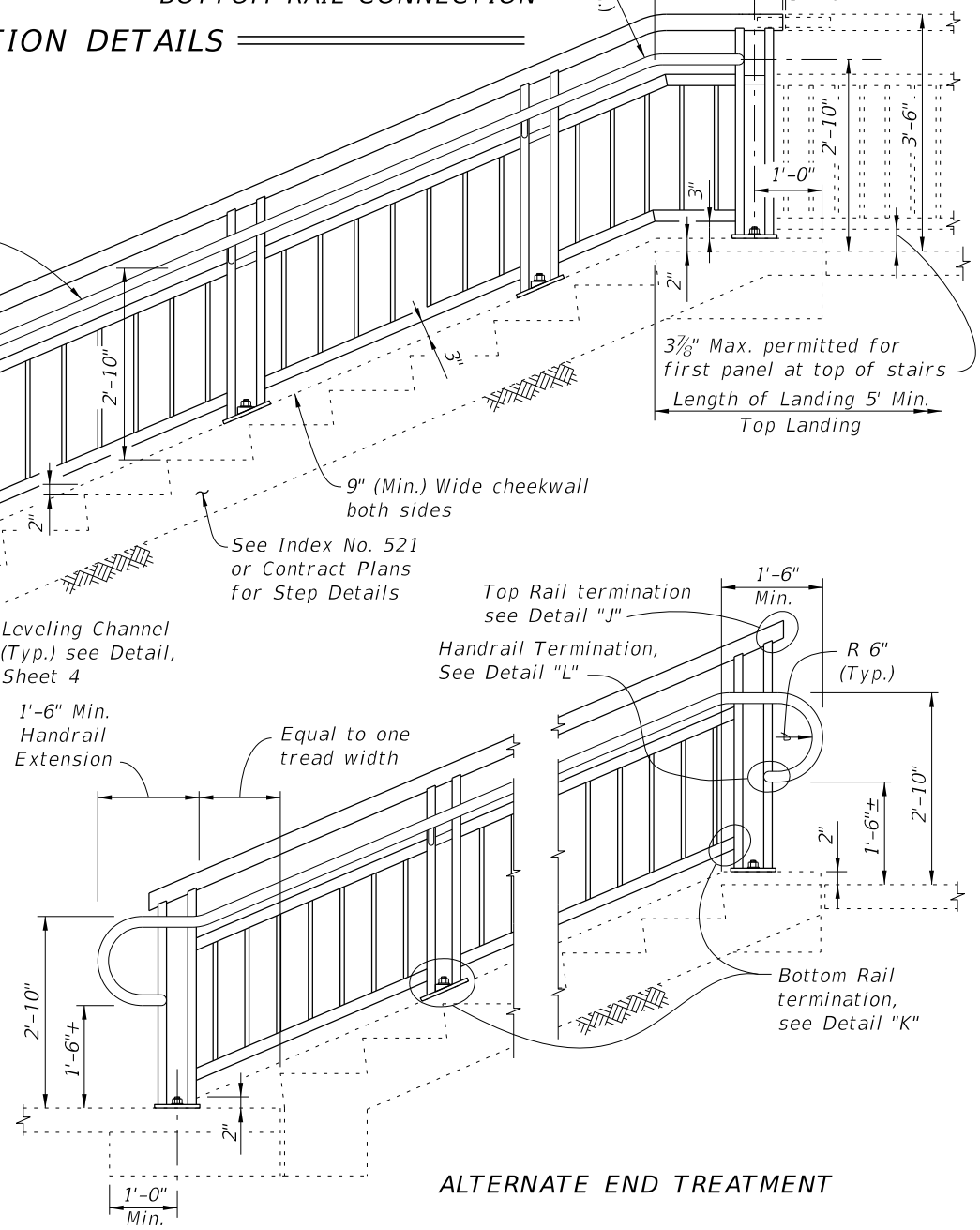
RAIL TERMINATION DETAILS



DETAIL "L" - PLAN VIEW HANDRAIL TERMINATION



ELEVATION
(At-Grade Steps shown, Elevated Stairs similar)



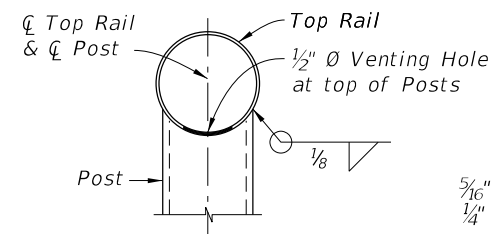
ALTERNATE END TREATMENT

RAILINGS ON STEPS & STAIRS

12/30/2011 9:44:36 AM r0960rh C:\projects\standards\structures\current\read\4release\2012book_draft\00852-3of8.dgn

LAST REVISION	DESCRIPTION:	FDOT DESIGN STANDARDS FY 2012/2013	STEEL PEDESTRIAN/BICYCLE RAILING	INDEX NO.	SHEET NO.
01/01/11	REVISION			852	3

C:\projects\standards\structures\current\ready\4release\2012book_draft\0852-4of8.dgn
 rd960rh
 9:44:36 AM
 12/30/2011



SECTION A-A
(Top Rail Connection)

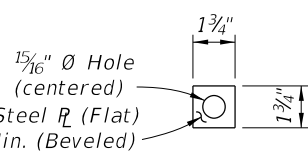
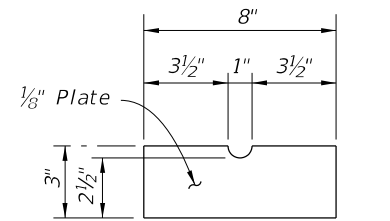
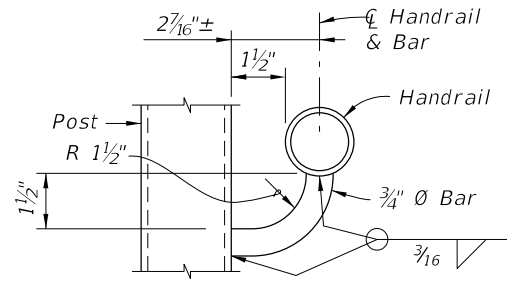


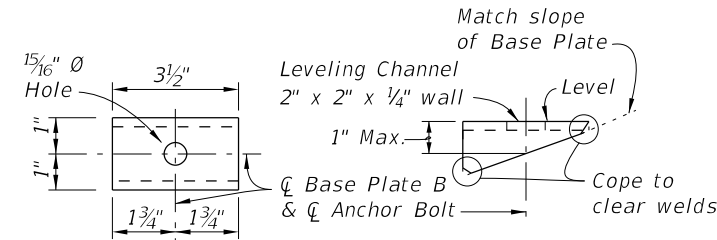
PLATE WASHER DETAIL



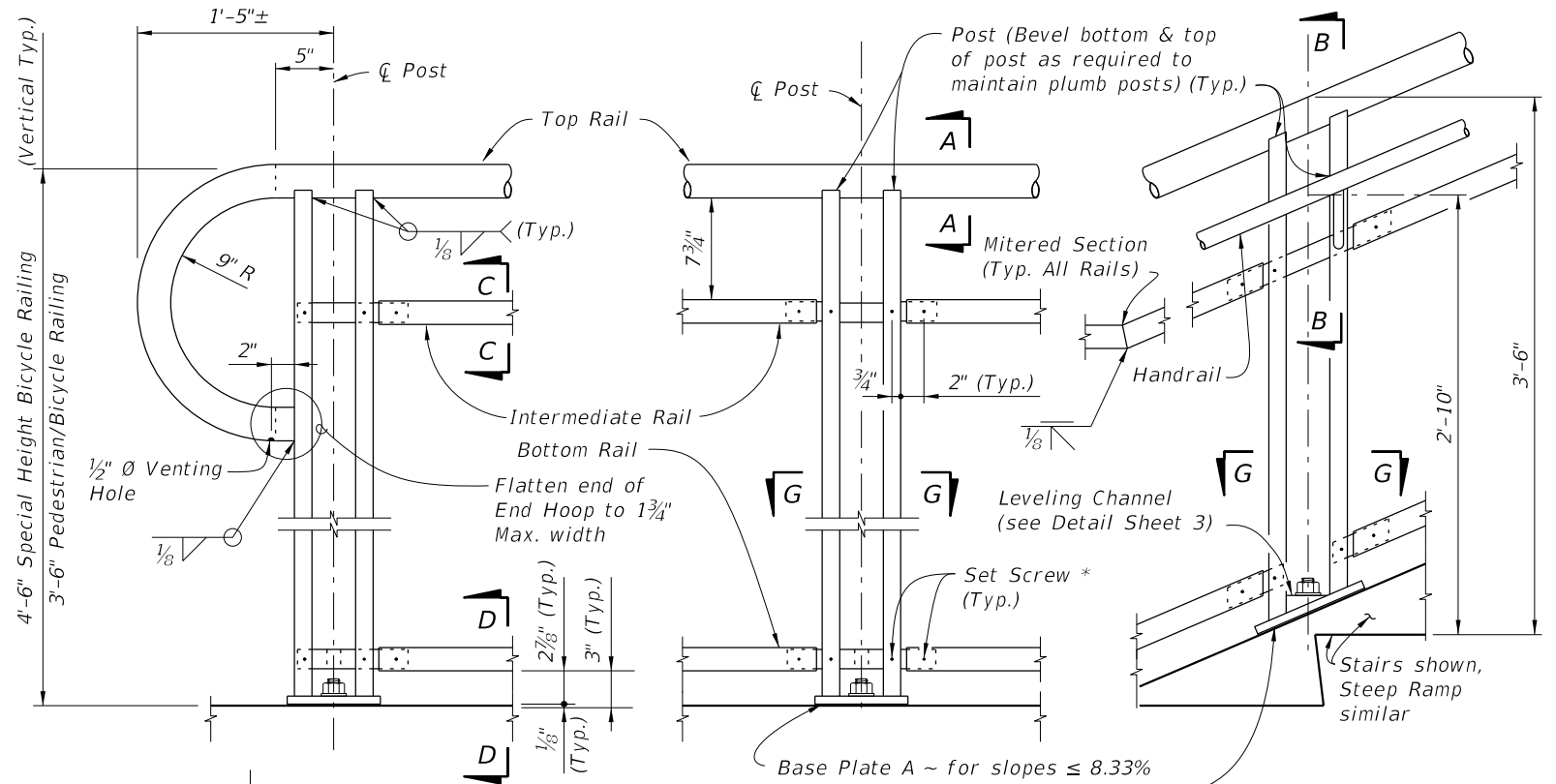
SHIM PLATE DETAIL



SECTION B-B
(Handrail Connection)

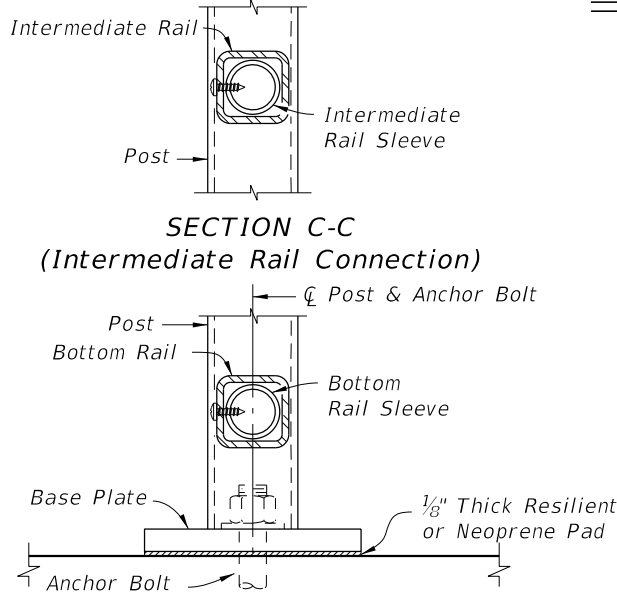


TOP VIEW
SIDE VIEW
LEVELING CHANNEL DETAIL



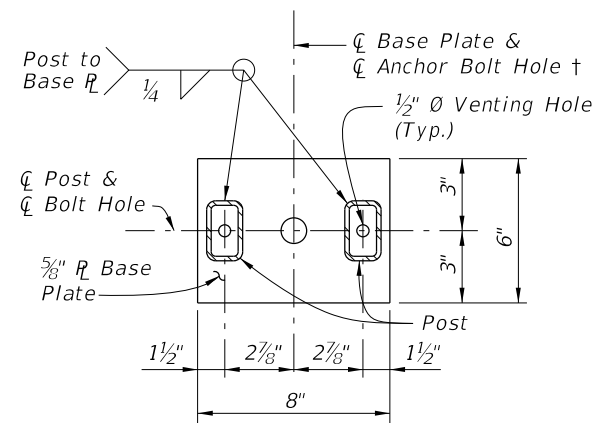
DETAIL "A" - RAIL CONNECTIONS
(Pickets/Panels Not Shown for Clarity)

- NOTES:**
- † Base Plate A (Ramps - Bolts normal) use 1 1/16" Ø Holes for Anchor Bolts with Flat Washers for slopes ≤ 8.33%.
 - ‡ Base Plate B (Stairs - Bolts plumb) use 1 1/4" Ø Holes for Anchor Bolts with Beveled Plate and Washers for slopes > 8.33% to ≤ 15%; use 1 5/16" x 1 1/2" Slotted Holes with Leveling Channel for slopes > 15%.
 - * 1/4" Ø x 3/4" Pan Head Stainless Steel (Type 316 or 18-8 Alloy) Set Screws. Screws must be set flush against the outside face of rails & posts and underside of handrails. 1/2" Ø plug welds may be substituted for the Set Screws.
 - ** Embedded length may be 4" for plug welded connection.

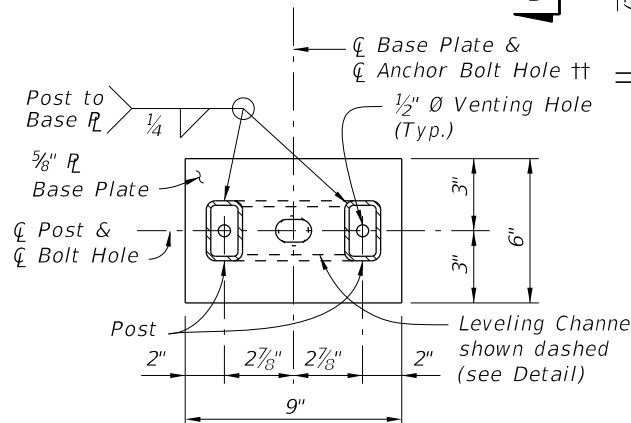


SECTION C-C
(Intermediate Rail Connection)

SECTION D-D
(Bottom Rail Connection)

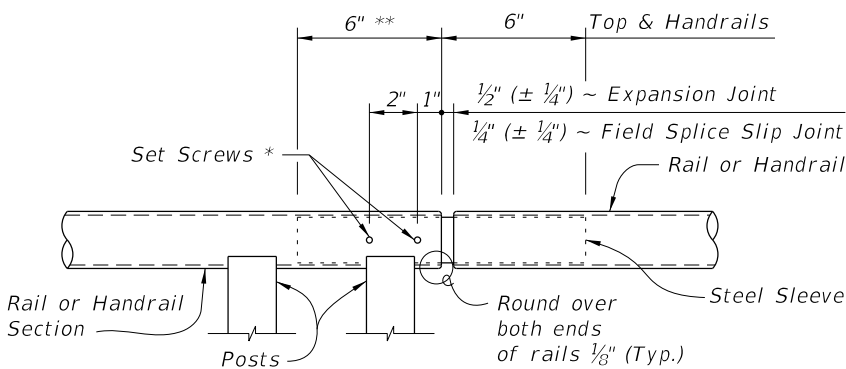


BASE PLATE A

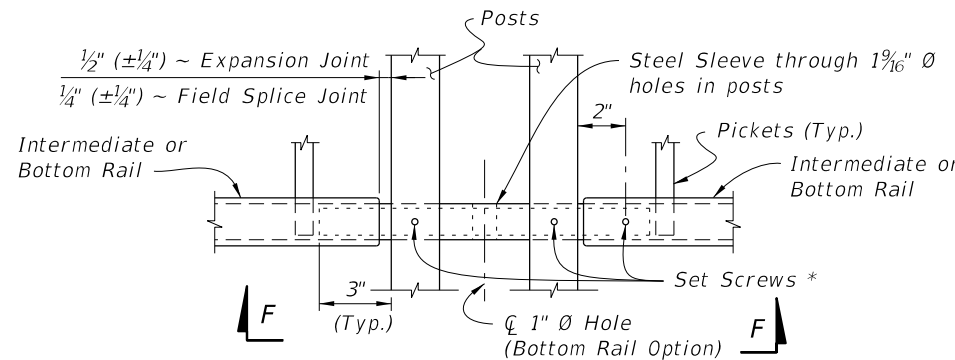


BASE PLATE B

SECTION G-G - BASE PLATE DETAILS

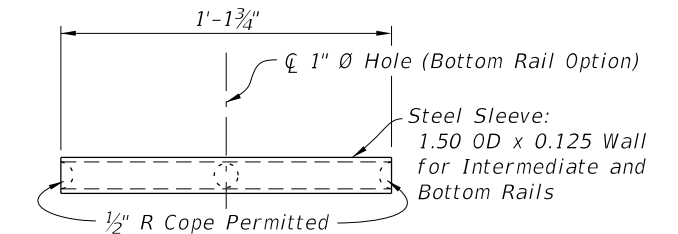


ROUND RAILS - TOP RAIL OR HANDRAIL
(Top Rail at Expansion Joint Shown)



SQUARE RAILS - INTERMEDIATE OR BOTTOM RAIL
(Bottom Rail Shown at Expansion Joint Shown)

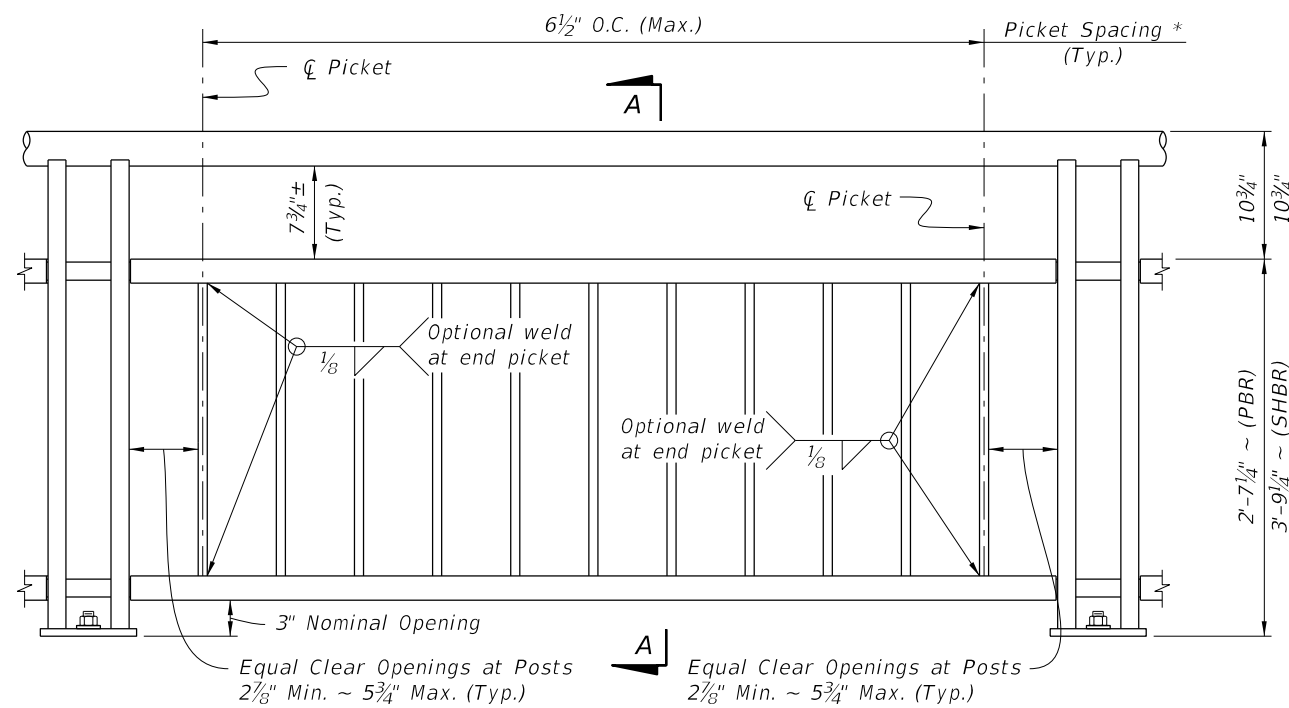
DETAIL "B" - EXPANSION JOINT (FIELD SPLICE SLIP JOINT SIMILAR)



VIEW F-F
INTERMEDIATE OR BOTTOM RAIL -
STEEL SLEEVE DETAIL (Bottom Side Shown)

CROSS REFERENCE:
For location of Details "B", See Sheet 2.

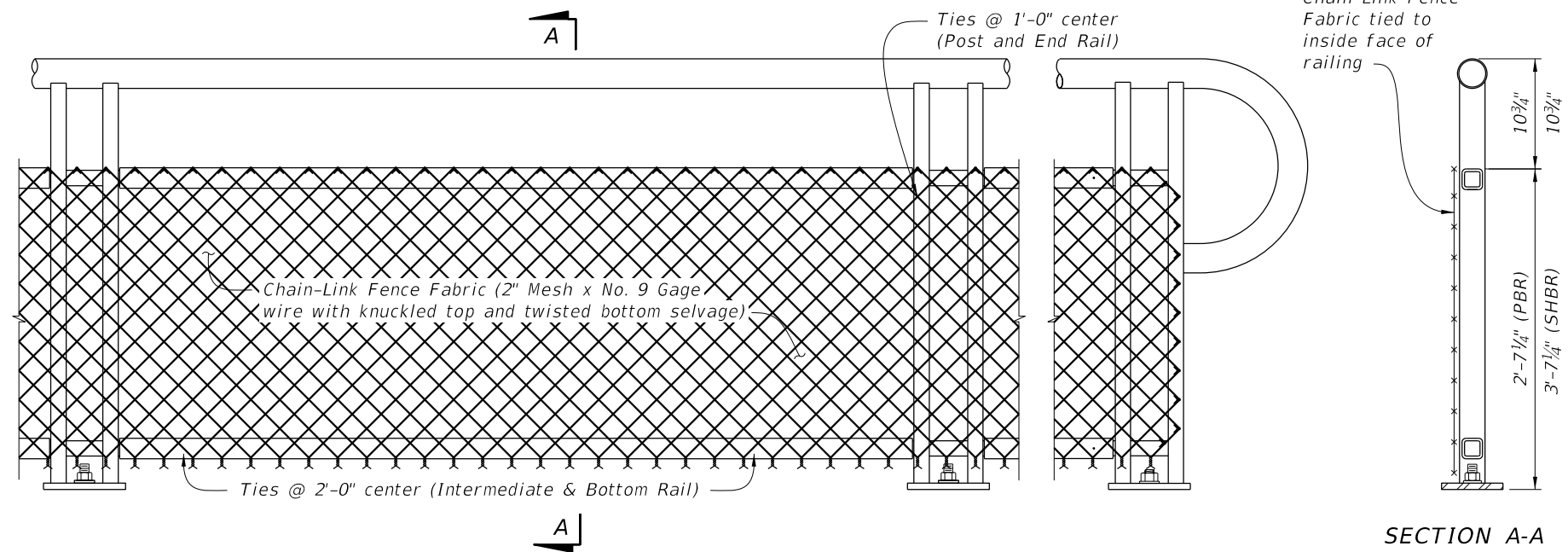
LAST REVISION	DESCRIPTION:	FDOT DESIGN STANDARDS FY 2012/2013	STEEL PEDESTRIAN/BICYCLE RAILING	INDEX NO. 852	SHEET NO. 4
01/01/11					



TYPE 1 - PICKET INFILL PANEL

PICKET NOTES:

* Picket Spacing of 6 1/2" centers is based on a 3/4" NPS for standard applications. When shown in the Contract Plans a 4 1/2" picket spacing may be required. If an alternate design is used, maintain a maximum clear opening of 5 7/8" for standard installations and 3 7/8" for special conditions.



TYPE 2 - CHAIN-LINK (Continuous Infill Panel)

NOTES:

1. See Plans for Infill Panel option required.

SECTION A-A

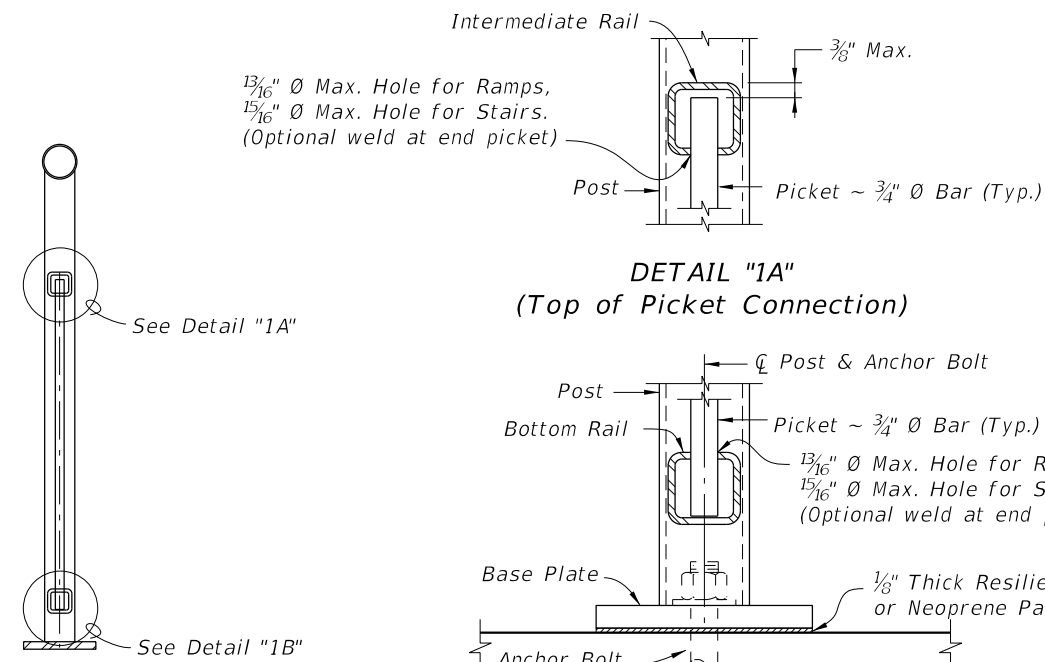


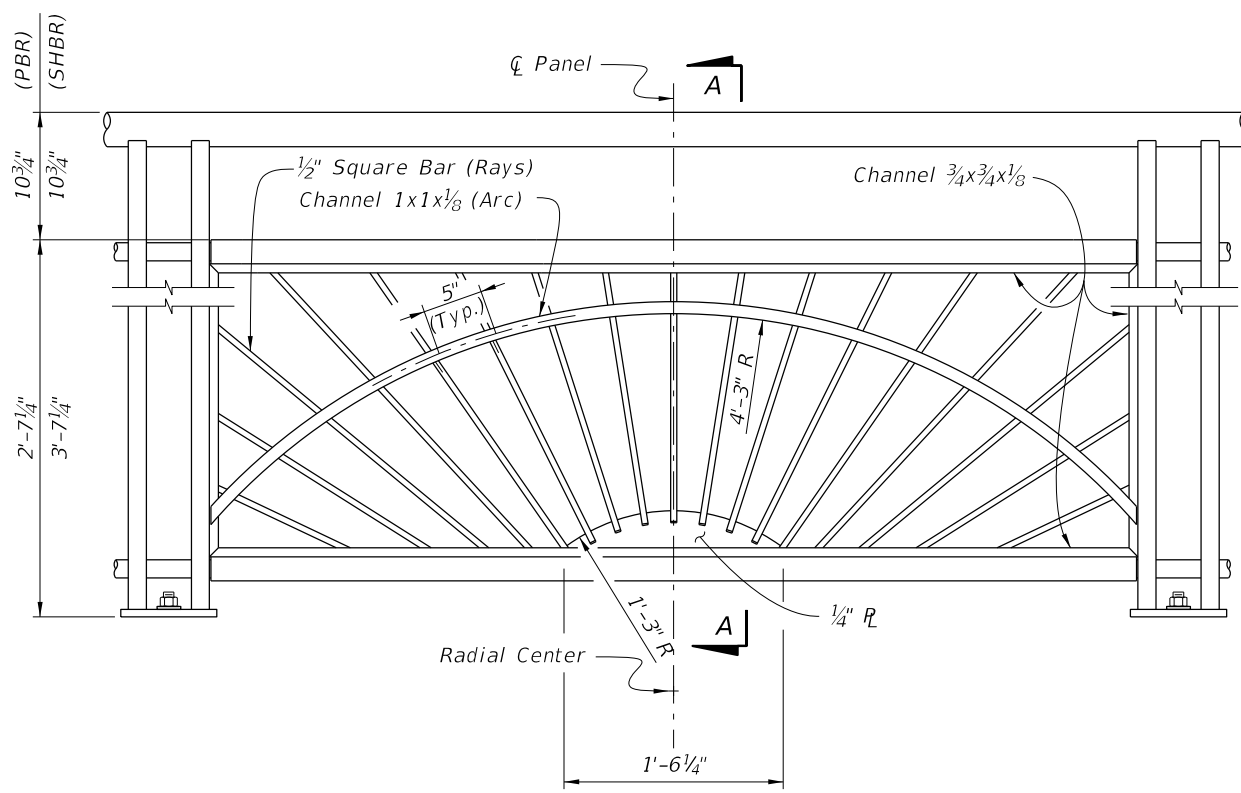
TABLE 2 - CHAIN-LINK PANEL COMPONENT MATERIALS		
COMPONENT	ASTM	COMPONENT INFORMATION
Chain-Link Fence Fabric (2" mesh with twisted bottom and knuckled top selvage)	A 392	Zinc-Coated Steel - No. 9 gage (coated wire diameter), Class 2 Coating
	A 491	Aluminum-Coated Steel - No. 9 gage (coated wire diameter)
	F 668	Polyvinyl Chloride (PVC) Coated Steel - No. 9 gage Zinc-Coated Wire (metallic-coated core wire diameter) ~ See Plans for specified color of PVC.
Tie Wires	F 626	Zinc-Coated Steel Wire - No. 9 gage with coating to match Chain-Link Fence Fabric.
Tension Bars	F 626	3/16" (Min. thickness) x 3/4" (Min. width) x 2'-3' (Min. height) Steel Bars
Miscellaneous Fence Components	F 626	Zinc-Coated Steel

CHAIN-LINK PANEL NOTE:

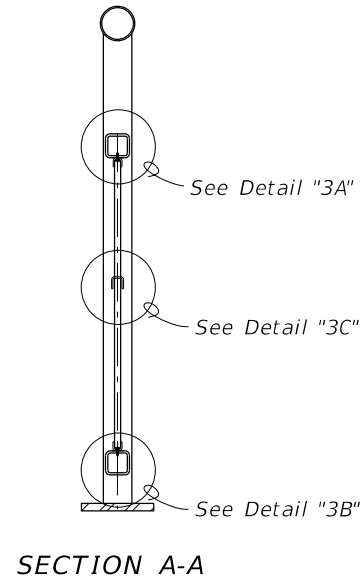
Chain-Link Fence Fabric shall be continuous along limits of railing. Splicing of Chain-Link panels using Tension Bars at 20'-0" minimum increments is permitted.

C:\projects\standards\structures\current\read\4release\2012book_draft\00852-5of8.dgn 9:44:37 AM 12/30/2011

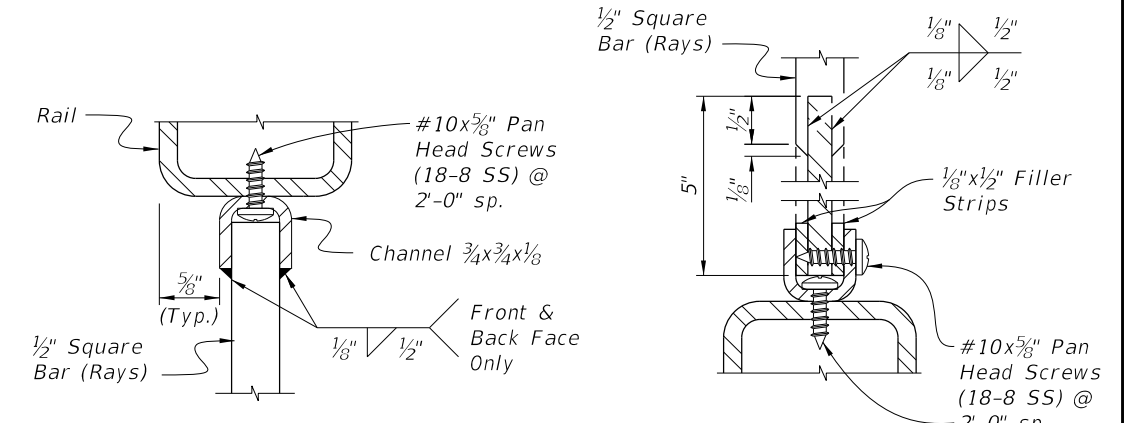
C:\projects\standards\structures\current\ready\4release\2012book_draft\00852-6of8.dgn
 9:44:38 AM
 rd960r/h
 12/30/2011



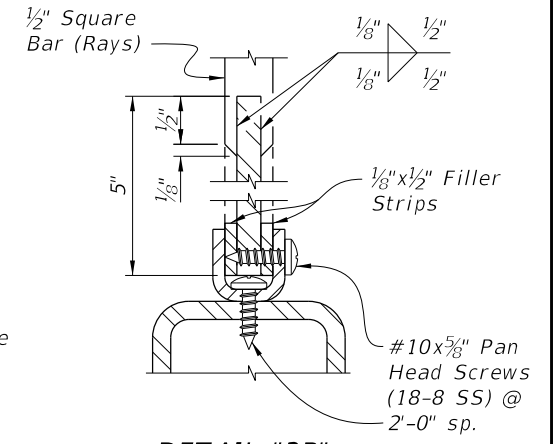
TYPE 3 - SUNSHINE INFILL PANEL



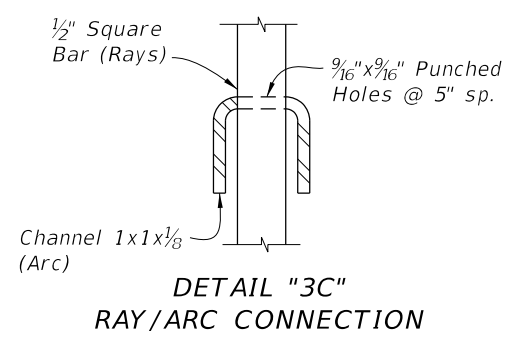
SECTION A-A



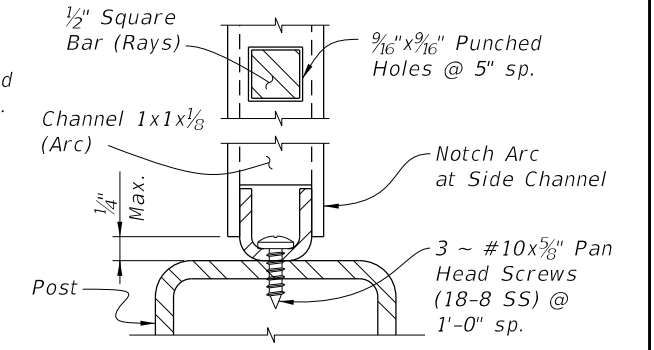
**DETAIL 3A
INTERMEDIATE RAIL/RAY
CONNECTION**



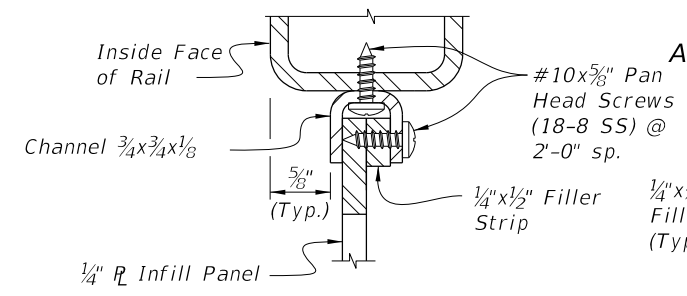
**DETAIL 3B
BOTTOM RAIL/RAY CONNECTION**



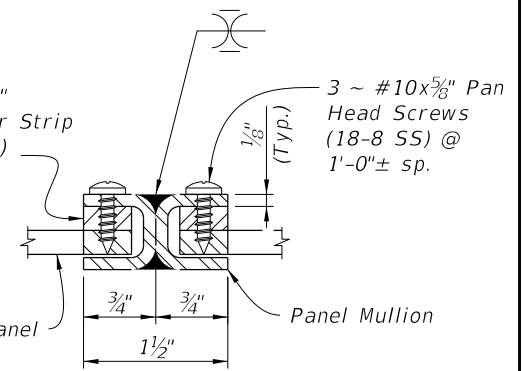
**DETAIL 3C
RAY/ARC CONNECTION**



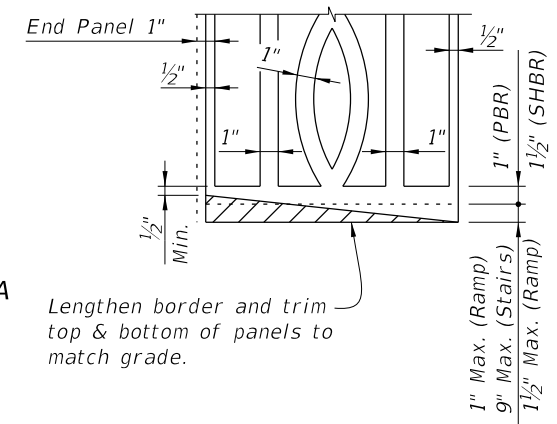
**DETAIL 3D
ARC/POST CONNECTION**



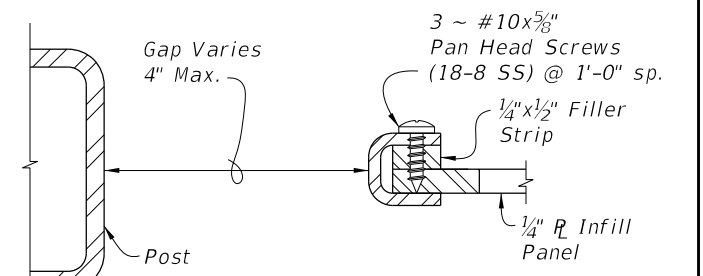
**DETAIL 4A
PANEL/RAIL CONNECTION
(Top Shown, Bottom Similar)**



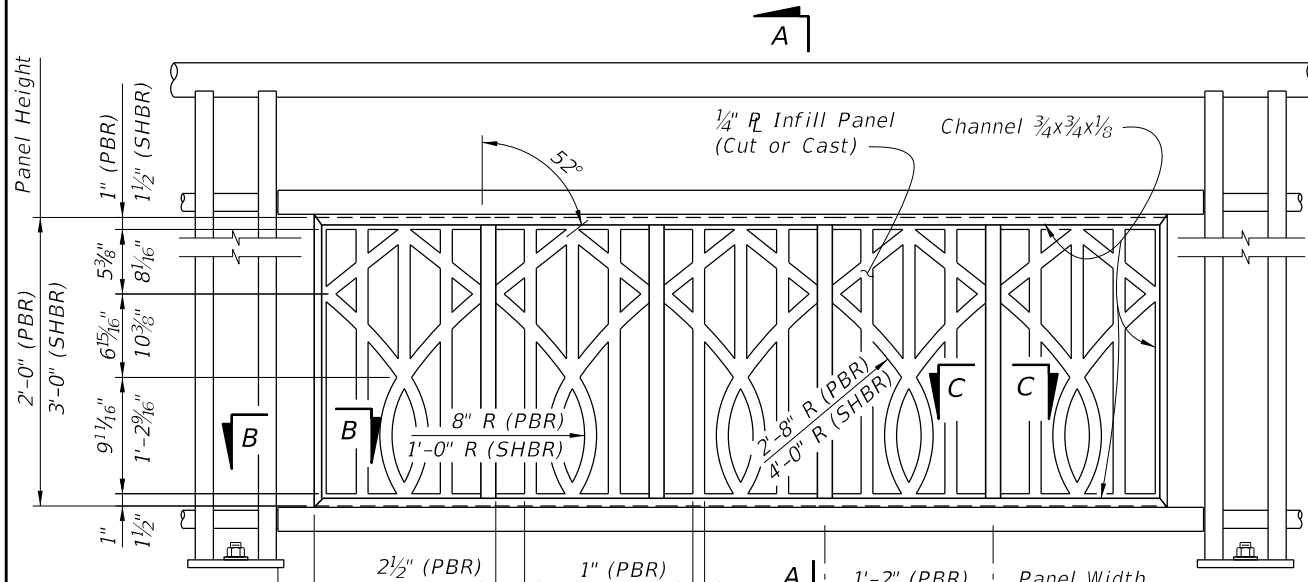
**SECTION C-C
PANEL/SPLICE CONNECTION**



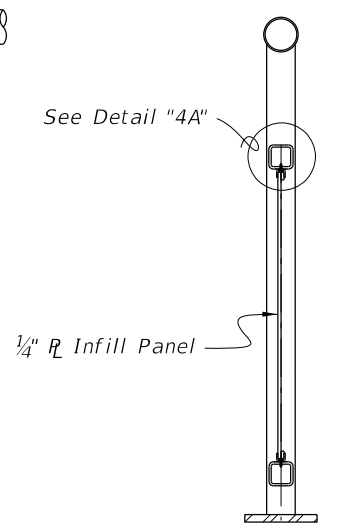
**PANEL ADJUSTMENT FOR RAILINGS
ON GRADES**



**SECTION B-B
PANEL END CAP**



TYPE 4 - BROADWAY INFILL PANEL

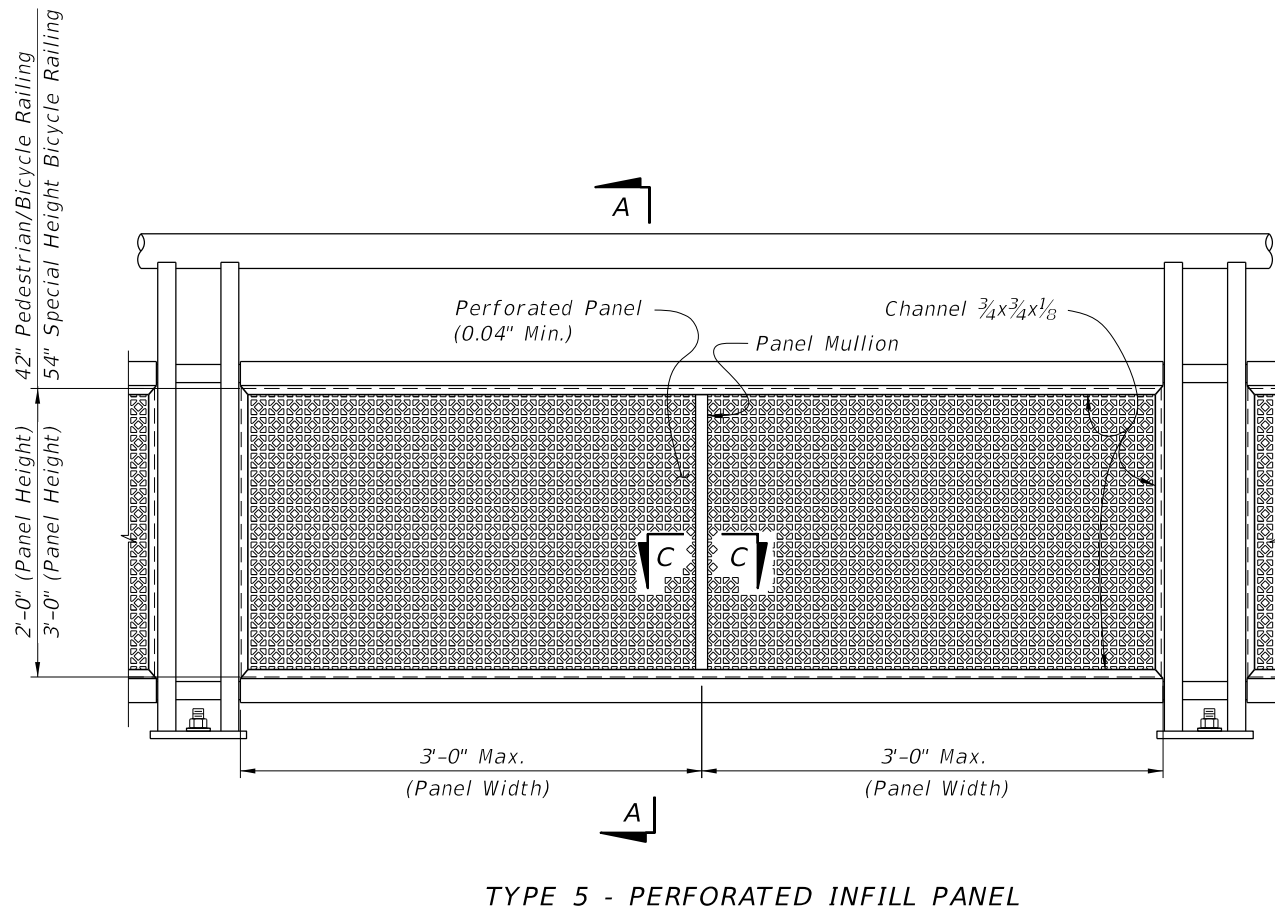


SECTION A-A

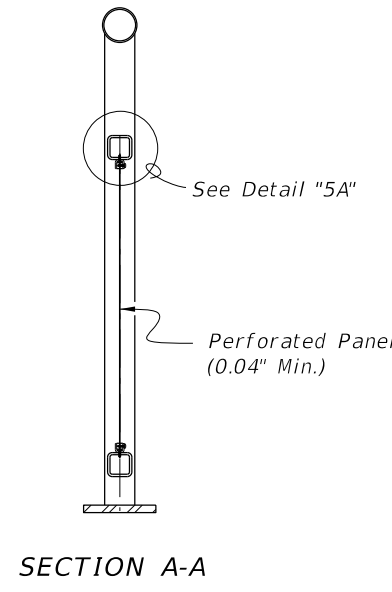
NOTES:
 1. See Plans for Infill Panel Option required.

LAST REVISION 01/01/11	DESCRIPTION:	 FDOT DESIGN STANDARDS FY 2012/2013	STEEL PEDESTRIAN/BICYCLE RAILING	INDEX NO. 852	SHEET NO. 6
REVISION					

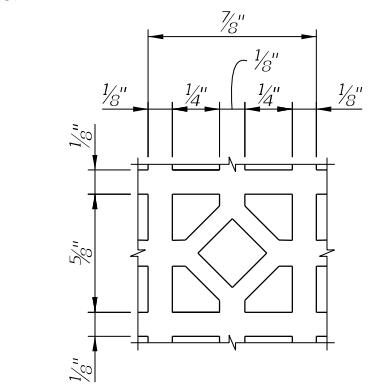
12/30/2011 9:44:39 AM rd9607h C:\projects\standards\structures\current\read\4release\2012book_draft\0852-7of8.dgn



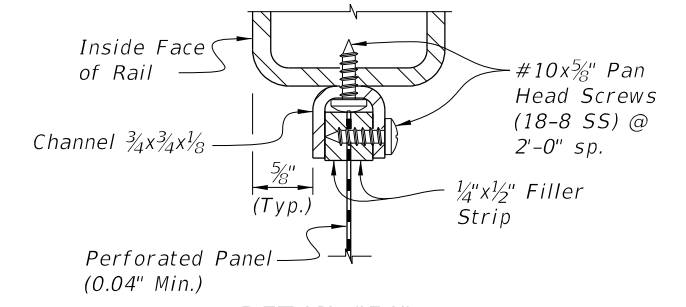
TYPE 5 - PERFORATED INFILL PANEL



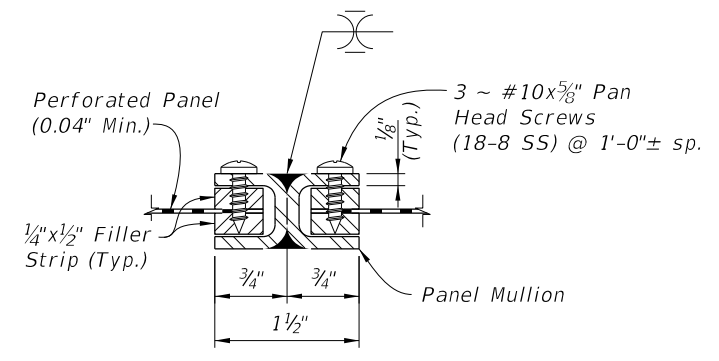
SECTION A-A



REPEATING PATTERN DETAIL FOR PERFORATED PANEL




DETAIL "5A" PANEL/RAIL CONNECTION (Top Shown, Bottom & Sides Similar)



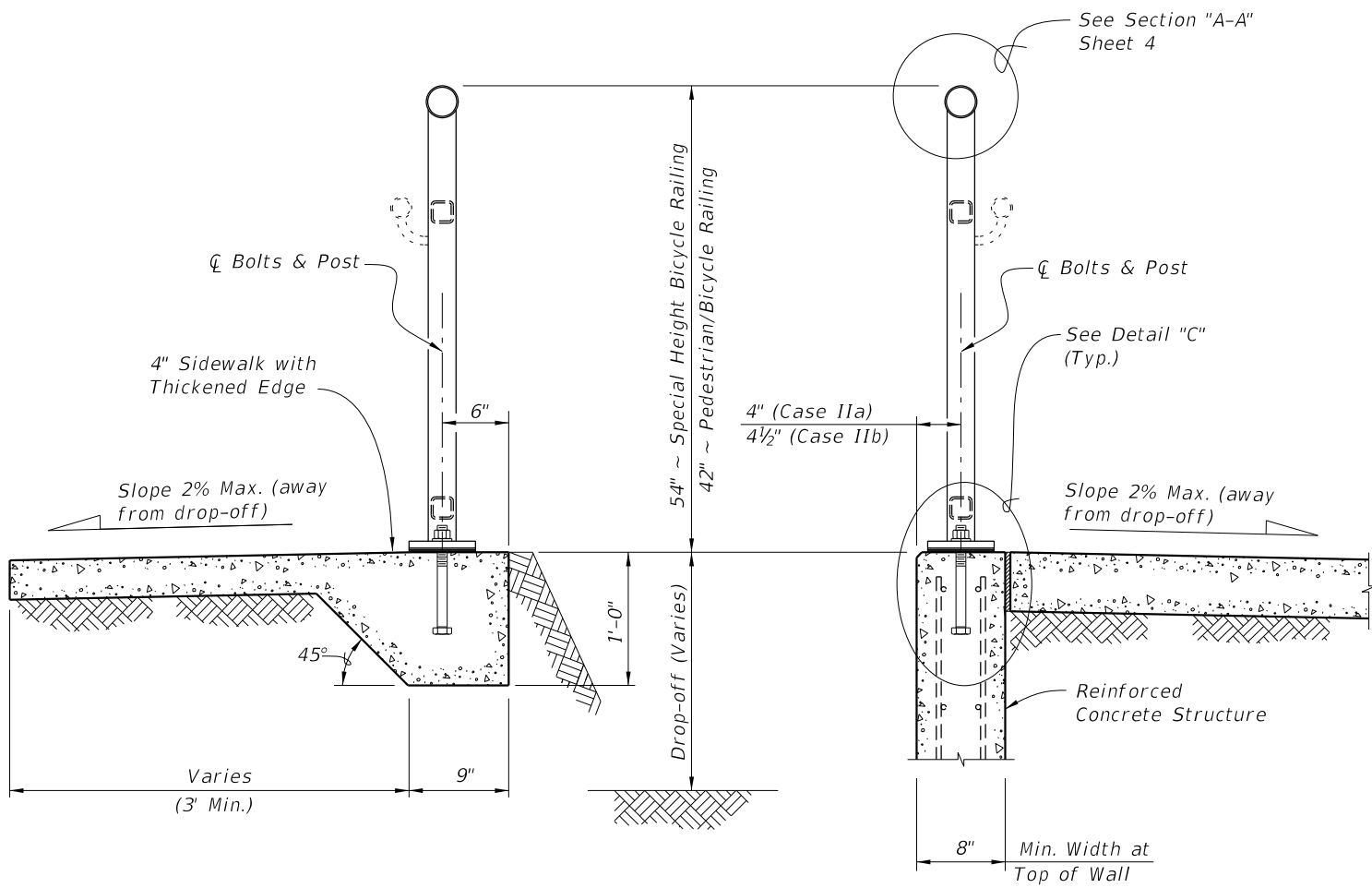
SECTION C-C PANEL/SPLICE CONNECTION

NOTES:

1. See Plans for Infill Panel Type required.

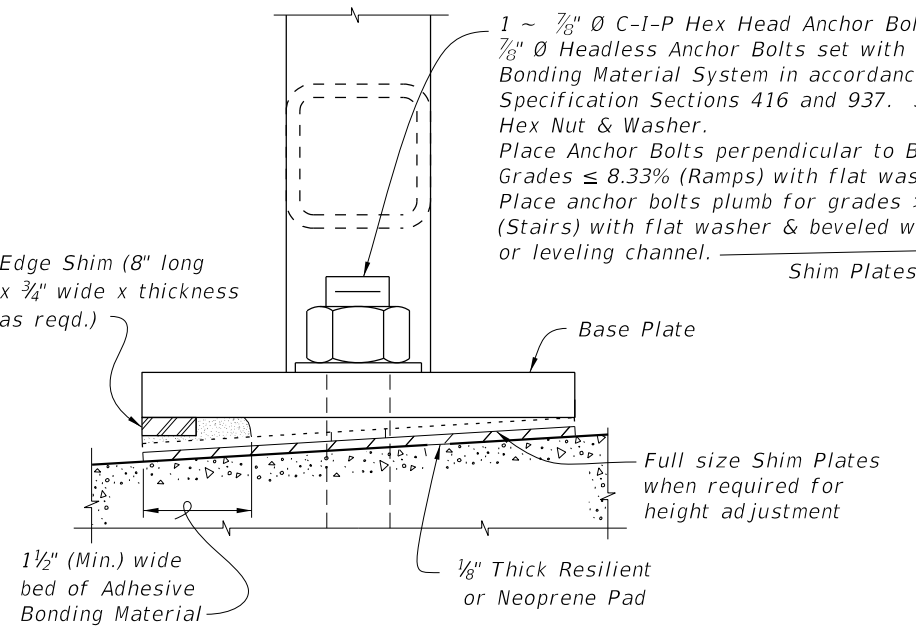
LAST REVISION	REVISION	DESCRIPTION:		FDOT DESIGN STANDARDS FY 2012/2013	STEEL PEDESTRIAN/BICYCLE RAILING	INDEX NO.	SHEET NO.
01/01/11						852	7

C:\projects\standards\structures\current\ready\4release\2012book_draft\00852-8of8.dgn
 rd960r/h
 9:44:40 AM
 12/30/2011

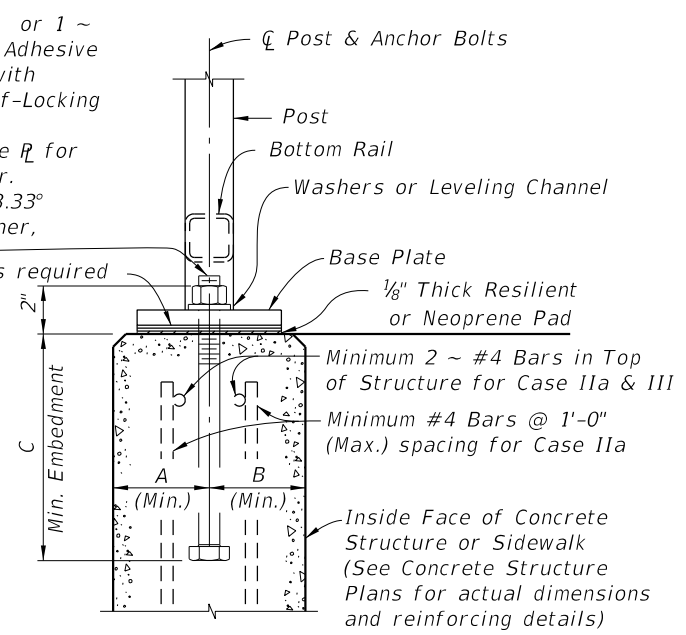


TYPICAL SECTION ON CONCRETE SIDEWALK (Case I)

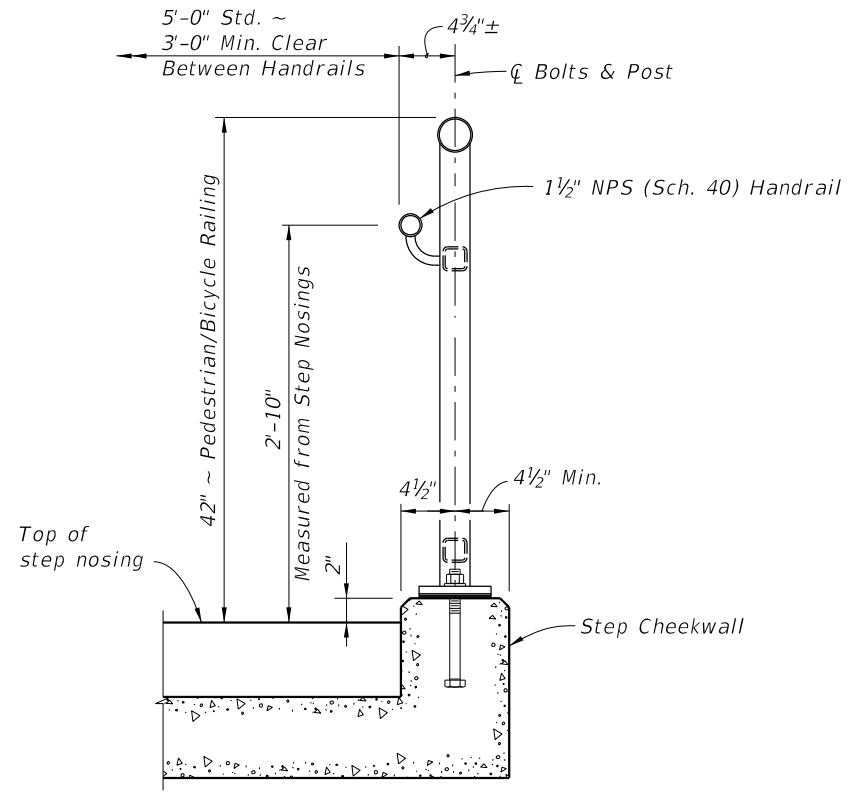
TYPICAL SECTION ON RETAINING WALL (Case II)



DETAIL "D" (OPTIONAL SHIMMING DETAIL FOR CROSS SLOPE CORRECTION) (Used in lieu of Beveled Shim Plates)



DETAIL "C" (Cast-In-Place Anchor Bolts shown, Adhesive Anchors similar)

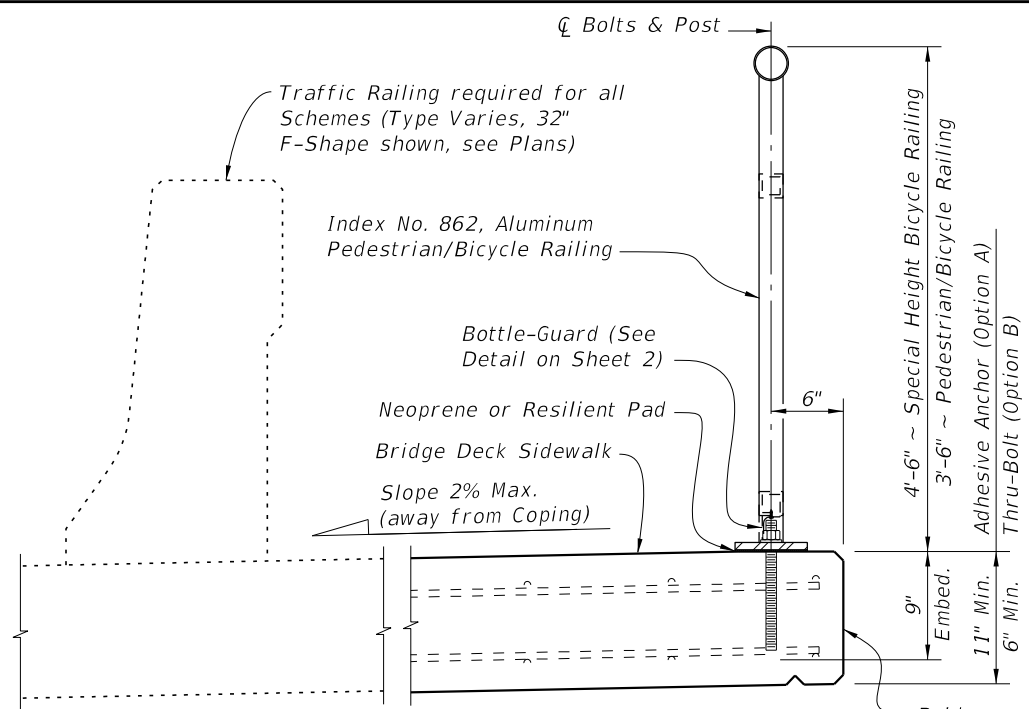


TYPICAL SECTION ON STEPS & STAIRS (Case III)

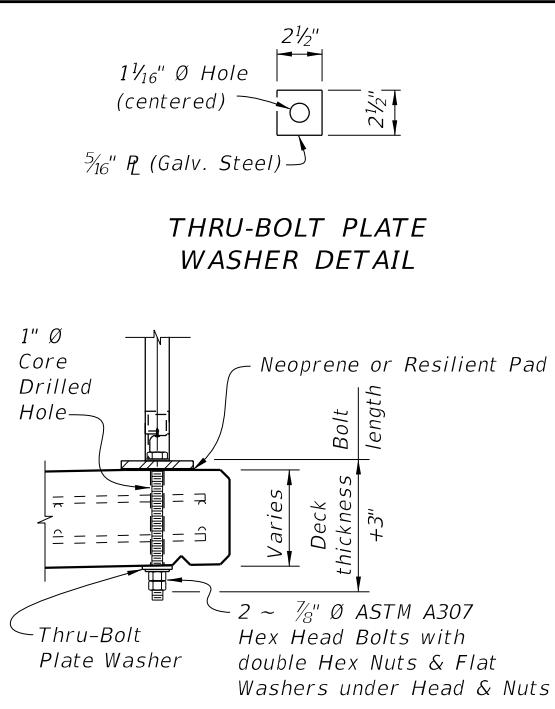
ANCHOR BOLT TABLE							
CASE	STRUCTURE TYPE	DIMENSIONS			ANCHOR LENGTH		ANCHOR SIZE
		A Edge Dist.	B Edge Dist.	C Embedment	C-I-P Hex Head Bolt	Adhesive Anchor	
I	Unreinforced Concrete	6"	1'-2"	9"	10 1/2"	11"	7/8" Ø
IIa	Reinforced Concrete	4"	4"	9"	10 1/2"	11"	7/8" Ø
IIb	Gravity Wall Index No. 6011	4 1/2"	3 1/2" @ top	1'-0" *	1'-1 1/2"	1'-2"	7/8" Ø
III	Step Cheekwall	4 1/2"	4 1/2"	9"	10 1/2"	11"	7/8" Ø

* Embedment length "C" may be reduced to 9" for the 42" height railings for Case IIb, when the post spacing does not exceed 5'-0".

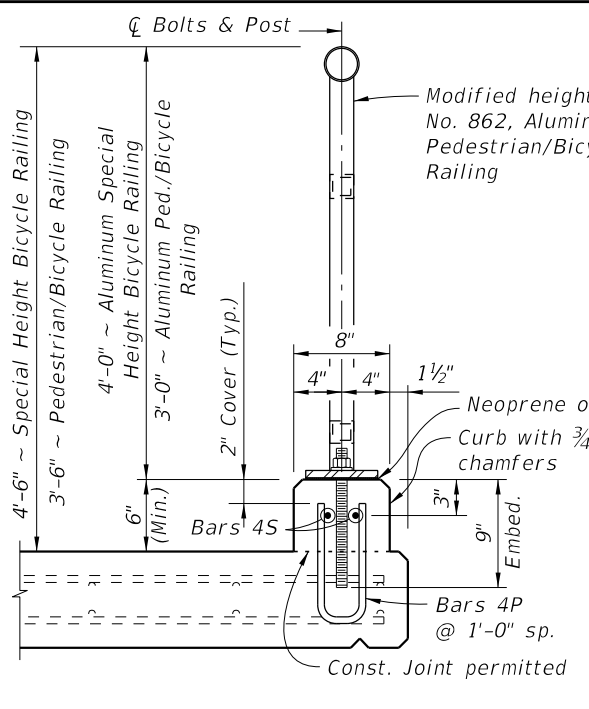
12/30/2011 9:44:41 AM rd960rh C:\projects\standards\structures\current\ready\4release\2012book_draft\00861-1of3.dgn



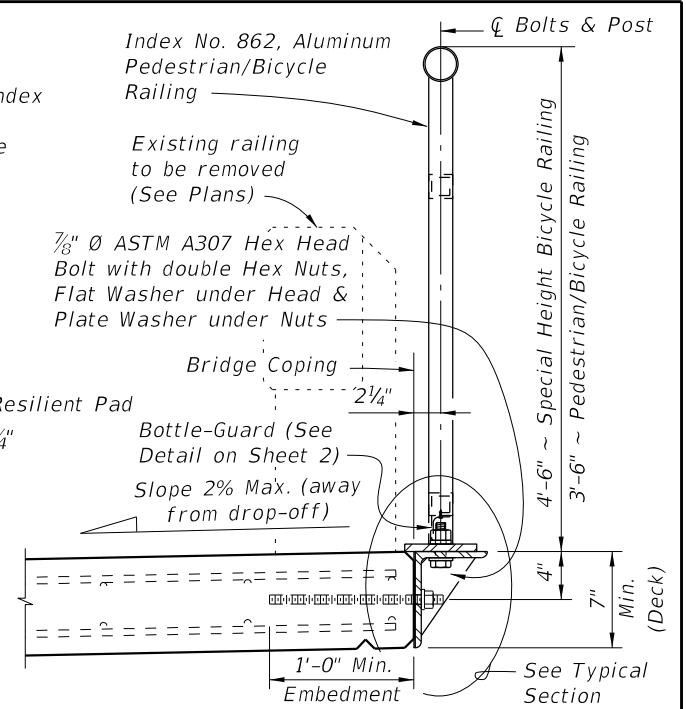
SCHEME 1 - TYPICAL SECTION THROUGH DECK MOUNTED RAILING (Adhesive Anchor Option shown - SCHEME 1A)



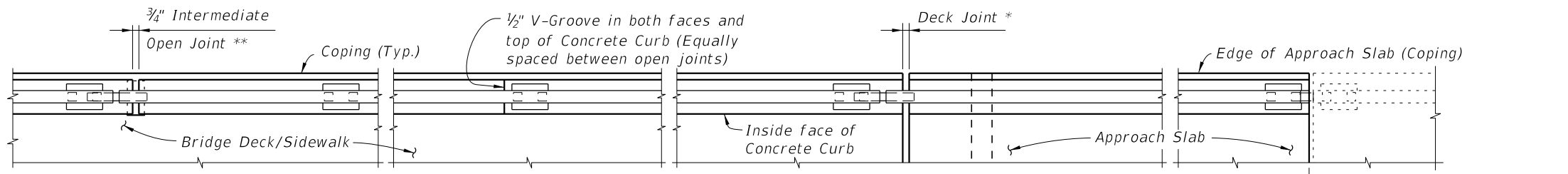
SCHEME 1B - DETAILS (Thru-Bolt Option)



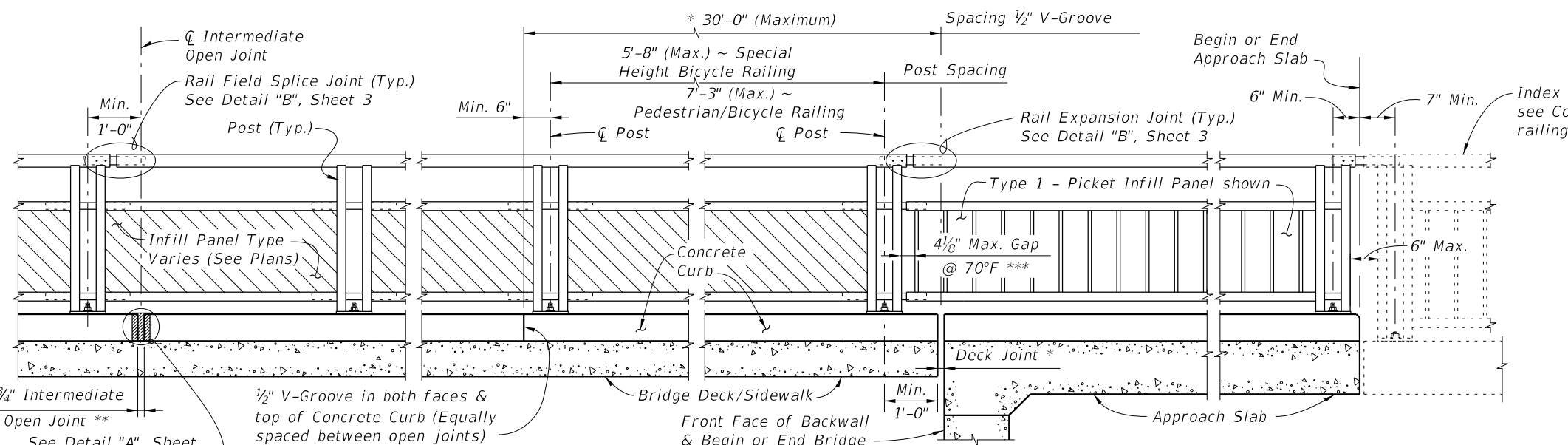
SCHEME 2 - TYPICAL SECTION THROUGH CURB MOUNTED RAILING



SCHEME 3 - TYPICAL SECTION THROUGH SIDE MOUNTED RAILING (RETROFIT)



PLAN (Scheme 2 shown, other Schemes similar, Reinforcing Steel not shown for clarity)



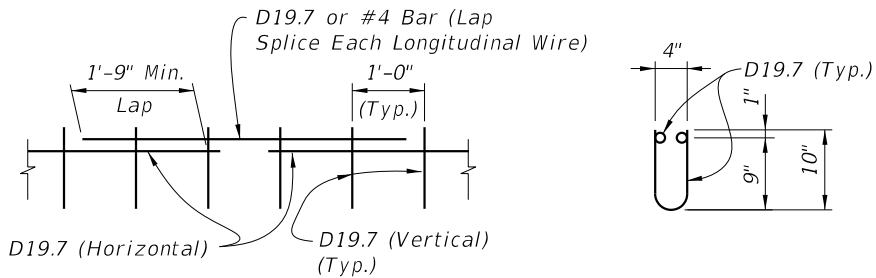
ELEVATION OF INSIDE FACE OF RAILING (Scheme 2 shown with Post 'A', other Schemes similar, Reinforcing Steel not shown for clarity)

* See Structures Plans, Superstructure Sheets for actual dimensions and joint orientation. Open Curb Joints at Deck Expansion Joint locations shall match the dimension of the Deck Joint. For treatment of Railings on skewed bridges see Index No. 420. Deck Joint at Begin Bridge or End Bridge shown. Deck Joint at ϕ Pier or Intermediate Bent similar.
 ** 3/4" Intermediate Open Joints shall be provided at locations coinciding with 3/4" Joints for the Traffic Railing.
 *** Clear opening between adjacent pickets or panel at Rail Expansion Joints, above Deck Expansion Joints with a total thermal movement greater than 4", must be reduced to 3 1/2".

LAST REVISION	REVISION	DESCRIPTION:		FDOT DESIGN STANDARDS FY 2012/2013	BRIDGE PEDESTRIAN/BICYCLE RAILING (ALUMINUM)	INDEX NO.	SHEET NO.
01/01/12						861	1

ALTERNATE REINFORCING (WELDED WIRE REINF.) DETAILS

NOTE: Place wire panels to minimize the end overhang. End Overhangs greater than 4 3/4" are not permitted.



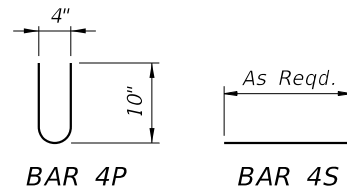
SPLICE DETAIL
(Between WWR Sections)

WELDED WIRE REINFORCEMENT (WWR)

CONVENTIONAL REINFORCING STEEL BENDING DIAGRAMS

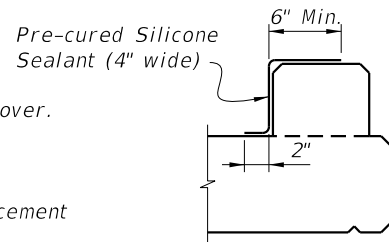
BILL OF REINFORCING STEEL

MARK	SIZE	LENGTH
P	4	2'-0"
S	4	As Reqd.



CURB REINFORCING STEEL NOTES:

- All bar dimensions in the bending diagrams are out to out.
- The reinforcement for the curb on a retaining wall shall be the same as detailed for an 8" deck.
- All reinforcing steel at the open joints shall have a 2" minimum cover.
- Bars 4S may be continuous or spliced at the construction joints. Bar splices for Bars 4S shall be a minimum of 1'-9".
- At the option of the Contractor Welded Wire Reinforcement (WWR) may be used in lieu of all Bars 4P and 4S. Welded Wire Reinforcement shall conform to ASTM A497.



DETAIL "A" - SECTION AT INTERMEDIATE OPEN JOINT

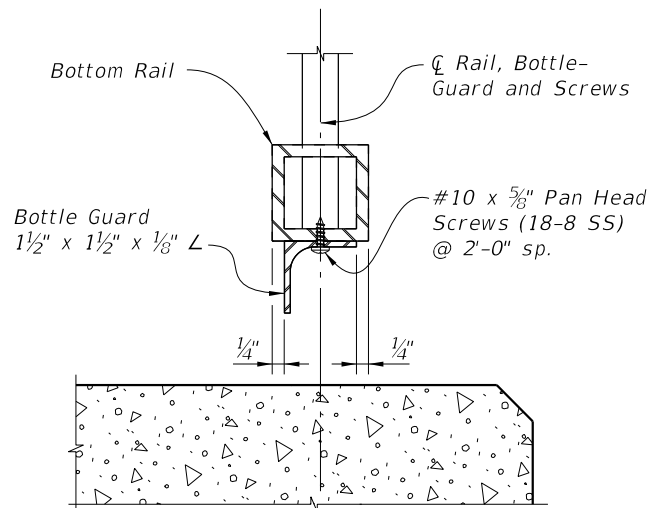
INTERMEDIATE JOINT SEAL NOTE:

At Intermediate Open Joints, seal the lower 6" portion of the open joint with Pre-cured Silicone Sealant in accordance with Specification Section 932. Apply sealant prior to any Class V finish coating and remove all curing compound and loose material from the surface prior to application of bonding agent.

ESTIMATED CONCRETE CURB QUANTITIES (SCHEME 2)

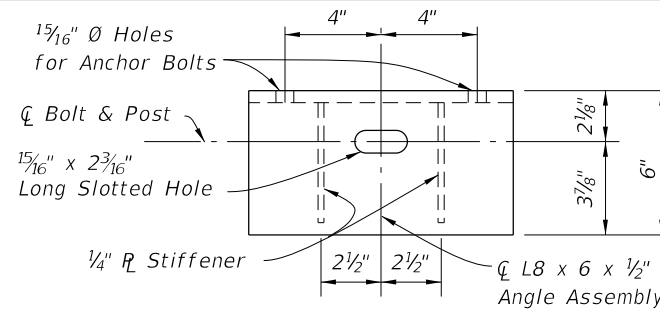
ITEM	UNIT	QUANTITY
Concrete	CY/LF	0.0124
Reinforcing Steel	LB/LF	4.01

SCHEME 2 - CONCRETE CURB DETAILS



TYPICAL SECTION THROUGH BOTTOM RAIL
(Post Not Shown for Clarity)

SCHEME 1 - BOTTLE GUARD DETAIL



PLAN VIEW

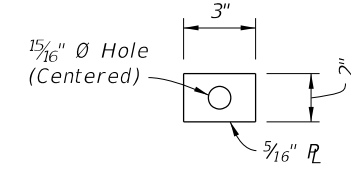
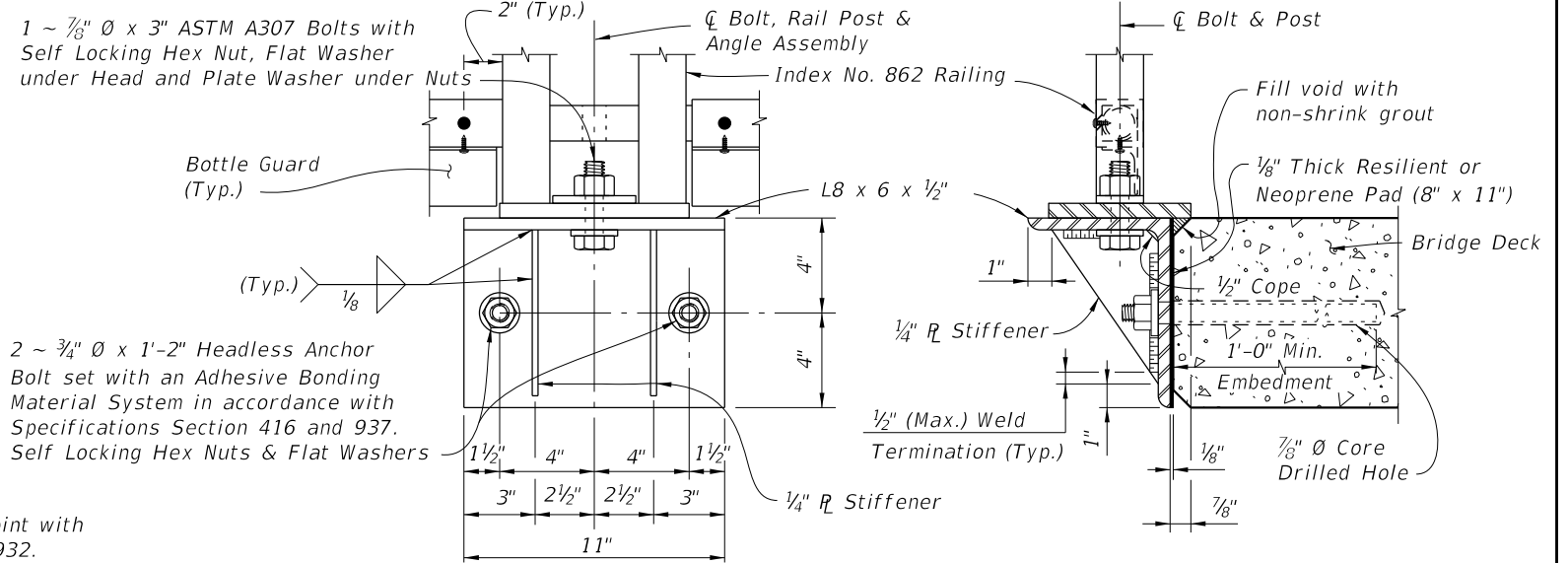


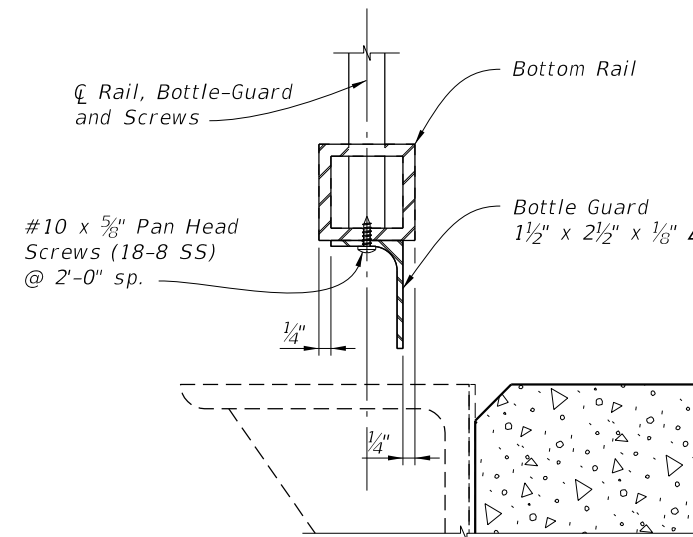
PLATE WASHER DETAIL



ELEVATION VIEW

TYPICAL SECTION

SCHEME 3 - SIDE-MOUNTED SUPPORT BRACKET DETAILS



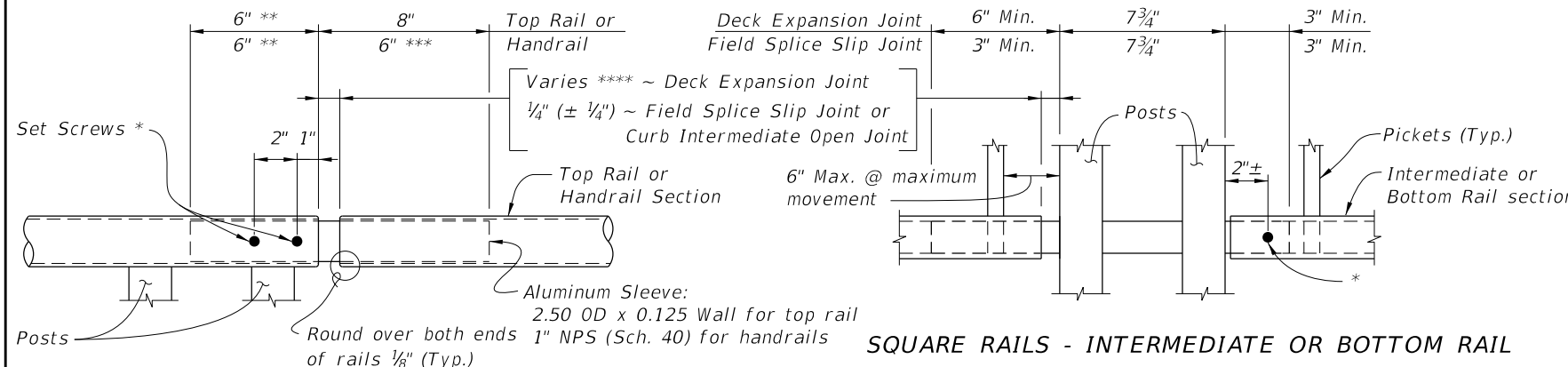
TYPICAL SECTION THROUGH BOTTOM RAIL
(Post Not Shown for Clarity)

SCHEME 3 - BOTTLE GUARD DETAIL

CROSS REFERENCE:
See Sheet 3 for Bridge Railing Notes.

C:\projects\standards\structures\current\read\4release\2012book_draft\00861-2of3.dgn 12/30/2011 9:44:42 AM rd960rh

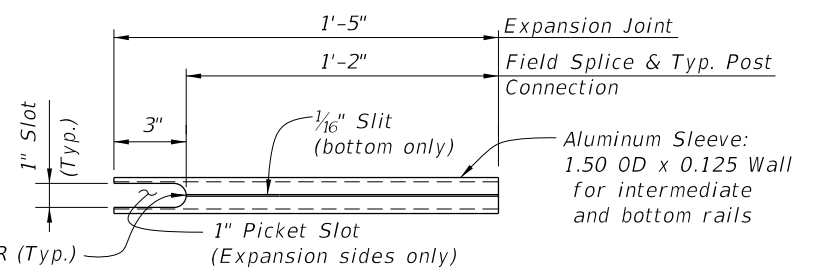
12/30/2011 9:44:43 AM rd9607h C:\projects\standards\structures\current\ready\release\2012book_draft\00861-3of3.dgn



ROUND RAILS - TOP RAIL OR HANDRAIL

- * $\frac{1}{4}$ " \emptyset x $\frac{3}{4}$ " Pan Head Aluminum (Alloy 7075-T73) or Stainless Steel (Type 316 or 18-8 Alloy) Set Screws along outside face of railing. Set screws must be set flush against the rail surface. A $\frac{3}{4}$ " \emptyset plug weld may be substituted for the two set screws at expansion joints.
- ** Embedded length may be 4" for plug welded connection.
- *** Increase handrail sleeve embedment to 8" for Expansion Joint openings greater than 2".
- **** Expansion Joint opening shall match the clear opening in the deck joint but not greater than 3".

SQUARE RAILS - INTERMEDIATE OR BOTTOM RAIL



INTERMEDIATE OR BOTTOM RAIL - ALUMINUM SLEEVE DETAIL (Bottom Side Shown)

DETAIL "B" EXPANSION JOINT (FIELD SPLICE SIMILAR)

BRIDGE RAILING NOTES:

- APPLICABILITY NOTE:** Railing is limited to use on bridges with an expansion joint thermal movements not exceeding 5". Scheme 3 is limited to bridge retrofit applications where additional sidewalk width is required.
- RAILING DETAILS:** For Railing fabrication and installation details and notes see Index No. 862, except that railing shall be fabricated and installed normal to the Profile Grade longitudinally and vertical transversely, unless otherwise shown in the Contract Plans.
- BOTTLE-GUARD (Schemes 1 & 3):** L-Shape shall be in accordance with ASTM B209, Alloy 6063-T5 or 6061-T6.
- CONCRETE CURB (Scheme 2):** Construct concrete curb vertical with the top surface finished level transversely. Concrete class shall be the same as the bridge deck.
- SIDE-MOUNTED SUPPORT BRACKET (Scheme 3):** L-Shape and Stiffener Plate shall be in accordance with ASTM B209, Alloy 6061-T6. Welding shall be in accordance with the American Society of Structural Welding Code (Aluminum) ANSI/AWS D1.2 (current edition). Filler metal shall be either ER4043, ER5183, ER5356 or ER5556. Nondestructive testing of welds is not required.
- PAYMENT:** Railing shall be paid per linear foot (Item No. 515-2-abb) for the aluminum railing and include the cost of support brackets (Scheme 3). Concrete and reinforcing steel quantities for the concrete curb (Scheme 2), will be included in the bridge deck plan quantity pay items. Payment will be plan quantity measured as the length along the center line of the top rail, and includes rails, posts, pickets, rail splice assembly, base plates, bottle-guards, anchor bolts, nuts, washers, resilient or neoprene pads and all incidental materials and labor required to complete installation of the railing.

LAST REVISION	01/01/11	DESCRIPTION:		FDOT DESIGN STANDARDS FY 2012/2013	BRIDGE PEDESTRIAN/BICYCLE RAILING (ALUMINUM)	INDEX NO.	861	SHEET NO.	3
---------------	----------	--------------	---	--	--	-----------	-----	-----------	---



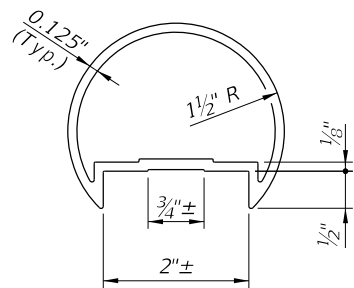
3D VIEW OF RAILING WITH TYPE 1 - PICKET INFILL PANEL
(42" Height shown, 54" Height Similar)

TABLE 1 - RAILING MEMBERS

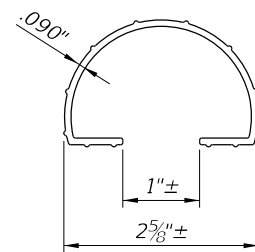
MEMBER	ALLOY ⁽¹⁾	DESIGNATION	OUTSIDE DIMENSION	WALL THICKNESS
Posts	6061-T6	RT 2x2x.250	2.00" x 2.00"	0.250"
Top Rail	6061-T6	2½" NPS (Sch. 10) 3" Round Top Cap Rail	2.875" 3.000"	0.120" 0.125"
End Hoops	6063-T5	2½" NPS (Sch. 10) 3.00 OD x 0.125 Wall	2.875" 3.000"	0.120" 0.125"
Top Rail Joint/Splice Sleeves	6063-T5	2.50 OD x 0.125 Wall Top Cap Rail Inner Sleeve	2.500" 2.800"	0.125" 0.090"
Intermediate & Bottom Rail	6061-T6	RT 2x2x.250	2.00" x 2.00"	0.250" ⁽²⁾
Int. & Bottom Rail Post Connection Sleeve	6063-T5	1.50 OD x 0.125 Wall	1.500"	0.125"
Handrail Joint/Splice Sleeves	6063-T5	1" NPS (Sch. 40)	1.315"	0.133"
Handrails	6061-T6	1½" NPS (Sch. 40)	1.900"	0.145"
Handrail Support Bar	6061-T6	¾" Ø Round Bar	0.750"	N/A
Pickets (Type 1 Infill Panel)	6061-T6	¾" Ø Round Bar	0.750"	N/A
Infill Panel Members (Types 2 - 5)	6063-T5	Varies (See Details)	Varies	Varies

TABLE 1 NOTES:

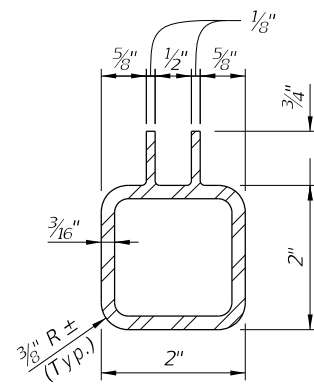
- (1) Alloy 6061-T6 or 6063-T52 & T6 may be substituted for Alloy 6063-T5.
- (2) 0.188" wall thickness permitted for rails with post spacings less than 5'-9".



3" ROUND TOP CAP RAIL



TOP CAP RAIL INNER
SPLICE SLEEVE



ALTERNATIVE BOTTOM &
INTERMEDIATE RAIL SECTION
FOR TYPE 3, 4 & 5 RAILINGS

ALTERNATE TOP RAIL SECTION

DESIGN LOADS, GEOMETRY AND APPLICABILITY:

See the Instructions for Design Standards for the design loads, geometry and applicability requirements.

GENERAL:

Adequate foundation support shall be provided for anchorage and stability against overturning. See Index No. 861 for special requirements and modifications for use on bridges. The railing shown on these drawings requires a handrail for ramps steeper than a 5% grade to conform with the requirements of the Americans with Disabilities Act (ADA).

RAILS, PANELS AND POSTS:

Structural Extrusions, Tube, Pipe and Bar shall be in accordance with Table 1 and ASTM B221 or ASTM B429. Top, bottom and intermediate rail corner bends with maximum 4'-0" post spacing, may be Alloy 6063-T6. Perforated panels (Type 5) shall be Alloy 3003-H14. Posts shall be fabricated and installed plumb, ± 1" tolerance when measured at 3'-6" above the foundation. Pickets and vertical panel elements shall be fabricated parallel to the posts, except that Type 2, 3 & 5 panel infills may be fabricated parallel to the longitudinal grade. Corners and changes in tangential longitudinal alignment shall be made continuous with a 9" bend radius or terminate at adjoining sections with mitered end sections when handrails are not required. For changes in tangential longitudinal alignment greater than 45°, posts shall be positioned at a maximum distance of 2'-0" each side of the corner and shall not be located at the corner apex. For curved longitudinal alignments the top and bottom rails and handrails shall be shop bent to match the alignment radius.

BASE PLATES AND RAIL CAPS:

Base Plates and Post Cap plates shall be in accordance with ASTM B209, Alloy 6061-T6.

SHIM PLATES:

Shim Plates shall be aluminum in accordance with ASTM B209, Alloy 6061 or 6063. Shim plates shall be used for foundation height adjustments greater than ¼" and localized irregularities greater than ⅛". Field trim shim plates when necessary to match the contours of the foundation. Beveled shim plates may be used in lieu of trimmed flat shim plates shown. Stacked shim plates must be bonded together with adhesive bonding material and limited to a maximum total thickness of ½", unless longer anchor bolts are provided for the exposed thread length.

ANCHOR BOLTS:

Anchor bolts shall be in accordance with ASTM F1554 Grade 36. Headless anchor bolts for Adhesive Anchors shall be threaded full length. Cutting of reinforcing steel is permitted for drilled hole installation. Expansion Anchors are not permitted. All anchor bolts shall have single self-locking hex nuts. Tack welding of the nut to the anchor bolt may be used in lieu of self-locking nuts. All nuts shall be in accordance with ASTM A563 or ASTM A194. Flat Washers shall be in accordance with ASTM F436 and Plate Washers (for long slotted holes only), shall be in accordance with ASTM A36 or ASTM A709 Grade 36. After the nuts have been snug tightened, the anchor bolt threads shall be distorted to prevent removal of the nuts. Distorted threads and tack welds shall be coated with a galvanizing compound in accordance with the Specifications.

RESILIENT AND NEOPRENE PADS:

Resilient and Neoprene pads shall be in accordance with Specification Section 932 except that testing of the finished pads shall not be required. Neoprene pads shall be durometer hardness 60 to 80.

JOINTS:

All welded joints are to be ground smooth. Expansion joints shall be spaced at a maximum 35'-0". Field splices similar to the expansion joint detail may be approved by the Engineer to facilitate handling, but top rail must be continuous across a minimum of two posts.

WELDING:

All welding shall be in accordance with the American Welding Society Structural Welding Code (Aluminum) ANSI/AWS D1.2 (current edition). Filler metal shall be either ER5183, ER5356 or ER5556. Nondestructive testing of welds is not required. Filler metal for plug welds and bend splices may be ER4043.

COATINGS:

The aluminum railing shall be mill finish unless otherwise noted in the Contract Documents. All nuts, bolts and washers shall be hot-dip galvanized in accordance with Specification Section 962.

SHOP DRAWINGS:

Complete details addressing project specific geometry (line & grade) showing post and expansion joint locations, post and panel type, anchor bolt installation "Case" or lengths, must be submitted by the Contractor for the Engineer's approval prior to fabrication of the railing. Shop drawings shall be in accordance with the Specifications.

PAYMENT:

Railing shall be paid for per linear foot (Item No. 515-2-abb). Payment will be plan quantity measured as the length along the center line of the top rail, and includes rails, posts, pickets, panels, rail splice assembly, base plates, anchor bolts, nuts, washers, resilient or neoprene pads and all incidental materials and labor required to complete installation of the railing.

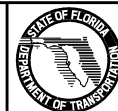
C:\projects\standards\structures\current\ready\4\release_2012\book_draft\00862-1of8.dgn

rd960rh

11:46:33 AM

12/30/2011

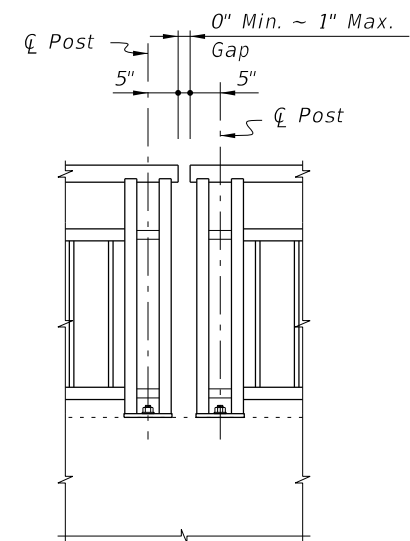
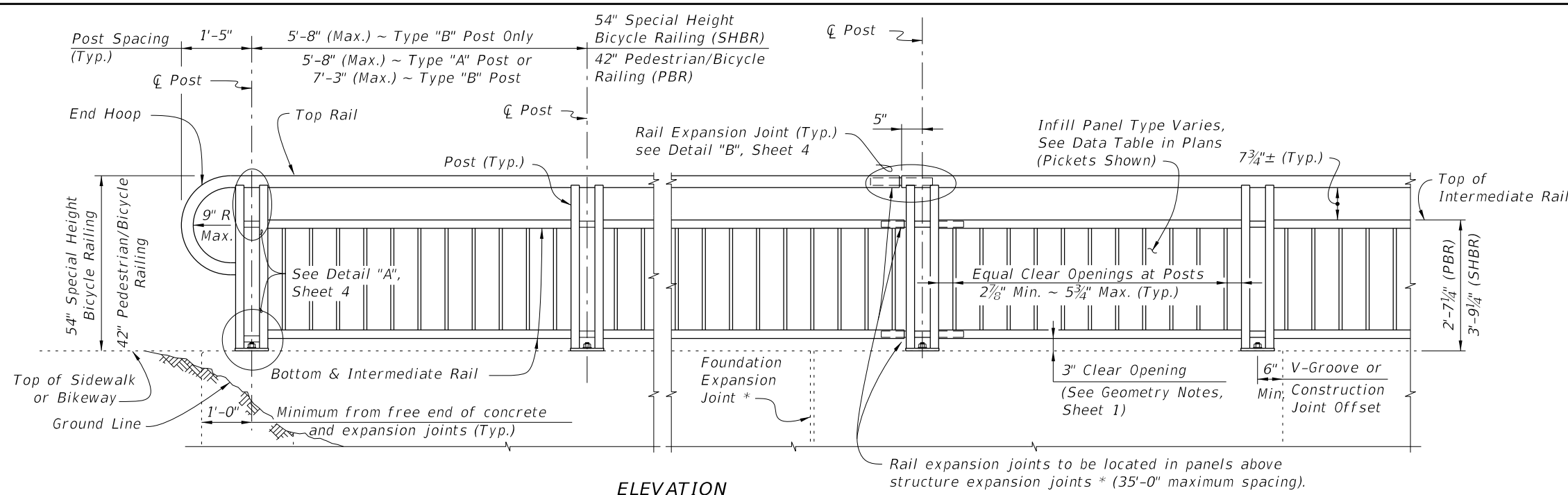
LAST REVISION	DESCRIPTION:
01/01/12	



FDOT DESIGN STANDARDS
FY 2012/2013

ALUMINUM PEDESTRIAN/BICYCLE RAILING

INDEX NO.	SHEET NO.
862	1



Note: Non-continuous corners are permitted when handrails are not required.

ELEVATION
(Showing Outside Face of Railing with Type "A" Posts)

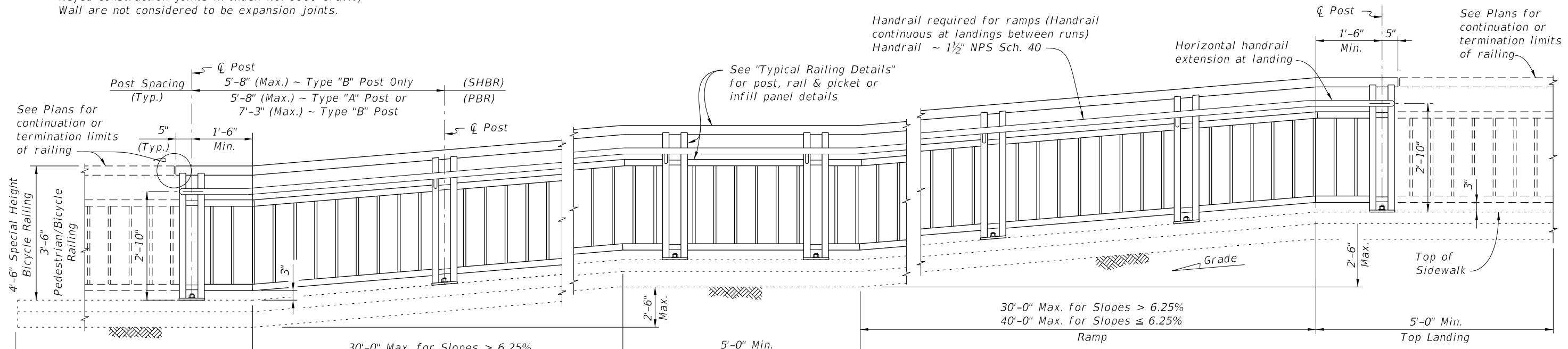
EXPANDED ELEVATION AT CORNERS

TYPICAL RAILING DETAILS & RAILINGS ON GRADES 0% TO 5%
(Type 1 - Picket Railing Shown, Other Types Similar)

DETAIL FOR NON-CONTINUOUS RAILING AT CORNERS

NOTES:
* Keyed construction joints in Index No. 6011 Gravity Wall are not considered to be expansion joints.

C:\projects\standards\structures\current\ready\4release_2012\book_draft\00862-2of8.dgn
r0960rh
9:44:44 AM
12/30/2011

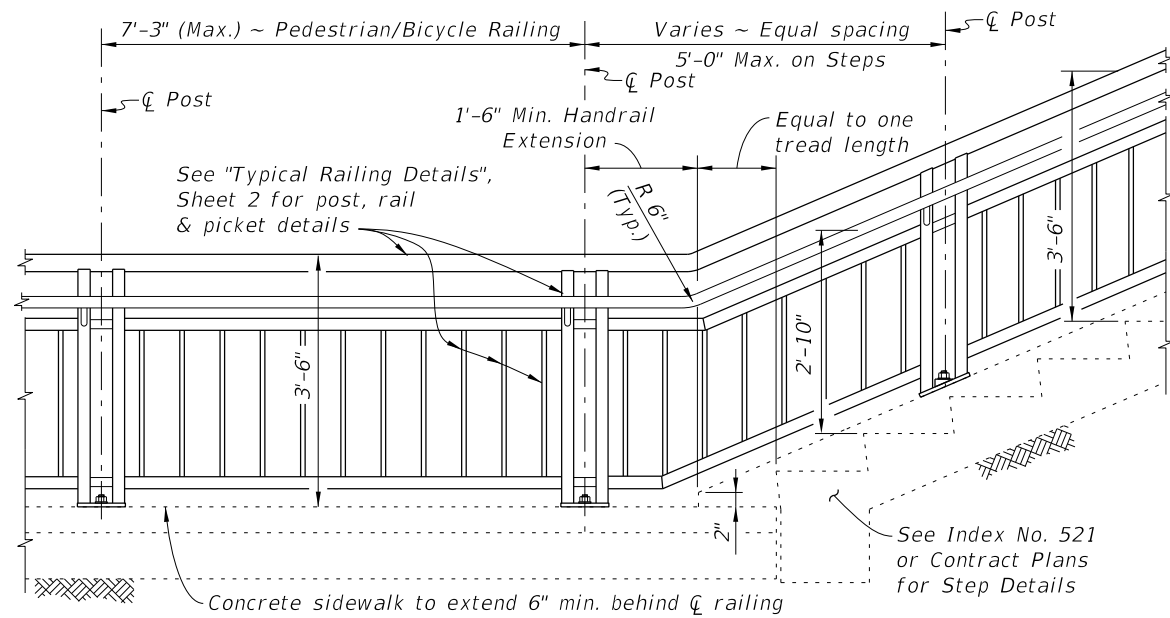


RAMP REQUIREMENTS	LANDING REQUIREMENTS
For slopes greater than 5%: Max. ramp slope = 8.33% Max. ramp cross-slope = 2.0%	Max. landing slope = 2% Max. landing cross-slope = 2%

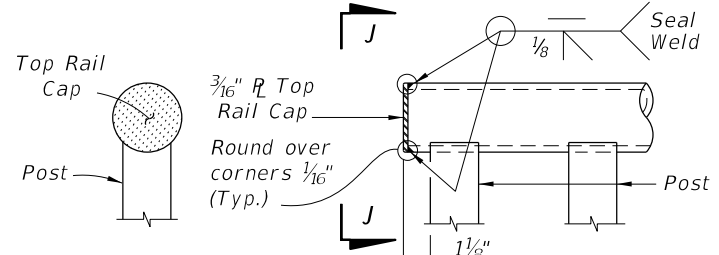
ELEVATION
(Showing Inside Face of Railing with Type "A" Posts)

RAILINGS ON GRADES STEEPER THAN 5%
(Type 1 - Picket Railing Shown, Other Types Similar)

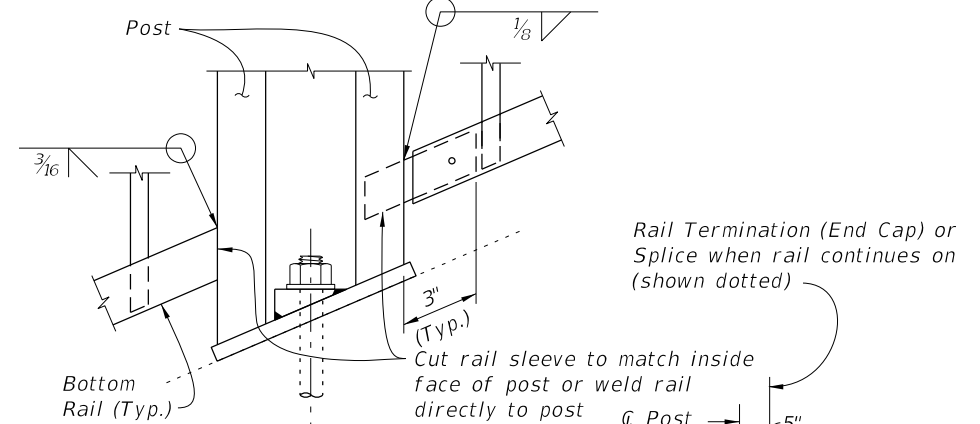
LAST REVISION 01/01/11	DESCRIPTION:	 FDOT DESIGN STANDARDS FY 2012/2013	ALUMINUM PEDESTRIAN/BICYCLE RAILING	INDEX NO. 862	SHEET NO. 2
REVISION					



RAILING CONTINUATION BEYOND STEPS OR STAIRS
(Bottom shown, Top similar)

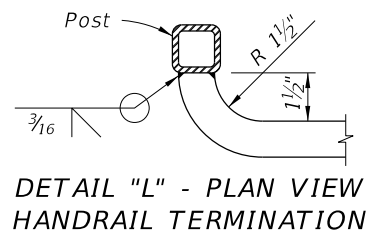


VIEW J-J DETAIL "J" - ELEVATION VIEW TOP RAIL TERMINATION

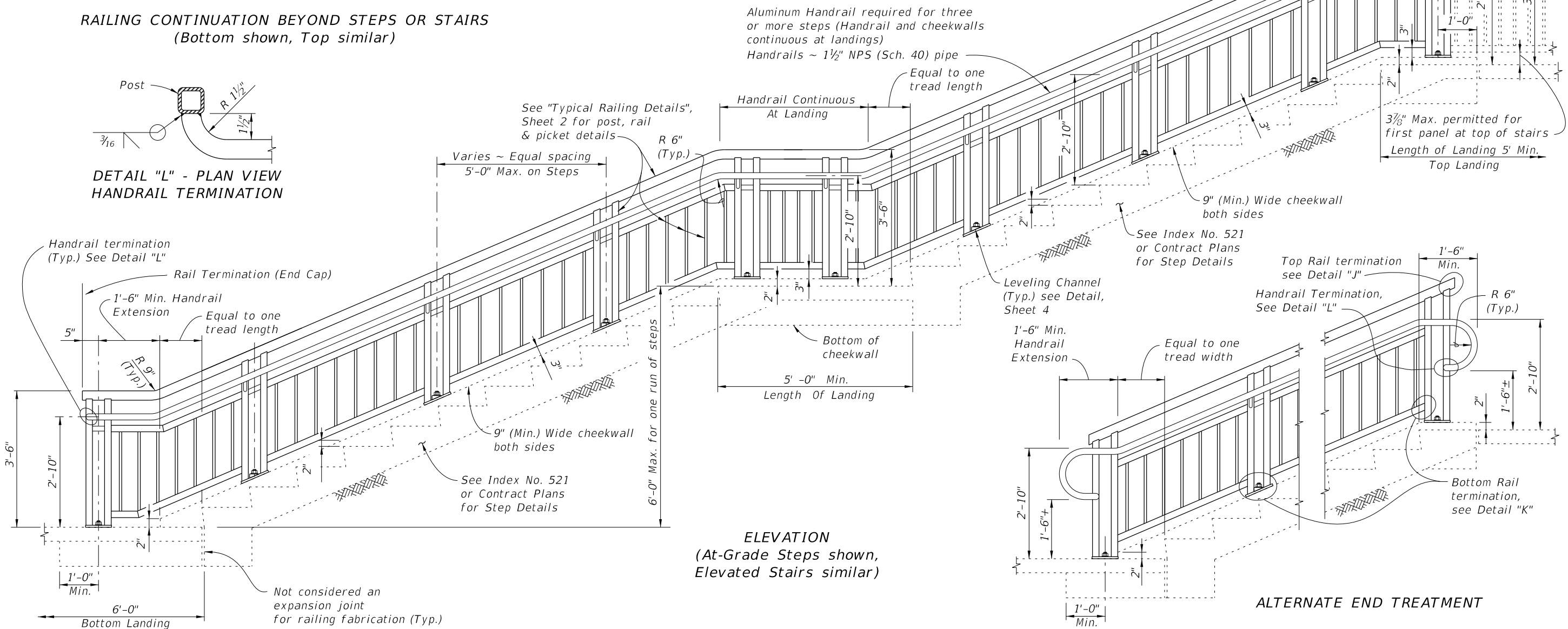


DETAIL "K" - ELEVATION VIEW BOTTOM RAIL CONNECTION

RAIL TERMINATION DETAILS



DETAIL "L" - PLAN VIEW HANDRAIL TERMINATION




ELEVATION
(At-Grade Steps shown, Elevated Stairs similar)

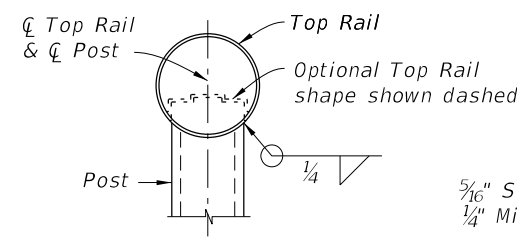
ALTERNATE END TREATMENT

RAILINGS ON STEPS & STAIRS

12/30/2011 9:44:45 AM rd960rh C:\projects\standards\structures\current\release\2012book_draft\00862-3of8.dgn

LAST REVISION	REVISION	DESCRIPTION:	 FDOT DESIGN STANDARDS FY 2012/2013	ALUMINUM PEDESTRIAN/BICYCLE RAILING	INDEX NO.	SHEET NO.
01/01/12					862	3

C:\projects\standards\structures\current\ready\4release_2012\book_draft\00862-4of8.dgn
 rd960rh
 9:44:46 AM
 12/30/2011



SECTION A-A
(Top Rail Connection)

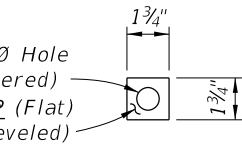
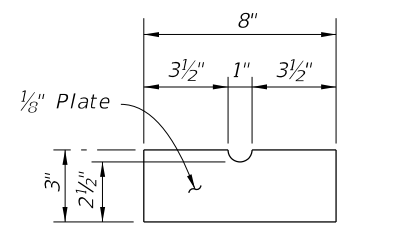
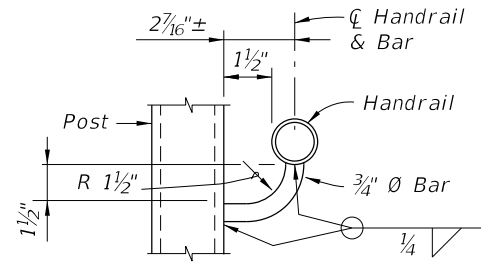


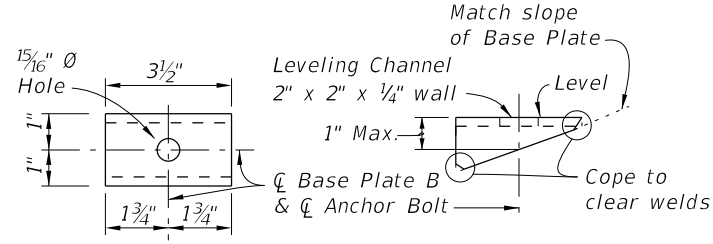
PLATE WASHER DETAIL



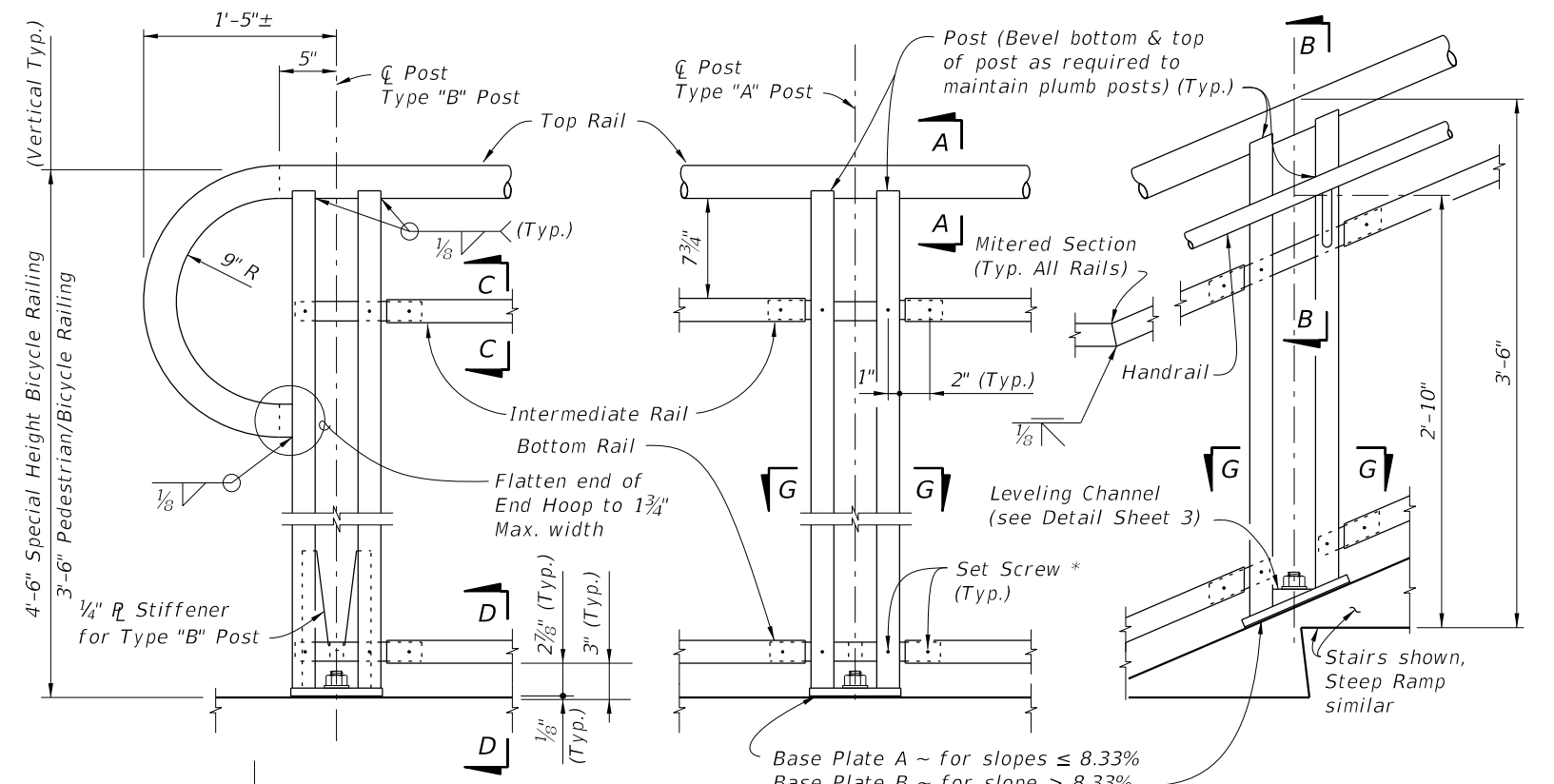
SHIM PLATE DETAIL



SECTION B-B
(Handrail Connection)

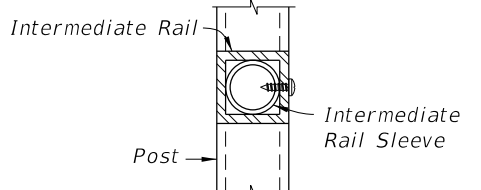


TOP VIEW
SIDE VIEW
LEVELING CHANNEL DETAIL

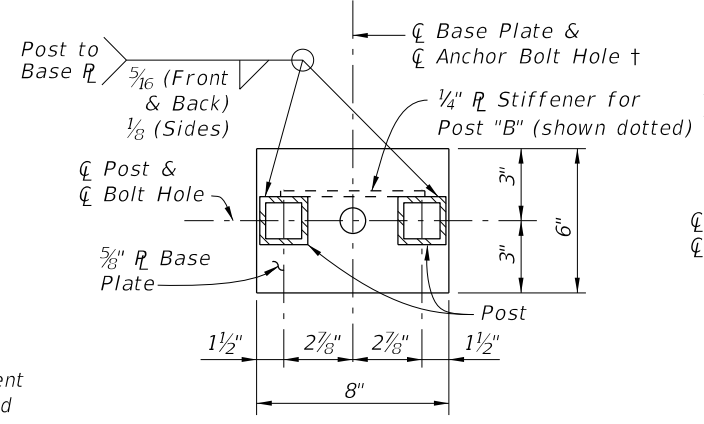


DETAIL "A" - RAIL CONNECTIONS
(Pickets/Panels Not Shown for Clarity)

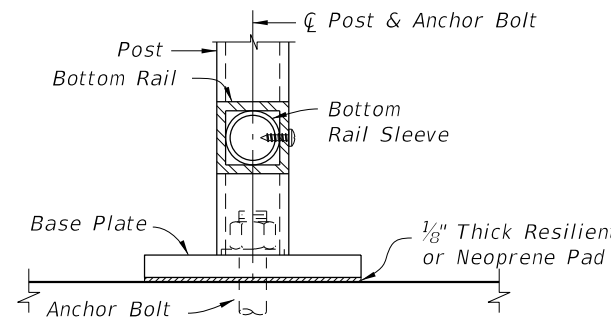
- NOTES:**
- † Base Plate A (Ramps - Bolts normal) use 1 1/16" Ø Holes for Anchor Bolts with Flat Washers for slopes ≤ 8.33%.
 - ‡ Base Plate B (Stairs - Bolts plumb) use 1 1/4" Ø Holes for Anchor Bolts with Beveled Plate and Washers for slopes > 8.33% to ≤ 15%; use 15/16" x 1 1/2" Slotted Holes with Leveling Channel for slopes > 15%.
 - * 1/4" Ø x 3/4" Pan Head Aluminum (Alloy 2024-T4 or 7075-T73) or Stainless Steel (Type 316 or 18-8 Alloy) Set Screws. Screws must be set flush against the outside face of rails & posts and underside of handrails. A single 3/4" Ø plug weld may be substituted for the Set Screws.
 - ** Embedded length may be 4" for plug welded connection.



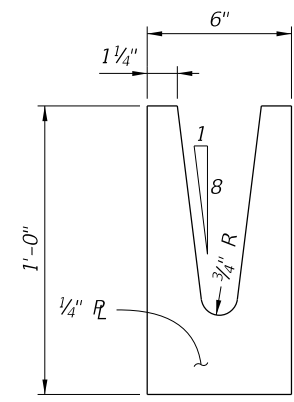
SECTION C-C
(Intermediate Rail Connection)



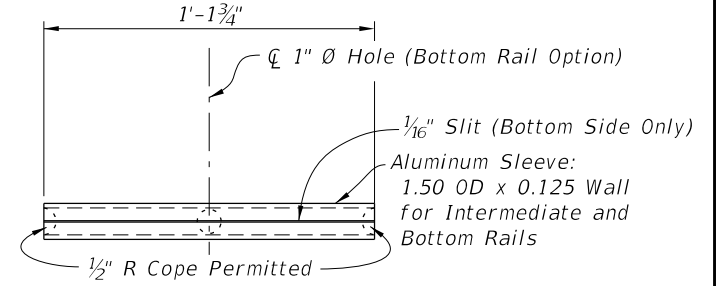
BASE PLATE A
BASE PLATE B
SECTION G-G - BASE PLATE DETAILS



SECTION D-D
(Bottom Rail Connection)

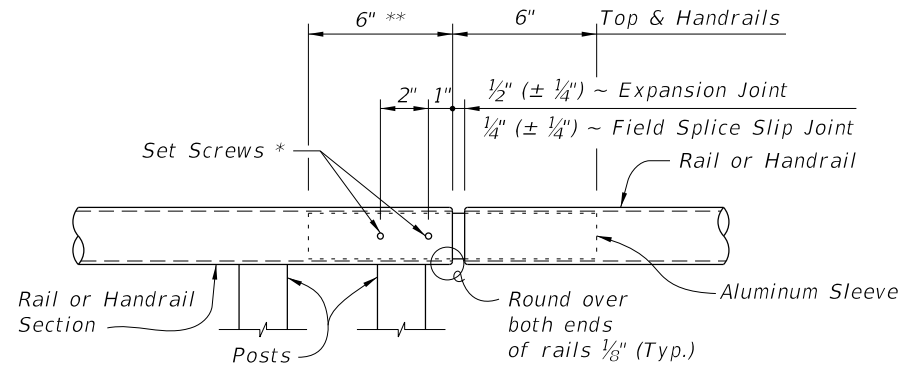


POST "B" STIFFENER DETAIL

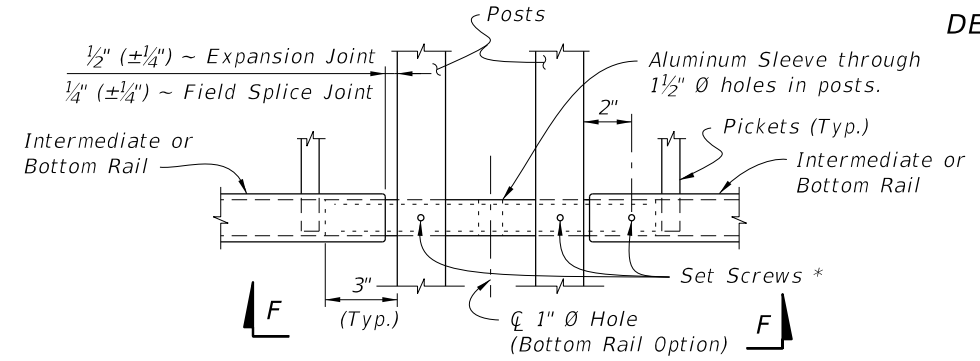


VIEW F-F
INTERMEDIATE OR BOTTOM RAIL - ALUMINUM SLEEVE DETAIL (Bottom Side Shown)

CROSS REFERENCE:
For location of Details "B", See Sheet 2.



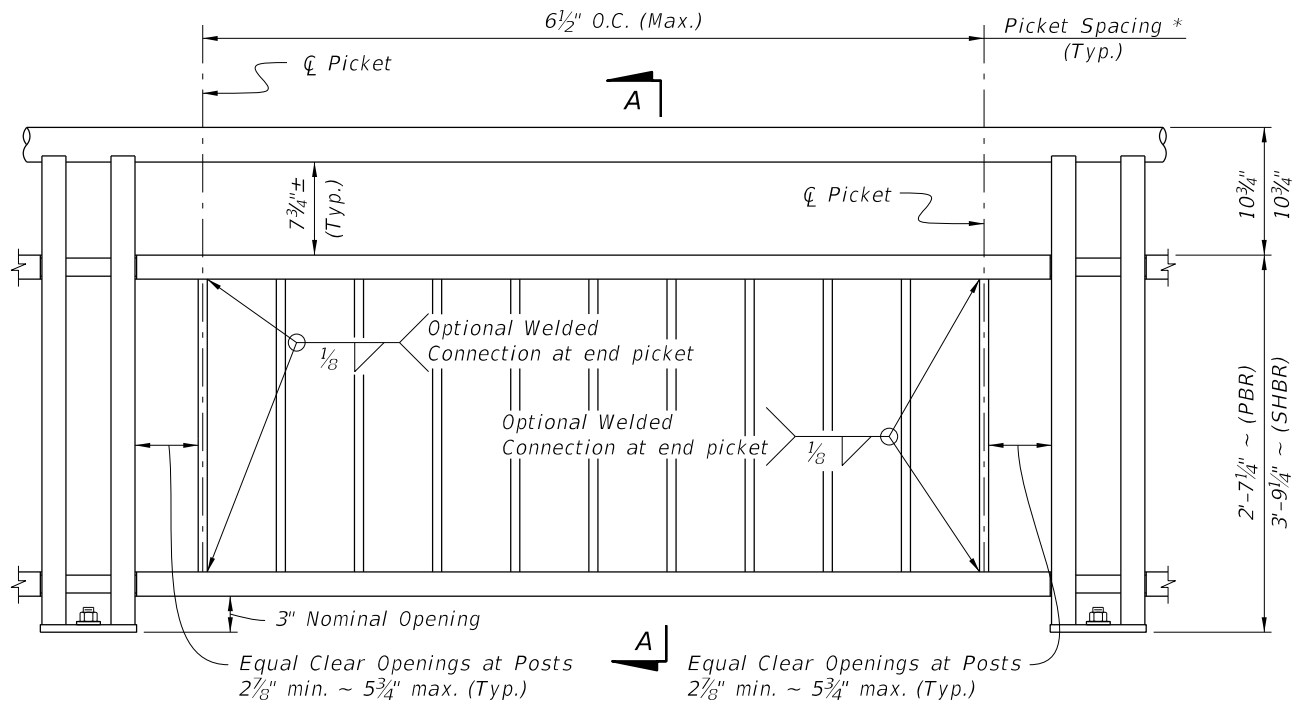
ROUND RAILS - TOP RAIL OR HANDRAIL
(Top Rail at Expansion Joint Shown)



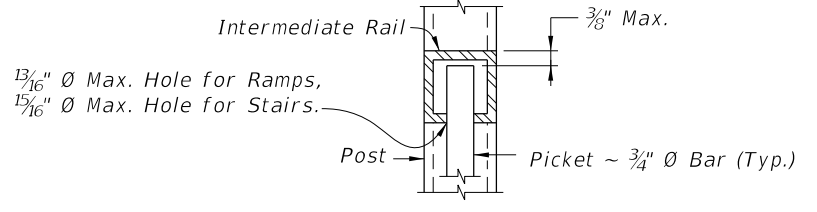
SQUARE RAILS - INTERMEDIATE OR BOTTOM RAIL
(Bottom Rail Shown at Expansion Joint Shown)

DETAIL "B" - EXPANSION JOINT (FIELD SPLICE SLIP JOINT SIMILAR)

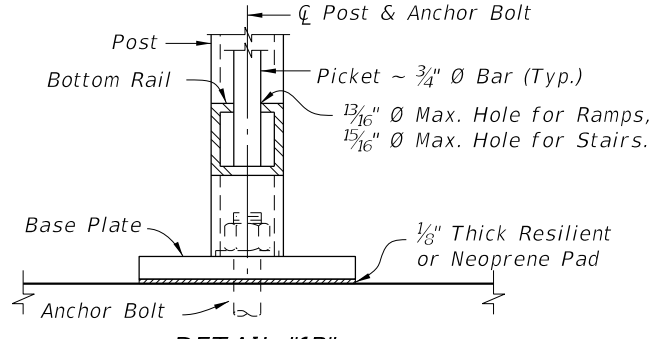
LAST REVISION 01/01/11	DESCRIPTION:	FDOT DESIGN STANDARDS FY 2012/2013	ALUMINUM PEDESTRIAN/BICYCLE RAILING	INDEX NO. 862	SHEET NO. 4
----------------------------------	---------------------	--	--	-------------------------	-----------------------



SECTION A-A



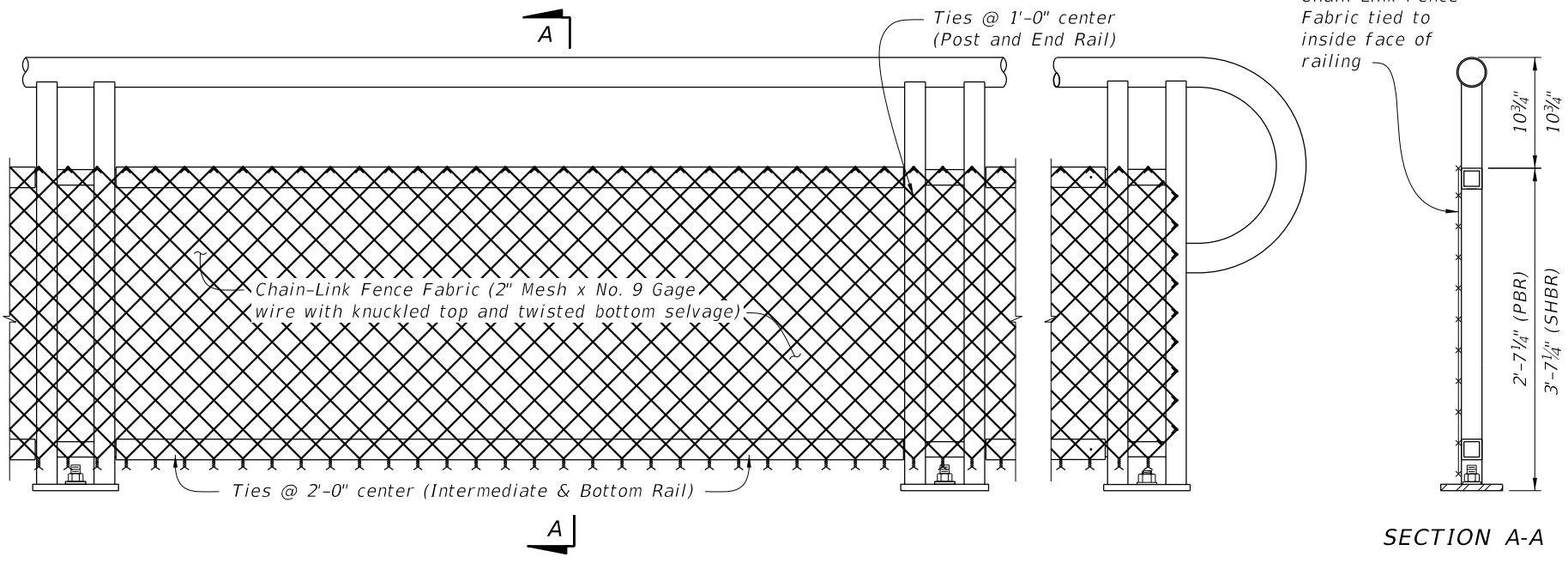
DETAIL "1A"
(Top of Picket Connection)



DETAIL "1B"
(Bottom of Picket Connection)

TYPE 1 - PICKET INFILL PANEL

PICKET NOTES:
 * Picket Spacing of 6 1/2" centers is based on a 3/4" NPS for standard applications. When shown in the Contract Plans a 4 1/2" picket spacing may be required. If an alternate design is used, maintain a maximum clear opening of 5 3/8" for standard installations and 3 7/8" for special conditions.



SECTION A-A

TYPE 2 - CHAIN-LINK (Continuous Infill Panel)

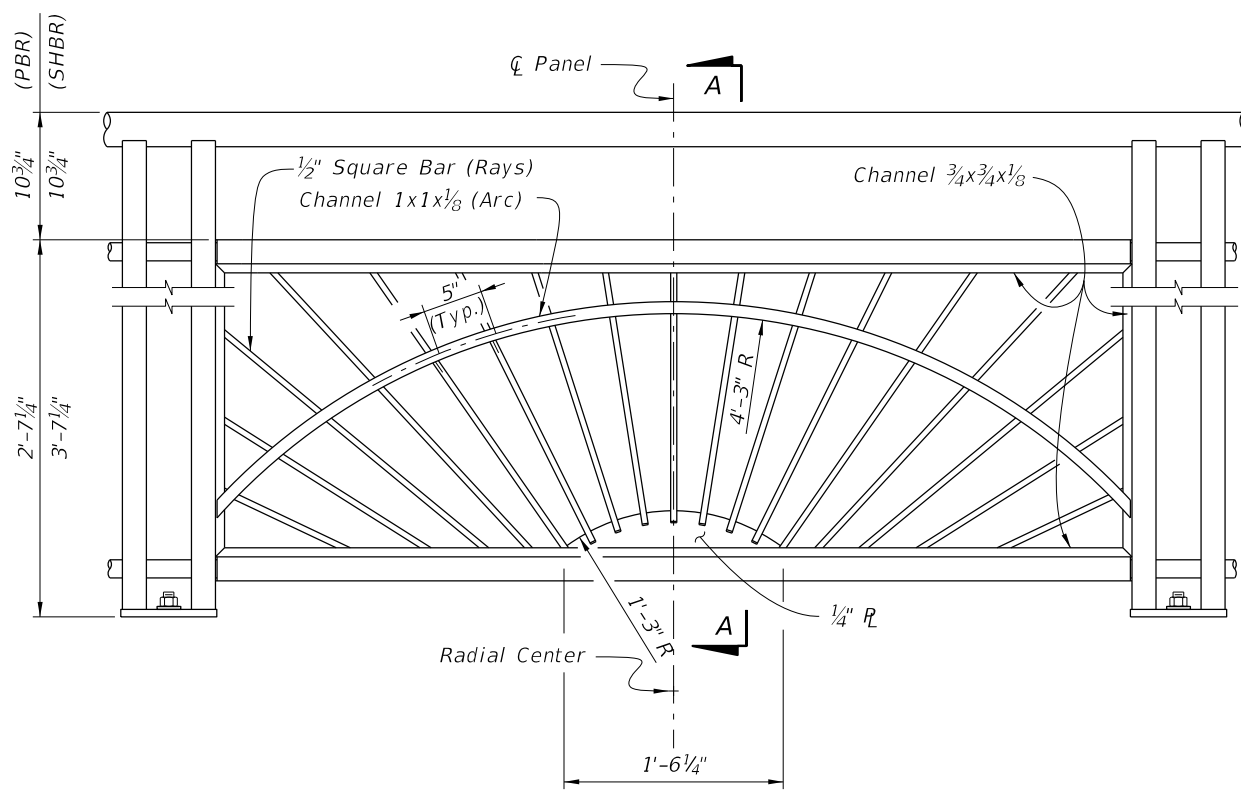
NOTES:
 1. See Plans for Infill Panel option required.

TABLE 2 - CHAIN-LINK PANEL COMPONENT MATERIALS		
COMPONENT	ASTM	COMPONENT INFORMATION
Chain-Link Fence Fabric (2" mesh with twisted bottom and knuckled top selvage)	A 392	Zinc-Coated Steel - No. 9 gage (coated wire diameter), Class 2 Coating
	A 491	Aluminum-Coated Steel - No. 9 gage (coated wire diameter)
	F 668	Polyvinyl Chloride (PVC) Coated Steel - No. 9 gage Zinc-Coated Wire (metallic-coated core wire diameter) ~ See Plans for specified color of PVC.
Tie Wires	F 626	Zinc-Coated Steel Wire - No. 9 gage with coating to match Chain-Link Fence Fabric.
Tension Bars	F 626	3/16" (min. thickness) x 3/4" (min. width) x 2'-3' (min. height) Steel Bars
Miscellaneous Fence Components	F 626	Zinc-Coated Steel

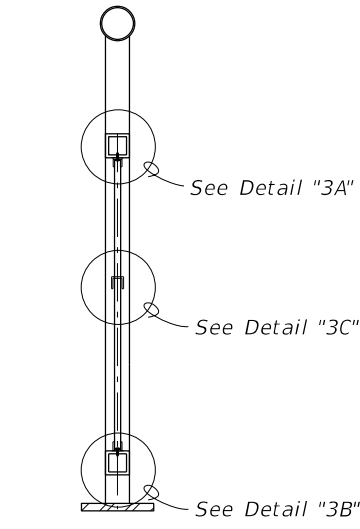
CHAIN-LINK PANEL NOTE:
 Chain-Link Fence Fabric shall be continuous along limits of railing. Splicing of Chain-Link panels using Tension Bars at 20'-0" minimum increments is permitted.

C:\projects\standards\structures\current\read\4release\2012book_draft\00862-5of8.dgn
 rd960rh
 9:44:47 AM
 12/30/2011

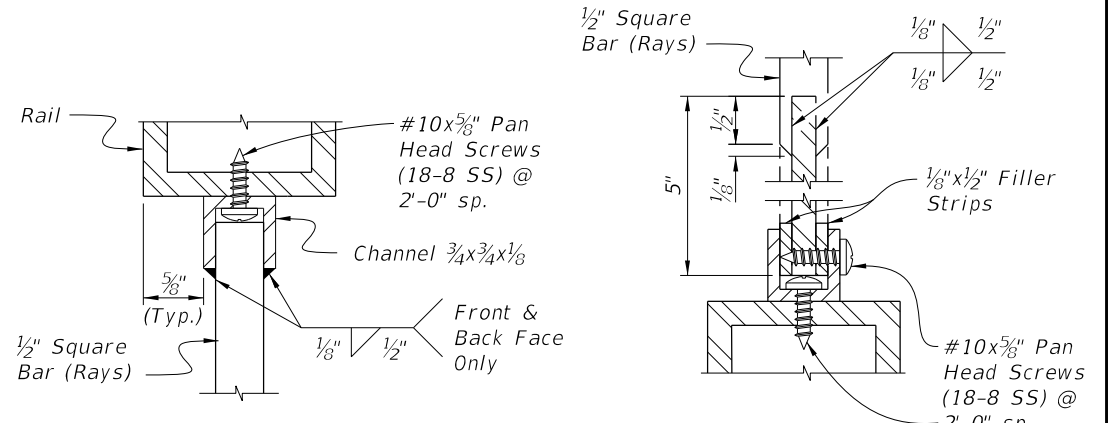
C:\projects\standards\structures\current\ready\4release_2012\book_draft\00862-6of8.dgn
 9:44:47 AM
 rd960r/h
 12/30/2011



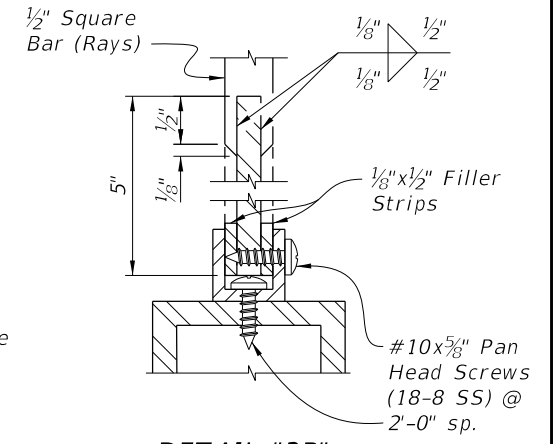
TYPE 3 - SUNSHINE INFILL PANEL



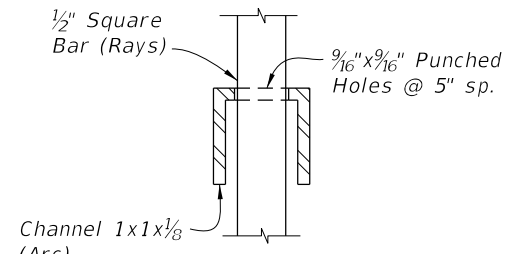
SECTION A-A



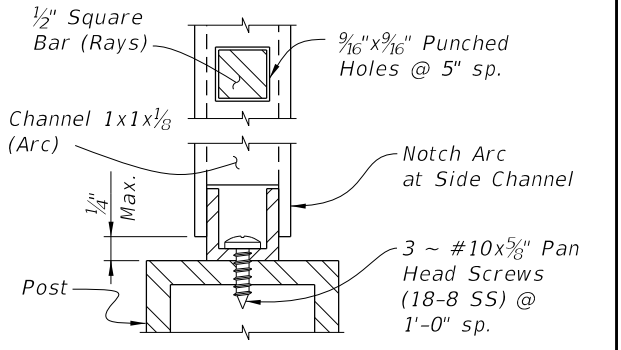
**DETAIL "3A"
INTERMEDIATE RAIL/RAY
CONNECTION**



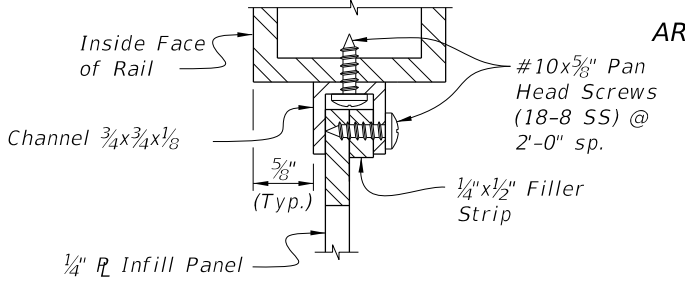
**DETAIL "3B"
BOTTOM RAIL/RAY CONNECTION**



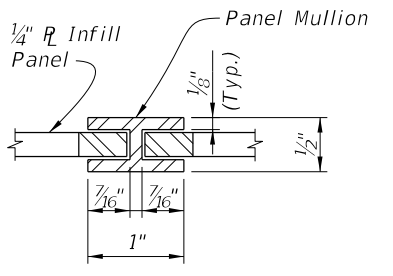
**DETAIL "3C"
RAY/ARC CONNECTION**



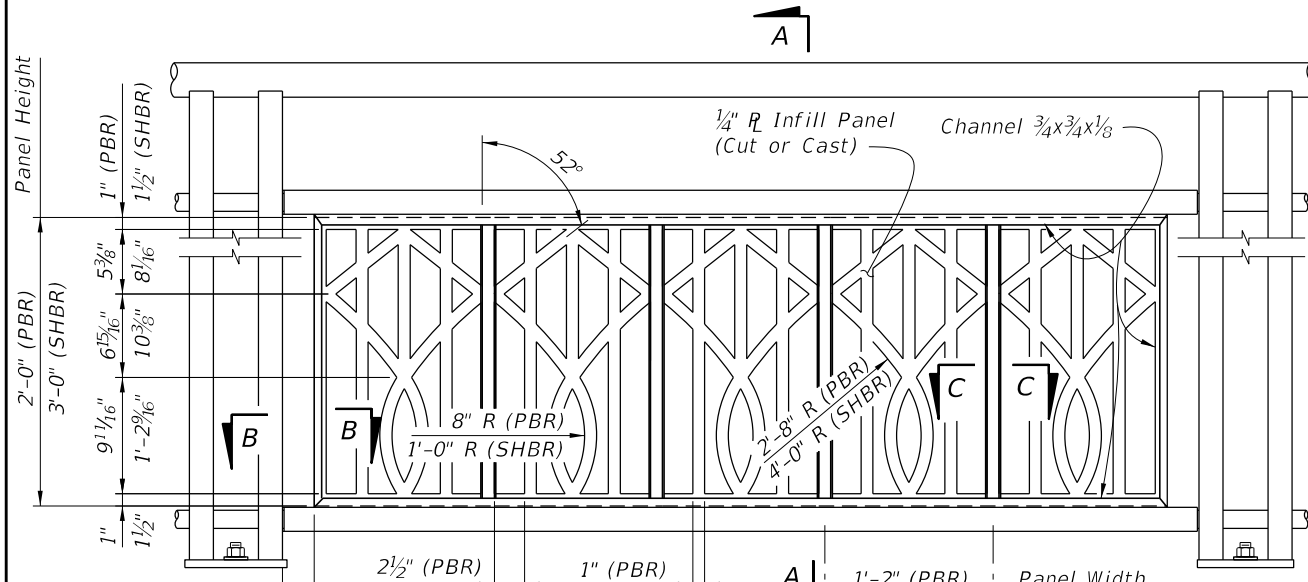
**DETAIL "3D"
ARC/POST CONNECTION**



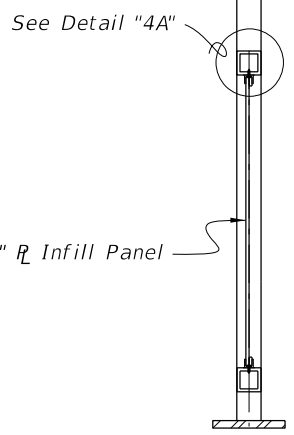
**DETAIL "4A"
PANEL/RAIL CONNECTION
(Top Shown, Bottom Similar)**



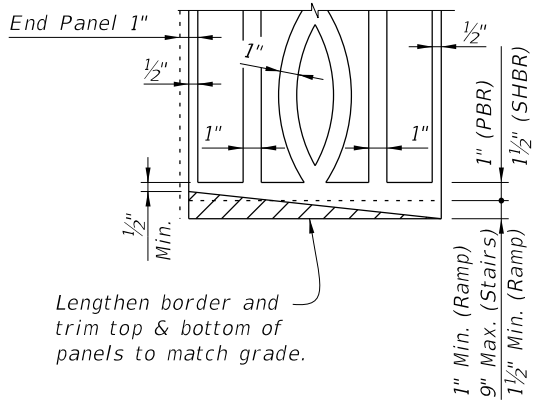
**SECTION C-C
PANEL/SPLICE CONNECTION**



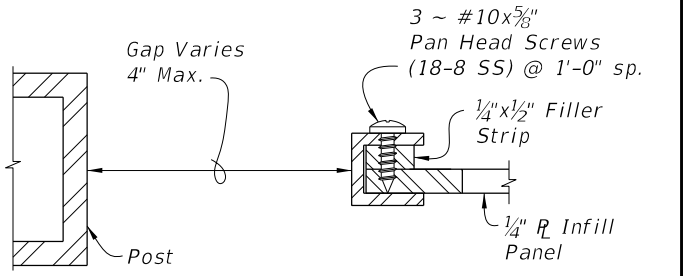
TYPE 4 - BROADWAY INFILL PANEL



SECTION A-A




**PANEL ADJUSTMENT FOR RAILINGS
ON GRADES**

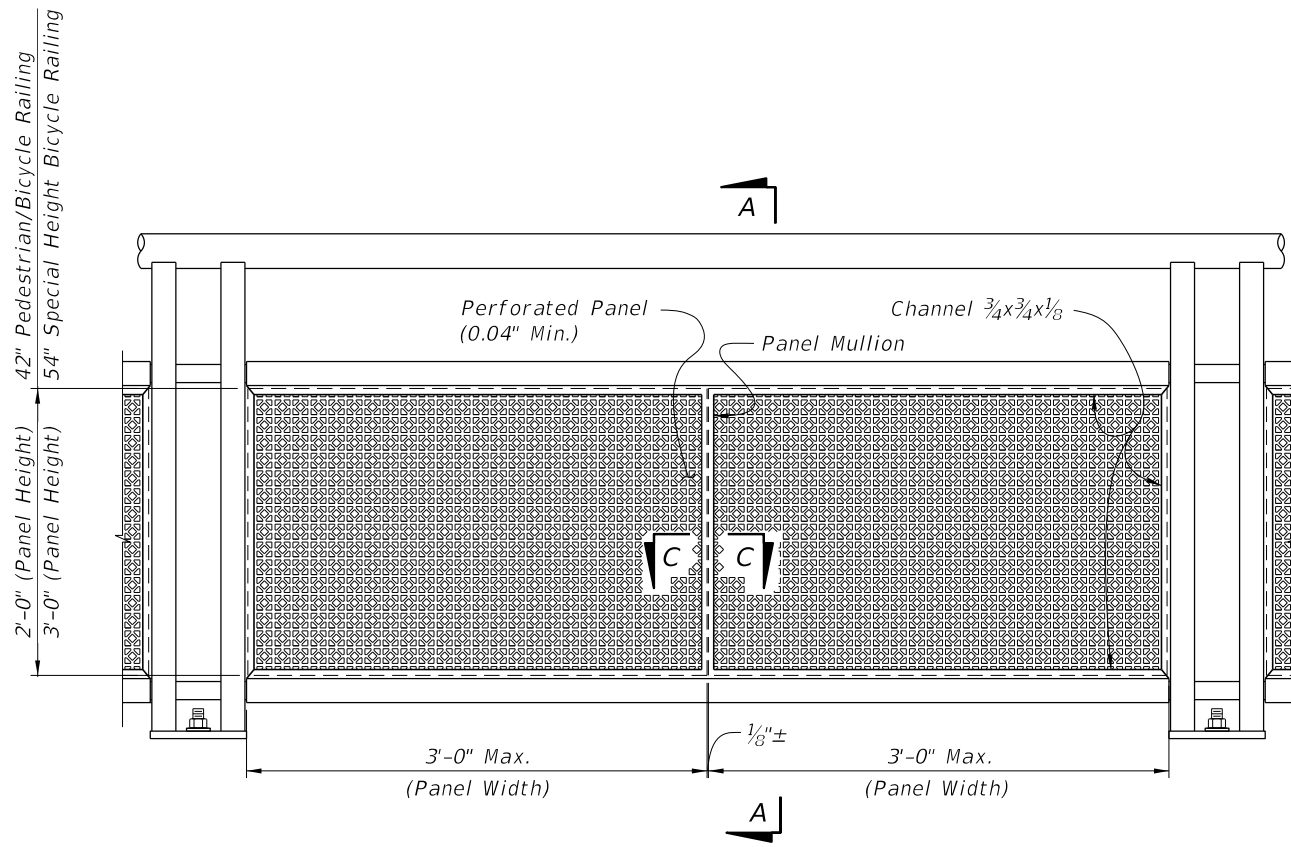


**SECTION B-B
PANEL END CAP**

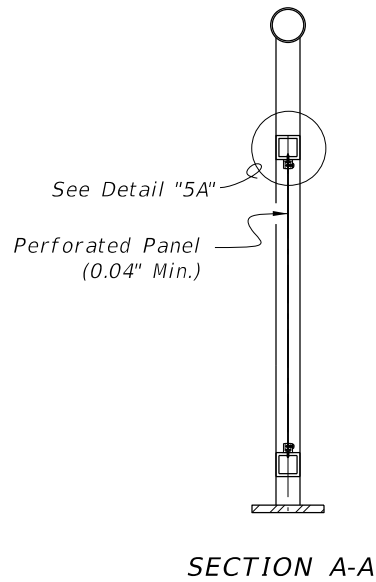
NOTES:
 1. See Plans for Infill Panel Option required.

LAST REVISION 01/01/11	DESCRIPTION:	 FDOT DESIGN STANDARDS FY 2012/2013	ALUMINUM PEDESTRIAN/BICYCLE RAILING	INDEX NO. 862	SHEET NO. 6

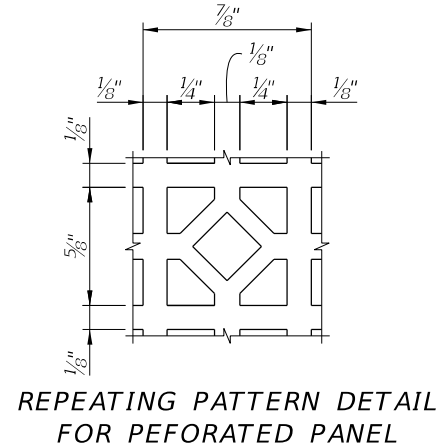
12/30/2011 9:44:48 AM rd9607h C:\projects\standards\structures\current\read\4release\2012book_draft\00862-7of8.dgn



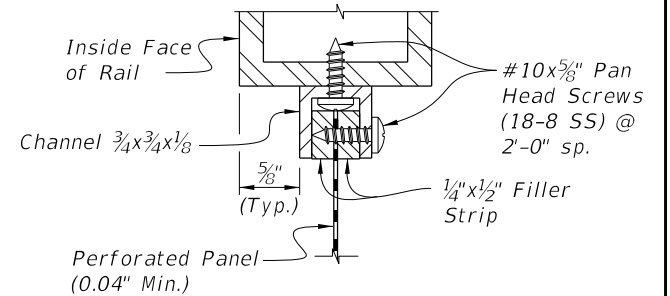
TYPE 5 - PERFORATED INFILL PANEL



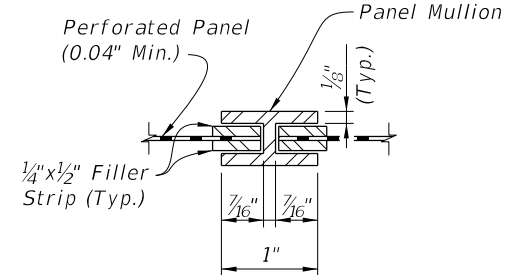
SECTION A-A




REPEATING PATTERN DETAIL FOR PERFORATED PANEL



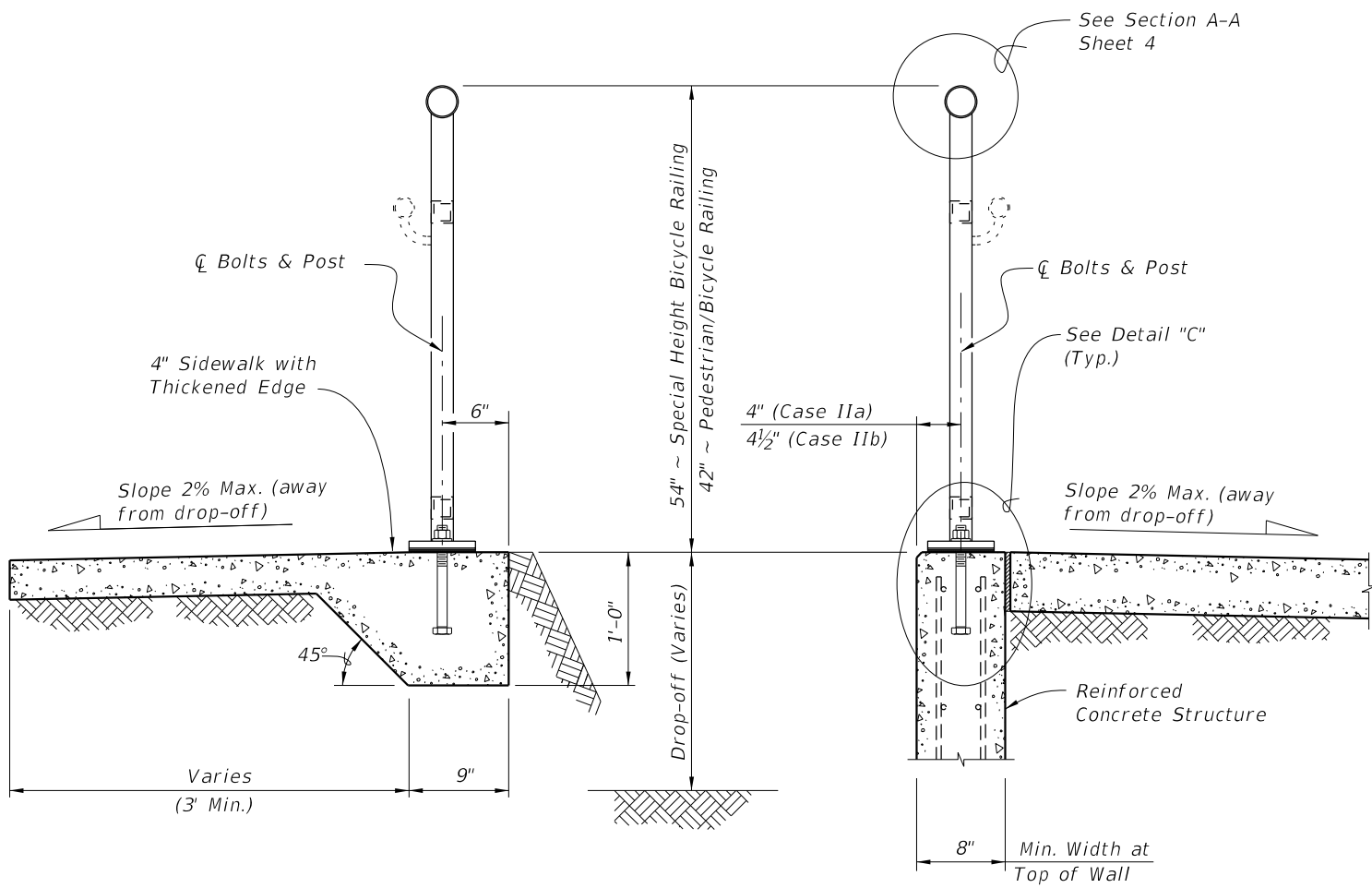
DETAIL "5A" PANEL/RAIL CONNECTION (Top Shown, Bottom & Sides Similar)



SECTION C-C PANEL/SPLICE CONNECTION

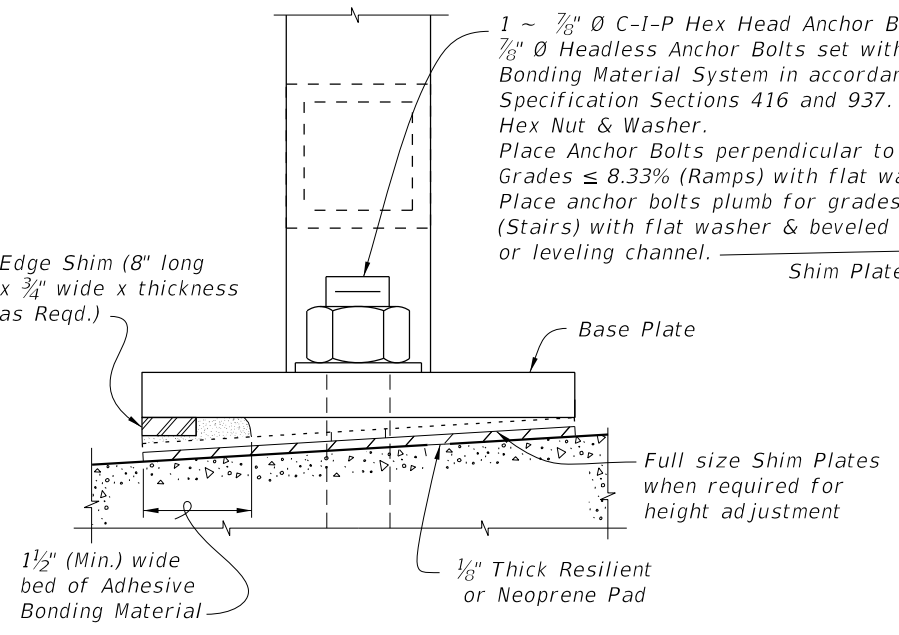
LAST REVISION 01/01/11	REVISION	DESCRIPTION:		FDOT DESIGN STANDARDS FY 2012/2013	ALUMINUM PEDESTRIAN/BICYCLE RAILING	INDEX NO. 862	SHEET NO. 7
----------------------------------	-----------------	--------------	---	--	--	-------------------------	-----------------------

C:\projects\standards\structures\current\ready\4release\2012book_draft\00862-8of8.dgn
 rd960r/h
 9:44:49 AM
 12/30/2011

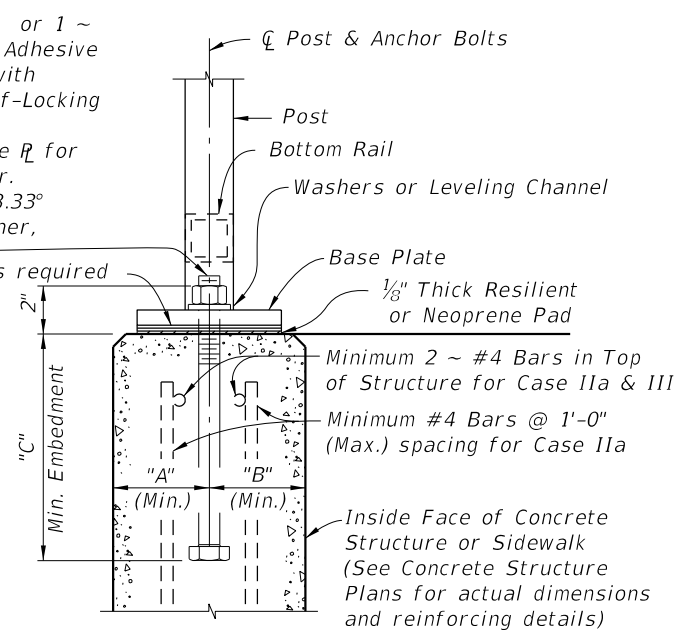


TYPICAL SECTION ON CONCRETE SIDEWALK (Case I)

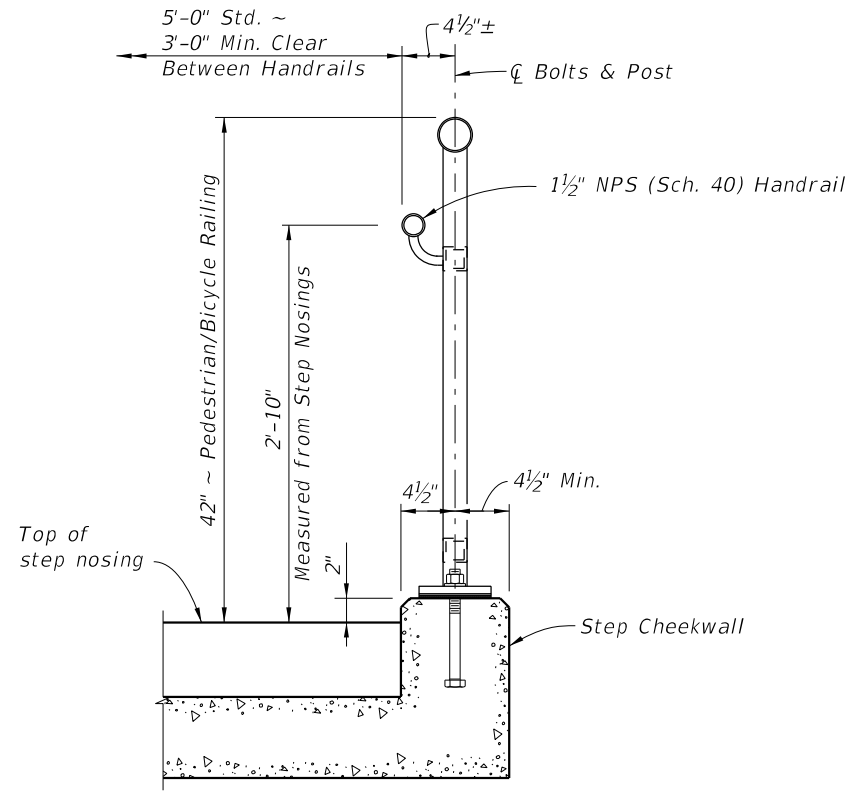
TYPICAL SECTION ON RETAINING WALL (Case II)



DETAIL "D" (OPTIONAL SHIMMING DETAIL FOR CROSS SLOPE CORRECTION) (Used in lieu of Beveled Shim Plates)



DETAIL "C" (Cast-In-Place Anchor Bolts shown, Adhesive Anchors similar)



TYPICAL SECTION ON STEPS & STAIRS (Case III)

ANCHOR BOLT TABLE							
CASE	STRUCTURE TYPE	DIMENSIONS			ANCHOR LENGTH		ANCHOR SIZE
		"A" Edge Dist.	"B" Edge Dist.	"C" Embedment	C.I.P Hex Head Bolt	Adhesive Anchor	
I	Unreinforced Concrete	6"	1'-2"	9"	10 1/2"	11"	7/8" Ø
IIa	Reinforced Concrete	4"	4"	9"	10 1/2"	11"	7/8" Ø
IIb	Gravity Wall Index No. 6011	4 1/2"	3 1/2" @ top	1'-0" *	1'-1 1/2"	1'-2"	7/8" Ø
III	Step Cheekwall	4 1/2"	4 1/2"	9"	10 1/2"	11"	7/8" Ø

* Embedment length "C" may be reduced to 9" for the 42" height railings for Case IIb, when the post spacing does not exceed 5'-0".

NOTES

PIPE RAILING & POSTS:

Structural Tube, Pipe and Bar shall be in accordance with ASTM B221 or ASTM B429, Alloy 6061-T6. End Rail 90° bends and corner bends with maximum 4'-0" post spacing, may be Alloy 6063-T6. Posts and End Rails shall be fabricated and installed plumb, ± 1" tolerance when measured at 3'-6" above the foundation. Corners and changes in tangential longitudinal alignment, may be made continuous with a 9" bend radius or terminated at adjoining sections with a standard end hoop when handrails are not required. For changes in tangential longitudinal alignment greater than 45°, posts shall be positioned at a maximum distance of 2'-0" each side of the corner and shall not be located at the corner apex. For curved longitudinal alignments the top and bottom rails and handrails shall be shop bent to match the alignment radius.

RAILING MEMBER DIMENSIONS TABLE			
MEMBER	DESIGNATION	OUTSIDE DIMENSION	WALL THICKNESS
Posts	2" NPS (Sch. 40)	2.375"	0.154"
Rails	2" NPS (Sch. 40)	2.375"	0.154"
Rail Joint/Splice Sleeves	1½" NPS (Sch. 40)	1.900"	0.145"
Handrails Joint/Splice Sleeves	1" NPS (Sch. 40)	1.315"	0.133"
Handrails	1½" NPS (Sch. 40)	1.900"	0.145"
Handrail Support Bar	1" Ø Round Bar	1.000"	N/A

BASE PLATES:

Base Plates shall be in accordance with ASTM B209, Alloy 6061-T6.

SHIM PLATES:

Shim Plates shall be aluminum in accordance with ASTM B209, Alloy 6061 or 6063. Shim plates shall be used for foundation height adjustments greater than ¼" and localized irregularities greater than ⅛". Field trim shim plates when necessary to match the contours of the foundation. Bevelled shim plates may be used in lieu of trimmed flat shim plates shown. Stacked shim plates must be bonded together with adhesive bonding material and limited to a maximum total thickness of ½", unless longer anchor bolts are provided for the exposed thread length.

COATINGS:

The aluminum railing shall be mill finish unless otherwise noted in the Contract Documents. All nuts, bolts and washers shall be hot-dip galvanized in accordance with Section 962 of the Specifications.

ANCHOR BOLTS:

Anchor bolts shall be in accordance with ASTM F1554 Grade 36. Headless anchor bolts for Adhesive Anchors shall be threaded full length. Cutting of reinforcing steel is permitted for drilled hole installation. All anchor bolts shall have single self-locking hex nuts. Tack welding of the nut to the anchor bolt may be used in lieu of self-locking nuts. All nuts shall be in accordance with ASTM A563 or ASTM A194. Flat Washers shall be in accordance with ASTM F436 and Plate Washers (for long slotted holes only), shall be in accordance with ASTM A36 or ASTM A709 Grade 36. After the nuts have been snug tightened, the anchor bolt threads shall be distorted to prevent removal of the nuts. Distorted threads and tack welds shall be coated with a galvanizing compound in accordance with the Specifications.

RESILIENT AND NEOPRENE PADS:

Resilient and Neoprene pads shall be in accordance with Specification Section 932, except that testing of the finished pads shall not be required. Neoprene pads shall be durometer hardness 60 or 70.

JOINTS:

All fixed joints are to be welded all around and ground smooth. Expansion Joints shall be spaced at a maximum of 30'-0". Field splices similar to the expansion joint detail may be approved by the Engineer to facilitate shipping and handling, but rails must be continuous across a minimum of two posts. Only use the Continuity Field Splice (Detail "E") to make the railing continuous for unforeseen field adjustments.

WELDING:

All welding shall be in accordance with the American Welding Society Structural Welding Code (Aluminum) ANSI/AWS D1.2 (current edition). Filler metal shall be either ER5183, ER5356 or ER5556. Nondestructive testing of welds is not required.

SHOP DRAWINGS:

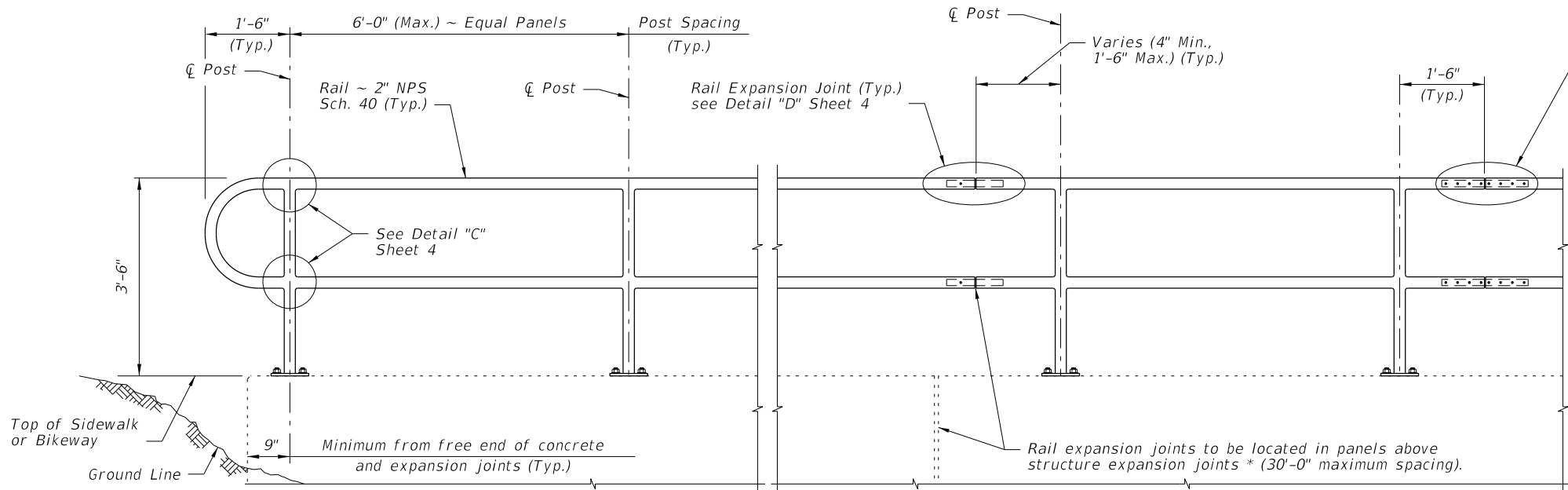
Complete details addressing project specific geometry (line & grade) showing post and expansion joint locations must be submitted by the Contractor for the Engineer's approval prior to fabrication of the railing. Shop drawings shall be in accordance with the Specifications.

PAYMENT:

Guiderail shall be paid for under the contract unit price for Pipe Guiderail (Aluminum), LF (Item No. 515-1-2). Payment for the Guiderail will be plan quantity measured as the length along the center line of the top rail, and includes rails, posts, rail splice assembly, base plates, anchor bolts, nuts, washers, resilient or neoprene pads and all incidental materials and labor required to complete installation of the Guiderail.

C:\projects\standards\roadway\00800-s\00870-01.dgn 12/30/2011 9:44:50 AM r0960/h

LAST REVISION	01/01/11	DESCRIPTION:	 FDOT DESIGN STANDARDS FY 2012/2013	ALUMINUM PIPE GUIDERAIL	INDEX NO.	SHEET NO.
					870	1

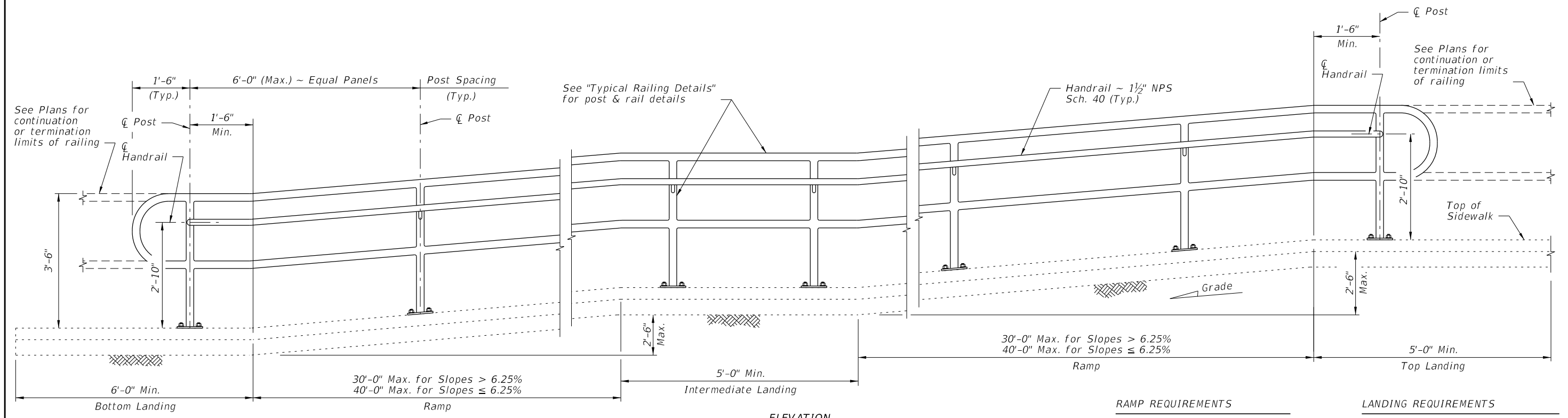


NOTES:
 NPS = Nominal Pipe Size
 STRUCTURES EXPANSION JOINTS NOTE:
 * Keyed construction joints in Index No. 520 Gravity Wall are not considered to be expansion joints.

CROSS REFERENCE:
 For Details "C", "D" and "E", see Sheet 4.

ELEVATION

TYPICAL RAILING DETAILS & RAILINGS ON GRADES 0% TO 5%



RAMP REQUIREMENTS

For slopes greater than 5%:
 Max. ramp slope = 8.33%
 Max. ramp cross-slope = 2.0%

LANDING REQUIREMENTS

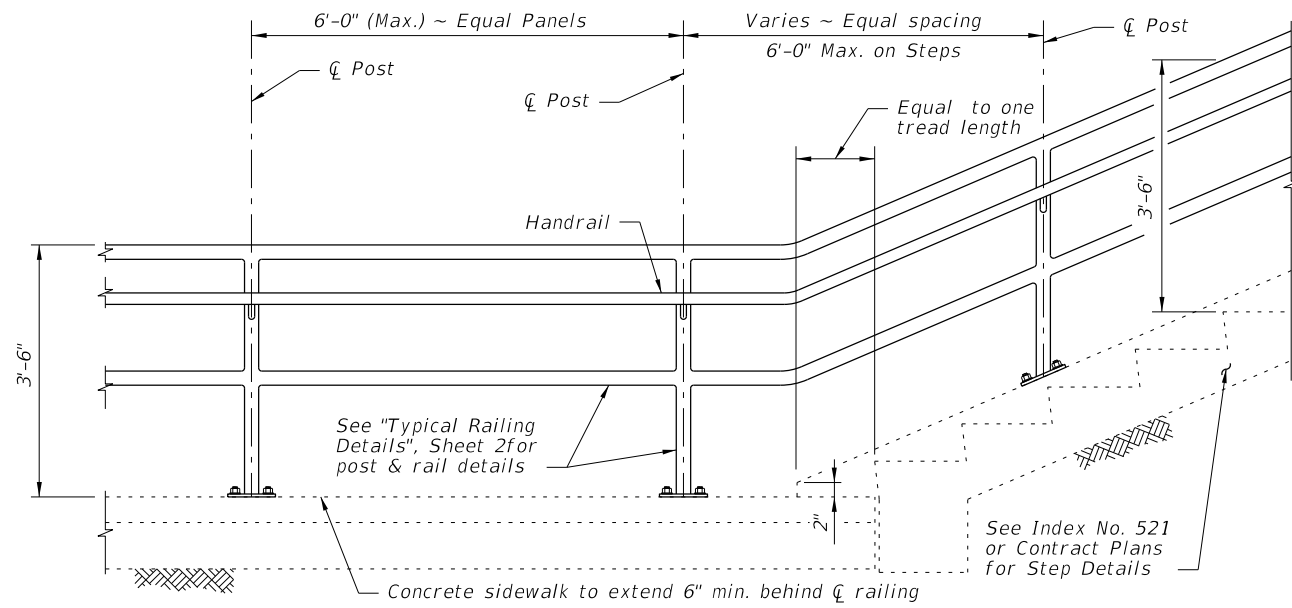
Max. landing slope = 2%
 Max. landing cross-slope = 2%

ELEVATION
 (Showing Inside Face of Railing)

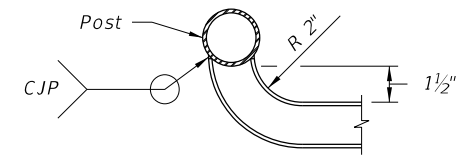
RAILINGS ON GRADES STEEPER THAN 5% TO 8.33%

C:\projects\standards\roadway\08800-s\08870-02.dgn
 r1960rh
 9:44:51 AM
 12/30/2011

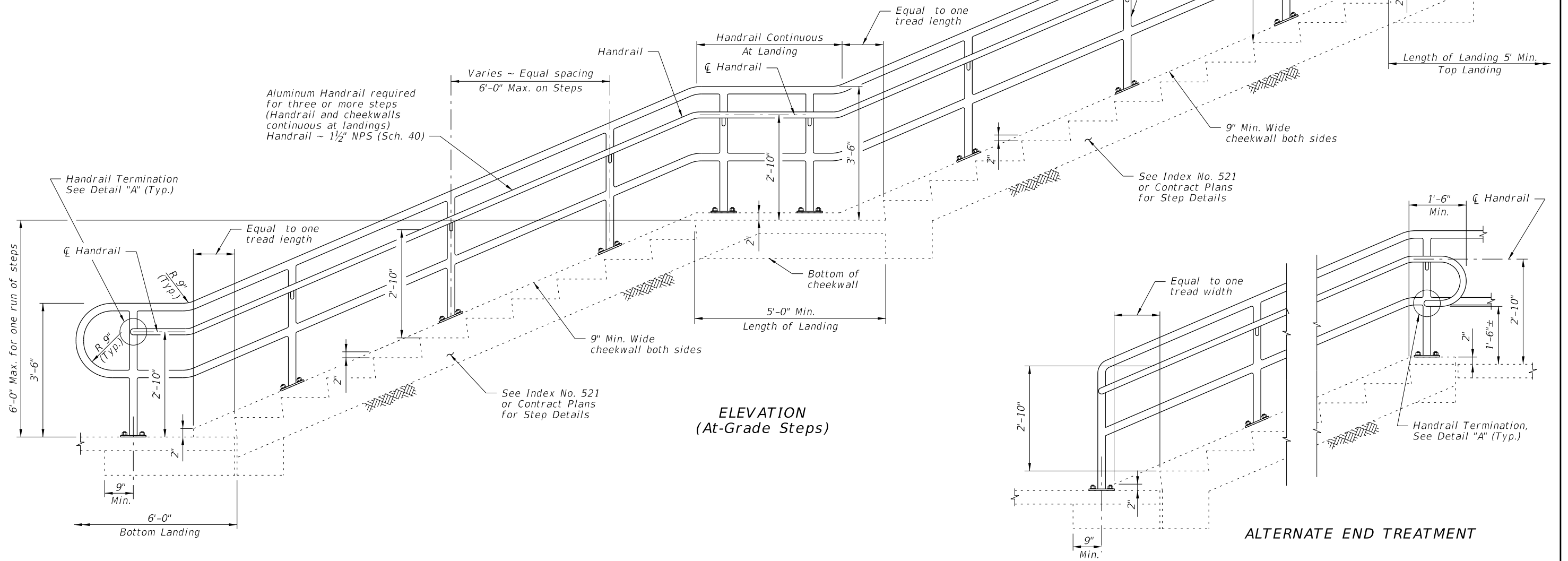
LAST REVISION	REVISION	DESCRIPTION:	 FDOT DESIGN STANDARDS FY 2012/2013	ALUMINUM PIPE GUIDERAIL	INDEX NO.	SHEET NO.
01/01/12					870	2



RAILING CONTINUATION BEYOND STEPS
(Bottom shown, Top similar)



DETAIL "A" - PLAN VIEW
HANDRAIL TERMINATION




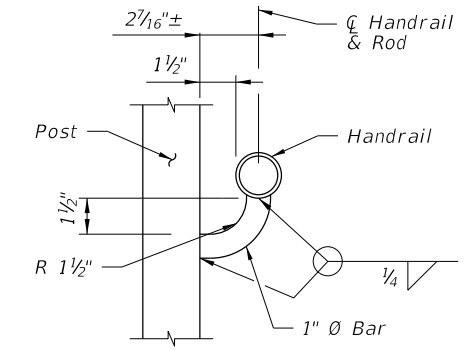
ELEVATION
(At-Grade Steps)

ALTERNATE END TREATMENT

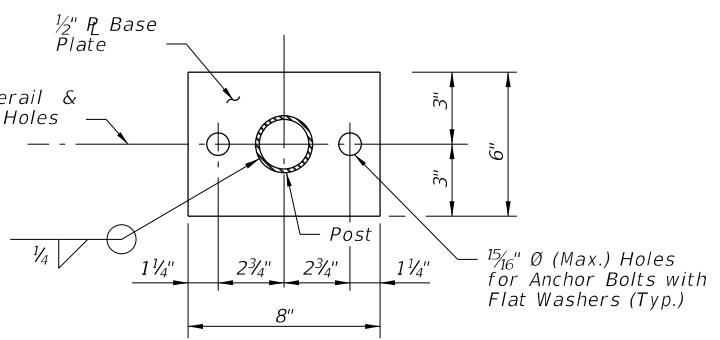
GUIDERAIL ON STEPS & STAIRS

12/30/2011 9:44:52 AM r4960/h C:\projects\standards\roadway\0800-s\0870-03.dgn

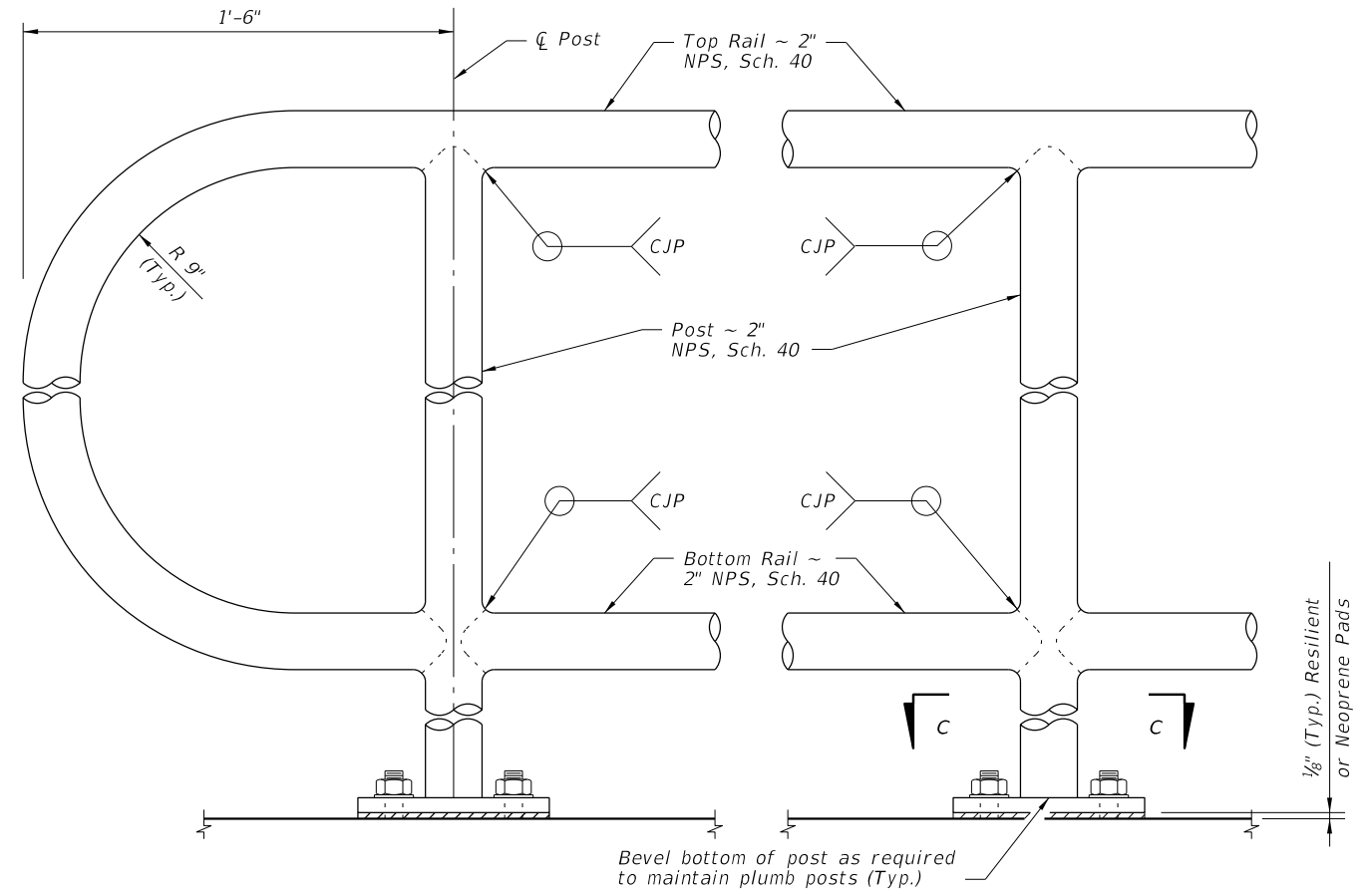
LAST REVISION	REVISION	DESCRIPTION:	 FDOT DESIGN STANDARDS FY 2012/2013	ALUMINUM PIPE GUIDERAIL	INDEX NO.	SHEET NO.
01/01/12					870	3



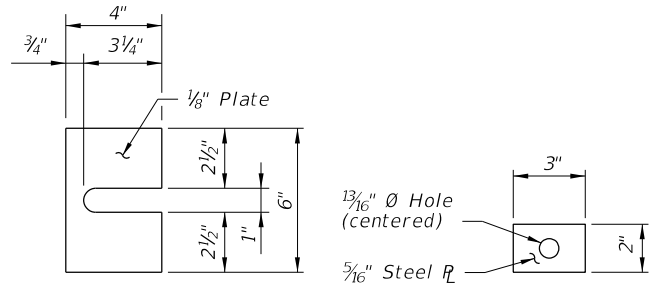
**SECTION B-B
(Handrail Connection)**



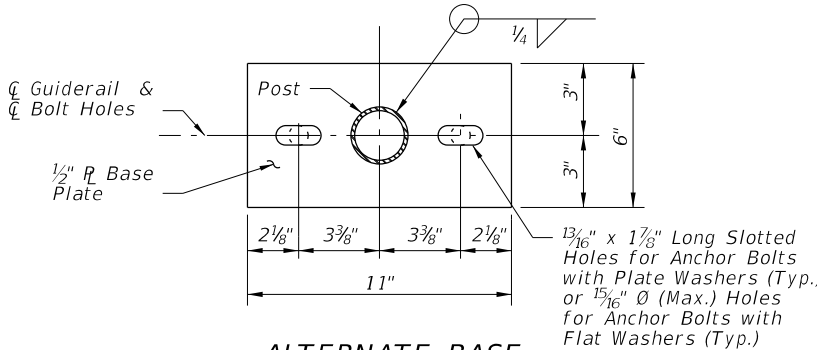
**SECTION C-C
BASE PLATE DETAIL**



**DETAIL "C" - RAIL CONNECTIONS
(Handrail Not Shown)**



**SHIM PLATE
DETAIL**

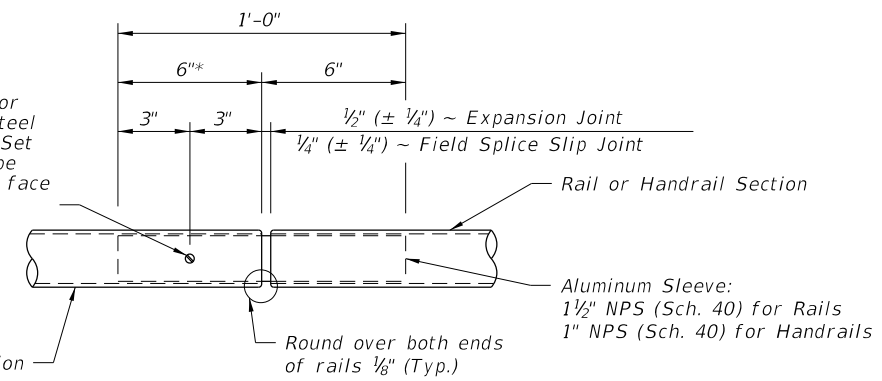


**ALTERNATE BASE
PLATE DETAIL
(Recommended for Top of Step Cheekwalls)**



**PLATE WASHER
DETAIL**

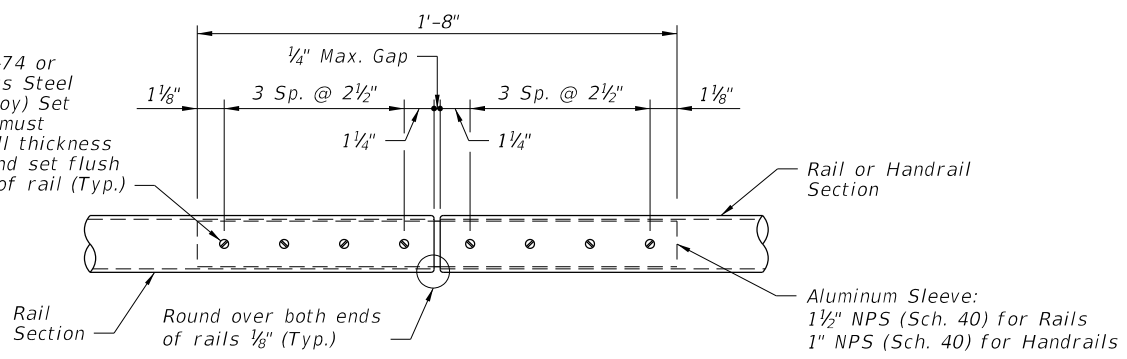
1/4" Ø x 3/4" Pan Head
Aluminum (Alloy 2024-T4 or 7075-T73) or Stainless Steel (Type 316 or 18-8 Alloy) Set Screw. Set Screw must be set flush against outside face of rail (Typ.)



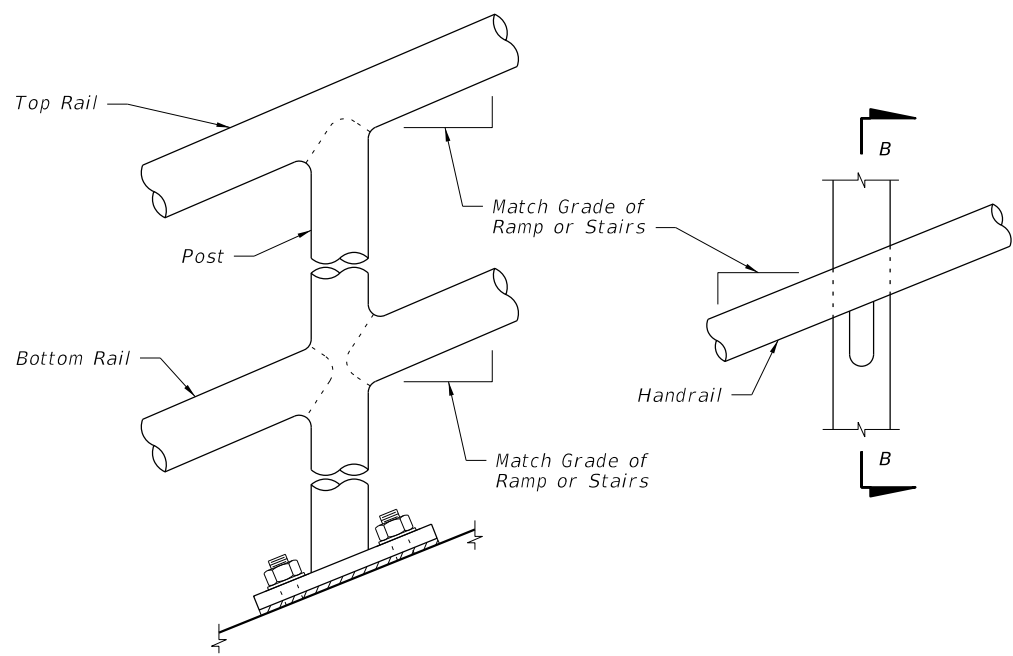
**DETAIL "D" - EXPANSION JOINT
(FIELD SPLICE SLIP JOINT SIMILAR)**

* At the Contractor's option, embedded length may be 4" when a 3/4" Ø plug weld is substituted for the 1/4" Ø set screw.

1/4" Ø x 3/4" Pan Head
Aluminum (Alloy 2024-T4 or 7075-T73) or Stainless Steel (Type 316 or 18-8 Alloy) Set Screws. Set Screws must penetrate the full wall thickness of the inner sleeve and set flush against outside face of rail (Typ.)



**DETAIL "E" - CONTINUITY
FIELD SPLICE**

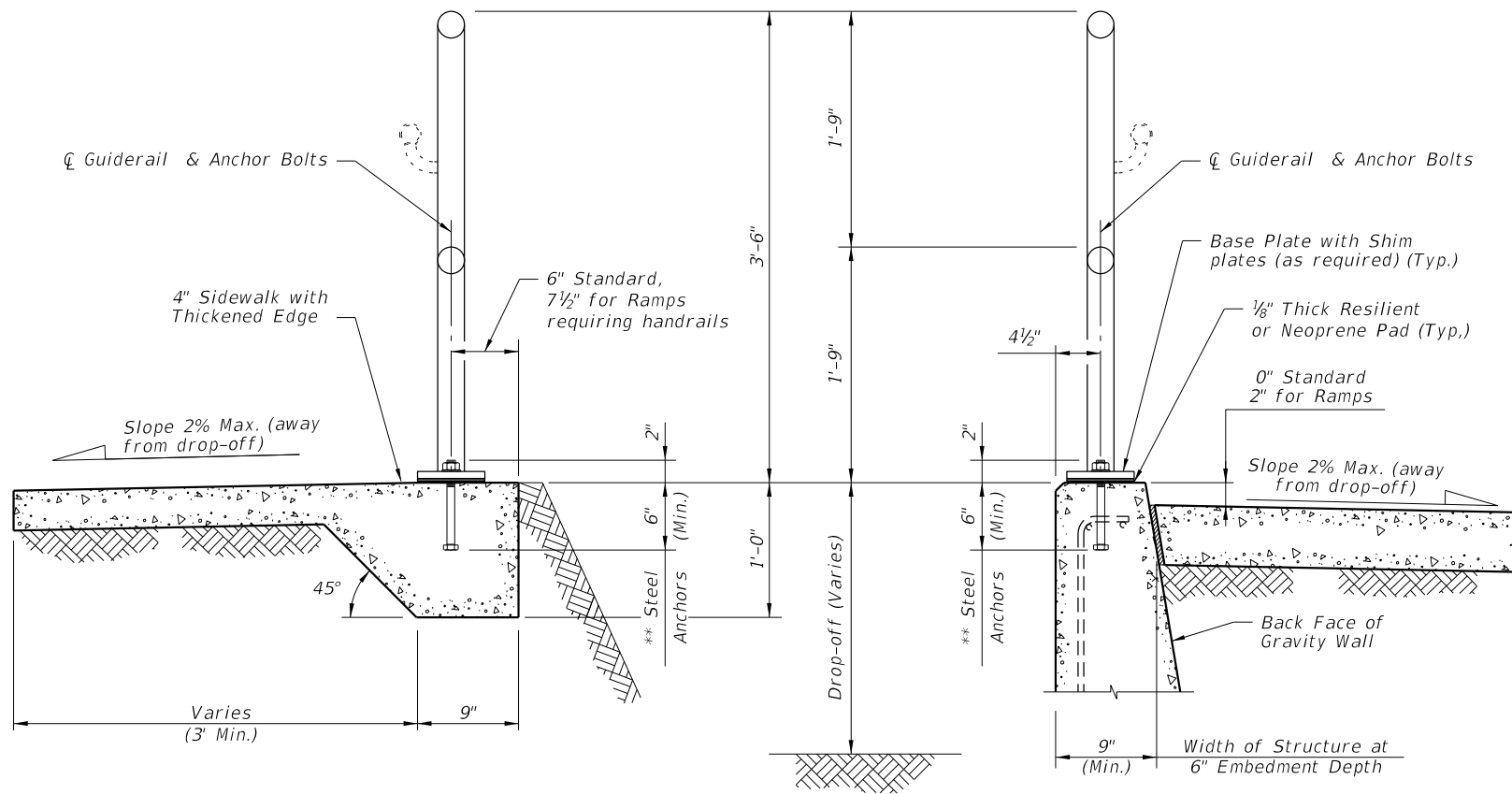


**DETAIL "B" - RAIL AND HANDRAIL
(Showing Sloped Condition for Stairs or Ramp)**

CROSS REFERENCE:
For locations of Details "C", "D" and "E", see Sheet 2.

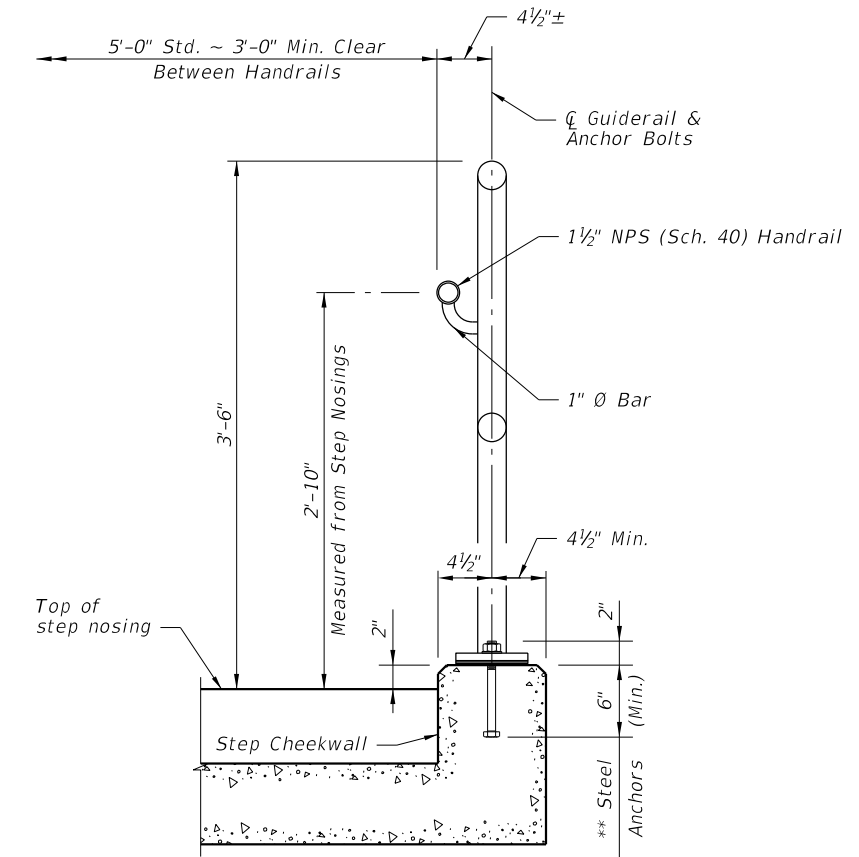
12/30/2011 9:44:52 AM r0960/h C:\projects\standards\roadway\00800-s\00870-04.dgn

LAST REVISION	DESCRIPTION:		FDOT DESIGN STANDARDS FY 2012/2013	ALUMINUM PIPE GUIDERAIL	INDEX NO.	SHEET NO.
07/01/10					870	4

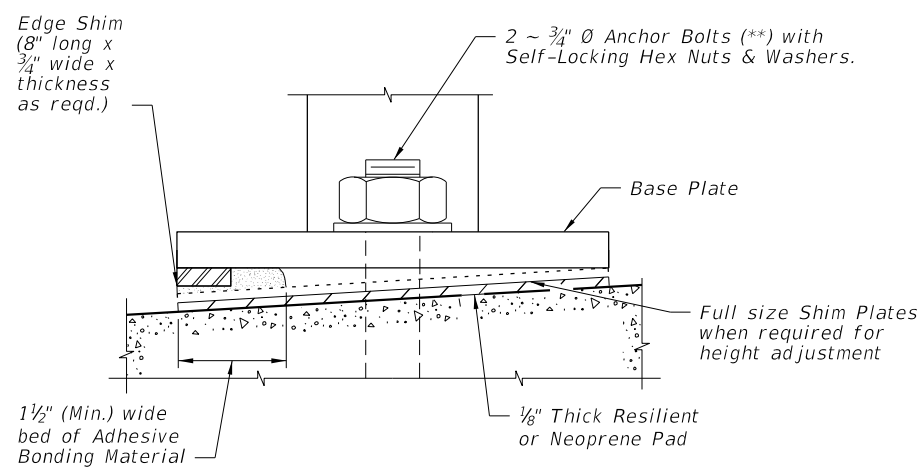


TYPICAL SECTION ON CONCRETE SIDEWALK

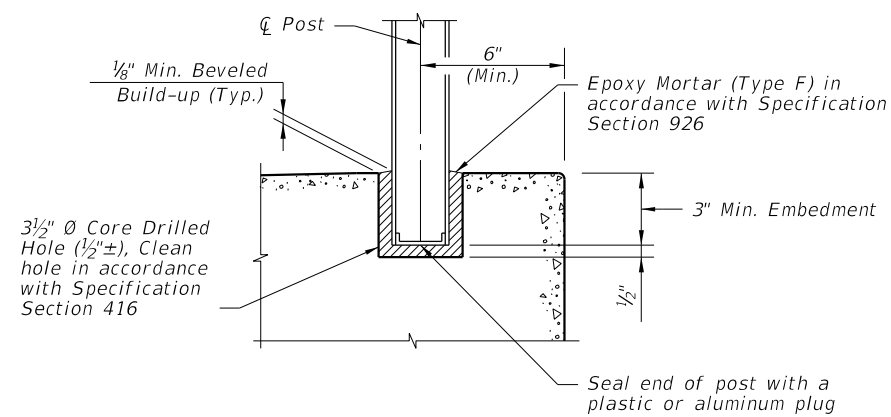
TYPICAL SECTION ON GRAVITY WALL
(Other Retaining Walls Similar)



TYPICAL SECTION ON STEPS & STAIRS



DETAIL "F" (OPTIONAL SHIMMING DETAIL
FOR CROSS SLOPE CORRECTION)
(Used in lieu of Beveled Shim Plates)



OPTIONAL SIDEWALK ANCHORAGE DETAIL

NOTES:

- ** 2 ~ 3/4" \varnothing x 8" Steel Anchors: Galvanized Steel Bolts (As Shown) (C-I-P); Galvanized U-Bolts Permitted (C-I-P); Galvanized Adhesive Anchors Permitted (***) ; Expansion Anchors Not Permitted.
- *** Adhesive anchors shall be fully threaded headless anchor bolts set in drilled holes (manufacturer recommended diameter) with an Adhesive Bonding Material System in accordance with Specification Section 937 and installed in accordance with Specification Section 416. The minimum embedment is 6".

12/30/2011 9:44:53 AM r1960/h C:\projects\standards\roadway\00800-s\00870-05.dgn

LAST REVISION	REVISION	DESCRIPTION:	 FDOT DESIGN STANDARDS FY 2012/2013	ALUMINUM PIPE GUIDERAIL	INDEX NO.	SHEET NO.
01/01/11					870	5

NOTES

PIPE RAILING & POSTS:

Pipe Rails and Posts shall be in accordance with ASTM A53 Grade B for standard weight pipe and ASTM A500 Grade B, C or D or ASTM A501 for structural tube. Bars for handrail supports shall be ASTM A36. Posts and End Rails shall be fabricated and installed plumb, ± 1" tolerance when measured at 3'-6" above the foundation. Corners and changes in tangential longitudinal alignment, may be made continuous with a 9" bend radius or terminated at adjoining sections with a standard end hoop when handrails are not required. For changes in tangential longitudinal alignment greater than 45°, posts shall be positioned at a maximum distance of 2'-0" each side of the corner and shall not be located at the corner apex. For curved longitudinal alignments the top and bottom rails and handrails shall be shop bent to match the alignment radius.

RAILING MEMBER DIMENSIONS TABLE			
MEMBER	DESIGNATION	OUTSIDE DIMENSION	WALL THICKNESS
Posts	2" NPS (Sch. 40)	2.375"	0.154"
Rails	2" NPS (Sch. 40)	2.375"	0.154"
Rail Joint/Splice Sleeves	1½" NPS (Sch. 40)	1.900"	0.145"
Handrails Joint/Splice Sleeves	1" NPS (Sch. 40)	1.315"	0.133"
Handrails	1½" NPS (Sch. 40)	1.900"	0.145"
Handrail Support Bar	1" Ø Round Bar	1.000"	N/A

BASE PLATES:

Base Plates shall be in accordance with ASTM A36 or ASTM A709 Grade 36.

SHIM PLATES:

Shim Plates shall be aluminum in accordance with ASTM B209, Alloy 6061 or 6063. Shim plates shall be used for foundation height adjustments greater than ¼" and localized irregularities greater than ⅛". Field trim shim plates when necessary to match the contours of the foundation. Bevelled shim plates may be used in lieu of trimmed flat shim plates shown. Stacked shim plates must be bonded together with adhesive bonding material and limited to a maximum total thickness of ½", unless longer anchor bolts are provided for the exposed thread length.

COATINGS:

The railing shall be hot-dip galvanized after fabrication in accordance with Section 962 of the Specifications. All nuts, bolts and washers shall be hot-dip galvanized in accordance with Section 962 of the Specifications.

ANCHOR BOLTS:

Anchor bolts shall be in accordance with ASTM F1554 Grade 36. Headless anchor bolts for Adhesive Anchors shall be threaded full length. Cutting of reinforcing steel is permitted for drilled hole installation. All anchor bolts shall have single self-locking hex nuts. Tack welding of the nut to the anchor bolt may be used in lieu of self-locking nuts. All nuts shall be in accordance with ASTM A563 or ASTM A194. Flat Washers shall be in accordance with ASTM F436 and Plate Washers (for long slotted holes only), shall be in accordance with ASTM A36 or ASTM A709 Grade 36. After the nuts have been snug tightened, the anchor bolt threads shall be distorted to prevent removal of the nuts. Distorted threads and tack welds shall be coated with a galvanizing compound in accordance with the Specifications.

RESILIENT AND NEOPRENE PADS:

Resilient and Neoprene pads shall be in accordance with Specification Section 932, except that testing of the finished pads shall not be required. Neoprene pads shall be durometer hardness 60 or 70.

JOINTS:

All fixed joints are to be welded all around and ground smooth. Expansion Joints shall be spaced at a maximum of 30'-0". Field splices similar to the expansion joint detail may be approved by the Engineer to facilitate shipping and handling, but rails must be continuous across a minimum of two posts. Only use the Continuity Field Splice (Detail "E") to make the railing continuous for unforeseen field adjustments.

WELDING:

All welding shall be in accordance with the American Welding Society Structural Welding Code (Steel) ANSI/AWS D1.1 (current edition). Weld metal shall be E60XX or E70XX. Nondestructive testing of welds is not required.

SHOP DRAWINGS:

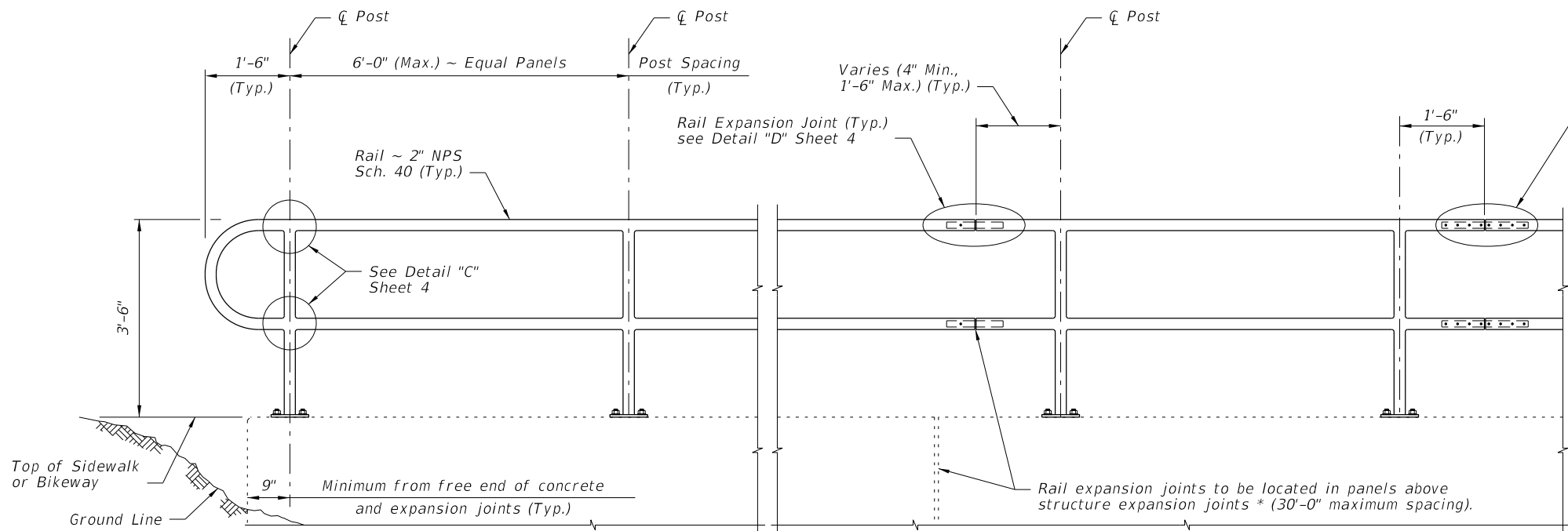
Complete details addressing project specific geometry (line & grade) showing post and expansion joint locations must be submitted by the Contractor for the Engineer's approval prior to fabrication of the railing. Shop drawings shall be in accordance with the Specifications.

PAYMENT:

Guiderail shall be paid for under the contract unit price for Pipe Guiderail (Steel), LF (Item No. 515-1-1). Payment for the Guiderail will be plan quantity measured as the length along the center line of the top rail, and includes rails, posts, rail splice assembly, base plates, anchor bolts, nuts, washers, resilient or neoprene pads and all incidental materials and labor required to complete installation of the Guiderail.

C:\projects\standards\roadway\00800-s\00800-01.dgn 12/30/2011 9:44:54 AM r0960/h

LAST REVISION	01/01/11	DESCRIPTION:	 FDOT DESIGN STANDARDS FY 2012/2013	STEEL PIPE GUIDERAIL	INDEX NO.	SHEET NO.
					880	1

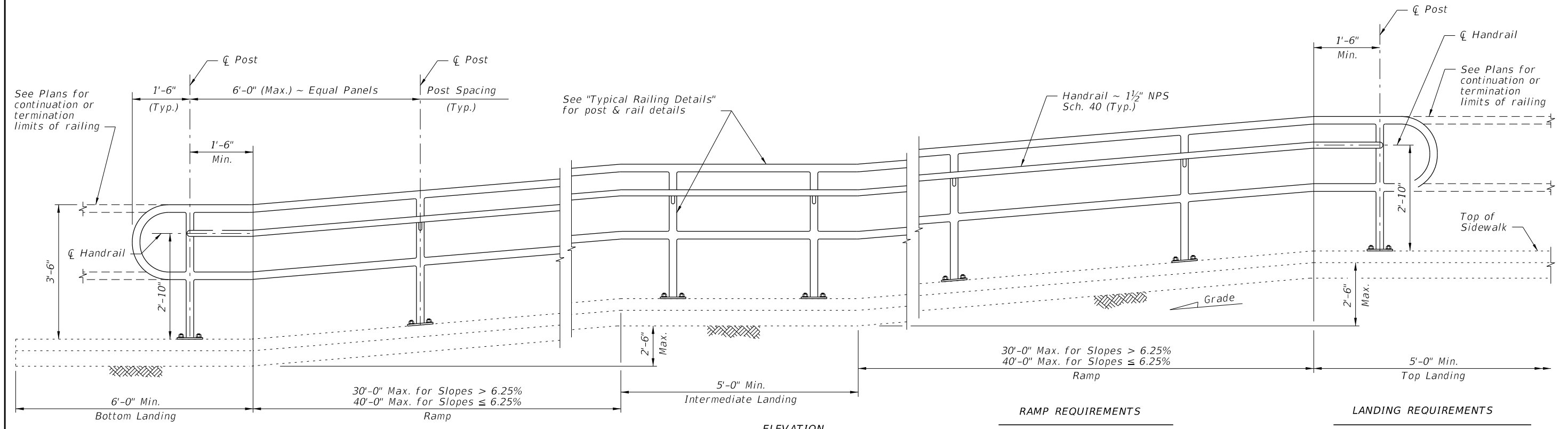


NOTES:
 NPS = Nominal Pipe Size
 STRUCTURES EXPANSION JOINTS NOTE:
 * Keyed construction joints in Index No. 520 Gravity Wall are not considered to be expansion joints.

CROSS REFERENCE:
 For Details "C", "D" and "E", see Sheet 4.

ELEVATION

TYPICAL RAILING DETAILS & RAILINGS ON GRADES 0% TO 5%



ELEVATION
 (Showing Inside Face of Railing)

RAMP REQUIREMENTS

For slopes greater than 5%:
 Max. ramp slope = 8.33%
 Max. ramp cross-slope = 2.0%

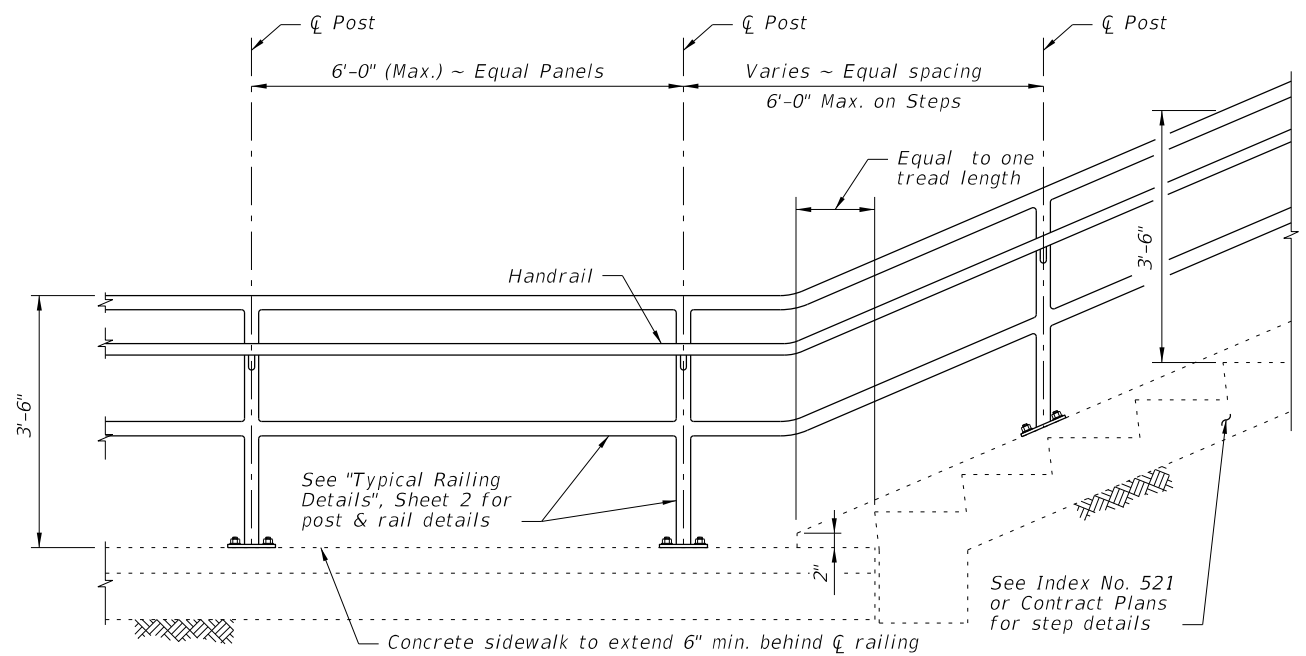
LANDING REQUIREMENTS

Max. landing slope = 2%
 Max. landing cross-slope = 2%

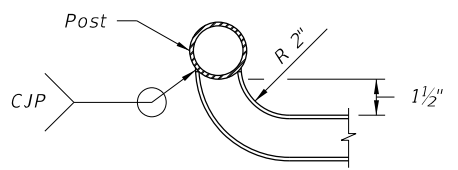
RAILINGS ON GRADES STEEPER THAN 5% TO 8.33%

C:\projects\standards\roadway\08800-s\08800-02.dgn
 r1960/h
 9:44:54 AM
 12/30/2011

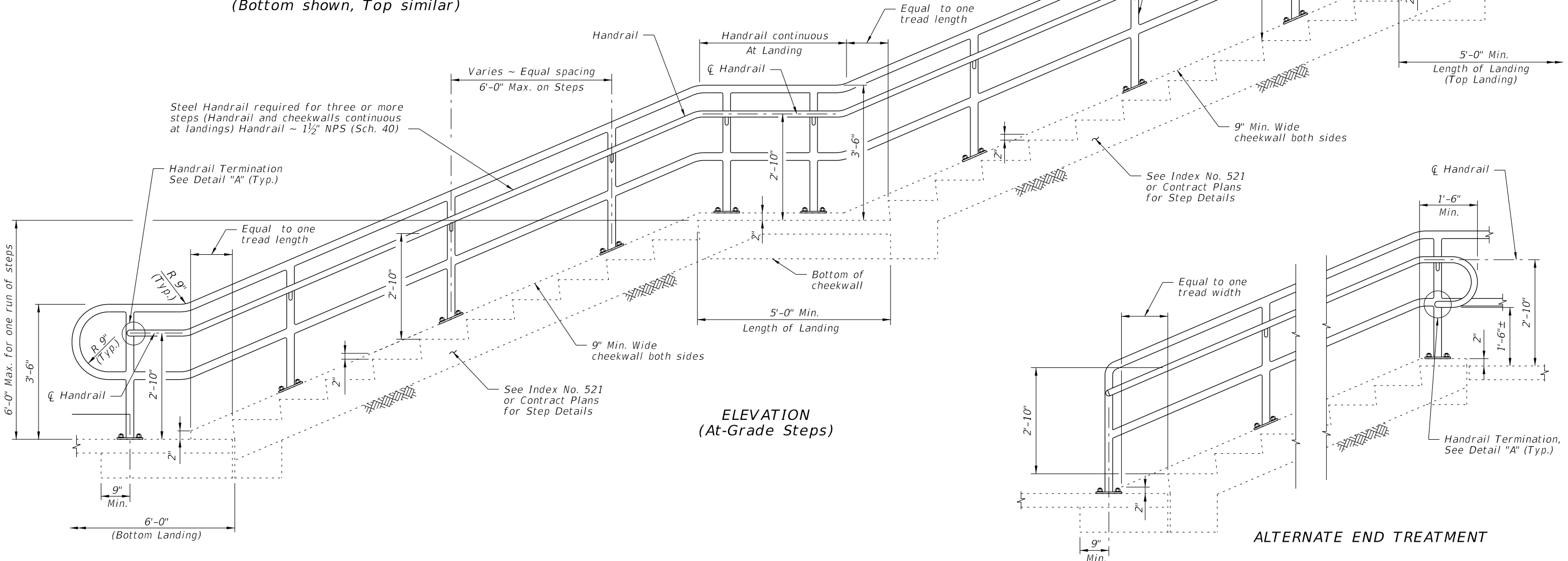
LAST REVISION	01/01/12	DESCRIPTION:	 FDOT DESIGN STANDARDS FY 2012/2013	STEEL PIPE GUIDERAIL	INDEX NO.	880	SHEET NO.	2
---------------	----------	--------------	--	-----------------------------	-----------	-----	-----------	---



RAILING CONTINUATION BEYOND STEPS
(Bottom shown, Top similar)



DETAIL "A" - PLAN VIEW
HANDRAIL TERMINATION



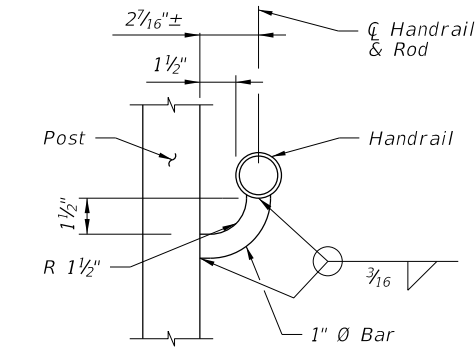
ELEVATION
(At-Grade Steps)

ALTERNATE END TREATMENT

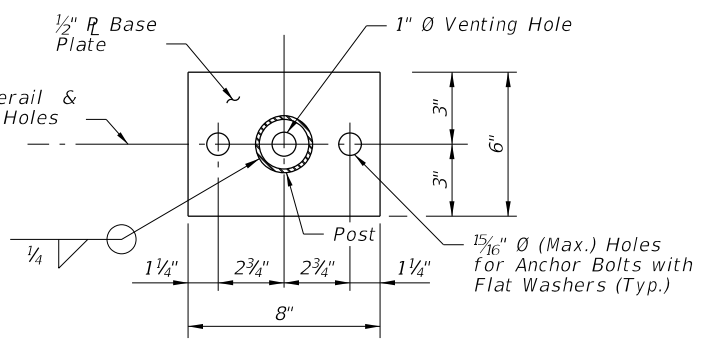
GUIDERAIL ON STEPS & STAIRS

12/30/2011 9:44:55 AM r19960/h C:\projects\standards\roadway\08800-s\08800-03.dgn

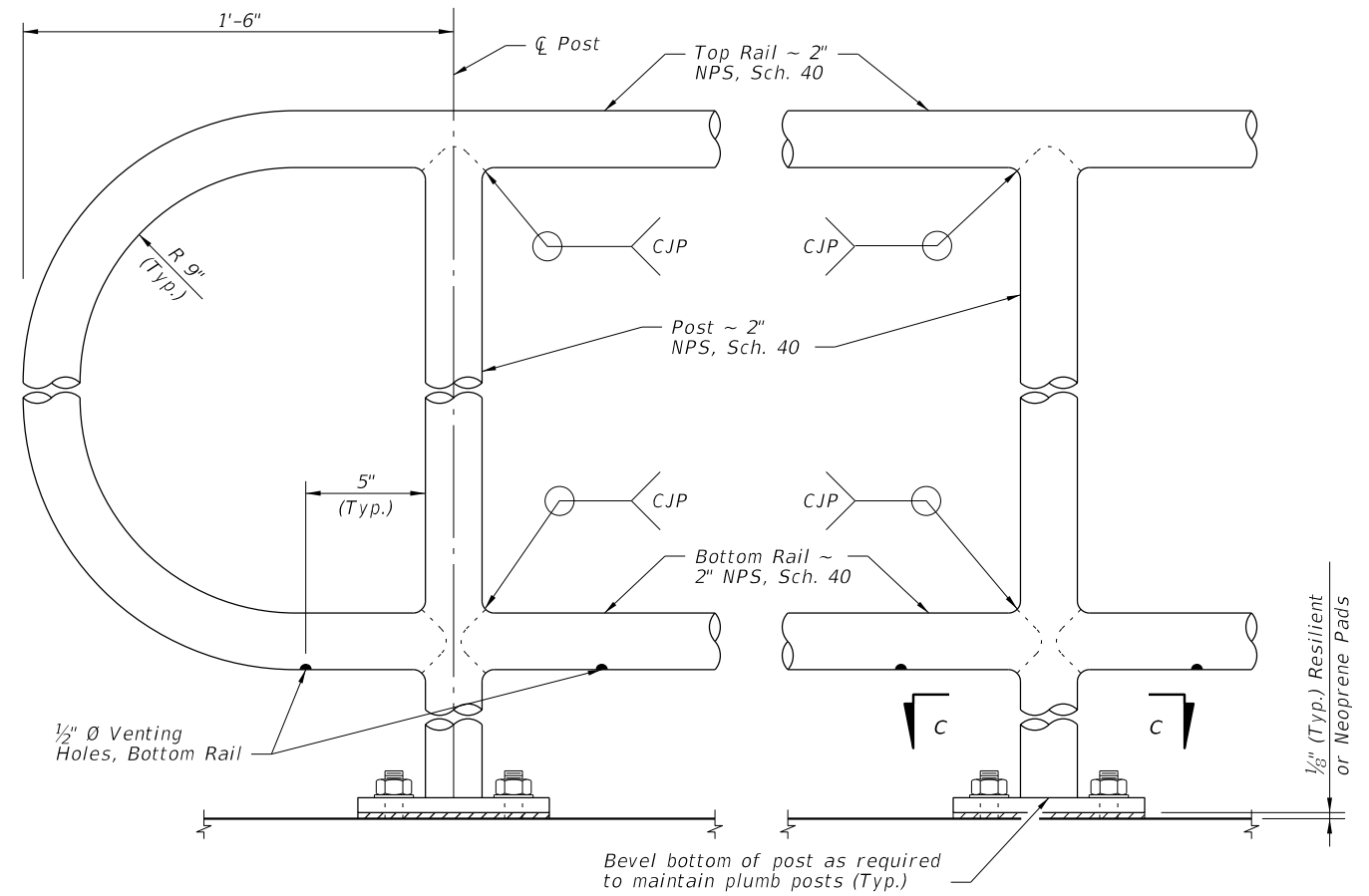
LAST REVISION	REVISION	DESCRIPTION:	 FDOT DESIGN STANDARDS FY 2012/2013	STEEL PIPE GUIDERAIL	INDEX NO.	SHEET NO.
01/01/12					880	3



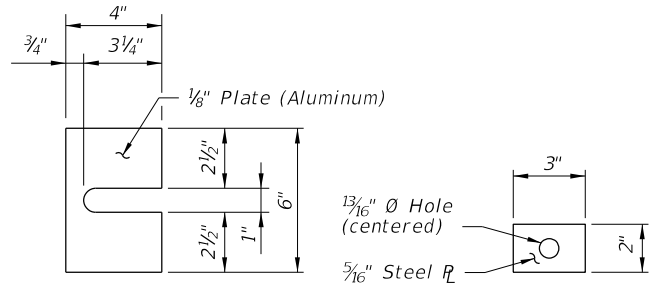
**SECTION B-B
(Handrail Connection)**



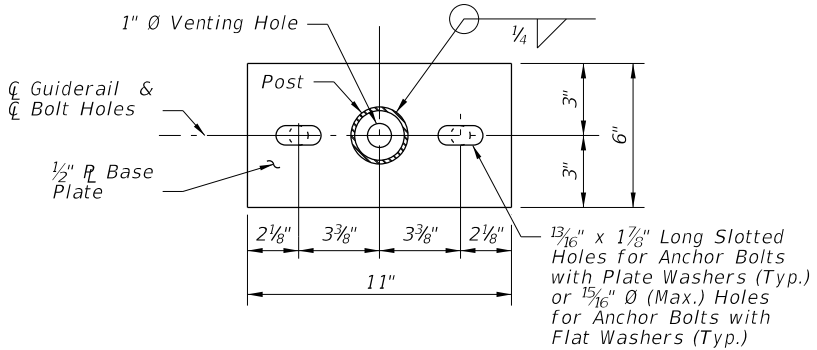
**SECTION C-C
BASE PLATE DETAIL**



**DETAIL "C" - RAIL CONNECTIONS
(Handrail Not Shown)**

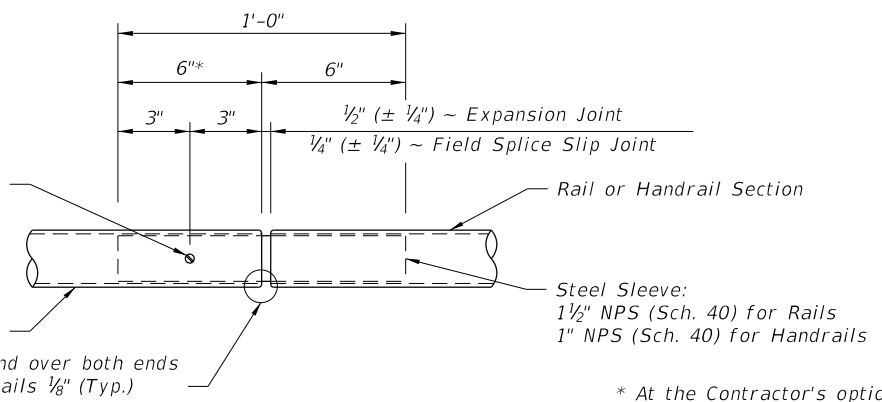


**SHIM PLATE
DETAIL**



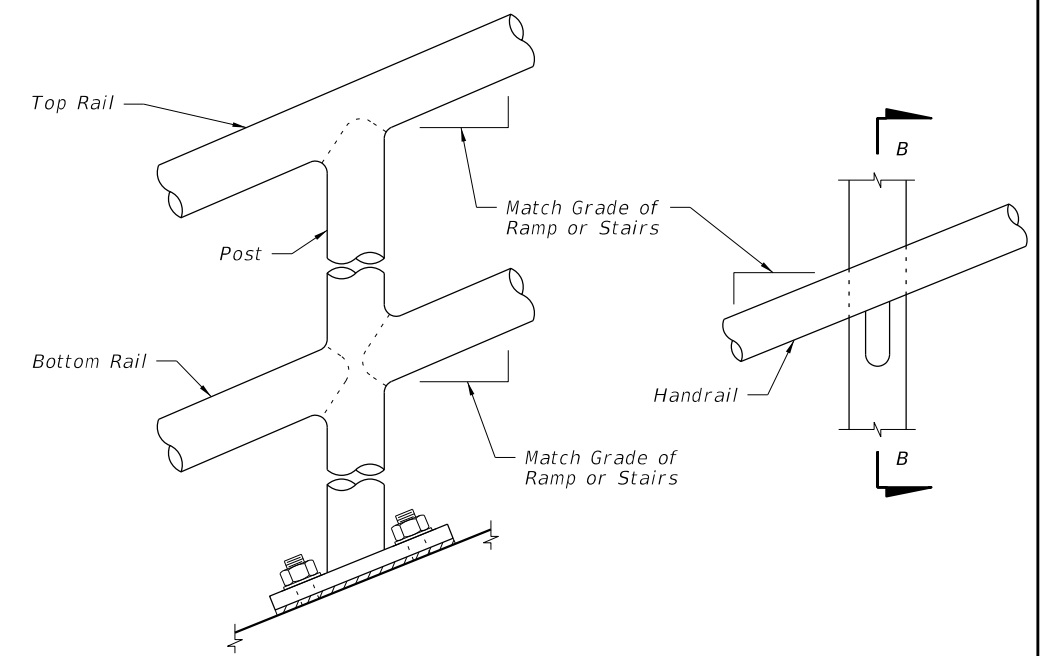
**ALTERNATE BASE
PLATE DETAIL
(Recommended for Top of Step Cheekwalls)**

**PLATE WASHER
DETAIL**

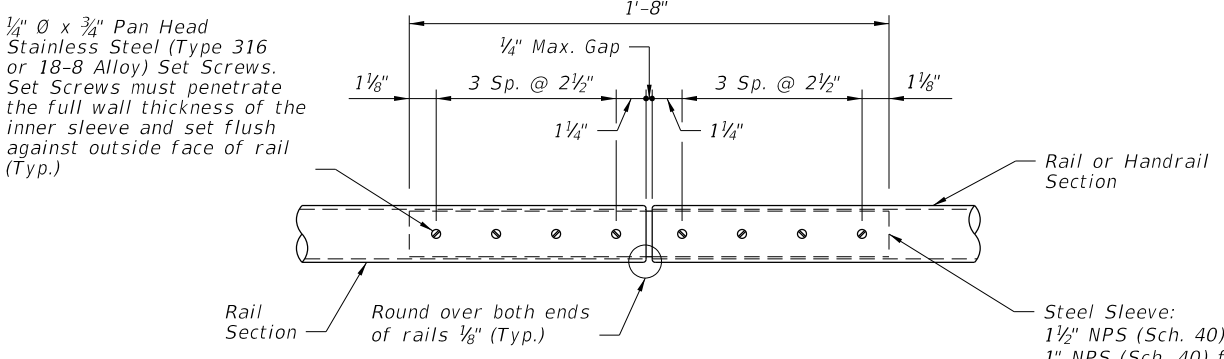


**DETAIL "D" - EXPANSION JOINT
(FIELD SPLICE SLIP JOINT SIMILAR)**

* At the Contractor's option, embedded length may be 4" when a 3/4" diameter plug weld is substituted for the 1/4" diameter set screw.



**DETAIL "B" - RAIL AND HANDRAIL
(Showing Sloped Condition for Stairs or Ramp)**

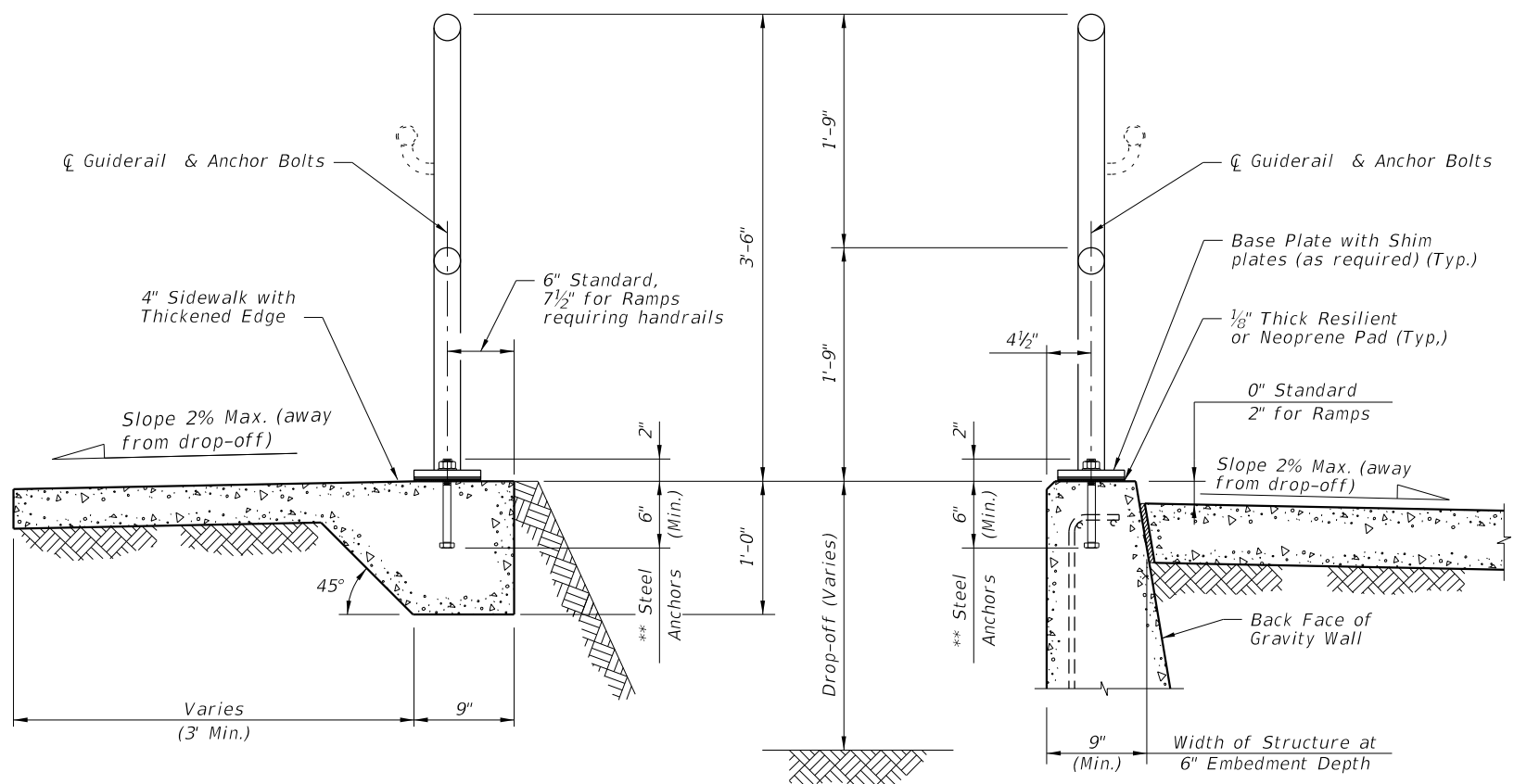


**DETAIL "E" - CONTINUITY
FIELD SPLICE**

CROSS REFERENCE:
For locations of Details "C", "D" and "E", see Sheet 2.

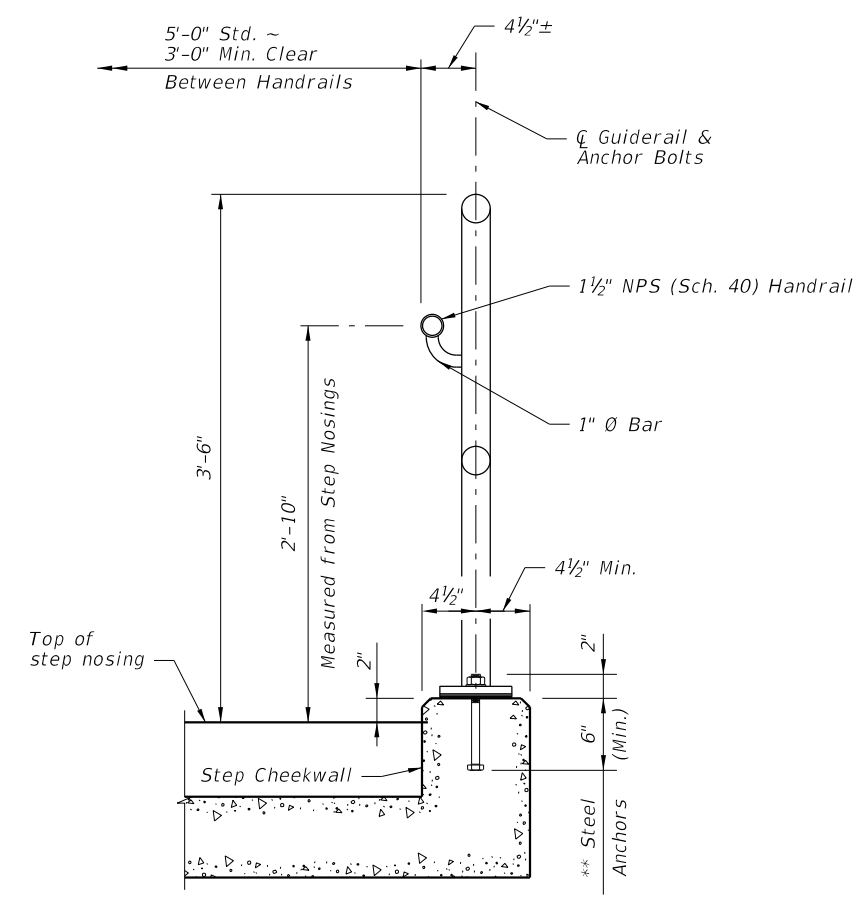
12/30/2011 9:44:56 AM r10960/h C:\projects\standards\roadway\00800-s\00800-04.dgn

LAST REVISION	REVISION	DESCRIPTION:	 FDOT DESIGN STANDARDS FY 2012/2013	STEEL PIPE GUIDERAIL	INDEX NO.	SHEET NO.
07/01/10					880	4

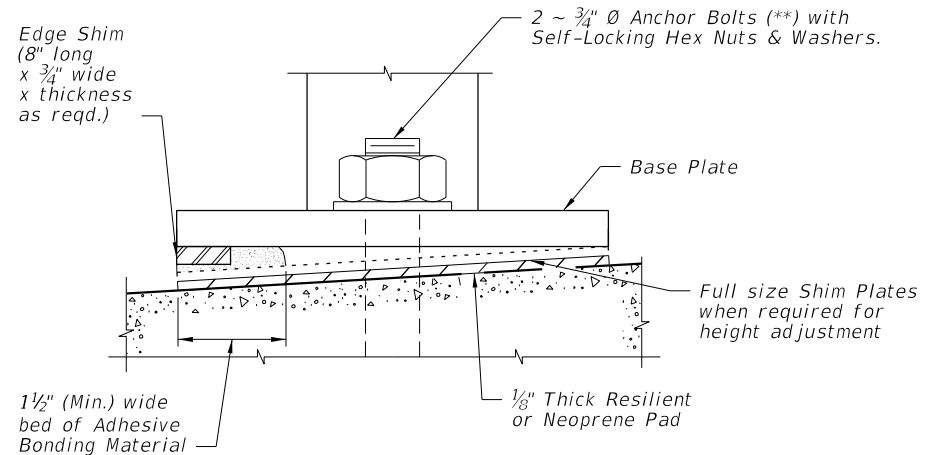


TYPICAL SECTION ON CONCRETE SIDEWALK

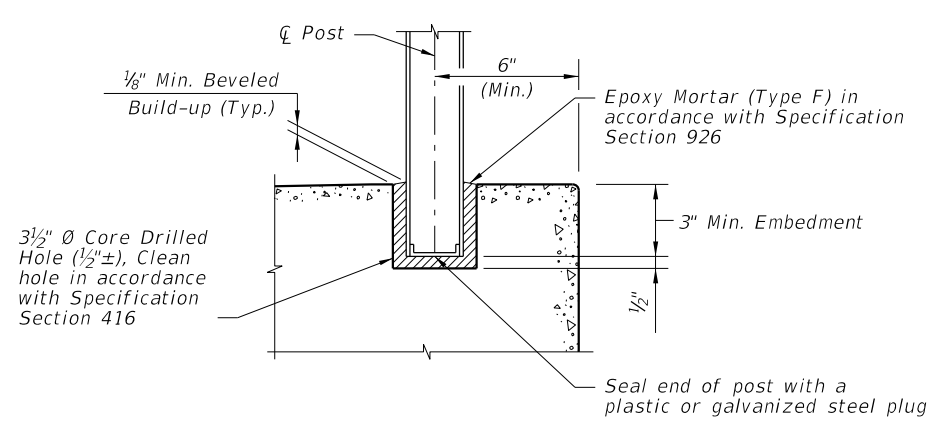
TYPICAL SECTION ON GRAVITY WALL
(Other Retaining Walls Similar)



TYPICAL SECTION ON STEPS & STAIRS



DETAIL "F" (OPTIONAL SHIMMING DETAIL FOR CROSS SLOPE CORRECTION)
(Used in lieu of Beveled Shim Plates)



OPTIONAL SIDEWALK ANCHORAGE DETAIL

NOTES:
 ** 2 ~ 3/4" Ø x 8" Steel Anchors: Galvanized Steel Bolts (As Shown) (C-I-P); Galvanized U-Bolts Permitted (C-I-P); Galvanized Adhesive Anchors Permitted (**); Expansion Anchors Not Permitted.
 *** Adhesive anchors shall be fully threaded headless anchor bolts set in drilled holes (manufacturer recommended diameter) with an Adhesive Bonding Material System in accordance with Specification Section 937 and installed in accordance with Specification Section 416. The minimum embedment is 6".

C:\projects\standards\roadway\08800-s\08800-05.dgn
 r0960/h
 9:44:56 AM
 12/30/2011

LAST REVISION	REVISION	DESCRIPTION:	 FDOT DESIGN STANDARDS FY 2012/2013	STEEL PIPE GUIDERAIL	INDEX NO.	SHEET NO.
01/01/11					880	5